

ASSEMBLY INSTRUCTIONS

BAR CHAIR

STOP! PLEASE READ FIRST:





Thank you for purchasing this item!

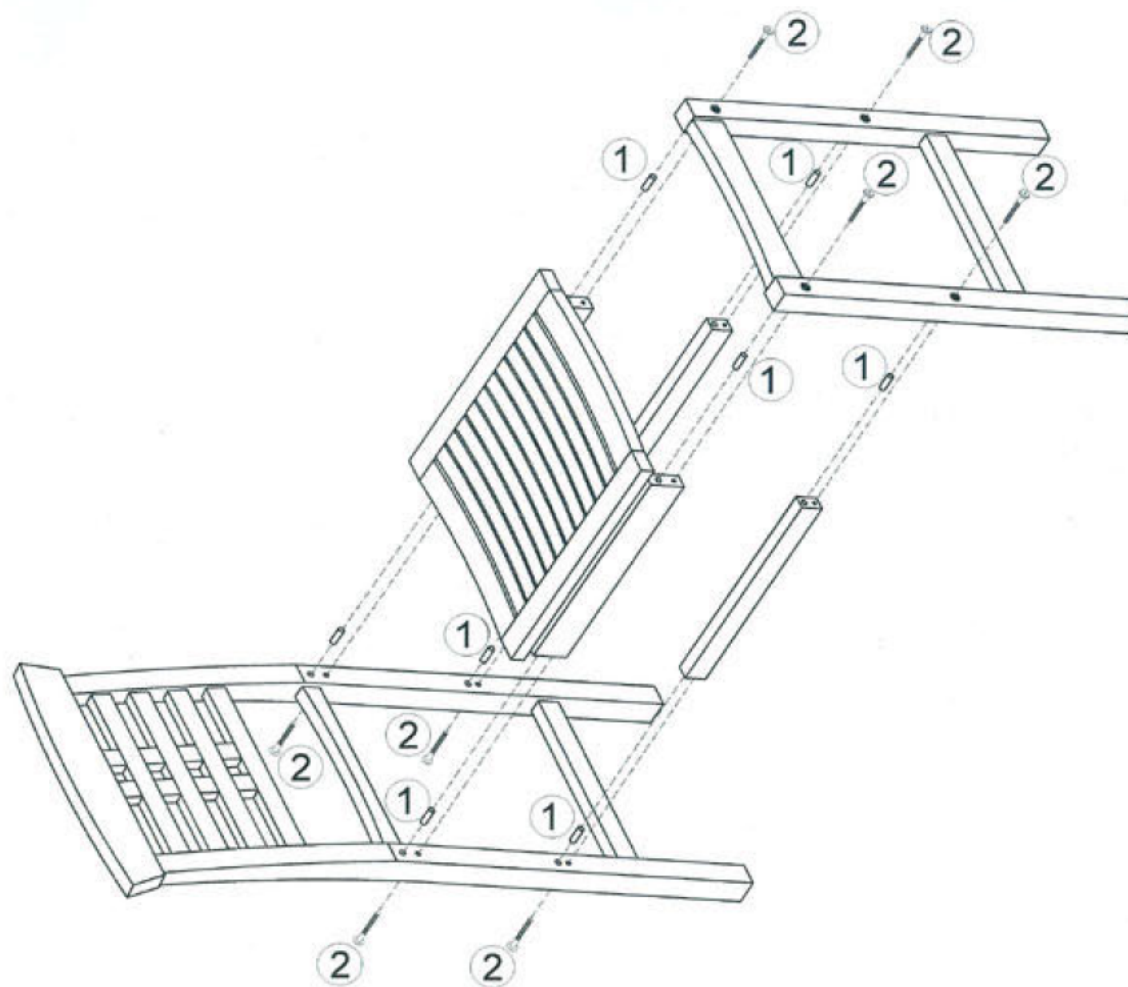
Please verify all the hardware and components are included as you unpack the carton. Place the items in a safe area to avoid loss and damaging contents. Use a soft area or the empty box to assemble the item.

ASSEMBLY TIPS: Assemble on its side while following pictured instructions. Never over-tighten any screws or bolts. It's best to assemble with 2 people.

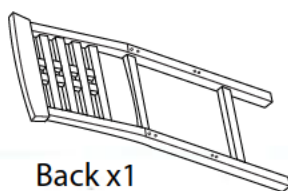
Please review the "PLEASE OIL ME" card for how to care & maintain your new furniture.

LIST OF HARDWARE

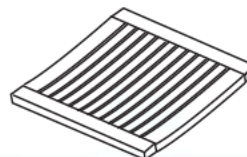
NO.	HARDWARE	QTY.
1	WOODEN DOWEL 10*40 	08
2	F - CREW 7*90 	08
3	ALLEN KEY A4 	01
4	Portable Drill Bit 	01



STEP 1
ASSEMBLE WITH THE CHAIR BACK
ON SOFT SURFACE AS SHOWN ABOVE.



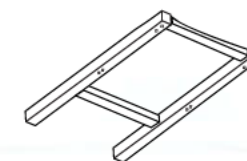
Back x1



Seat x1



x4



Leg x1