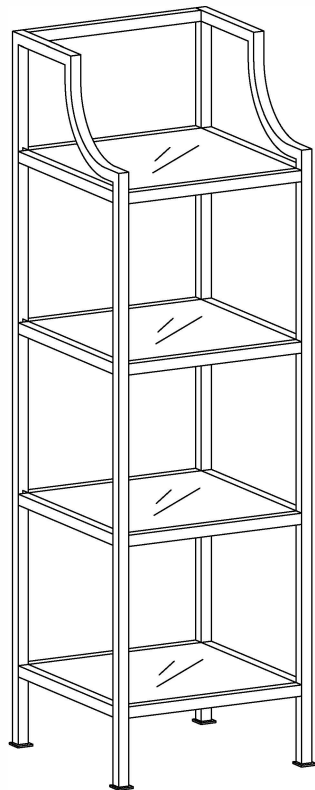
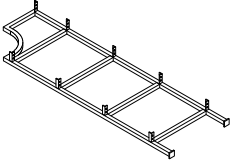
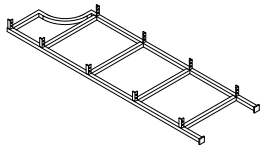
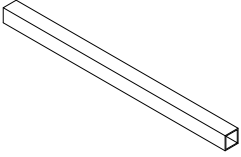
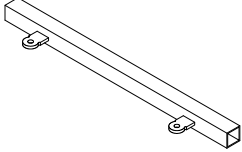
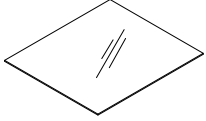


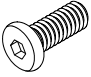


# Bookcase Etagere



# PART LIST

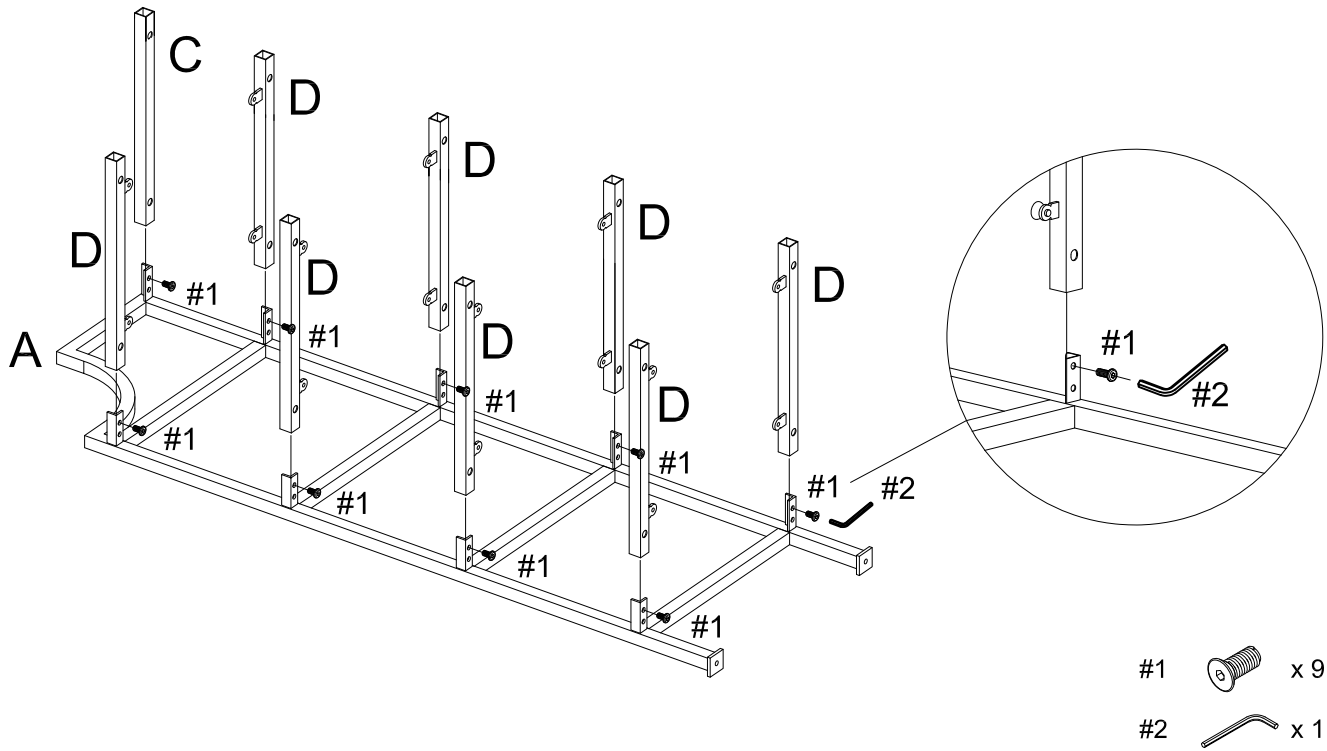
<p><b>A</b></p> 	<p><b>B</b></p> 	<p><b>C</b></p> 	<p><b>D</b></p> 	<p><b>E</b></p> 
<p>Left Frame 1 PC</p>	<p>Right Frame 1 PC</p>	<p>Cross Rail 1 PC</p>	<p>Shelf Rail 8 PCS</p>	<p>Shelf Glass 4 PCS</p>

# HARDWARE LIST

<p><b>#1</b></p>  <p>1/4" x 1/2"L</p>	<p><b>#2</b></p> 	<p><b>#3</b></p> 
<p>Bolt 18 PCS (Extra 1)</p>	<p>Allen Wrench 1 PC</p>	<p>Safety Strap Kit 1 SET</p>

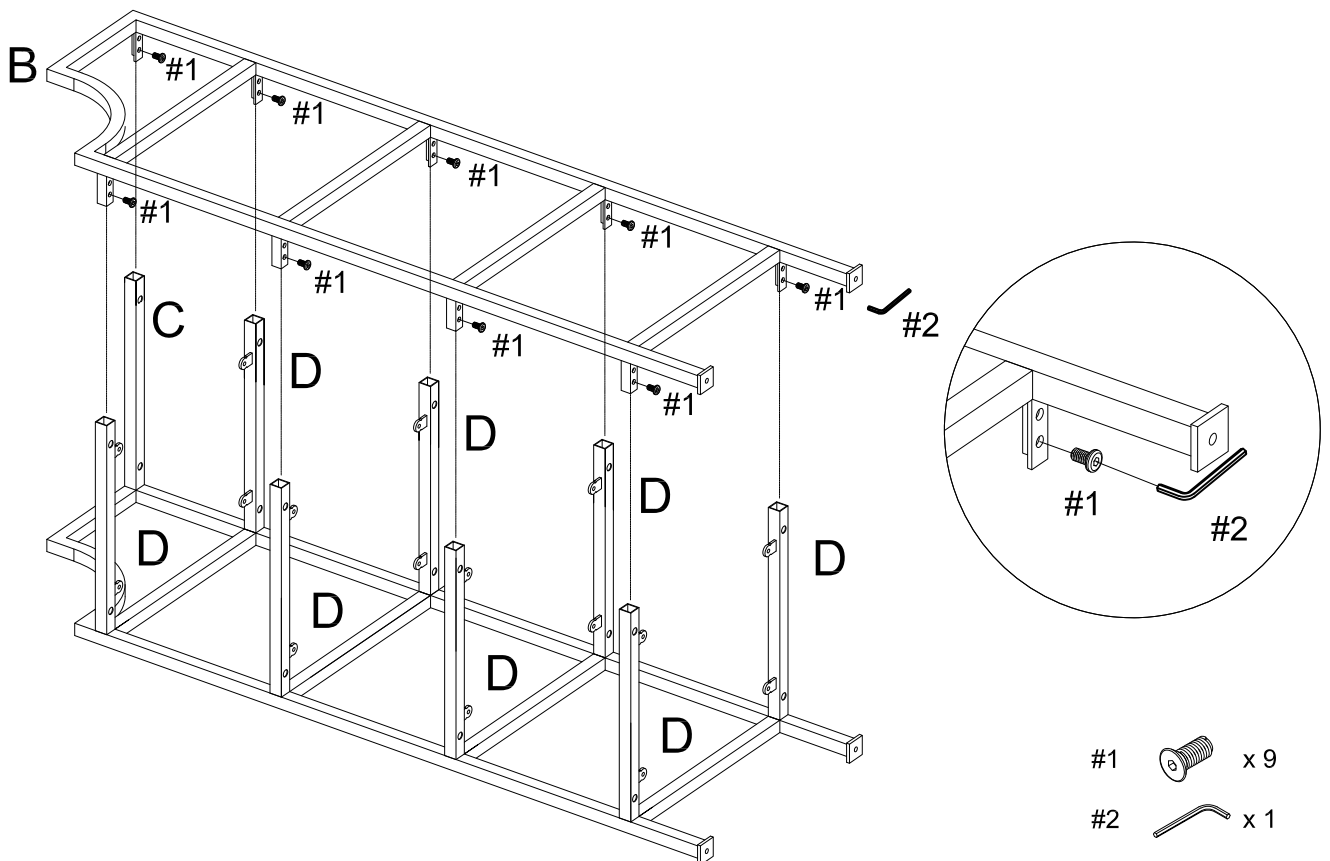
Step 1. Insert cross rail (part C) and shelf rails (part D) into left frame (part A) using bolts (part #1) and allen wrench (part #2).

Note: Please do not fully tighten bolts at this time.



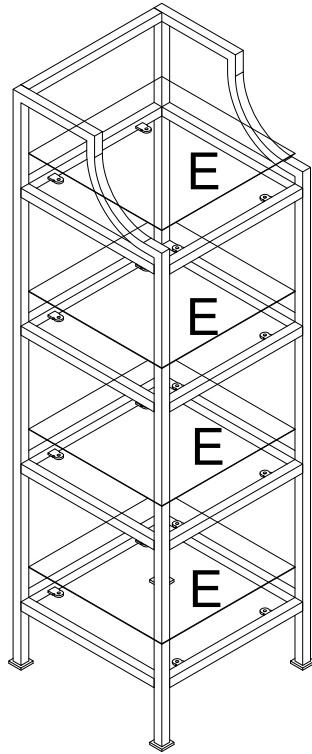
Step 2. Attach right frame (part B) into cross rail (part C) and shelf rails (part D) using bolts (part #1) and allen wrench (part #2).


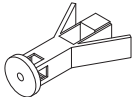




Note: Please fully tighten bolts at this time.



Step 3. Carefully turn unit upright. Install shelf glasses (part E) into shelf frames.

Important: Safety strap kit (part #3) must be installed to prevent tipping, damage and / or injury.



#3	A	B	C	D	E
					
Safety Strap Kit 1 SET	Wall Anchor 1 PC	Hook 2 PCS	Screw 1 PC D8 x 1-1/2"	Bolt 1 PC D10 x 1/2"	Safety Wall Strap 1 PC

## SAFETY WALL STRAP INSTALLATION

Note: It is highly recommended to install this safety strap kit to prevent tipping, damage and/or injury.

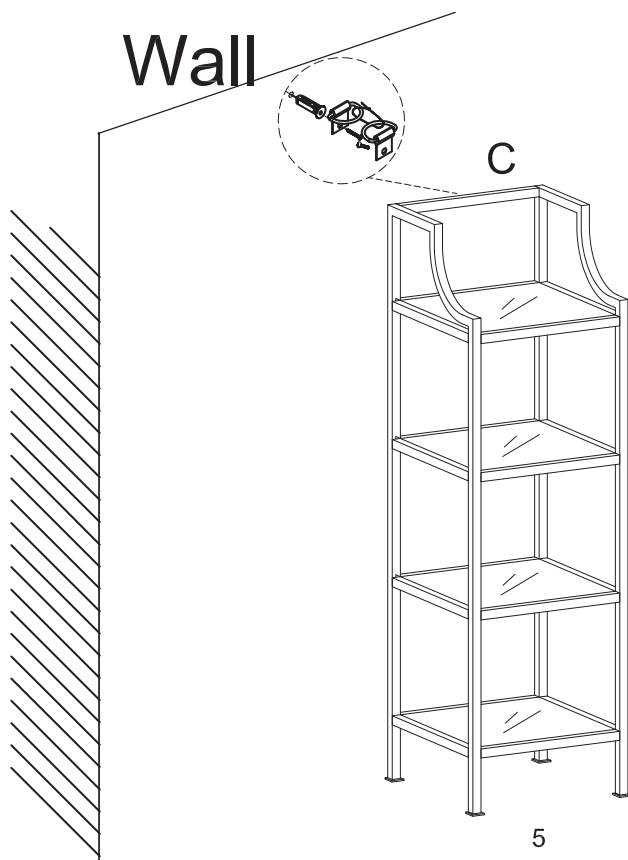
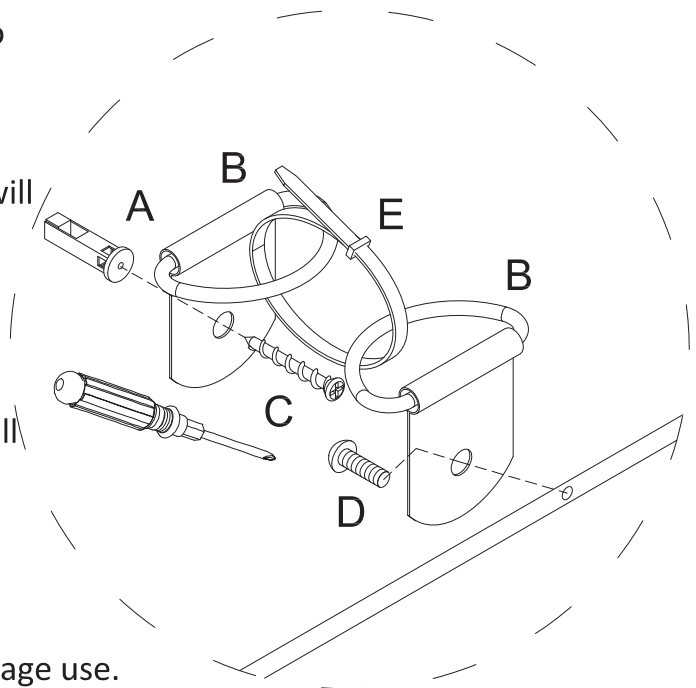
1) Insert bolt (D) through hook (B) and attach to predrilled hole in top cross rail (part C) using a philips head screwdriver.

2) Drill 11/32" hole in the wall where this unit will be secured. The drilled hole will be at the same height as the hole in top cross rail (part C) where hook (B) was attached. Tap wall anchor (A) into the drilled hole.

3) Insert screw (C) through hook (B) into the wall anchor (A) using a philips head screwdriver.

4) Insert safety wall strap (E) through both hooks (B) and tighten to secure.

Note: This item is not intended for clothing storage use.



**⚠ WARNING**




**⚠ WARNING**

Children have died from furniture tipover. To reduce the risk of furniture tipover:

- ALWAYS install tipover restraint provided.
- NEVER put a TV on this product.
- NEVER allow children to stand, climb or hang on drawers, doors, or shelves.
- NEVER open more than one drawer at a time.
- Place heaviest items in the lowest drawers.

*This is a permanent label. Do not remove!*