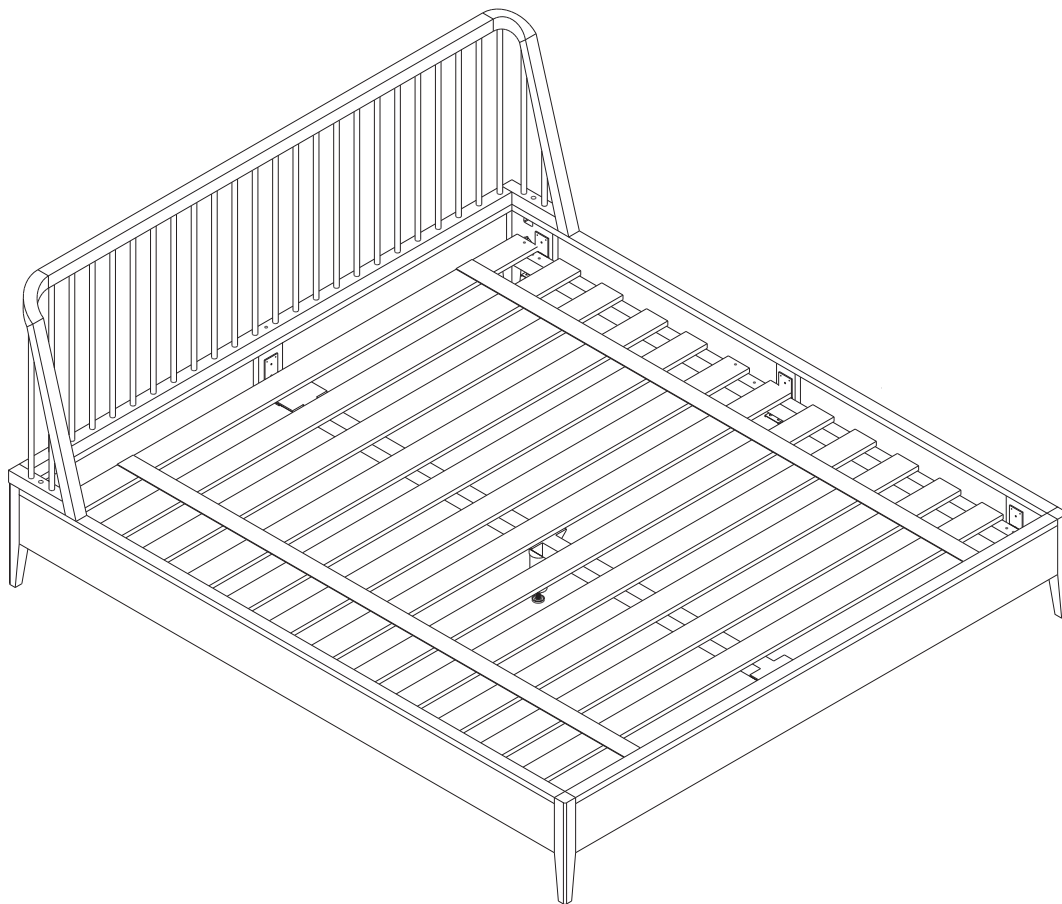


ASSEMBLY INSTRUCTIONS FOR BED INSTALLATION

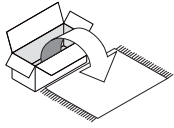
SPINDLE BED - QUEEN SIZE - WITH SLATS

CODE	DESCRIPTION
51249	OAK SPINDLE BED - US QUEEN SIZE - WITH SLATS 153/203/97
45189	WALNUT SPINDLE BED - US QUEEN SIZE - WITH SLATS 153/203/97



SPINDLE BED - QUEEN SIZE - WITH SLATS ASSEMBLY INSTRUCTIONS FOR BED INSTALLATION

NOTE

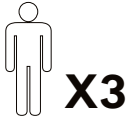


CAREFULLY OPEN THE CARTON, REMOVE CONTENTS AND LAY OUT ON CARPET OR THE PACKAGING CARTON BOX OR OTHER PROTECTIVE SURFACE TO AVOID DAMAGE.

CHECK PACKAGE CONTENTS TO ASSURE ALL THE NECESSARY HARDWARE AND PARTS ARE RECEIVED UNDAMAGE. DO NOT USE DAMAGED OR DEFECTIVE PARTS/ HARDWARE. CONTACT ETHNICRAFT FOR ANY MISSING PART AND OR HARDWARE.

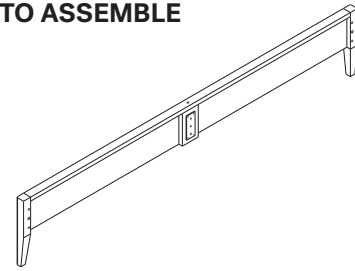


READ THE ASSEMBLY INSTRUCTION BEFORE INSTALLATION AND CAREFULLY FOLLOW THE INSTRUCTION GIVEN. SEEK THE ADVICE OF A PROFESSIONAL IF YOU ARE NOT FAMILIAR WITH THESE INSTALLATION OR HAVE ANY DOUBTS ABOUT THE SAFETY OF THIS INSTALLATION.



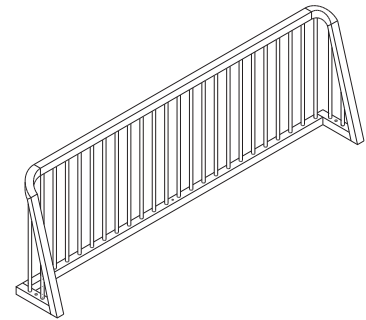
IT IS ADVISABLE TO DO THIS ASSEMBLY WITH MINIMUM OF 3 PERSONS.

PARTS TO ASSEMBLE



(A) HEADBOARD 1piece

CODE	DESCRIPTION
P4538	OAK HEADBOARD FOR US QUEEN BED
P7113	WALNUT HEADBOARD FOR US QUEEN BED



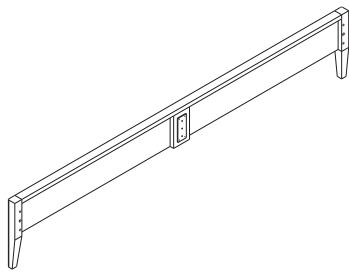
(B) BED HEAD 1piece

CODE	DESCRIPTION
P4541	OAK BED HEAD FOR US QUEEN BED
P7116	WALNUT BED HEAD FOR QUEEN BED



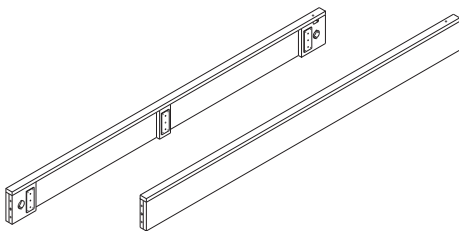
(F) CENTER LEG 1piece

CODE	DESCRIPTION
H1261	CENTER LEG FOR US BED



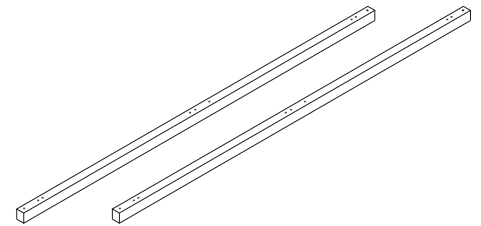
(C) FOOTBOARD 1piece

CODE	DESCRIPTION
P4540	OAK FOOTBOARD FOR US QUEEN BED
P7115	WALNUT FOOTBOARD FOR US QUEEN BED



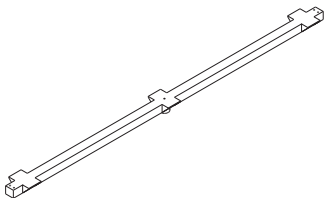
(D) SIDERAIL 1set (left & right)

CODE	DESCRIPTION
P4539	OAK SIDERAIL FOR US BED
P7114	WALNUT SIDERAIL FOR US BED



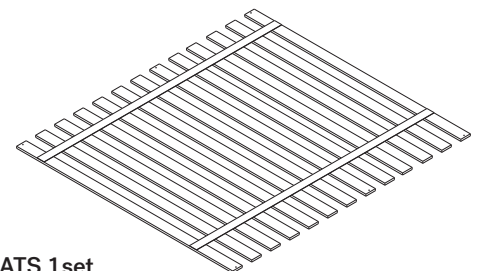
(G) SLATS SUPPORTS 1set (left & right)

CODE	DESCRIPTION
P4584	SLATS SUPPORT FOR US QUEEN BED



(E) CENTER SUPPORT 1piece

CODE	DESCRIPTION
H1166	CENTER SUPPORT FOR US BED


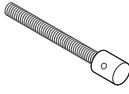
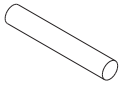
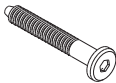

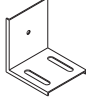


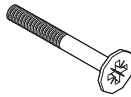






(H) SLATS 1set

CODE	DESCRIPTION
P8012	MAESOPSIS SLATS FOR AU/US QUEEN BED

SPINDLE BED - QUEEN SIZE - WITH SLATS
ASSEMBLY INSTRUCTIONS FOR BED INSTALLATION

HARDWARE ENCLOSED

 H0667 HALFMOON WASHER (4pcs)	 H0666 HALFMOON BOLT M8x100 (4pcs)	 H0308 DOWEL Ø12x50 mm (8pcs)	 H0742 JCBC SCREW M6x70 (3pcs)	 H0228 LONG NUT M6 (2pcs)
 H0951 L BRACKET (8pcs)	 H0949 JCBC SCREW M6x6 (8pcs)	 H0757 JF SCREW M6x50 (5pcs)	 H0747 JF SCREW M6x80 (18pcs)	
 H0987 SPRING WASHER M6 (2pcs)	 H0307 WASHER M6x18 (2pcs)	 H0744 WASHER M6 (22pcs)	 H0746 NUT M6 (22pcs)	

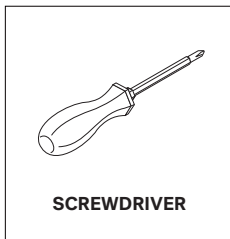
TOOLS

(Included in packaged)

 H0865 L KEY	 H0741 HALFMOON KEY	 H0875 WRENCH
---	--	--

TOOL

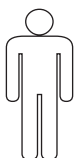
(Not included in packaged)



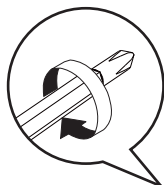
SYMBOLS



DIRECTION



NUMBER OF
PERSONS NEEDED



USE SCREWDRIVER
TO TIGHTEN



USE WRENCH
TO TIGHTEN



USE L KEY
TO TIGHTEN



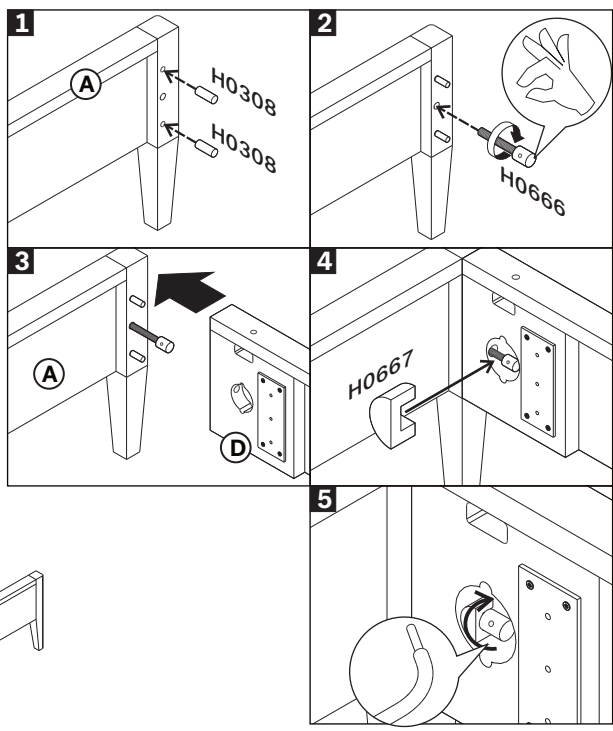
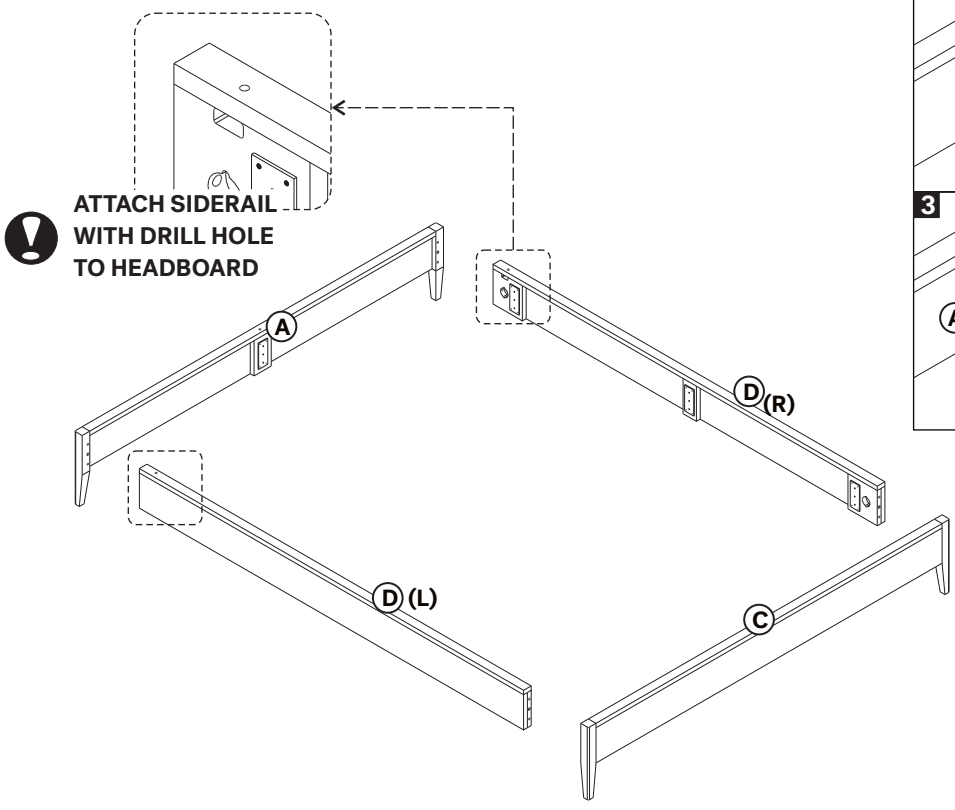
USE HAND



USE HALFMOON KEY
TO TIGHTEN

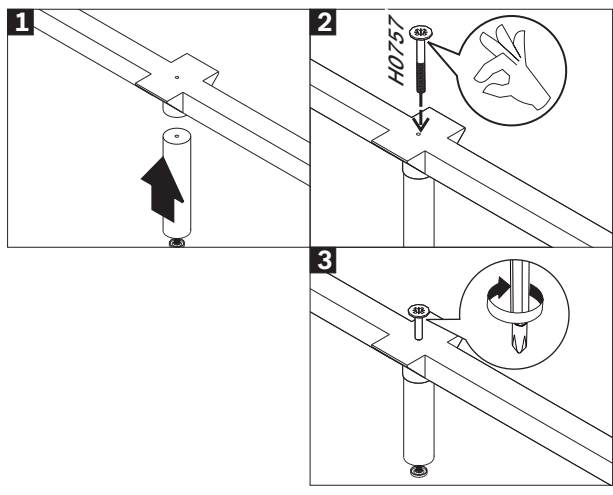
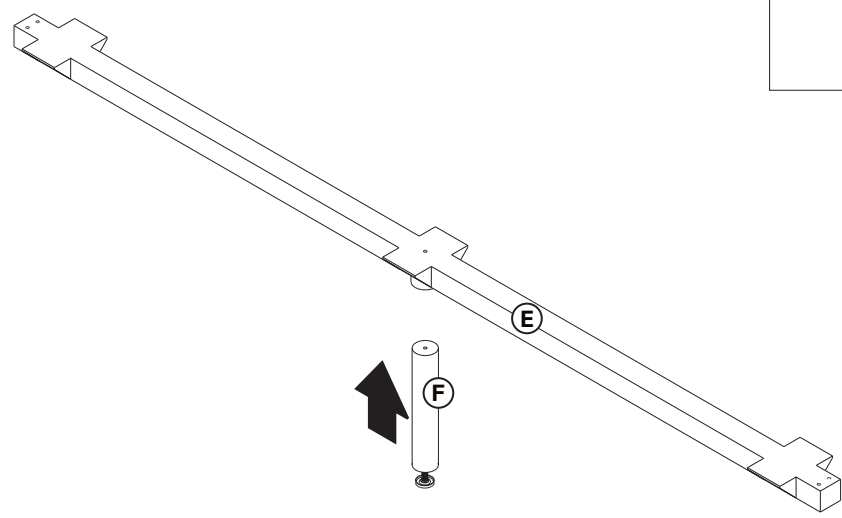
SPINDLE BED - QUEEN SIZE - WITH SLATS
 ASSEMBLY INSTRUCTIONS FOR BED INSTALLATION

A. CONNECTING SIDERAIL AND HEAD / FOOTBOARD



- USE DOWEL Ø12x50 (8X)
- USE HALFMOON BOLT M8x100 (4X)
- USE HALFMOON WASHER (4X)
- TIGHTEN FULLY

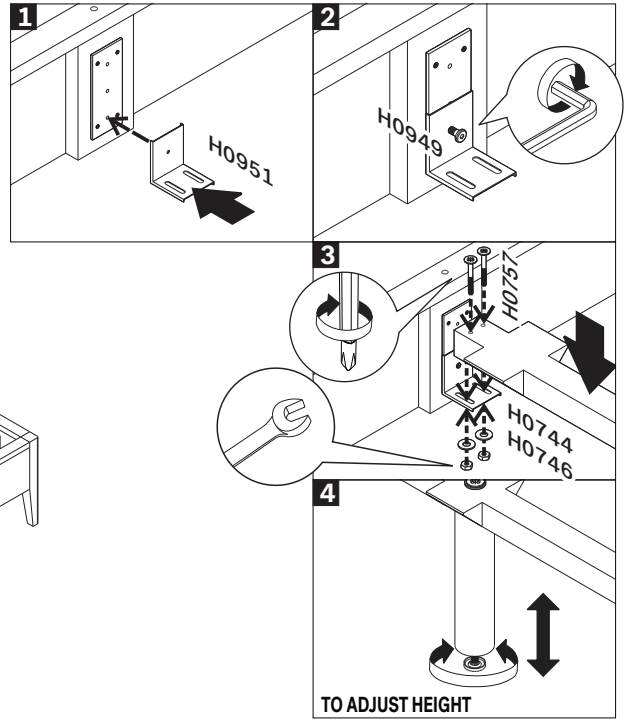
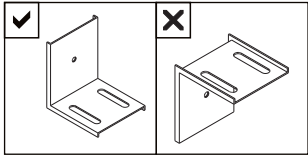
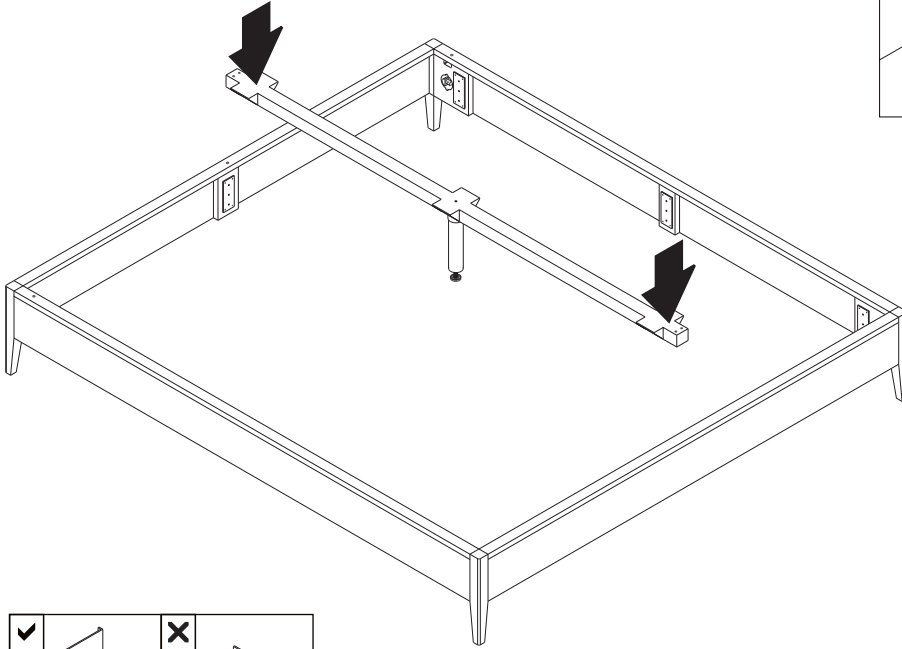
B. CONNECTING CENTER LEG TO CENTER SUPPORT



- USE JF SCREW M6x50 (1X)
- TIGHTEN FULLY

SPINDLE BED - QUEEN SIZE - WITH SLATS
ASSEMBLY INSTRUCTIONS FOR BED INSTALLATION

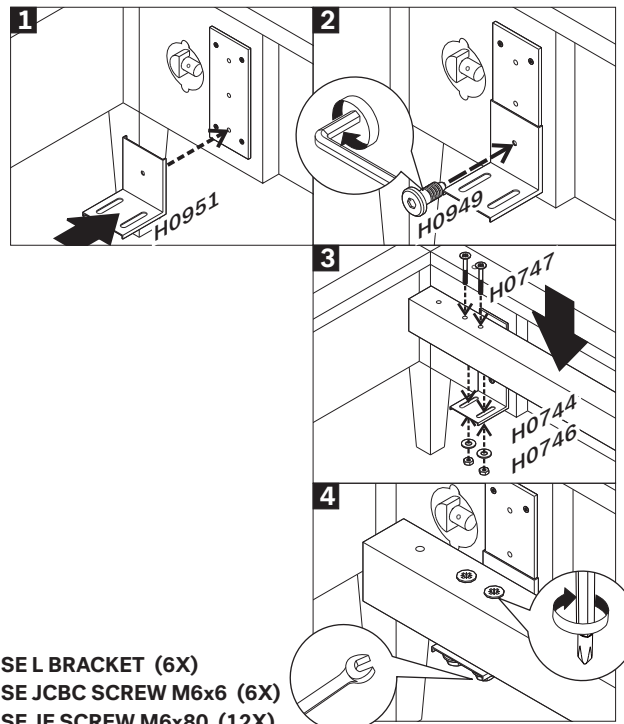
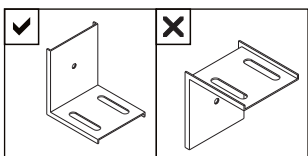
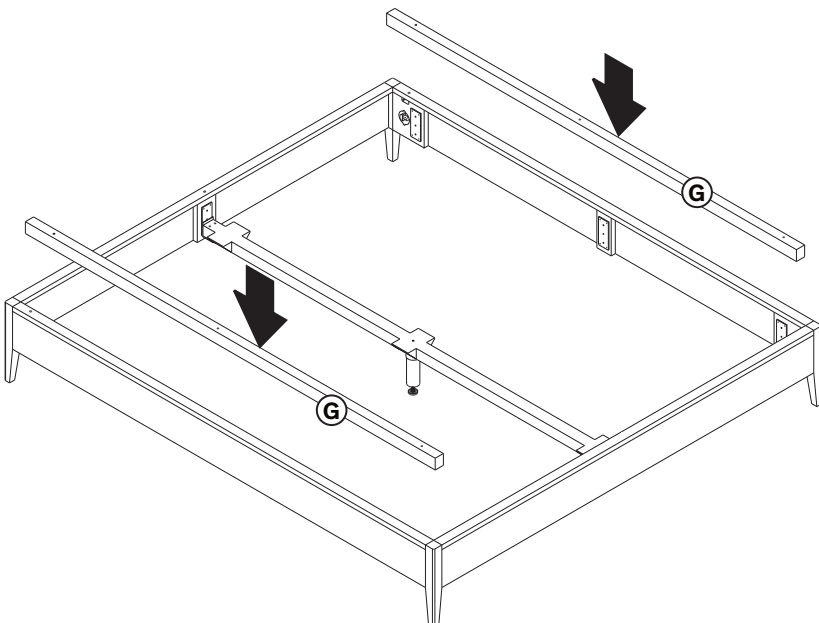
C. INSTALLING CENTER SUPPORT



- USE L BRACKET (2X)
- USE JCBC SCREW M6x6 (2X)
- USE JF SCREW M6x50 (4X)
- USE WASHER M6 (4X)
- USE NUT M6 (4X)
- TIGHTEN FULLY ALL SCREWS



D. INSTALLING SLAT SUPPORTS



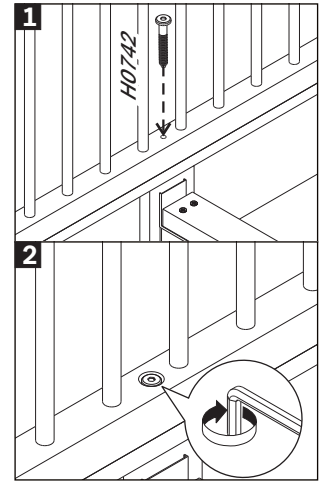
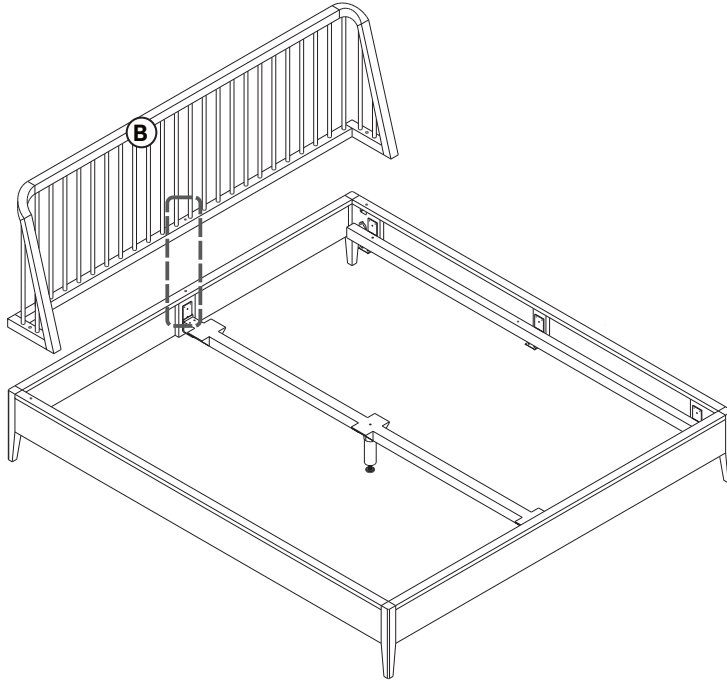
- USE L BRACKET (6X)
- USE JCBC SCREW M6x6 (6X)
- USE JF SCREW M6x80 (12X)
- USE WASHER M6 (12X)
- USE NUT M6 (12X)
- TIGHTEN FULLY ALL SCREWS
- INSTALLING SLAT SUPPORTS AT THE SAME LEVEL WITH CENTER SUPPORT



SPINDLE BED - QUEEN SIZE - WITH SLATS ASSEMBLY INSTRUCTIONS FOR BED INSTALLATION

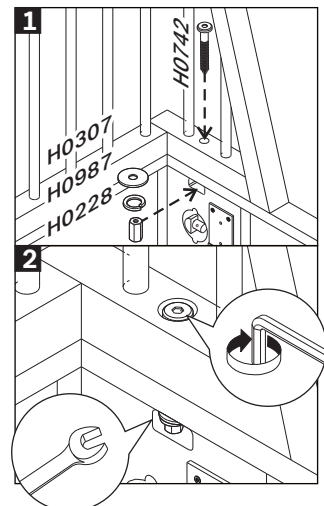
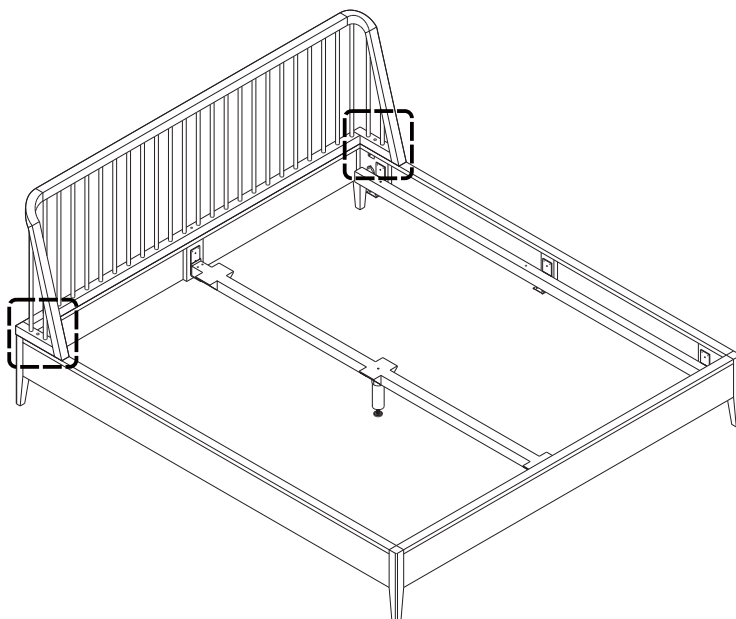
E. INSTALLING BED HEAD

INSTALL SCREW ON THE MIDDLE SIDE FIRST



- USE JCBC SCREW M6x70 (1X)
- DO NOT FULLY TIGHTEN

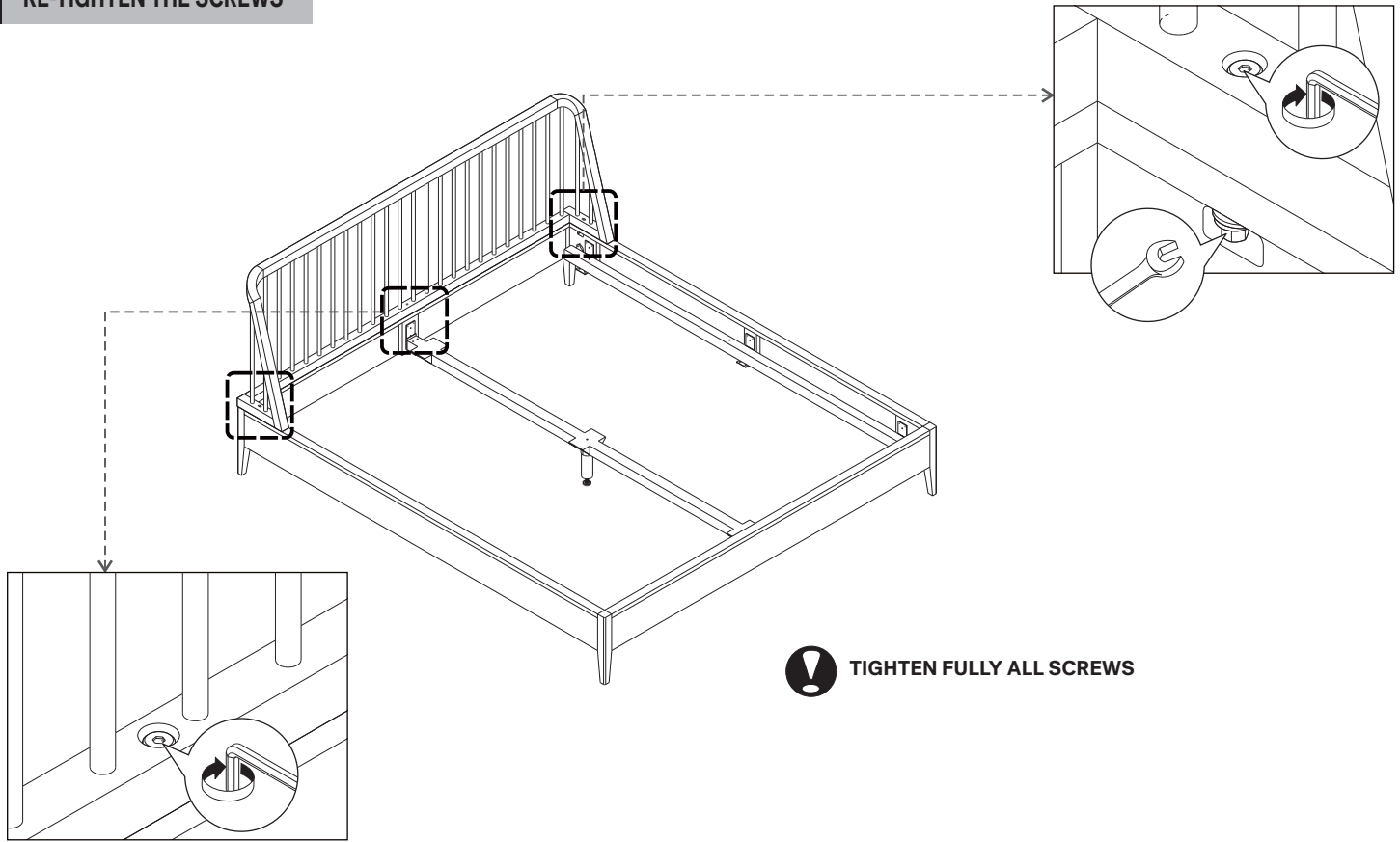
THEN INSTALL SCREW ON THE OTHER SIDE



- USE JCBC SCREW M6x70 (2X)
- USE WASHER M6x18 (2X)
- USE SPRING WASHER M6 (2X)
- USE LONG NUT M6 (2X)
- DO NOT FULLY TIGHTEN

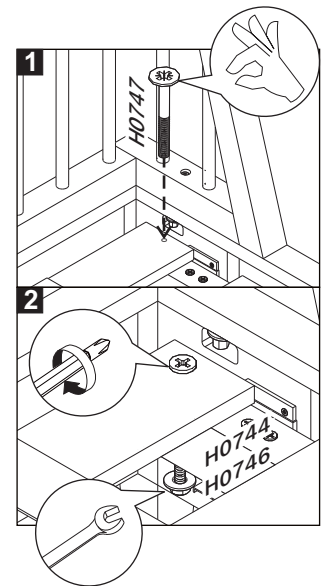
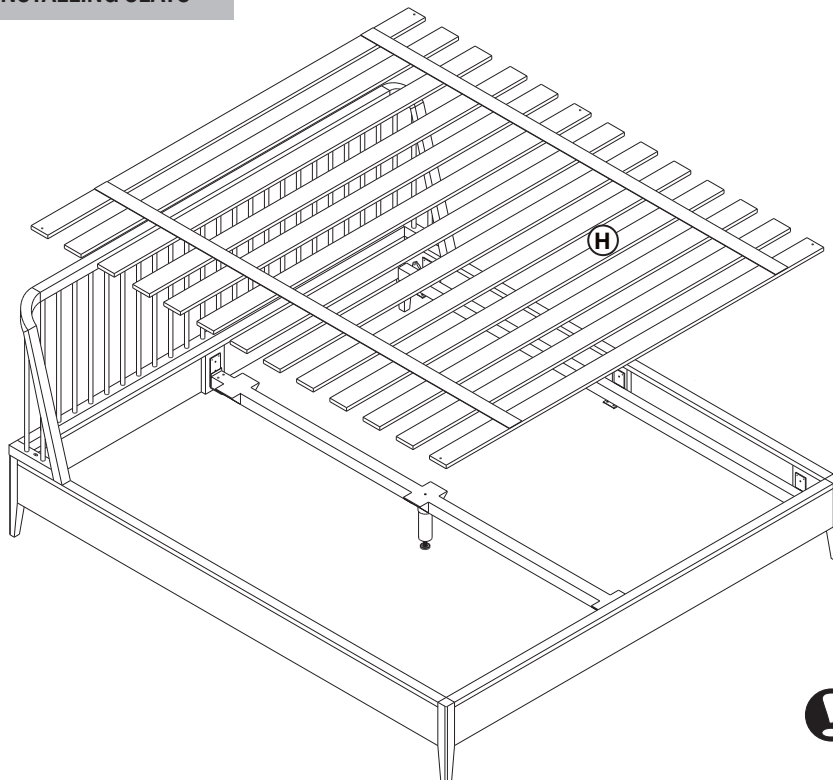
SPINDLE BED - QUEEN SIZE - WITH SLATS
ASSEMBLY INSTRUCTIONS FOR BED INSTALLATION

F. RE-TIGHTEN THE SCREWS



! TIGHTEN FULLY ALL SCREWS

G. INSTALLING SLATS



- USE JF SCREW M6x80 (6X)
- USE WASHER M6 (6X)
- USE NUT M6 (6X)
- SLATS TO BE ASSEMBLED ARE NUMBER 1, 6, AND 13
- TIGHTEN FULLY ALL SCREWS