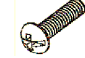

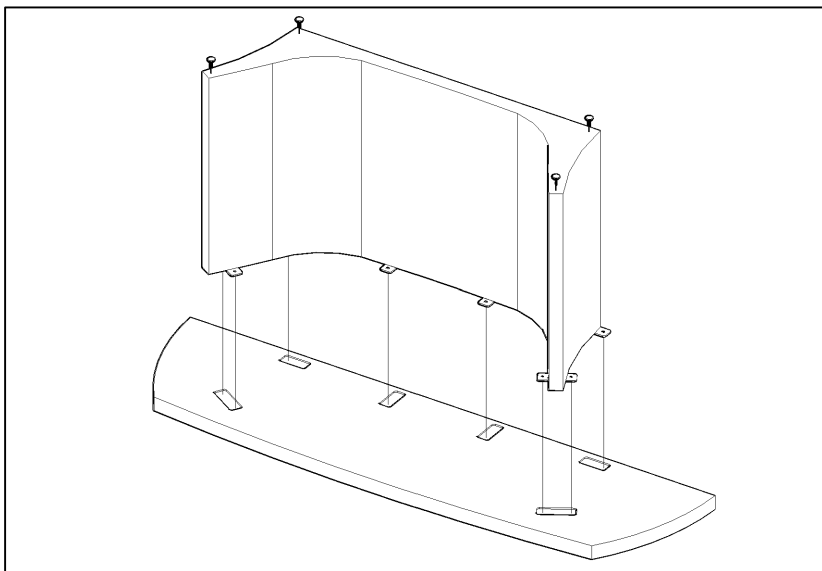


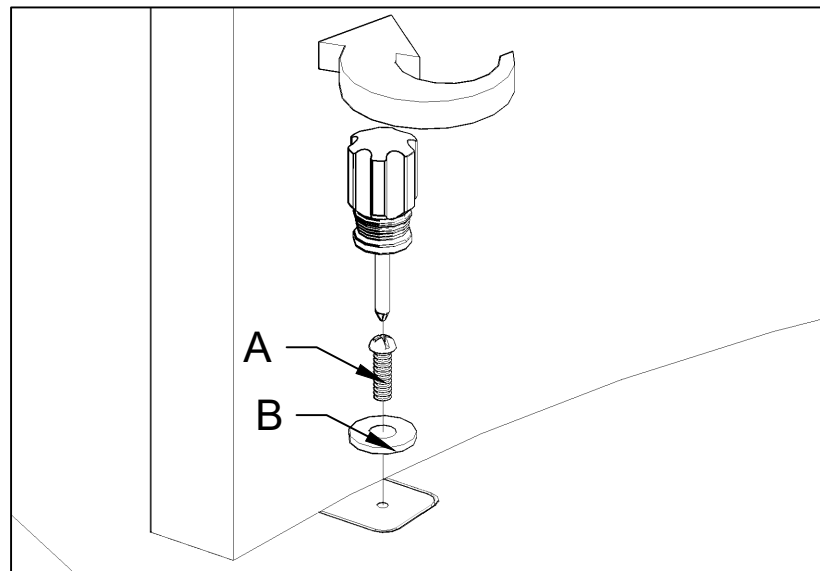
Console Table

	Description	Quantity	Image
A	Bolt $\frac{1}{4}$ " x 1"	8	
B	Washer $\frac{1}{4}$ "	8	

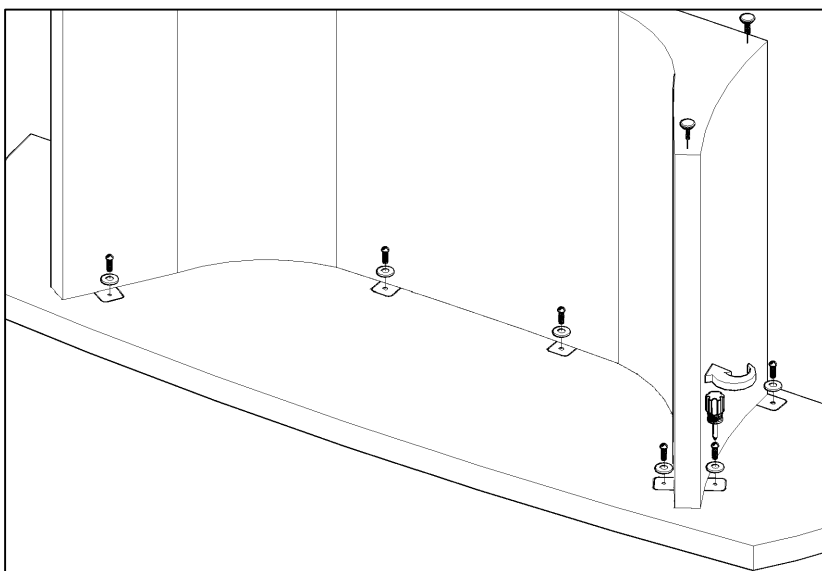
1



3



2



4

