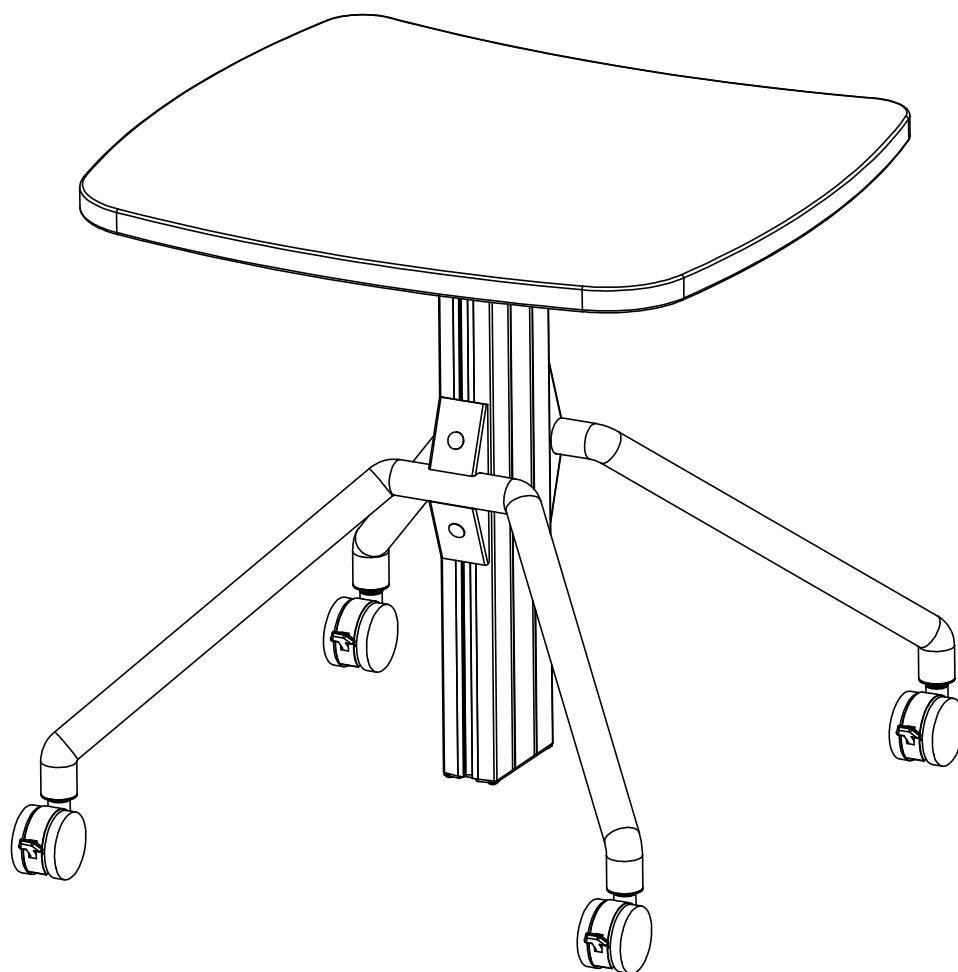




Replace Gas Lift Glides With Casters



Replace Gas Lift Glides With Casters

 Pliers or Vise-Grip

Tools Required

 11/16" Wrench

