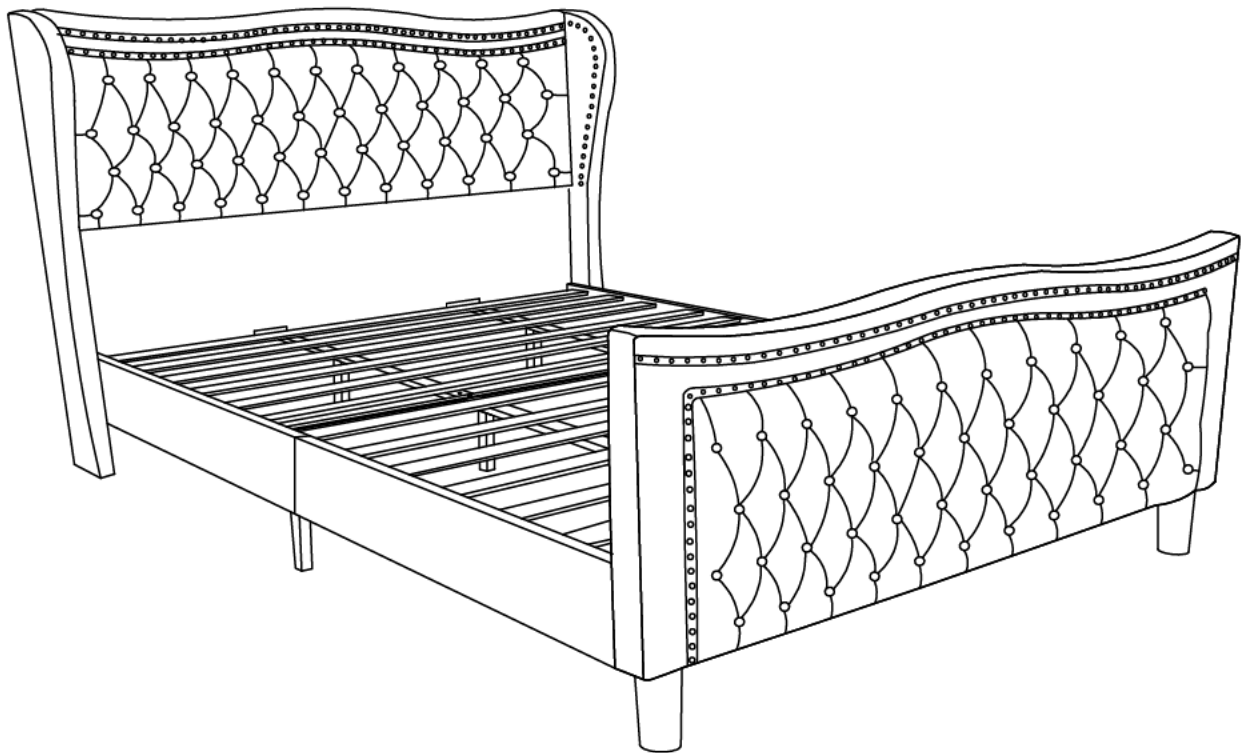


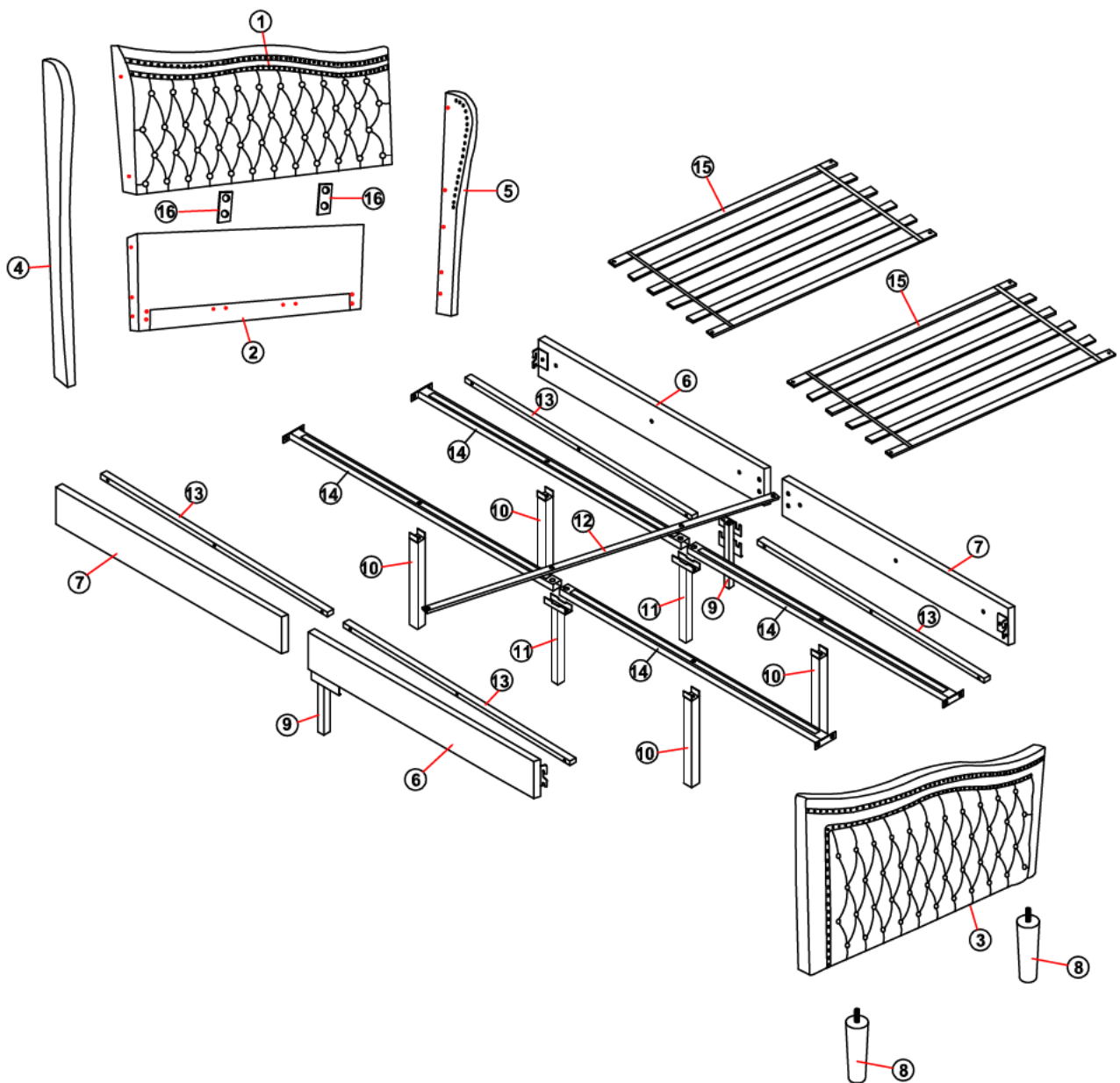
# ASSEMBLY INSTRUCTIONS



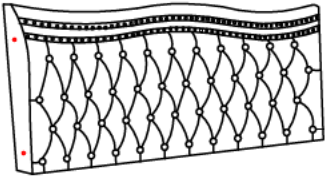
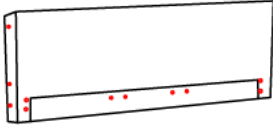
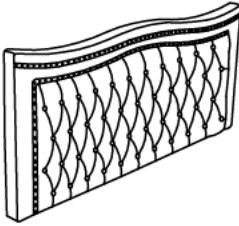


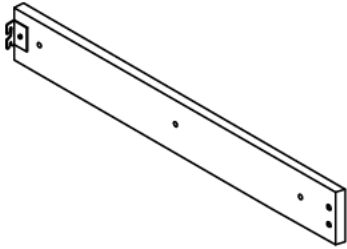
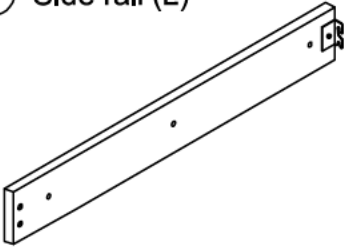



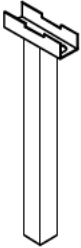

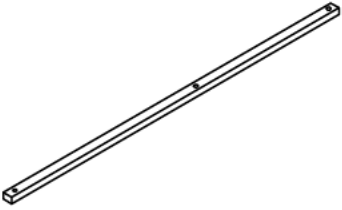

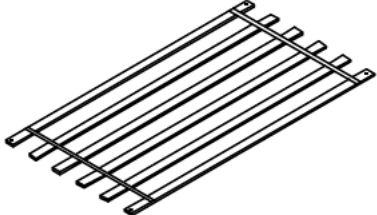
**IMPORTANT NOTE:**

- ① PLACE ALL PARTS ON A CLEAN AND SMOOTH SURFACE SUCH AS A RUG OR CARPET TO AVOID THE PARTS FROM BEING SCRATCHED.
- ② BEFORE YOU BEGIN, KINDLY FOLLOW THE ASSEMBLY INSTRUCTIONS STEP BY STEP.
- ③ DO NOT TIGHTEN ALL SCREWS AND BOLTS UNTIL THE CHAIR IS FULLY SET-UP.

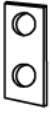
# Explosive view











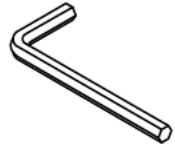
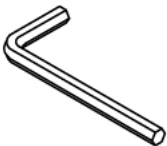
# Parts List

<p>① Headboard Panel (TOP)</p>  <p>1PC</p>	<p>② Headboard Panel (Dwon)</p>  <p>1PC</p>	<p>③ Footboard</p>  <p>1PC</p>
<p>④ Headboard Ear (L)</p>  <p>1PC</p>	<p>⑤ Headboard Ear (R)</p>  <p>1PC</p>	<p>⑥ Side rail (R)</p>  <p>2PCS</p>
<p>⑦ Side rail (L)</p>  <p>2PCS</p>	<p>⑧ Footboard feet</p>  <p>2PCS</p>	<p>⑨ Side rail feet</p>  <p>2PCS</p>
<p>⑩ Support let</p>  <p>4PCS</p>	<p>⑪ Center support let</p>  <p>2PCS</p>	<p>⑫ Center crossband</p>  <p>1PC</p>
<p>⑬ Side rail support</p>  <p>4PCS</p>	<p>⑭ Center support rail</p>  <p>4PCS</p>	<p>⑮ Slats</p>  <p>2PCS</p>

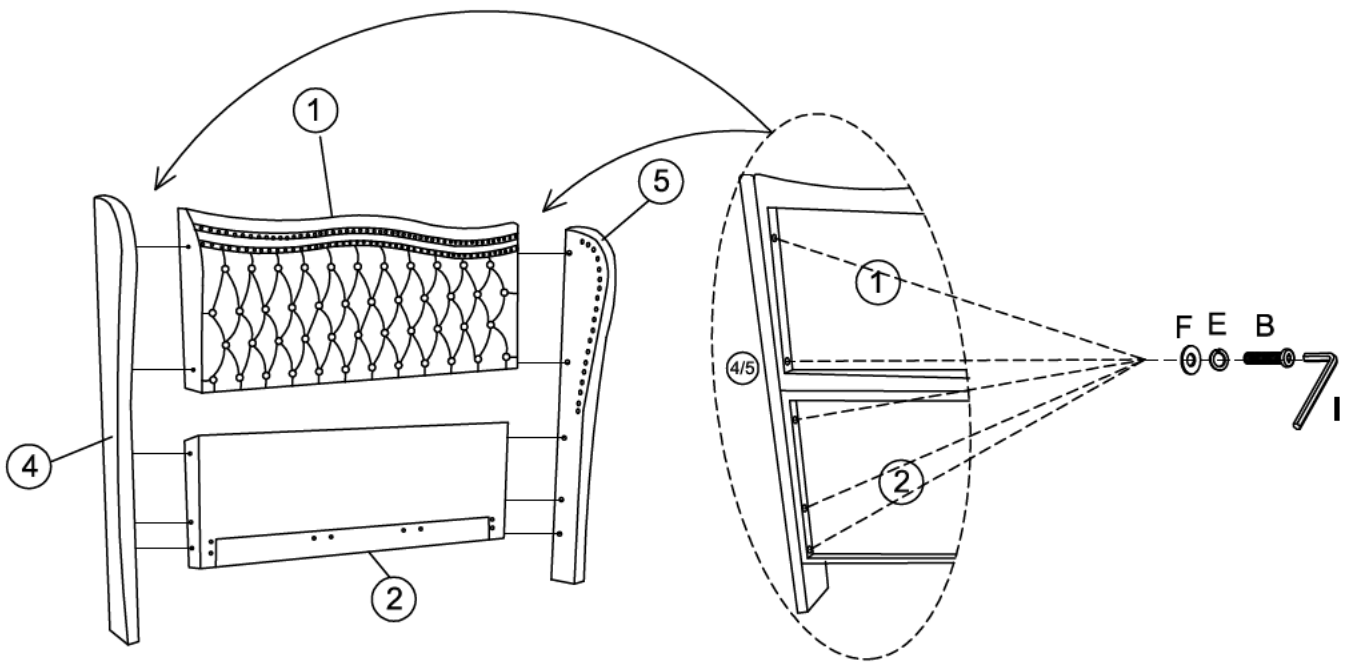
## Parts List

<p>①6 Connecting iron</p> 	<p>2PCS</p>
---	-------------

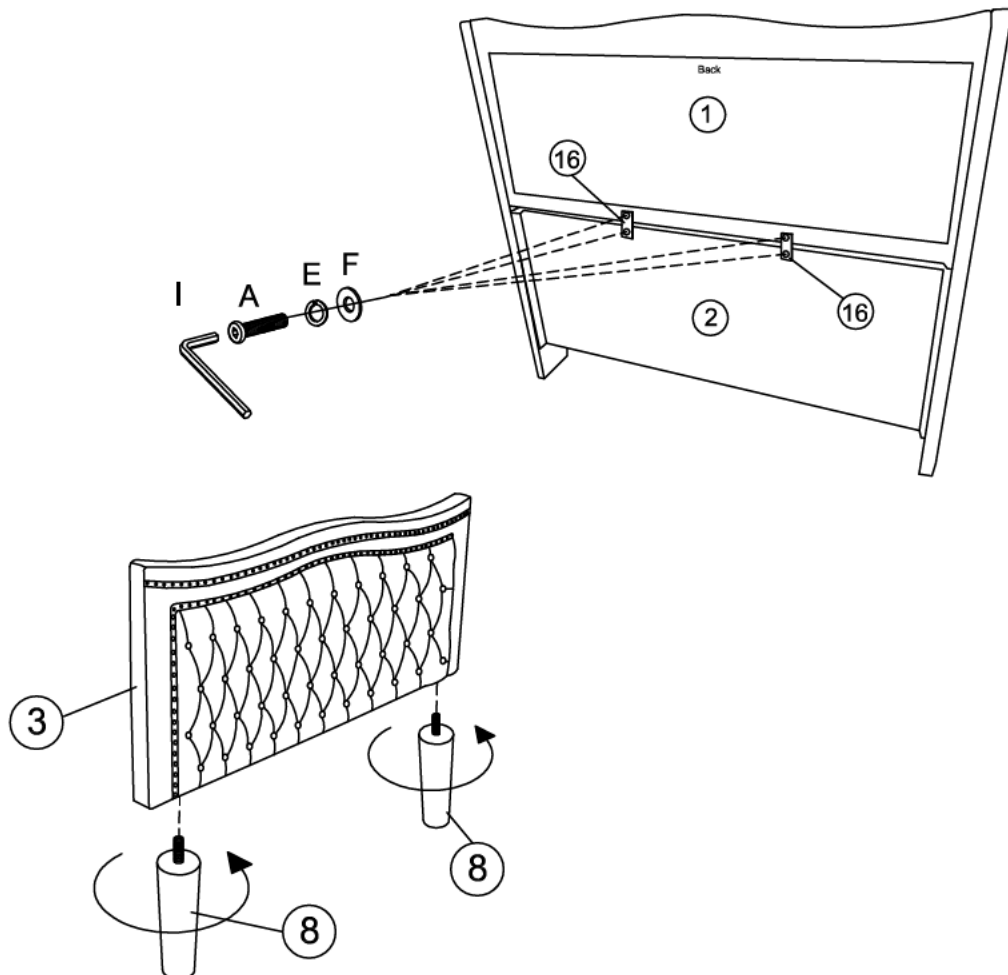
## Hardware List

<p>A</p>  <p>Ø5/16"×25mm</p> <p>20+1PCS</p>	<p>B</p>  <p>Ø5/16"×40mm</p> <p>22+1PCS</p>	<p>C</p>  <p>Ø1/4"×15mm</p> <p>8+1PCS</p>
<p>D</p>  <p>Ø1/4"×38mm</p> <p>12+1PCS</p>	<p>E</p>  <p>Ø5/16"×13</p> <p>42+1PCS</p>	<p>F</p>  <p>Ø5/16"×19</p> <p>42+1PCS</p>
<p>G</p>  <p>Ø1/4"×16</p> <p>20+1PCS</p>	<p>H</p>  <p>M4×25</p> <p>8+1PCS</p>	<p>I</p>  <p>Ø5/16"</p> <p>1PC</p>
<p>J</p>  <p>Ø1/4"</p> <p>1PC</p>		

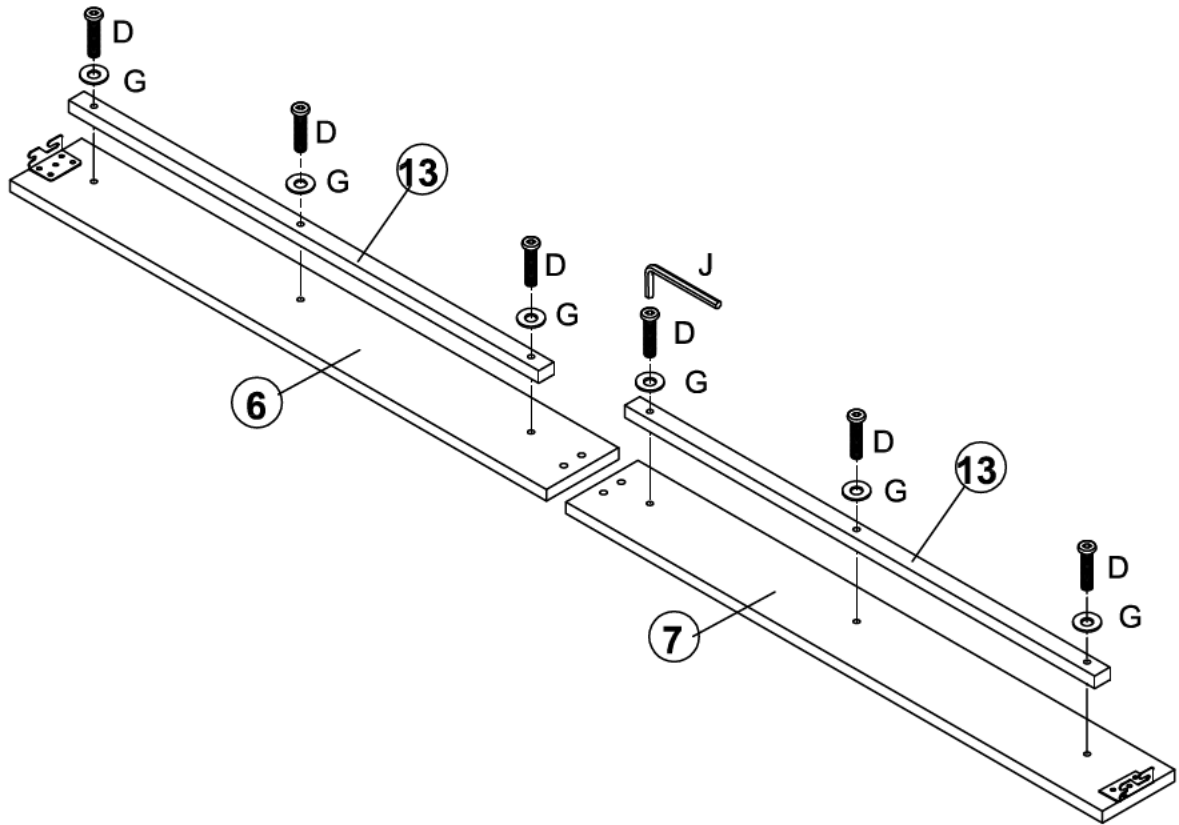
# STEP 1



# STEP 2

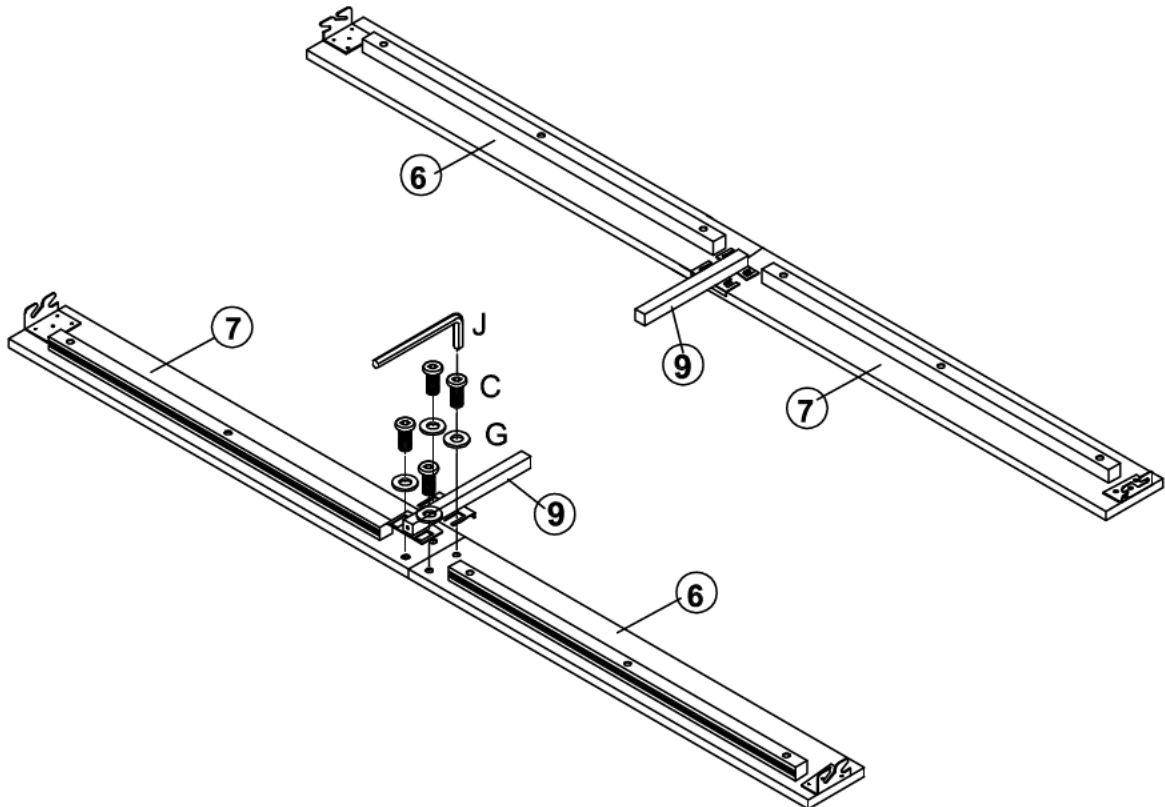


### STEP 3

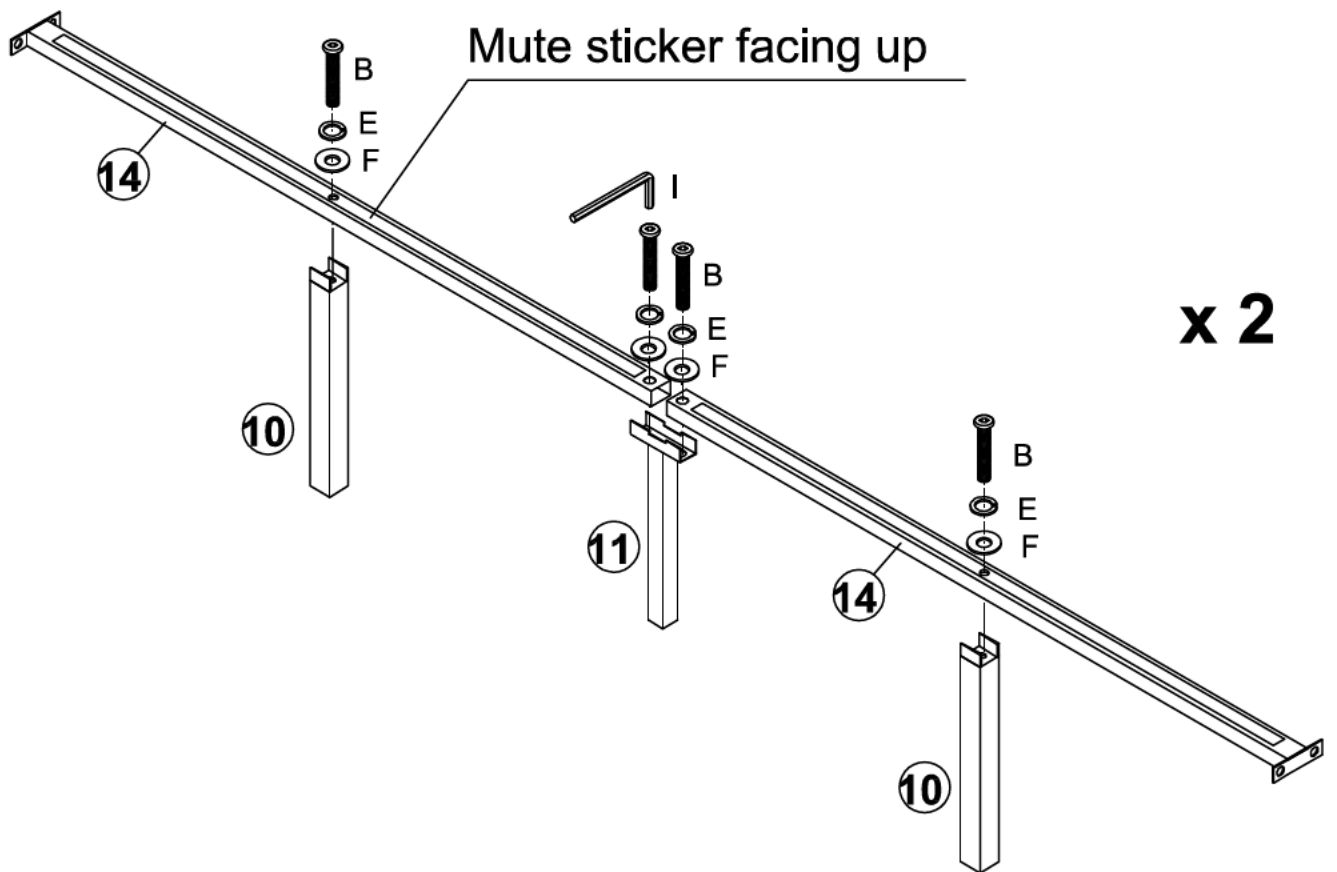


X 2

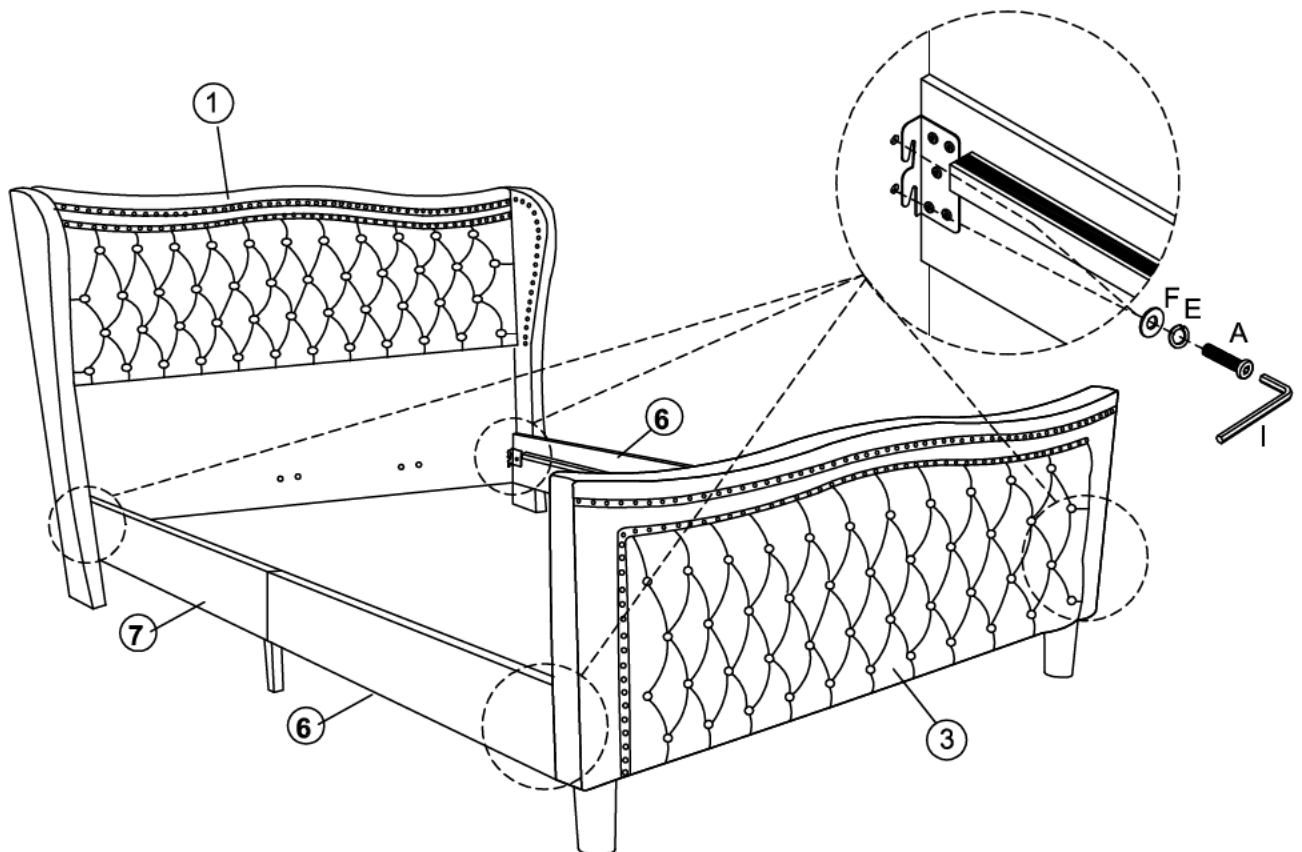
### STEP 4



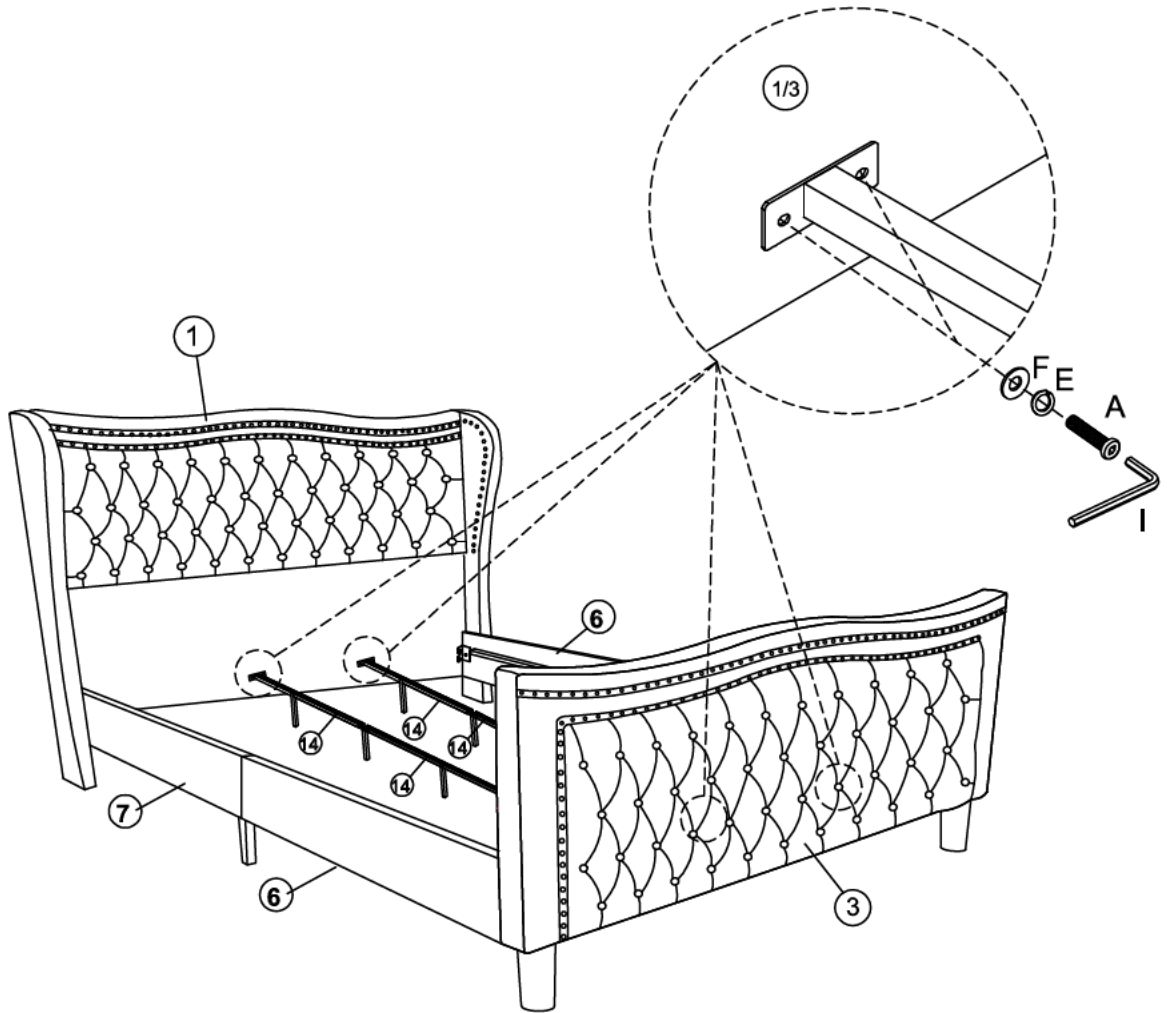
## STEP 5



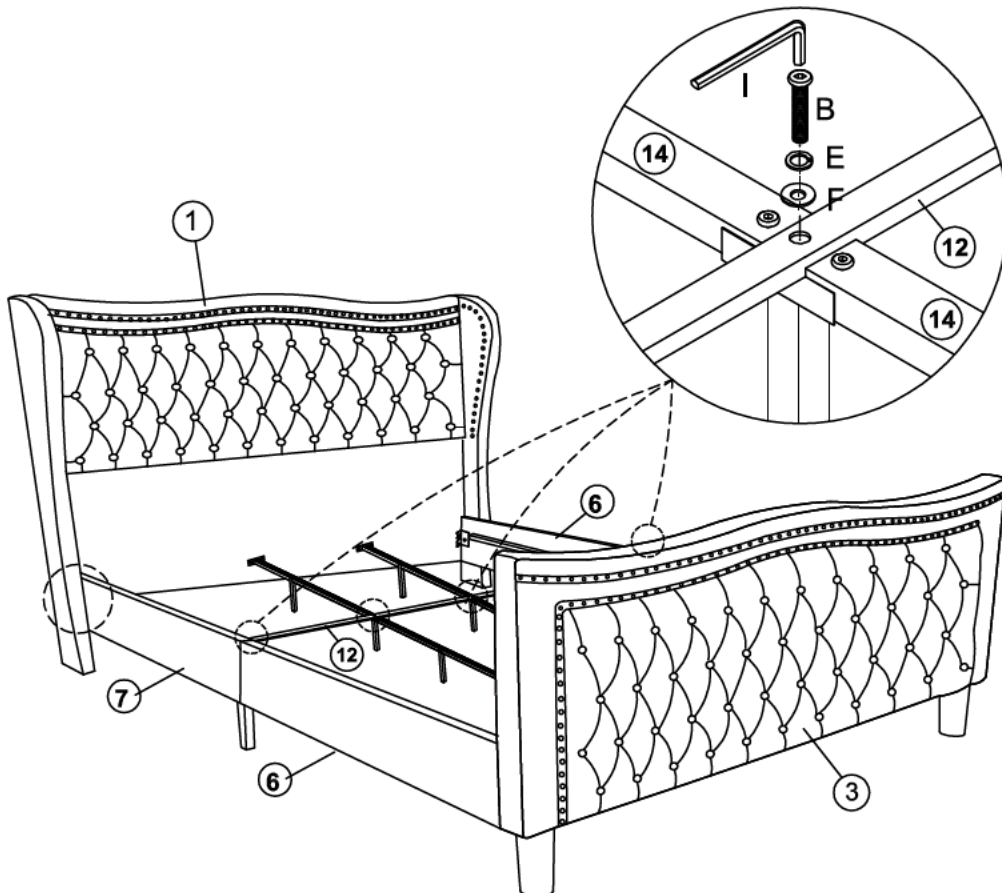
## STEP 6



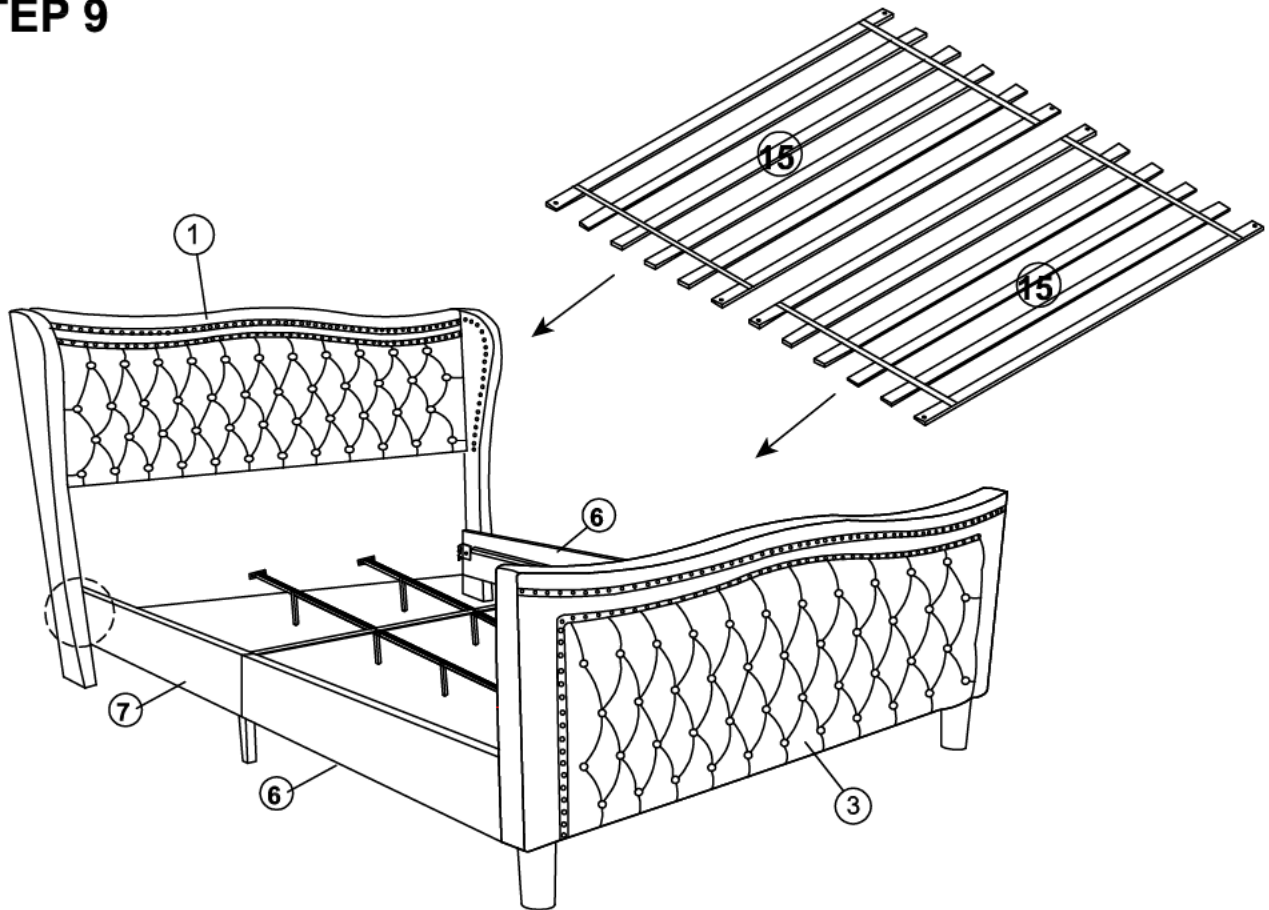
# STEP 7



# STEP 8



## STEP 9



## STEP 10

