

ASSEMBLY INSTRUCTIONS

LOFT BED WITH DESK AND SHELF





SAFETY WARNING



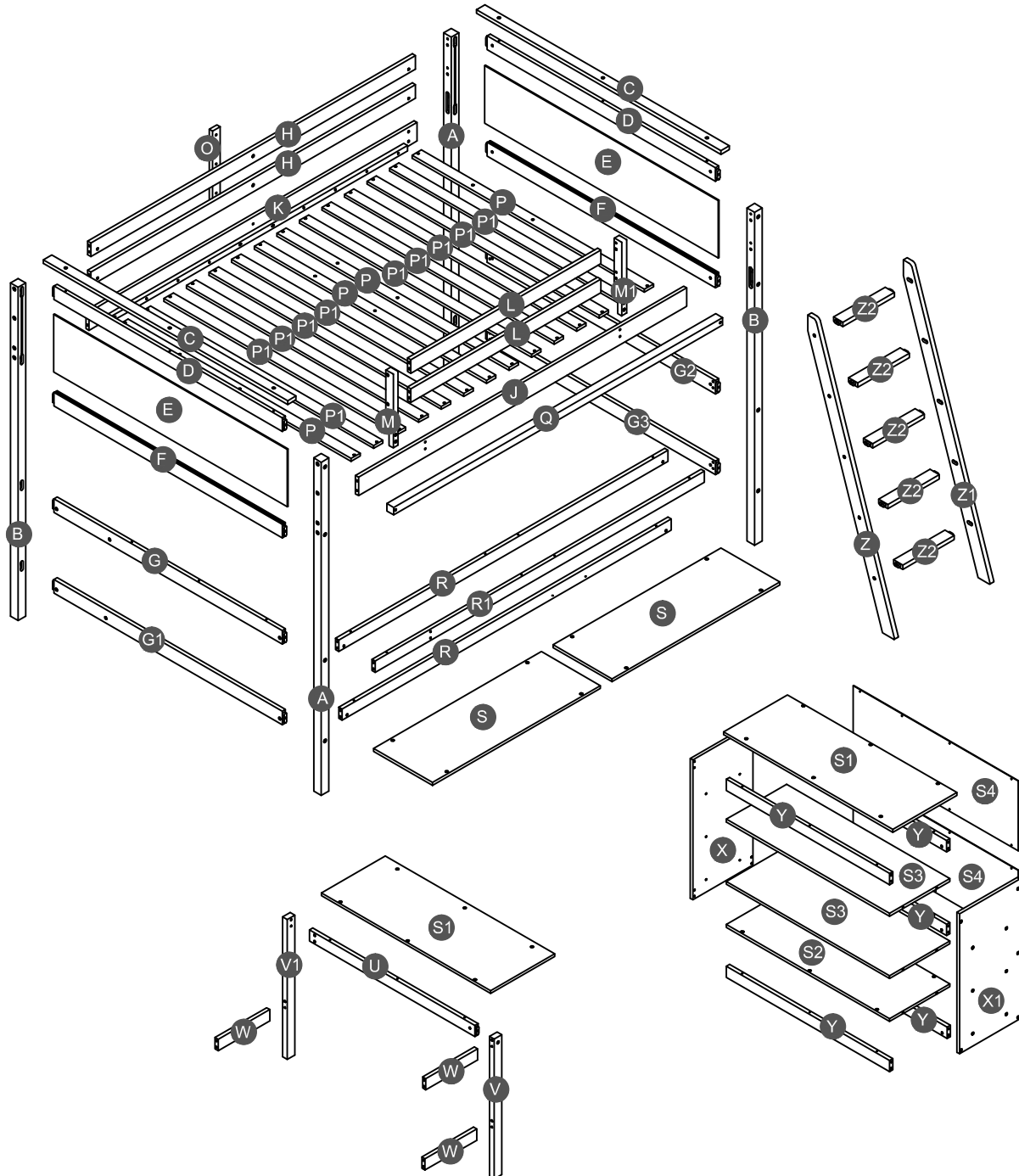
1. This bed is designed for use only mattress (es) meeting the following specifications on the loft bed:

Up bed (Loft bed and tribed included)

| Bed type | Length | With | Thickness |
|---------------|---------|---------|-----------|
| Full Standard | 74"-75" | 53 1/2" | 6" max |


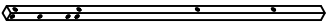
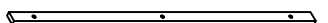
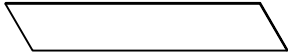




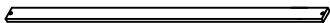



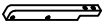
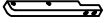

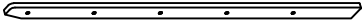
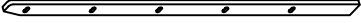
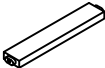
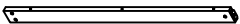
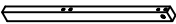
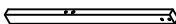
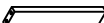
2. Replacement parts, including additional guardrails, maybe obtained from any of our dealers.
3. Follow the information on the warnings appearing on the loft bed. end structure and on the carton. Do not remove warning label from bed.
4. Always use the recommended size mattresses or mattress supports, or both, to help prevent the likelihood of entrapment or falls.
5. Surface of mattress must be at least 5" (127mm) below the upper edge of guardrails.
6. Do not allow children under 6 years of age to use the loft bed.
7. Periodically check and ensure that the guardrail, ladder, and other components are in their proper position, free from damage, and that all connectors are tight.
8. Do not allow horseplay on or under the bed and prohibit jumping on the bed.
9. Always use the ladder for entering and leaving the loft bed.
10. Do not use substitute part. Contact the manufacture or dealer for replacement part.
11. Use of a night light may provide added safety precaution for a child using the loft bed.
12. Always use guardrails on both long sides of the loft bed. If the loft bed will be placed next to the wall, the guardrail that runs the full length of the bed should be placed against the wall to prevent entrapment between the bed and wall.
13. The use of water or sleep flotation mattresses is prohibited.
14. **STRANGULATION HAZARD** - Never attach or hang items to any part of the loft bed that are not designed for use with the bed; for example, but not limited to, hook, belts and jump ropes.
15. Keep these instruction for future reference.
16. Prohibit more than one person on upper bunk
17. We recommend assembling your bunk bed on the shipping carton to protect your floor or carpet.
18. Be certain all staples are out of the box before beginning assembly on the shipping carton.

Detail View

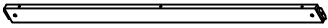

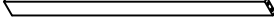
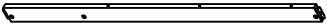


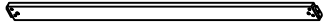





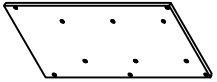
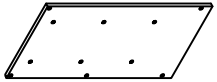



Part List



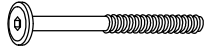






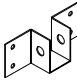


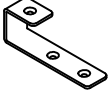


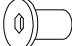
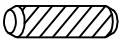
Hardware List

| | | |
|--|--|--|
| <p>A</p>  <p>Leg (Left Front / Right back) - 2pcs</p> | <p>B</p>  <p>Leg (Left back / Right Front) - 2pcs</p> | <p>C</p>  <p>Cap for upper HB-FB - 2pcs</p> |
| <p>E</p>  <p>Side panel - 2pcs</p> | <p>H</p>  <p>Long guard rail - 2pcs</p> | <p>J</p>  <p>Side rail (front) -1pc</p> |
| <p>K</p>  <p>Side rail (back) -1pc</p> | <p>P</p>  <p>Slat - 4pcs</p> | <p>P1</p>  <p>Slat - 10pcs</p> |
| <p>Q</p>  <p>Lower support slat - 1pc</p> | <p>R</p>  <p>Horizontal bar - 2pcs</p> | <p>R1</p>  <p>Horizontal bar - 1pc</p> |
| <p>M</p>  <p>Support guard rail(Left) - 1pc</p> | <p>M1</p>  <p>Support guard rail(Right) -1pc</p> | <p>O</p>  <p>Vertical guard rail - 1pc</p> |
| <p>Z</p>  <p>Long ladder (left) - 1pc</p> | <p>Z1</p>  <p>Long ladder (right) - 1pc</p> | <p>Z2</p>  <p>Step ladder - 5pcs</p> |
| <p>U</p>  <p>Horizontal bar - 1pc</p> | <p>V</p>  <p>Leg - front - 1pc</p> | <p>V1</p>  <p>Leg - back - 1pc</p> |
| <p>W</p>  <p>Horizontal bar - 3pcs</p> | | |

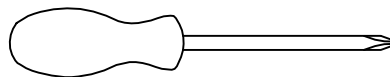
Part List

| | | |
|--|--|--|
| <p>D</p>  <p>Horizontal bar - 2pcs</p> | <p>F</p>  <p>Horizontal bar - 2pcs</p> | <p>L</p>  <p>Short guard rail - 2pcs</p> |
| <p>G</p>  <p>Horizontal bar - 1pc</p> | <p>G1</p>  <p>Horizontal bar - 1pc</p> | <p>G2</p>  <p>Horizontal bar - 1pc</p> |
| <p>G3</p>  <p>Horizontal bar - 1pc</p> | <p>S</p>  <p>Top panel (back) - 2pcs</p> | <p>S1</p>  <p>Top panel (front) - 2pcs</p> |
| <p>S2</p>  <p>Bottom panel - 1pc</p> | <p>S3</p>  <p>Shelf panel - 2pcs</p> | <p>S4</p>  <p>Back panel - 2pcs</p> |
| <p>X</p>  <p>Left side panel - 1pc</p> | <p>X1</p>  <p>Right side panel - 1pc</p> | <p>Y</p>  <p>Horizontal bar - 5pcs</p> |

Hardware List

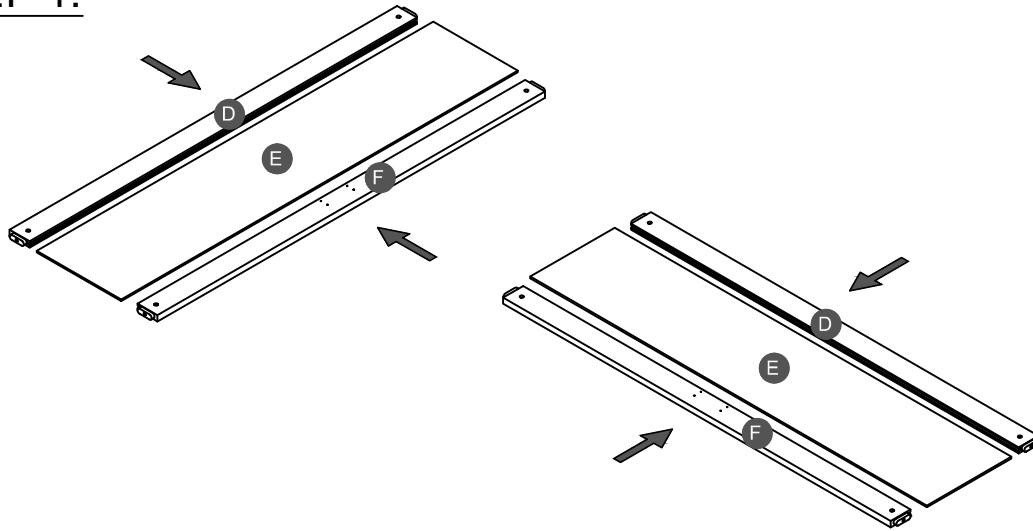
| | | |
|---|---|---|
| 1  Ø8*30mm Wood dowel (22pcs) | 2  (Ø15)1/4"*100mm Hex-Head bolts (12pcs) | 3  (Ø15)1/4"*80mm Hex-Head bolts (25pcs) |
| 4  (Ø12)1/4"*60mm Hex-Head bolts (42pcs) | 5  (Ø12)1/4"*35mm Hex-Head bolts (4pcs) | 6  (Ø12)1/4"*30mm Hex-Head bolts (3pcs) |
| 7  1/4"*15 (9.5mm) Horizontal-Hole bolts (79pcs) | 8  (Ø12)1/4"*40mm Hex-Head bolts (32pcs) | 9  (1/4")4.5*58mm Allen key (2pcs) |
| 10  116*40*27mm Metal bracket (2pcs) | 11  Ø3.5*15mm Wood screws (24pcs) | 12  Ø4*30mm Wood screws (32pcs) |
| 13  81*26*21*(2.5mm) Hooks (2pcs) | 14  (Ø12)1/4"*40mm Hex-Head bolts (2pcs) | 15  Ø4*19mm Wood screws (6pcs) |
| 16  (Ø13)1/4"*14mm Connect bolt (2pcs) | 17  Ø10*40mm Wood dowel (8pcs) | |

ASSEMBLY TOOLS REQUIRED (NOT INCLUDED)

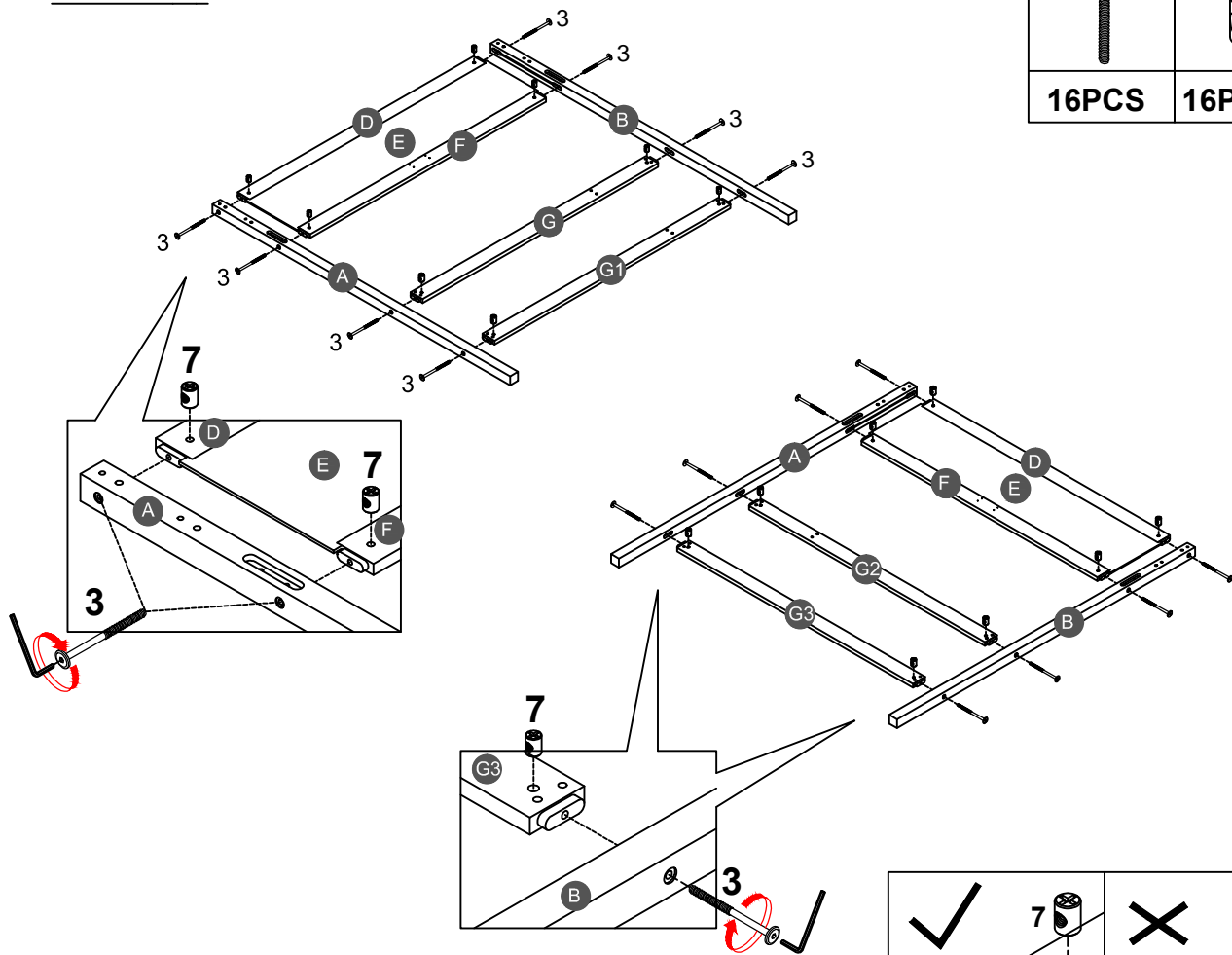




PLEASE BE CAREFUL DO NOT DAMAGE THE HOLE POSITION WHEN YOU USE POWER TOOLS !

STEP 1:

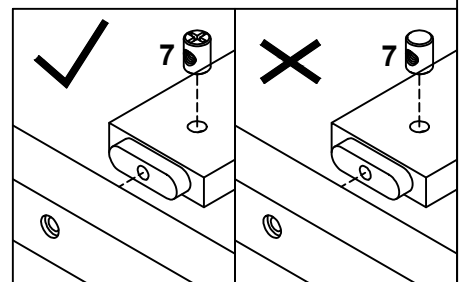


STEP 2:



| | | | |
|--------------|---|--------------|---|
| 3 |  | 7 |  |
| 16PCS | | 16PCS | |

Note: Part 7 will face up with the "x" mark on it, otherwise it cannot be tightened

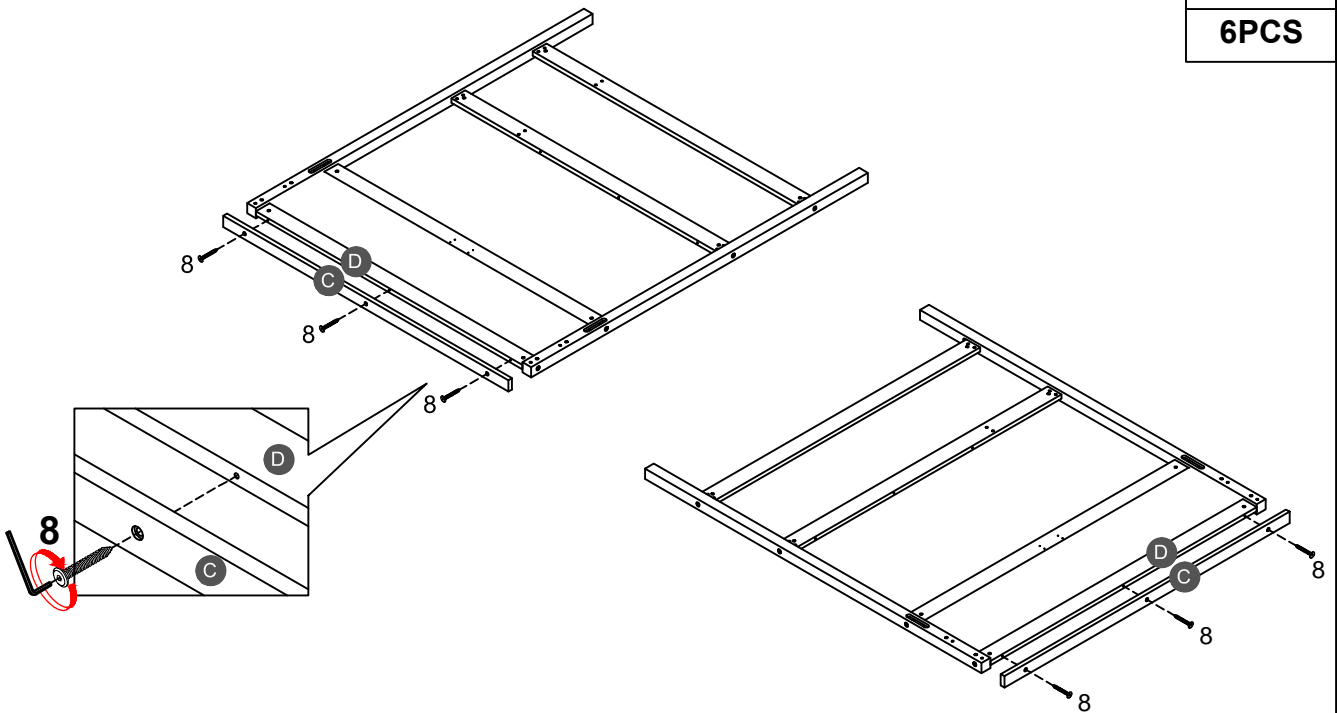


STEP 3:

8



6PCS



STEP 4:

10

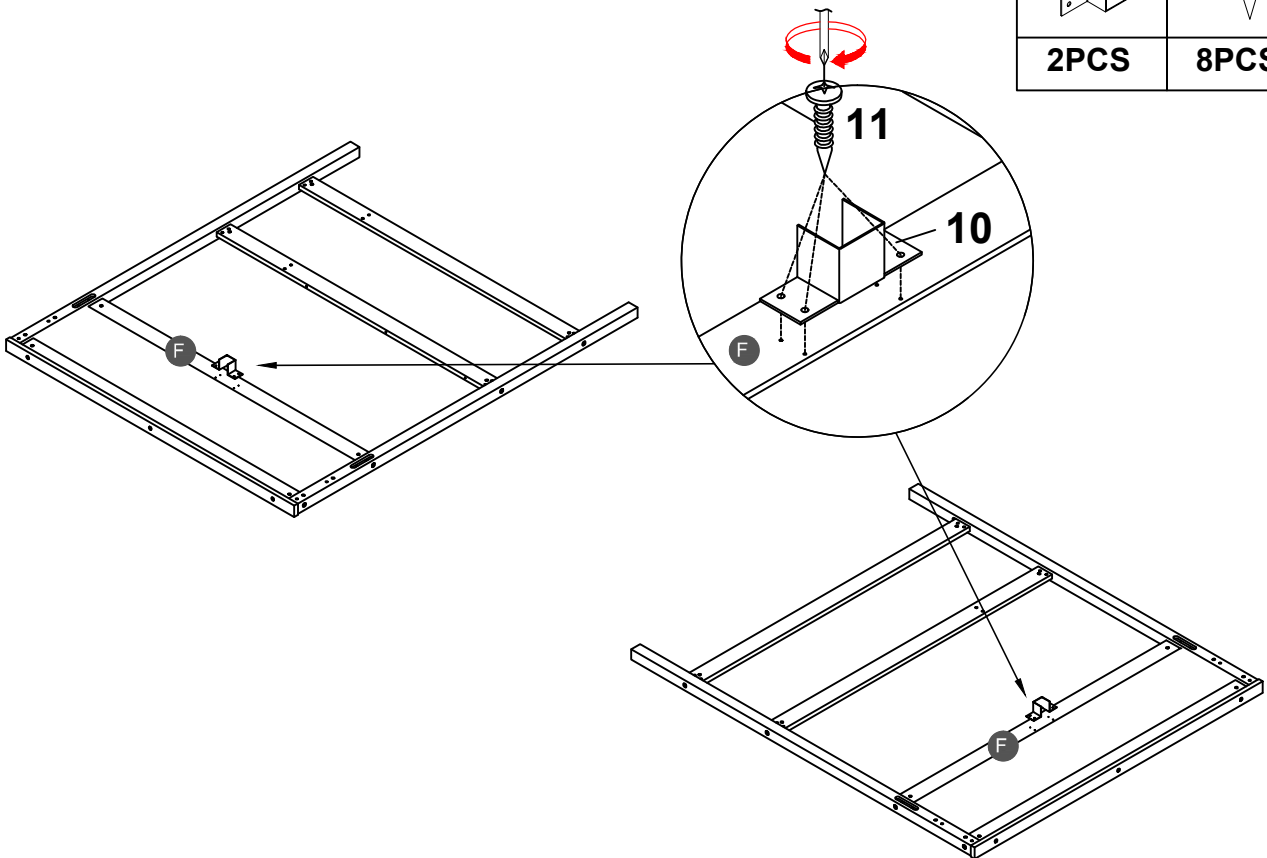


2PCS

11



8PCS



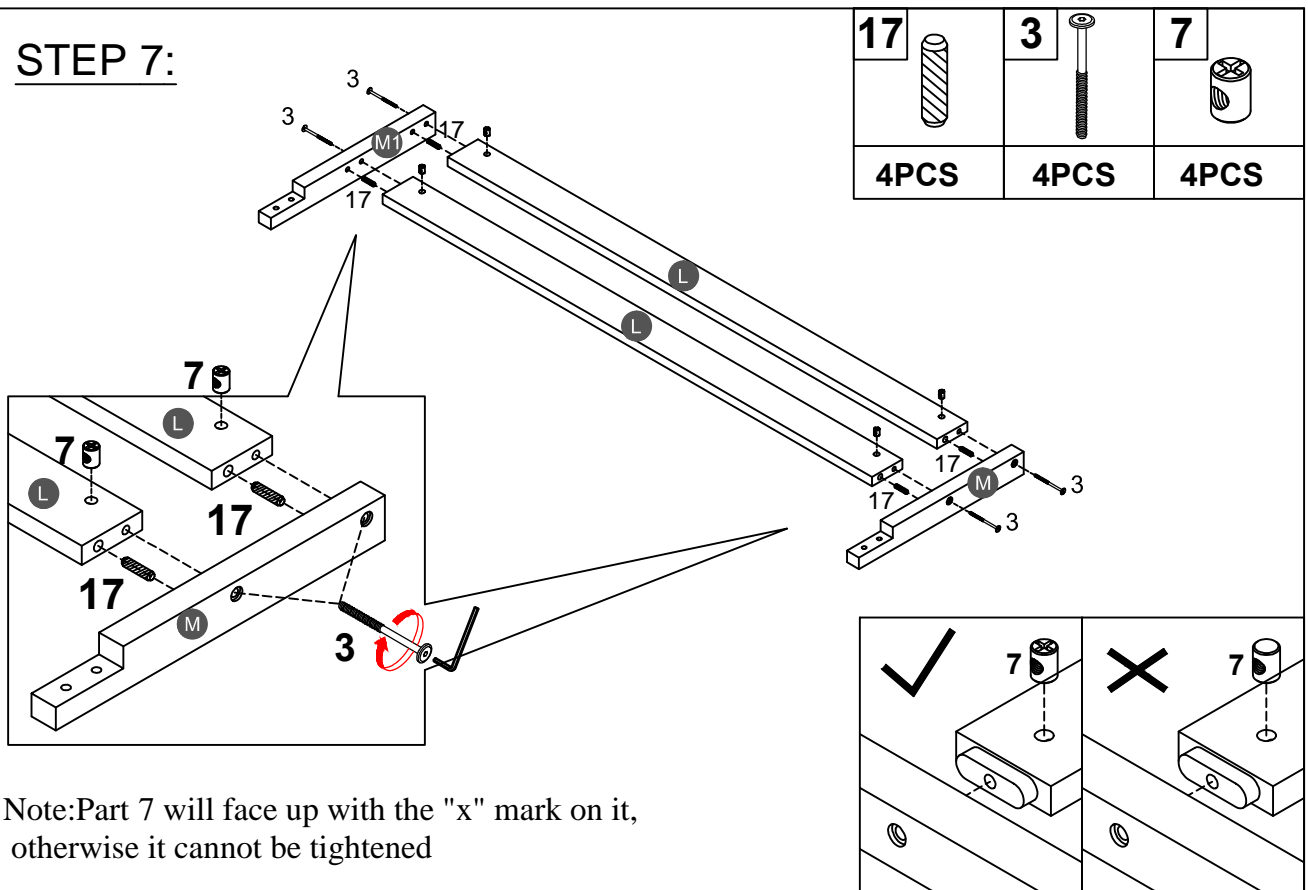
STEP 5:

| | | | |
|-------------|--|--------------|--|
| 1 | | 2 | |
| 6PCS | | 12PCS | |
| 4 | | 6PCS | |
| 7 | | 18PCS | |
| 17 | | 4PCS | |

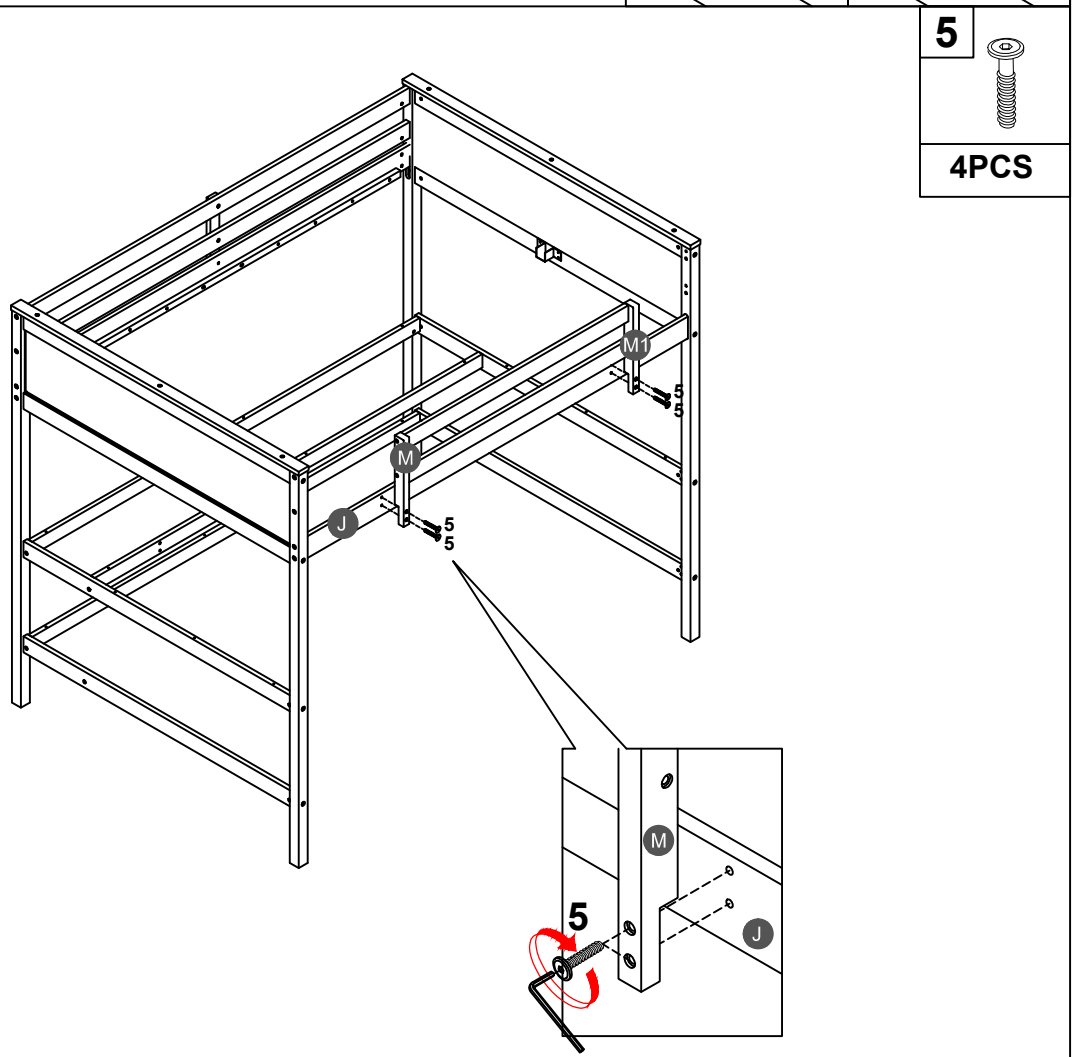
STEP 6:

| | |
|-------------|--|
| 6 | |
| 3PCS | |

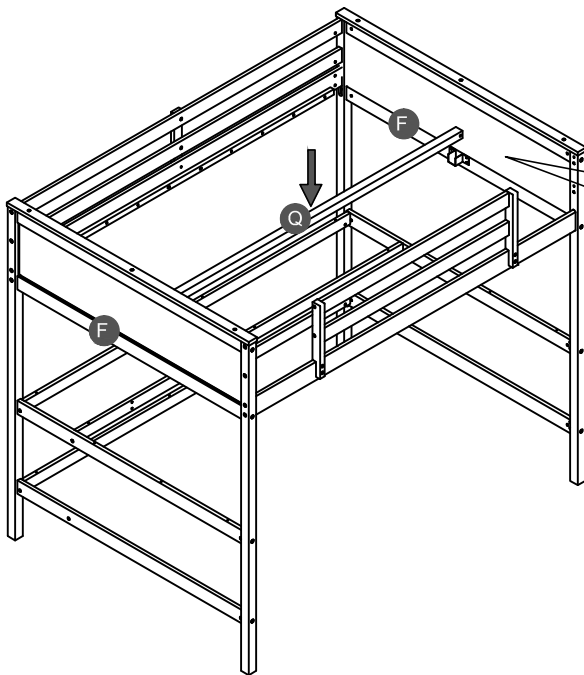
STEP 7:

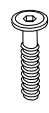
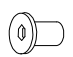


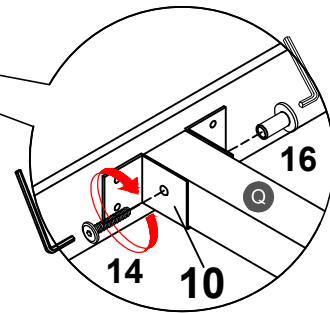
STEP 8:



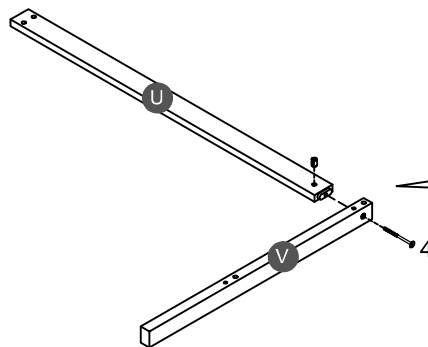
STEP 9:





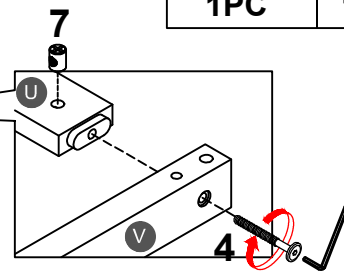
| | | | |
|-----------|---|-----------|---|
| 14 |  | 16 |  |
| | 2PCS | | 2PCS |



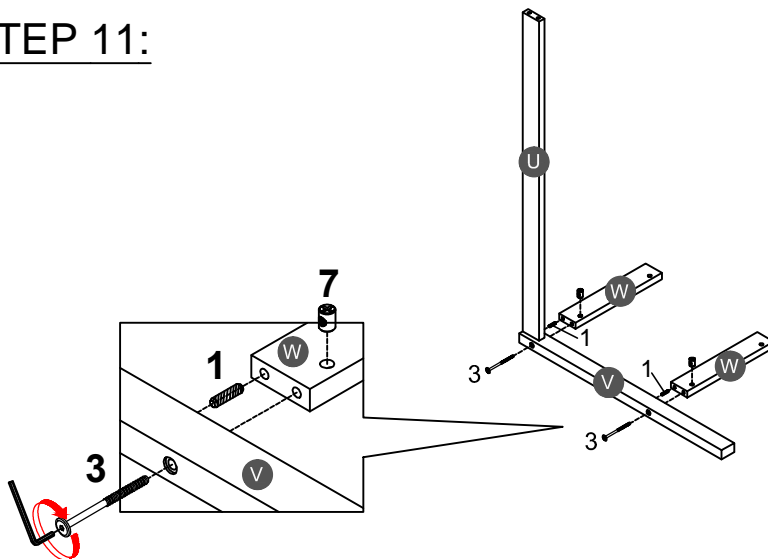
STEP 10:






| | | | |
|----------|--|----------|--|
| 4 |  | 7 |  |
| | 1PC | | 1PC |






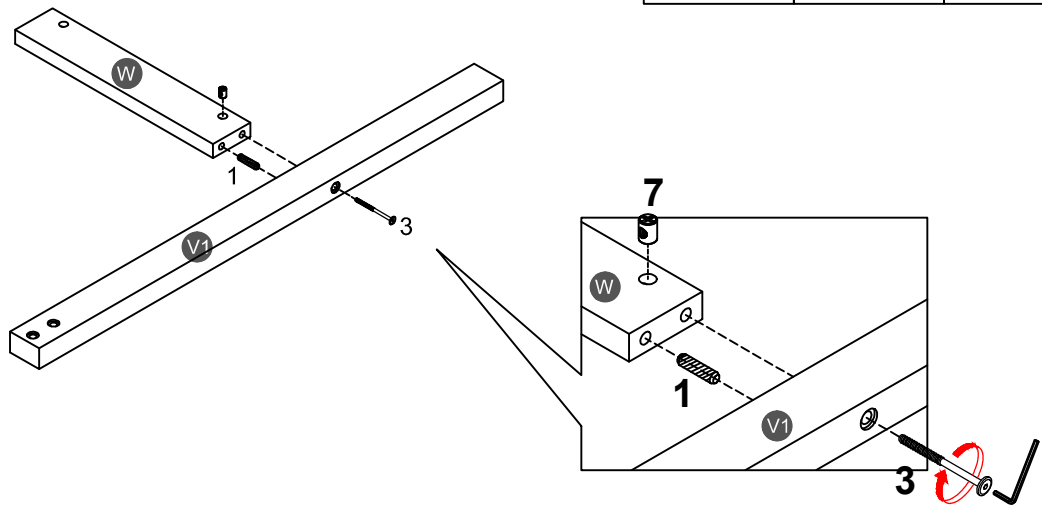
STEP 11:







| | | | | | |
|----------|---|----------|---|----------|---|
| 1 |  | 3 |  | 7 |  |
| | 2PCS | | 2PCS | | 2PCS |

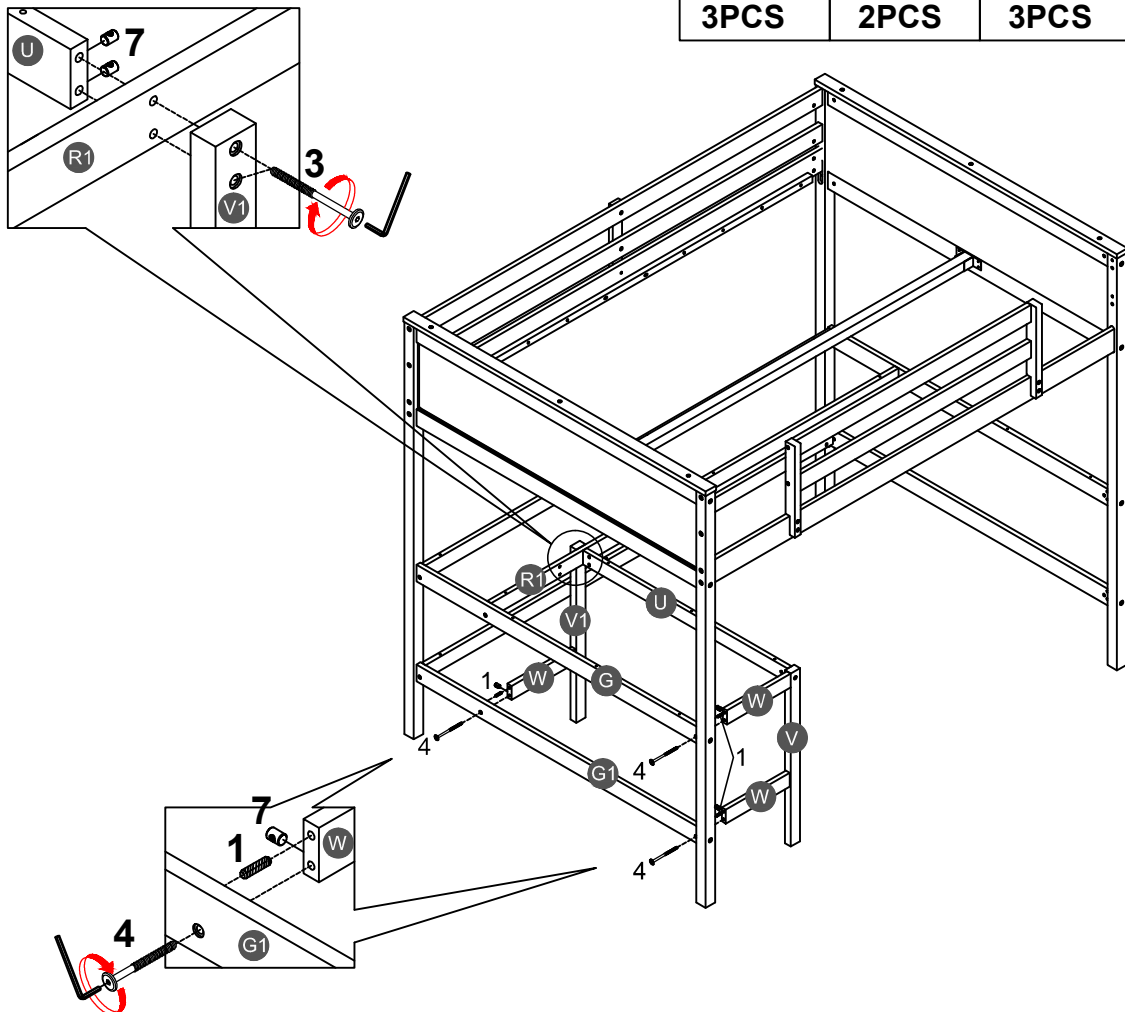
STEP 12:

| | | | | | |
|------------|---|------------|---|------------|---|
| 1 |  | 3 |  | 7 |  |
| 1PC | | 1PC | | 1PC | |



STEP 13:

| | | | | | | | |
|-------------|--|-------------|--|-------------|--|-------------|--|
| 1 |  | 3 |  | 4 |  | 7 |  |
| 3PCS | | 2PCS | | 3PCS | | 5PCS | |

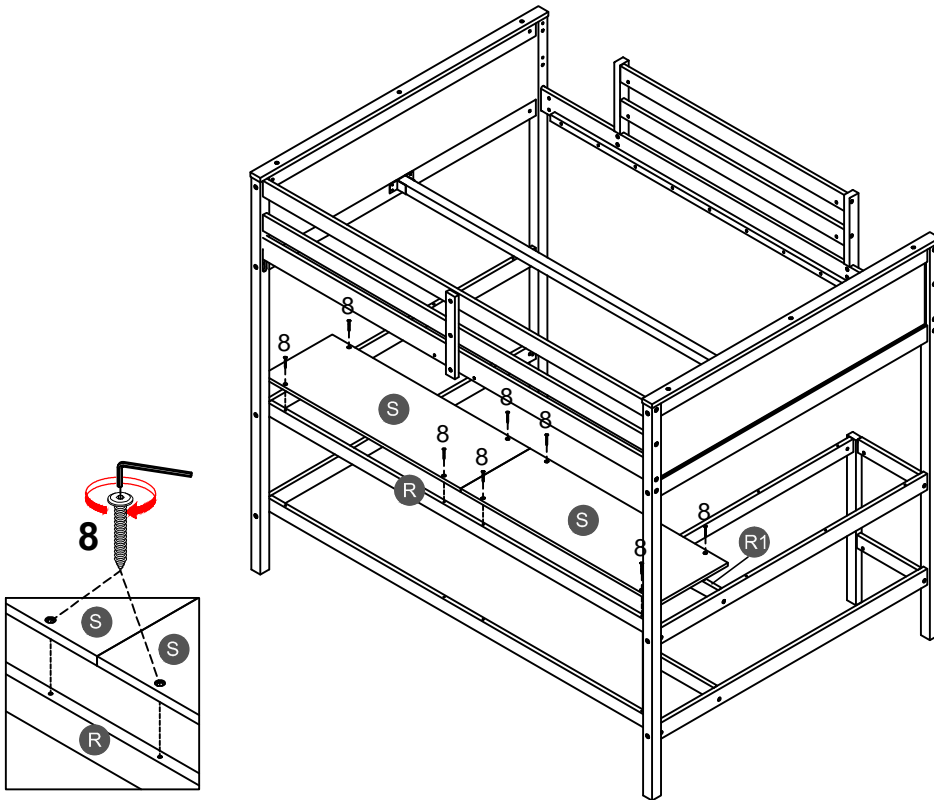


STEP 14:

8



8PCS

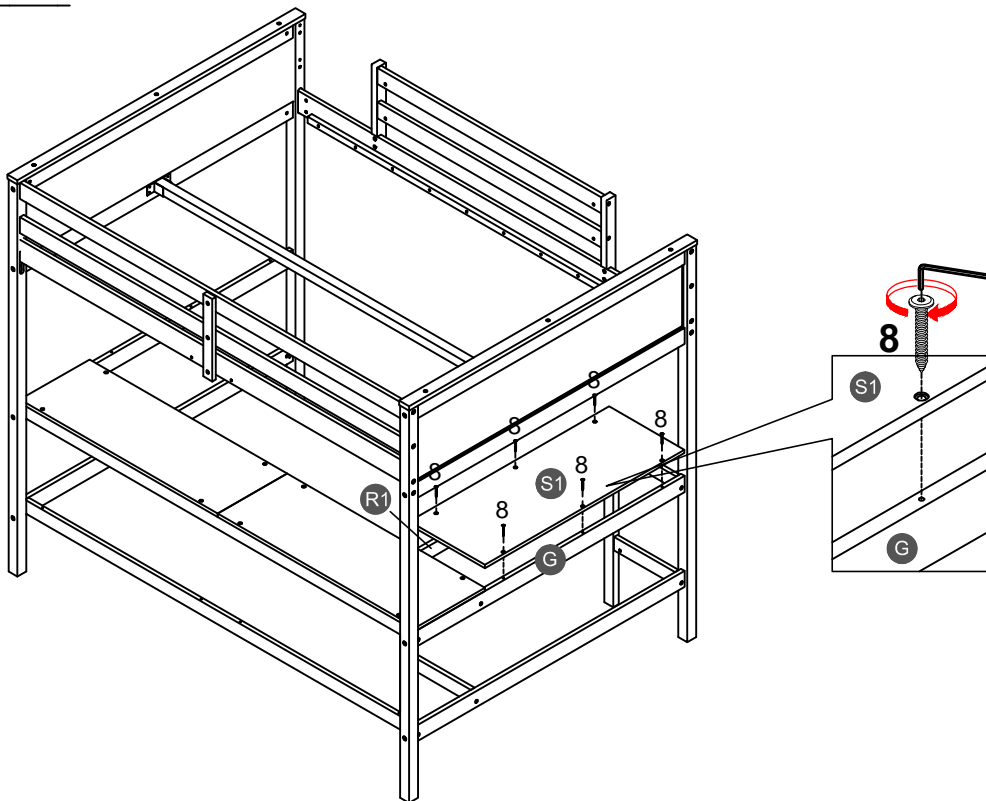


STEP 15:

8



6PCS

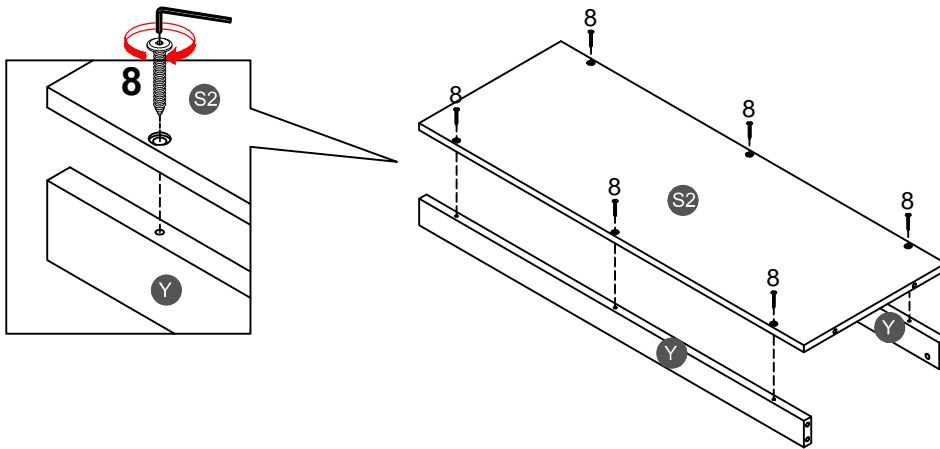


STEP 16:

8



6PCS



STEP 17:

1



5PCS

4

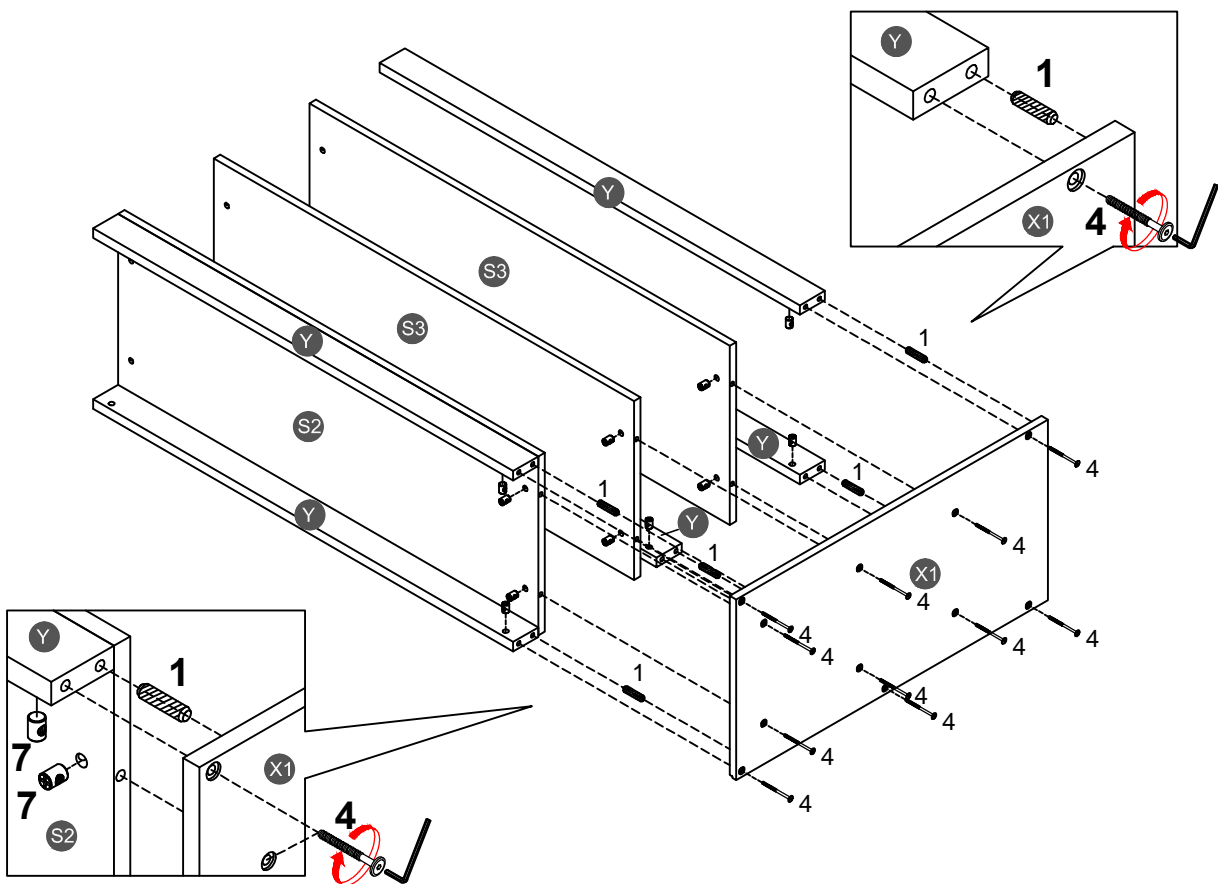


11PCS




7

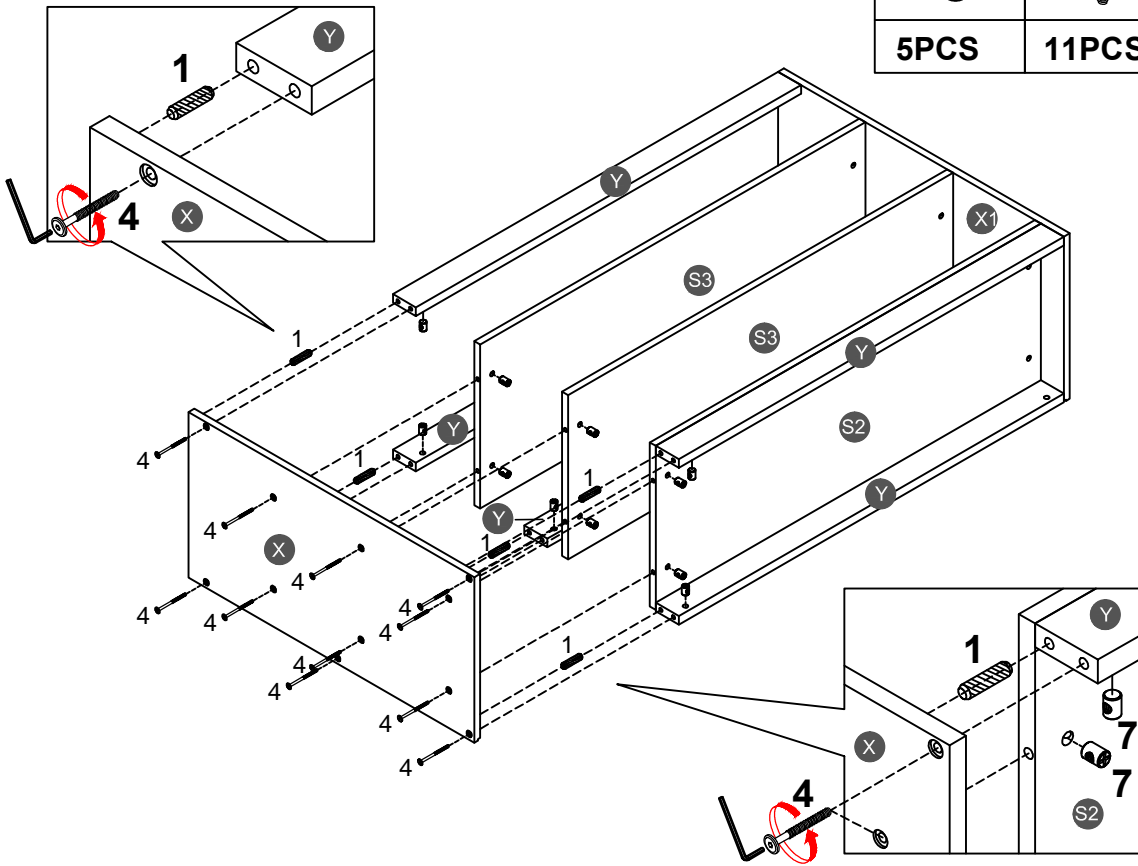


11PCS




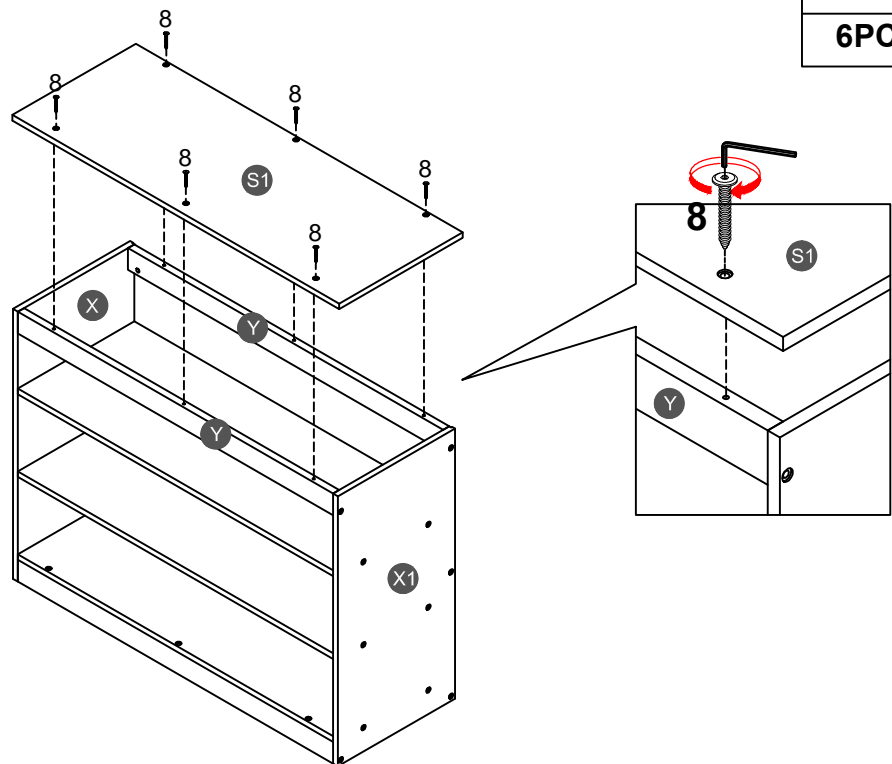
STEP 18:

| | | | | | |
|-------------|---|--------------|---|--------------|---|
| 1 |  | 4 |  | 7 |  |
| 5PCS | | 11PCS | | 11PCS | |



STEP 19:

| | |
|-------------|---|
| 8 |  |
| 6PCS | |

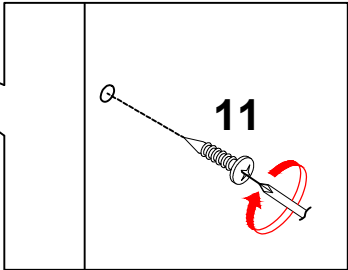
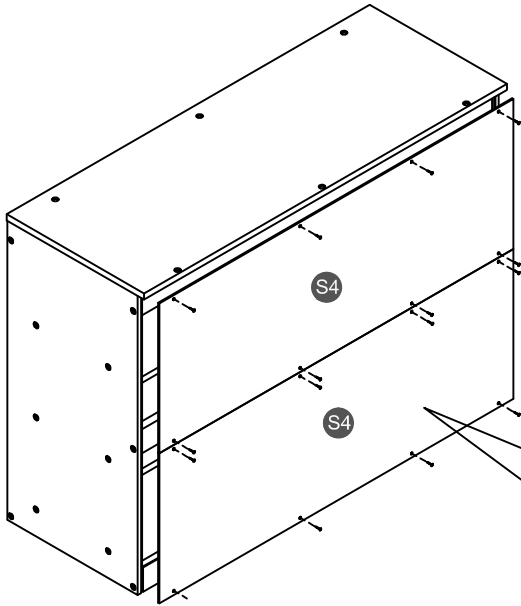


STEP 20:

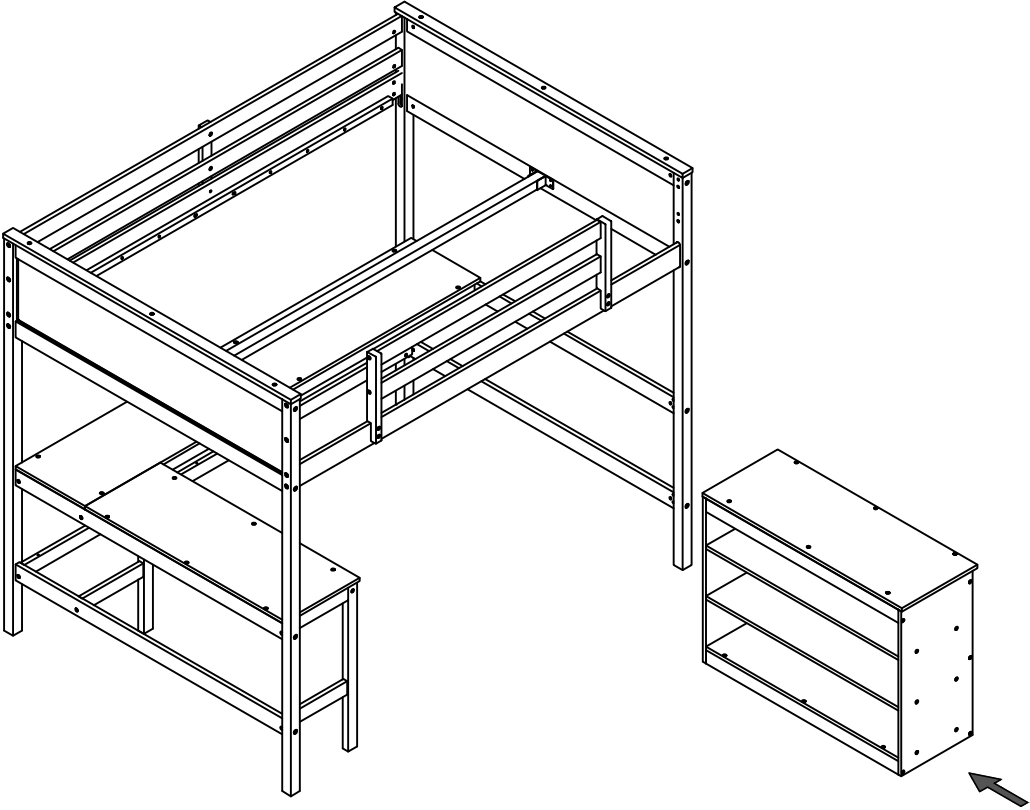
11





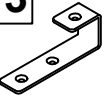

16PCS

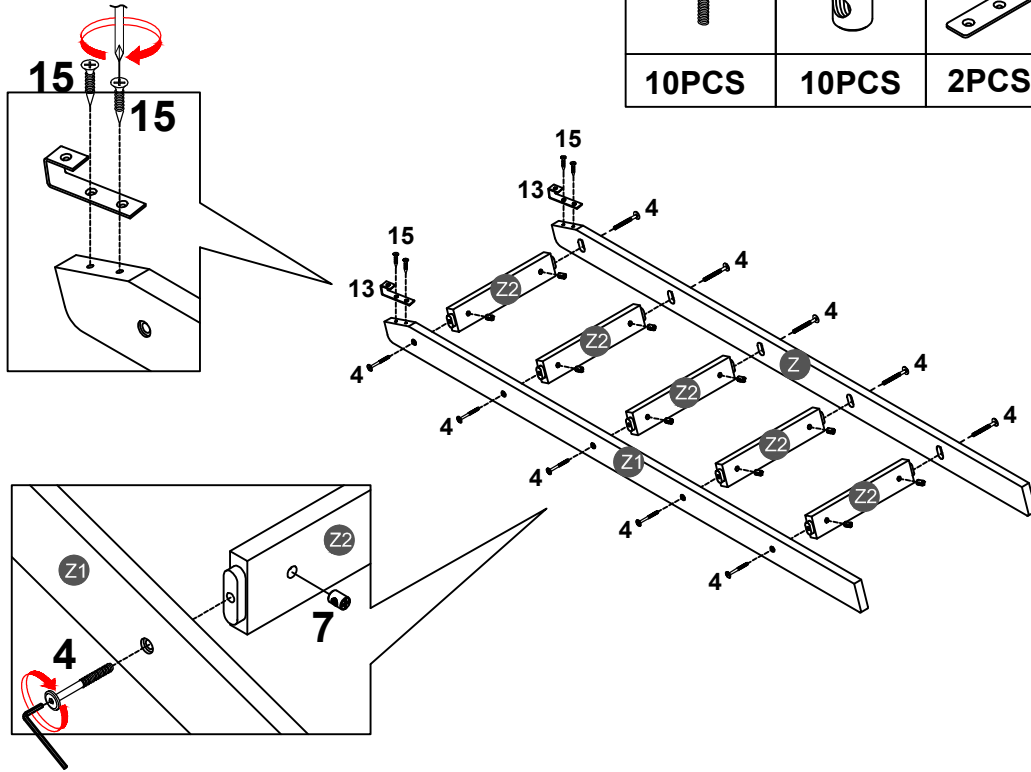


STEP 21:




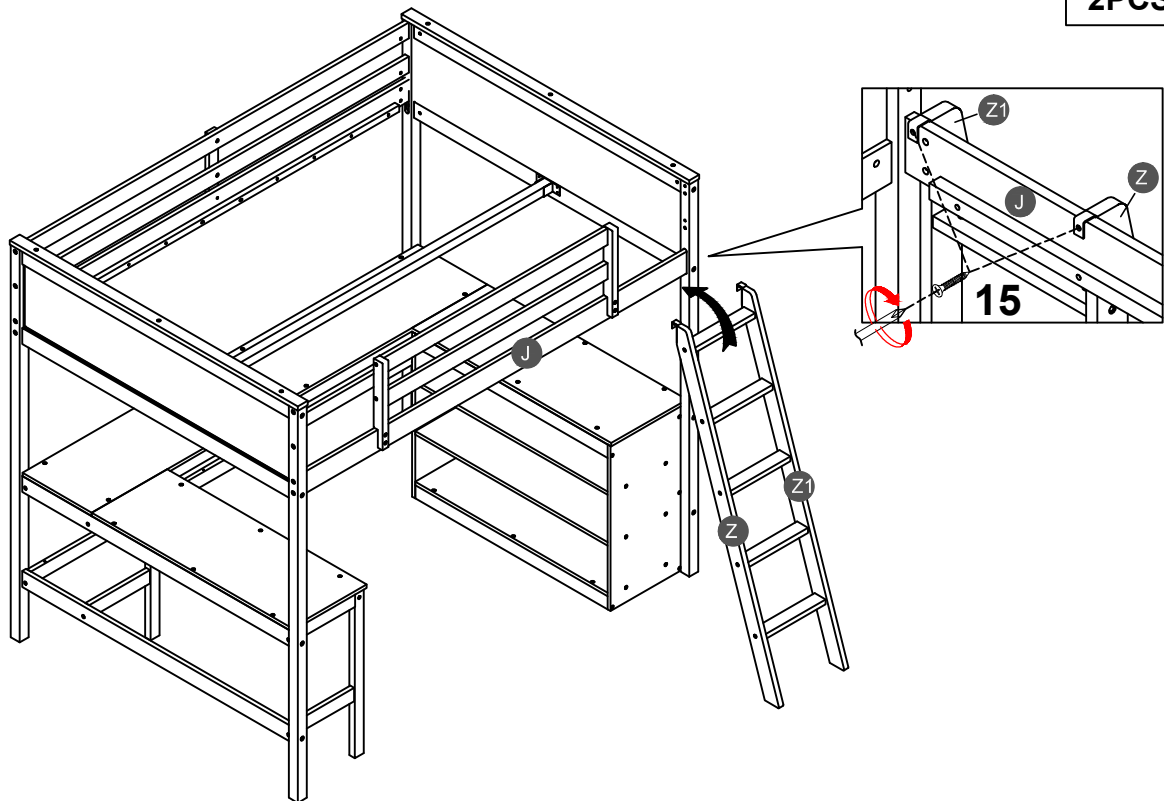
STEP 22:

| | | | | | | | |
|--------------|---|--------------|---|-------------|---|-------------|---|
| 4 |  | 7 |  | 13 |  | 15 |  |
| 10PCS | | 10PCS | | 2PCS | | 4PCS | |



STEP 23:

| | |
|-------------|---|
| 15 |  |
| 2PCS | |

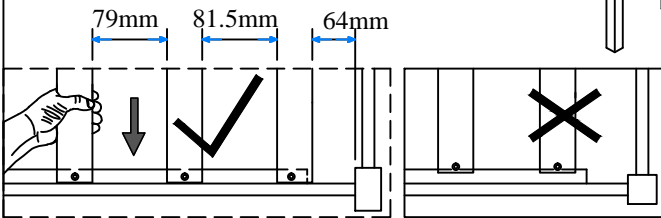
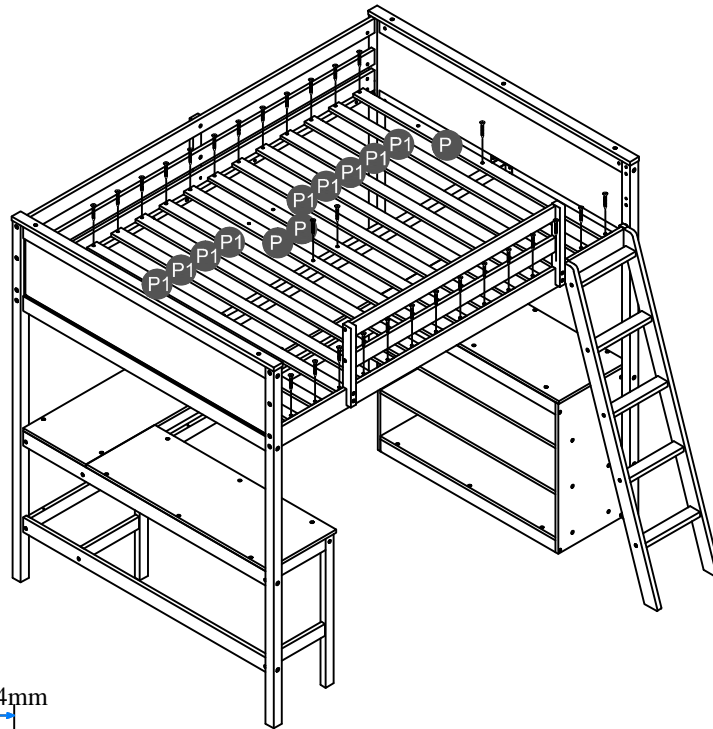


STEP 24:

12



32PCS



Note: Do not lock the screws of the bed slats to the outermost edge of the bed slats, you need to leave a certain space at the edges, otherwise it will cause the board to break. Do not lock the bed slats on the edge of the wood, please hold firmly before screwing , hold it in place with one hand, then lock the screw.

