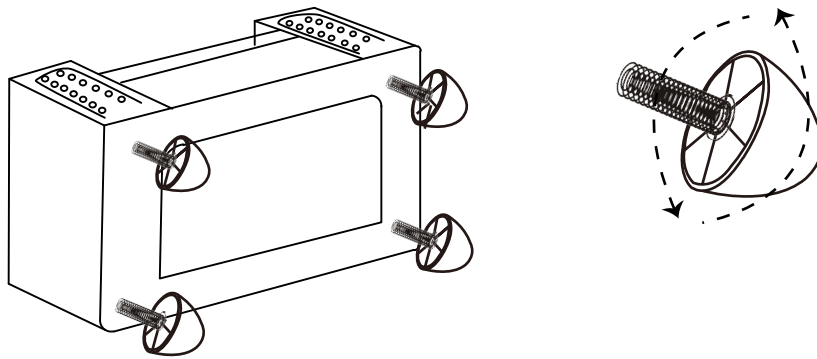
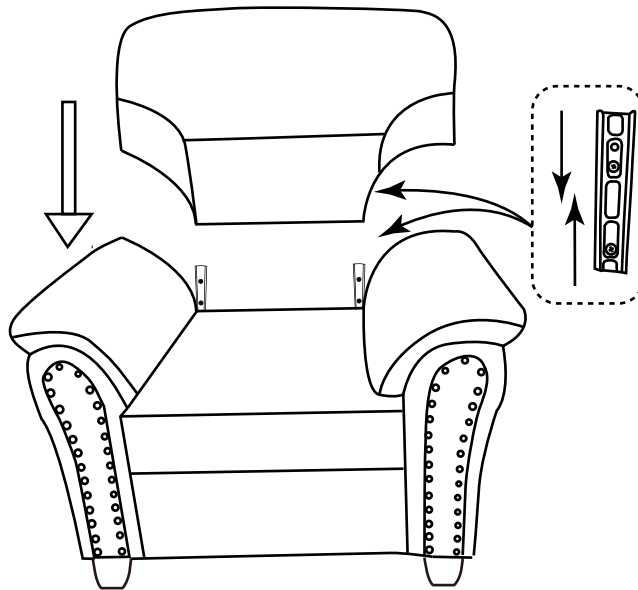


Chair ASSEMBLY INSTRUCTION

Step1: Turn the legs into the body



Step2: Assemble the backrest into the body



Step3: Finish

