

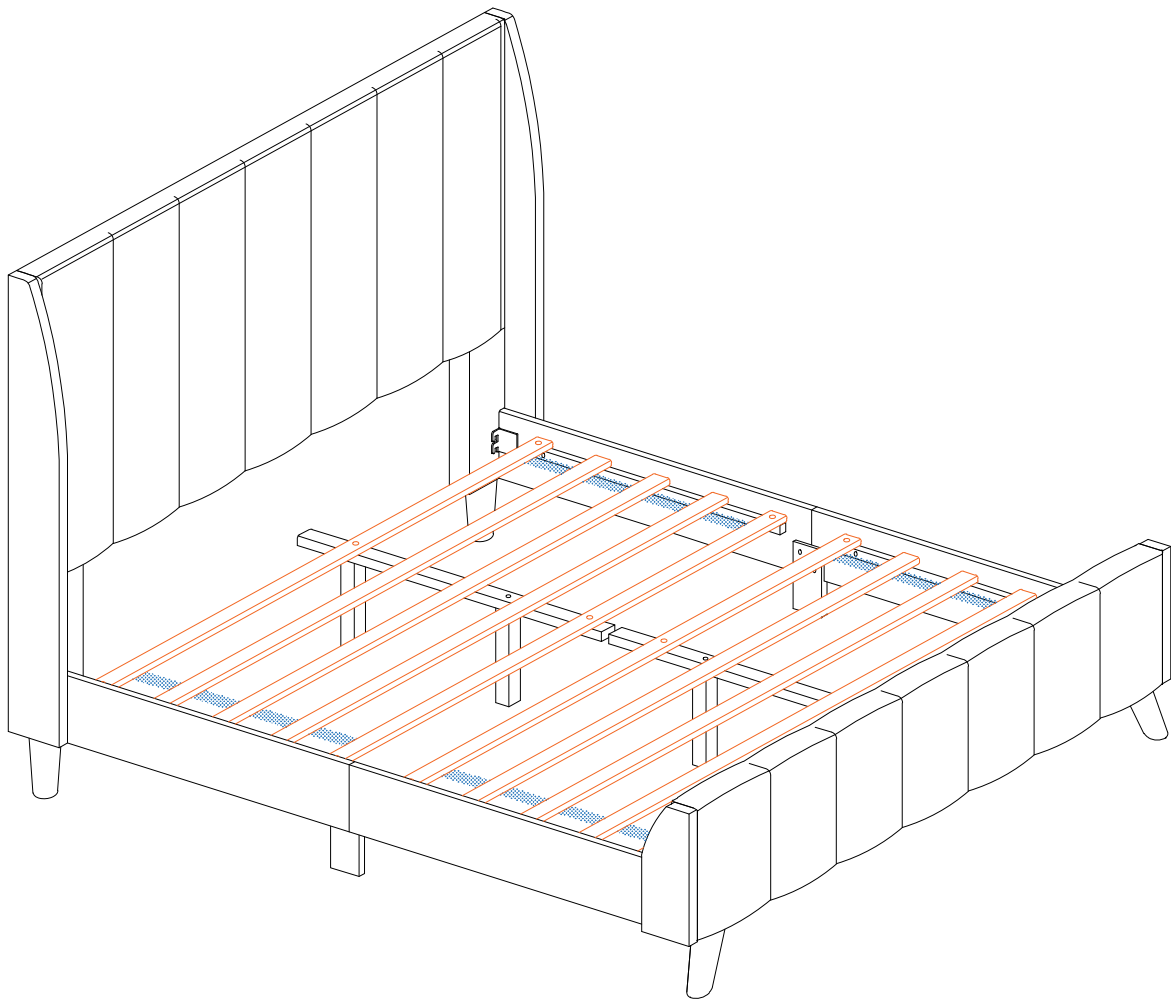
# ASSEMBLY INSTRUCTIONS :

## DESCRIPTION : UPHOLSTERED BED

Thank you for purchasing this product & be sure to check all packing material carefully for small part that may have come loose inside the carton during shipment

### Attention :-

- Bed parts are packed inside the Headboard.
- Before start assembly, please make sure to clean & clear your working area to avoid stain or dirt on product.



# ASSEMBLY INSTRUCTIONS :

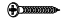
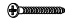









## DESCRIPTION : UPHOLSTERED BED

Thank you for purchasing this product & be sure to check all packing material carefully for small part that may have come loose inside the carton during shipment

### PART LIST :

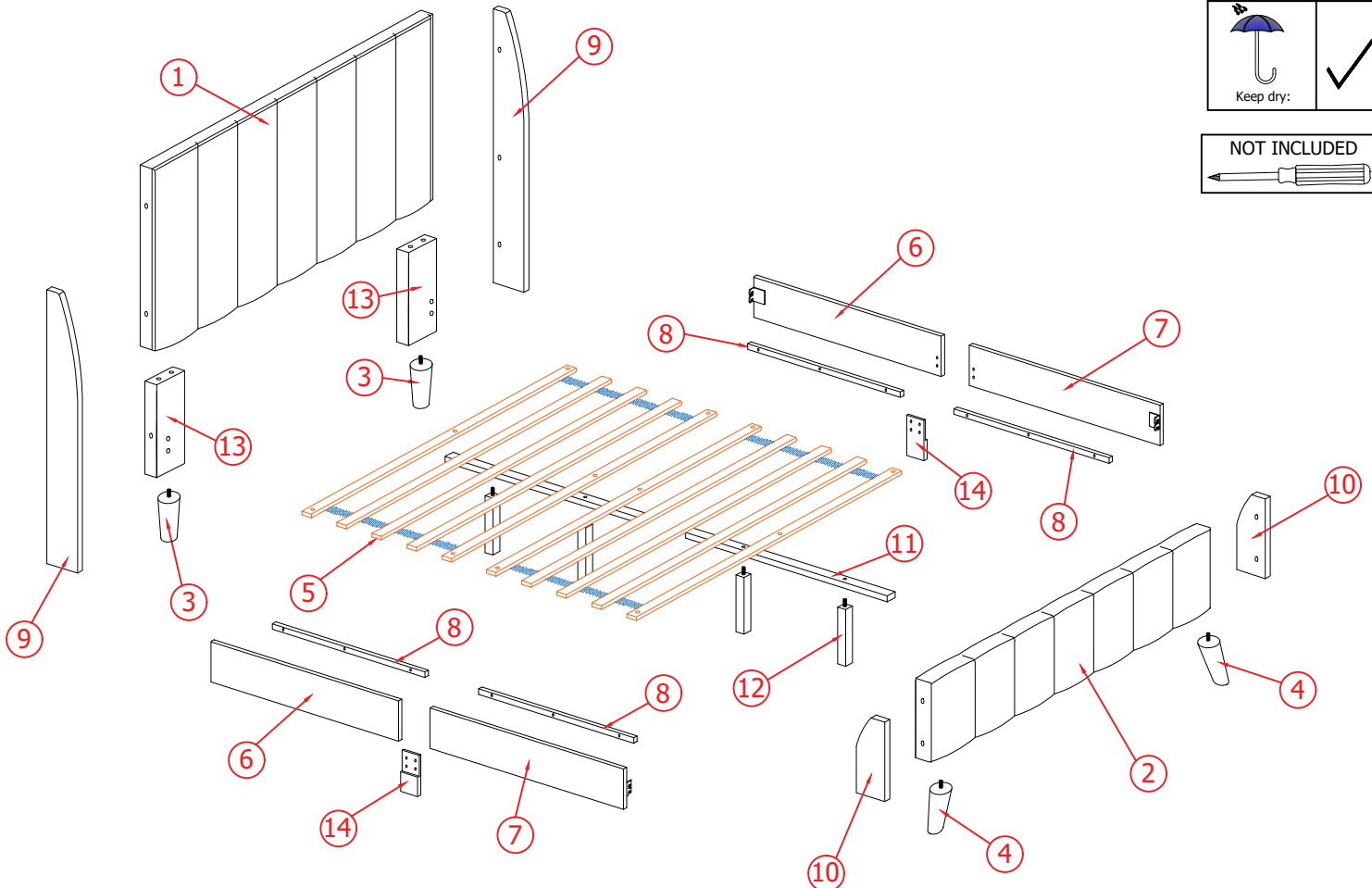
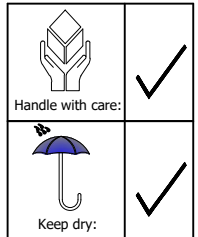
NO	DESCRIPTION	QUANTITY:
1	HEADBOARD	1
2	FOOTBOARD	1
3	HEADBOARD LEG	2
4	FOOTBOARD LEG	2
5	BED SLATS ( 2 SETS)	10
6	SIDE RAIL (A)	2
7	SIDE RAIL (B)	2
8	SIDE RAIL SUPPORT	4
9	WINGS HEADBOARD	2
10	WINGS FOOTBOARD	2
11	CENTER RAIL	2
12	CENTER RAIL SUPPORT	4
13	LEG PILLAR	2
14	SIDE RAIL SUPPORT LEG	2

### HARDWARE LIST :

NO	DESCRIPTION	QUANTITY:
A	CSK M4 x 16mm 	8
B	CSK M4 x 32mm 	8
C	JCBC M8 x 20mm 	8
D	JCBC M6 x 30mm 	18
E	JCBC M6 x 35mm 	12
F	JCBC M6 x 50mm 	8
G	FLAT WASHER M6 	34
H	SPRING WASHER M6 	34
I	ALLEN KEY M4 	1
J	ALLEN KEY M5 	1
K	PLASTIC WASHER 	4

#### Important note :

- Place all wooden part on a clean & smooth surface such as rug or carpet to avoid the part from being scratch.
- Please follow the assembly instruction step by step.
- Do not tighten all screw until the Bed is fully set-up.



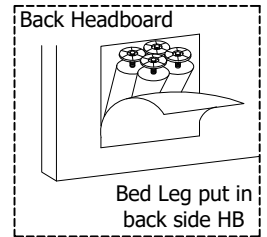
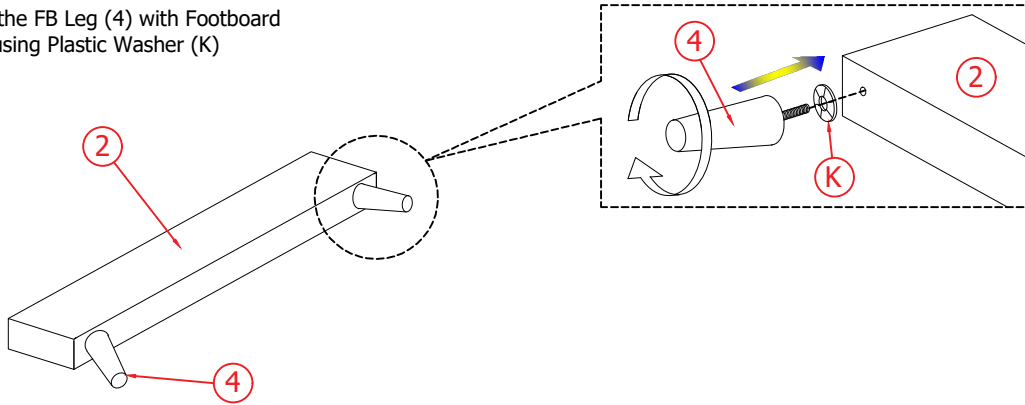
# ASSEMBLY INSTRUCTIONS :

## DESCRIPTION : UPHOLSTERED BED

Thank you for purchasing this product & be sure to check all packing material carefully for small part that may have come loose inside the carton during shipment

### STEP 1 :-

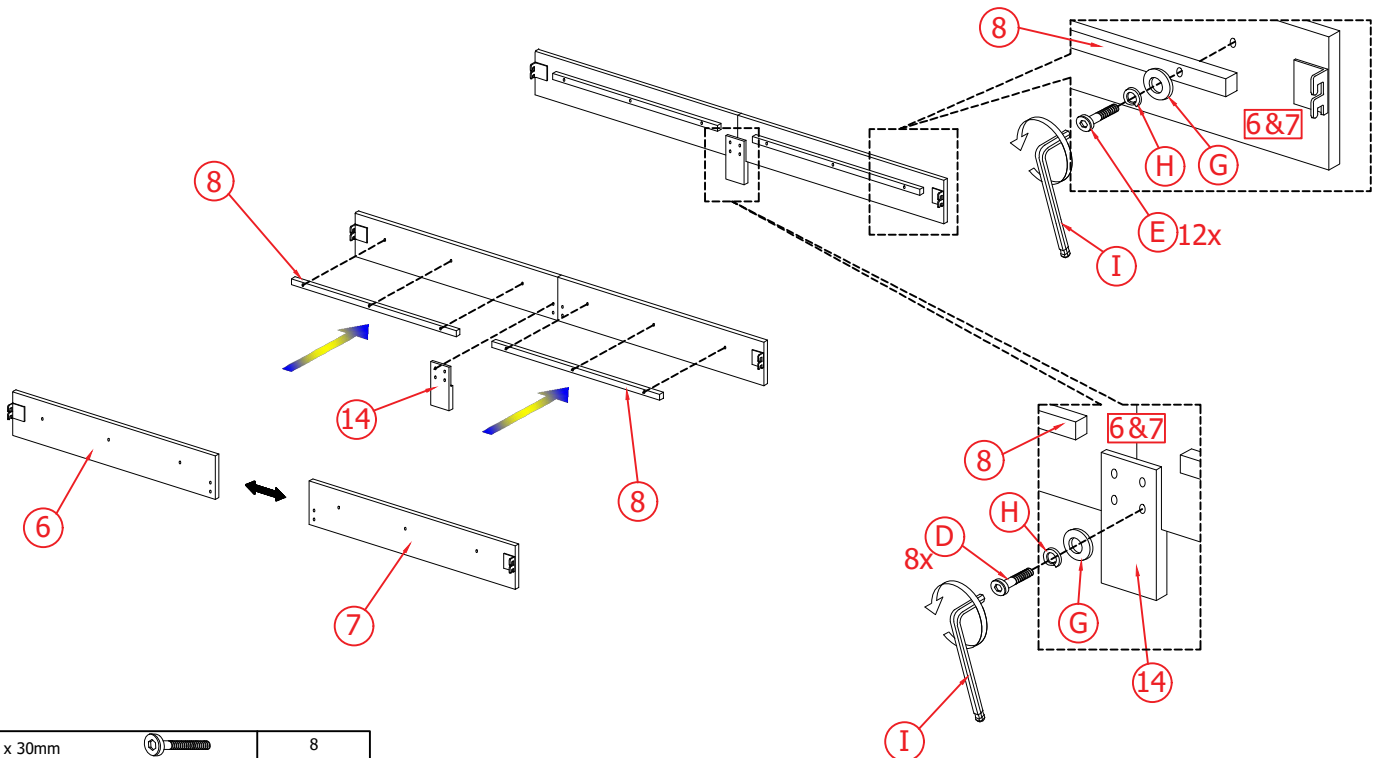
- Attach the FB Leg (4) with Footboard (2) by using Plastic Washer (K)



K	PLASTIC WASHER		2
---	----------------	--	---

### STEP 2 :-

- Attach the Side Rail Support (8) on the side Rail (6)(7). By using the Bolt (E), Spring Washer (H), Flat Washer (G) & Allen key (I).
- Put the Side Rail symmetrical. Then attach the Support side Rail (8) with Side Rail (6)(7) by using the Bolt (D), Spring Washer (H), Flat Washer (G) & Allen key (I).



D	JCBC M6 x 30mm		8
E	JCBC M6 x 35mm		12
G	FLAT WASHER M6		20
H	SPRING WASHER M6		20
I	ALLEN KEY M4		1

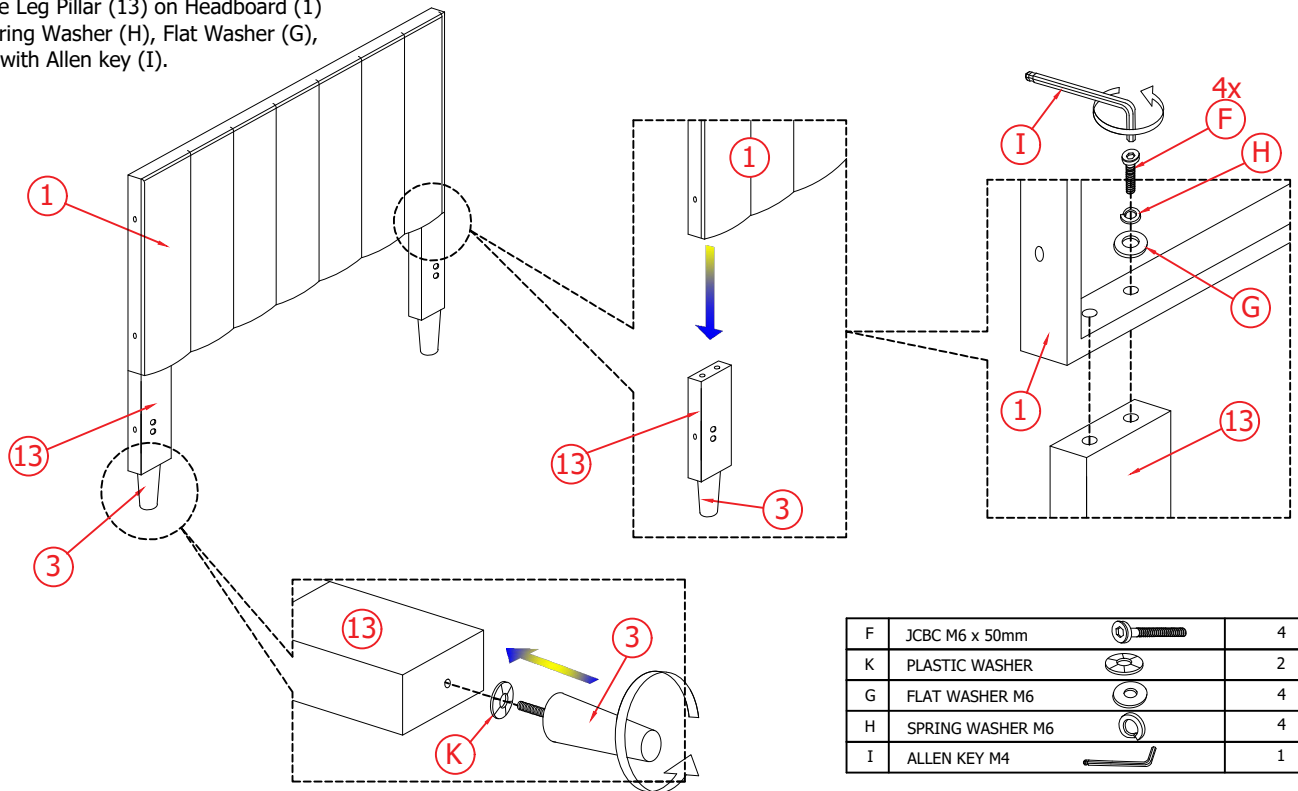
# ASSEMBLY INSTRUCTIONS :

## DESCRIPTION : UPHOLSTERED BED

Thank you for purchasing this product & be sure to check all packing material carefully for small part that may have come loose inside the carton during shipment

### STEP 3 :-

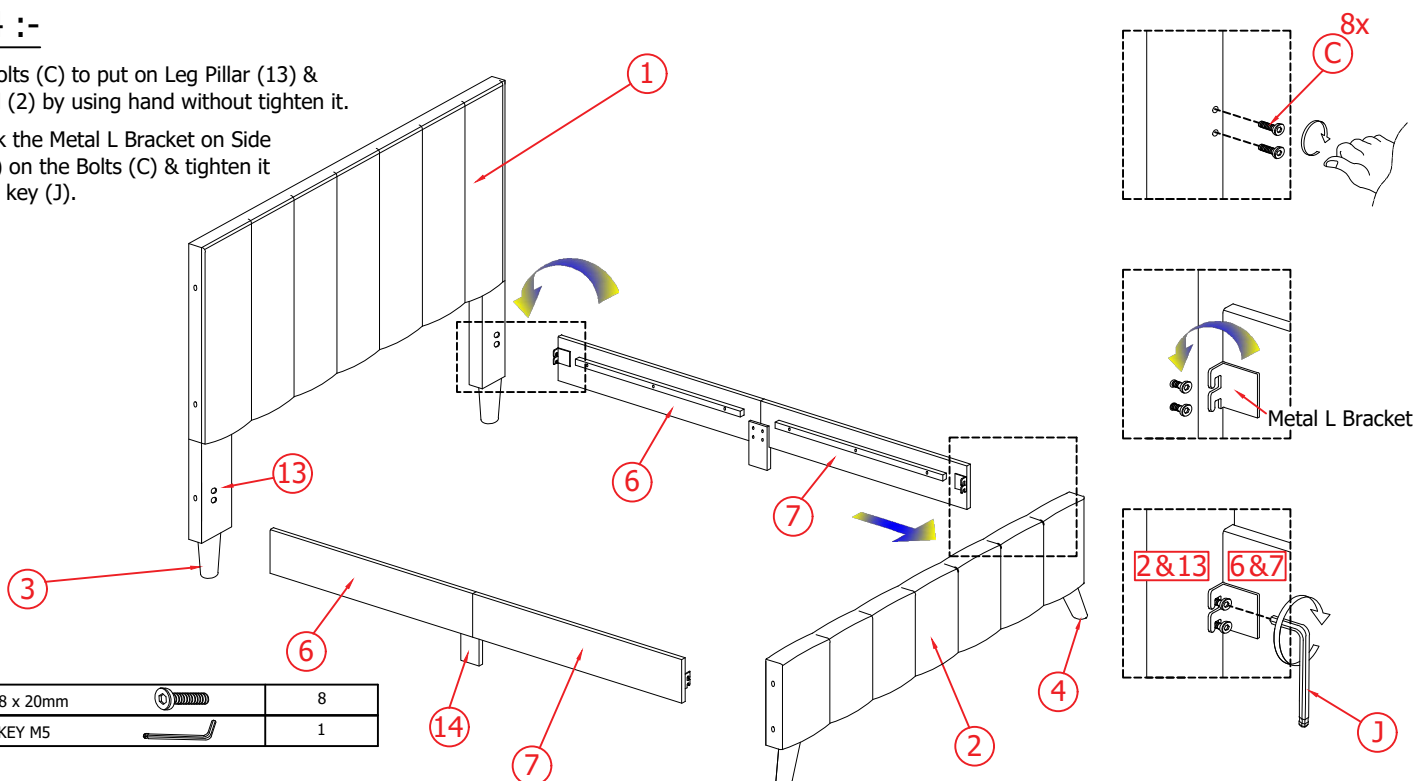
- Attach the HB Leg (3) with Leg Pillar (13) by using Plastic Washer (K)
- Then, Attach the Leg Pillar (13) on Headboard (1) by using the Spring Washer (H), Flat Washer (G), Bolt (F) & tight with Allen key (I).



F	JCBC M6 x 50mm		4
K	PLASTIC WASHER		2
G	FLAT WASHER M6		4
H	SPRING WASHER M6		4
I	ALLEN KEY M4		1

### STEP 4 :-

- Use the Bolts (C) to put on Leg Pillar (13) & Footboard (2) by using hand without tighten it.
- Next, hook the Metal L Bracket on Side Rail (6)(7) on the Bolts (C) & tighten it with Allen key (J).



C	JCBB M8 x 20mm		8
J	ALLEN KEY M5		1

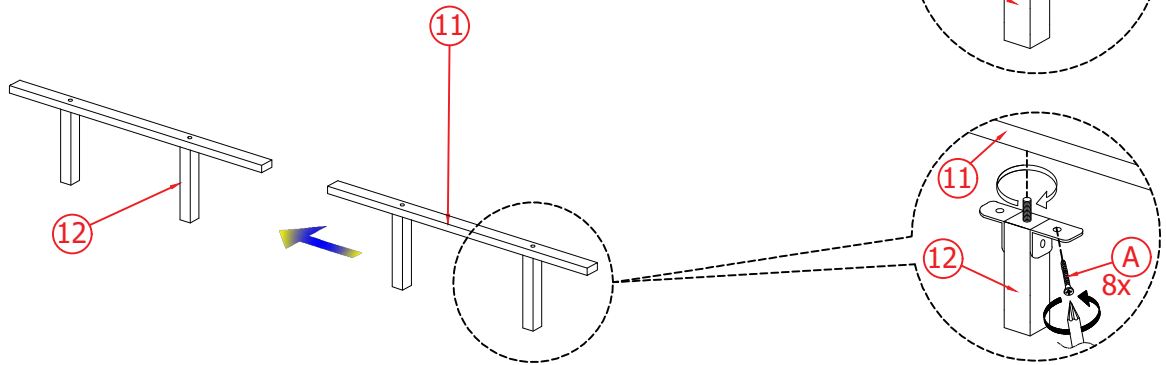
# ASSEMBLY INSTRUCTIONS :-


## DESCRIPTION : UPHOLSTERED BED

Thank you for purchasing this product & be sure to check all packing material carefully for small part that may have come loose inside the carton during shipment

### STEP 5 :-

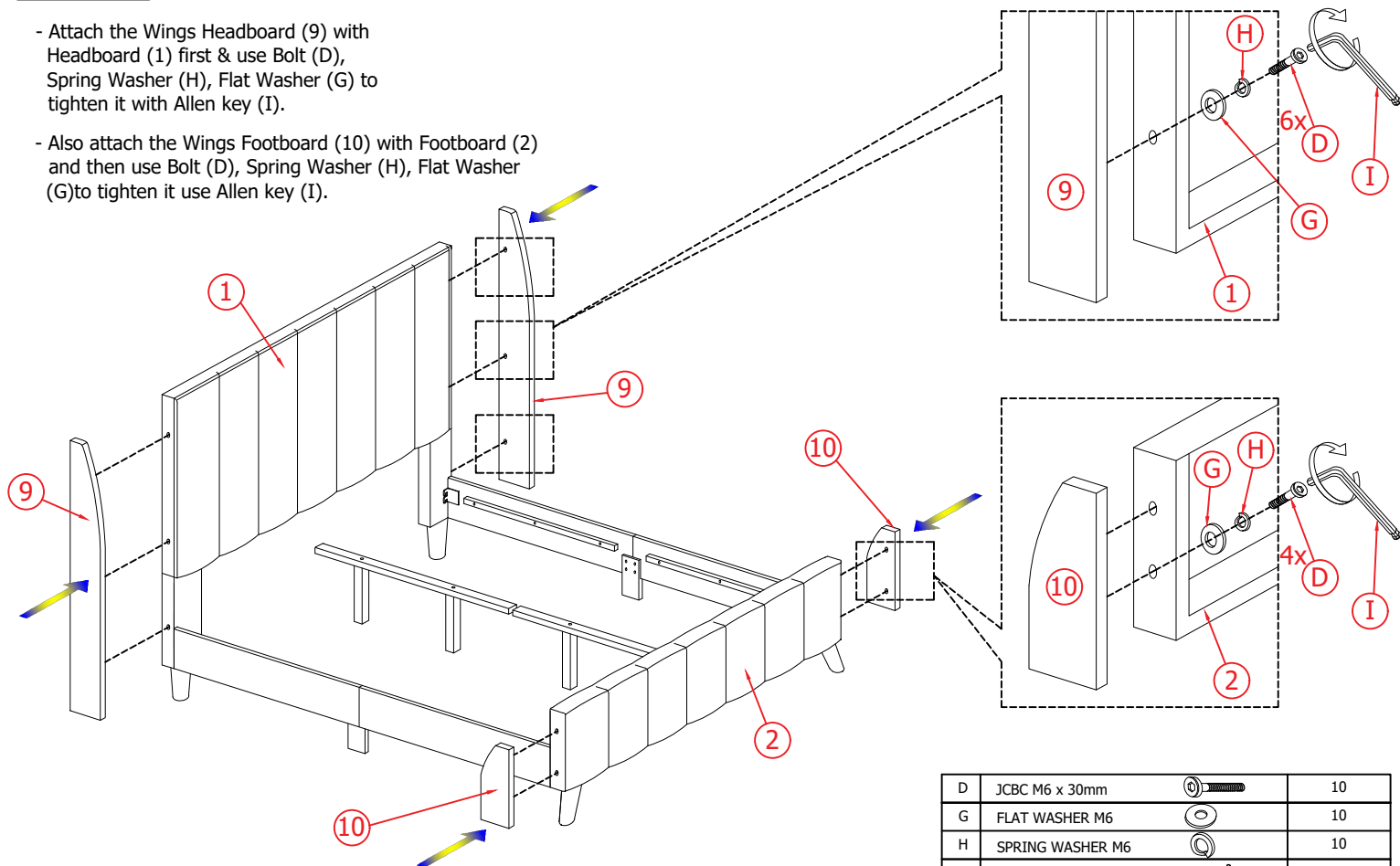
- Attach the Center Rail Support (12) with Bed Center Rail (11) first & use screw (A) to tighten it.







A	CSK M4 x 16mm		8
---	---------------	---	---

### STEP 6 :-

- Attach the Wings Headboard (9) with Headboard (1) first & use Bolt (D), Spring Washer (H), Flat Washer (G) to tighten it with Allen key (I).
- Also attach the Wings Footboard (10) with Footboard (2) and then use Bolt (D), Spring Washer (H), Flat Washer (G) to tighten it use Allen key (I).



D	JCBC M6 x 30mm		10
G	FLAT WASHER M6		10
H	SPRING WASHER M6		10
I	ALLEN KEY M4		1

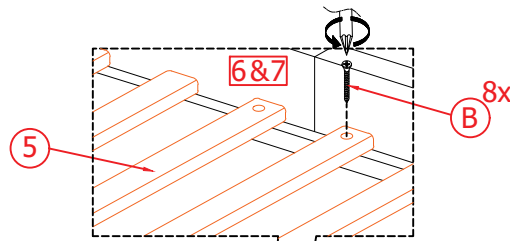
# ASSEMBLY INSTRUCTIONS :

## DESCRIPTION : UPHOLSTERED BED

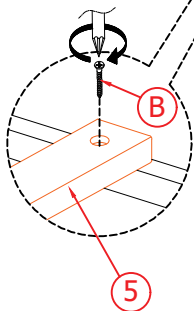
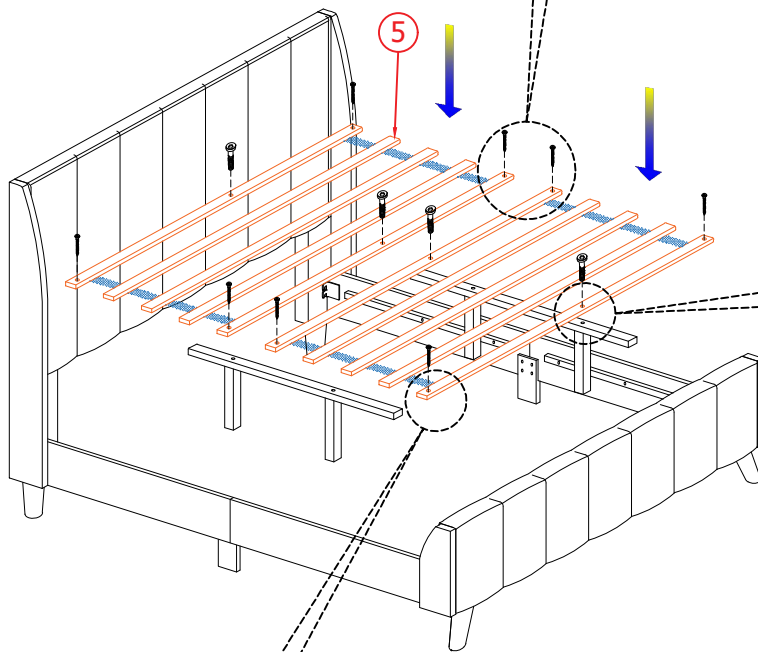
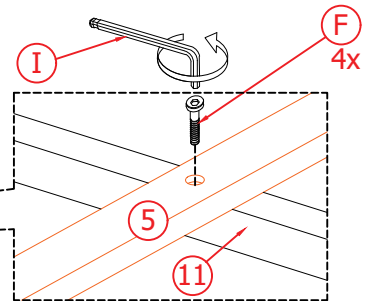
Thank you for purchasing this product & be sure to check all packing material carefully for small part that may have come loose inside the carton during shipment




### STEP 7 :-

- Put the Slat (5) on the Side Rail (6)(7) of the bed to be neat, then tighten it by using Screw (B).



- Afterwards, attach Bed Center Rail (11) with Slat (5) by using the Bolt (F) & Allen key (I).



B	CSK M4 x 32mm		8
F	JCBC M6 x 50mm		4
I	ALLEN KEY M4		1