



Item # : AR500SB

Description : Ariana Bar Table / Server

Product Size : W 21 " x D 51 " x H 41"

Your furniture purchase is an investment. Here are a few tips to maximize the lifetime of your furniture with a minimum amount of effort. Properly caring for your furniture can help ensure that it looks great year after year.

Wood Furniture Maintenance:

- Always dust, wipe, and clean with the grain of the wood.
- Dust with a soft cloth. Dust will scratch the furniture surface if not removed properly.
- Use the same type of polish consistently as interchanging oil-based and wax-based polishes will cause a build-up and result in a foggy or cloudy appearance.
- If a polished surface becomes foggy, rub it with a cloth dipped in a solution of one tablespoon vinegar to one quart of water. Rub softly with the grain until the surface is completely dry.
- Soap and water are not advisable for wood surfaces. Water can penetrate the finish and raise the grain on wood, causing damage.
- Remember to change dusting cloths frequently as dirty cloths may scratch your furniture's surface.

The Enemies of Wood:

- Moisture is wood's worst enemy. Liquid spills should be gently wiped up immediately. Coasters should be used under all beverages.
- Do not allow rubber or vinyl materials to lie on the furniture. Chemicals in rubber may leave a stain. Put a strip of felt or leather under accessories that have rubber or vinyl.
- Heat creates a chemical change in the furniture's finish, which results in a white spot. Use protective pads under hot dishes, appliances, etc.
- Sunlight's ultraviolet rays can damage the finish of furniture. Do not place furniture directly against a heater or radiator and do not place in the path of hot streams of air from central heating. This will cause extreme localized drying of the wood.

High Gloss Resin Table Maintenance:

- Resin tabletops have approximately 1/8" of a resin coat on the top face of the table, which will resist ice, water, wine, liquor, food, cleaning fluids, and warm or hot liquids; however, cups, glasses, etc. containing hot liquids should not be left on the table without a coaster for protection.
- Resin tabletops will scratch just the same as any other glossy surface and basic precautions should be taken.
- For lasting shine, the resin table should be waxed with a car wax that does not contain silicon. Maintaining this wax build-up will result in a high gloss shine.
- When wiping down the table, a soft, clean rag should be used. Do not use a heavy paper.

Granite Top Maintenance:

The surface of the granite on your table has been polished or sealed to create a generally non-porous surface. The stone has many natural characteristics including: veining, hairline cracks, and color variations - which make up the stone's beauty.

To maintain the beauty of your granite:

- Protect surfaces from scratching, staining and etching by:
 - * Keeping them free of debris or sharp objects
 - * Wiping up spills immediately
 - * Avoiding contact with chemicals (particularly acid-based materials)
 - Clean with pH neutral products or those especially formulated for use on stone.
 - It is not recommended to use a water-based solvent for dark granite as it will remove the polish from the surface.
 - After a period of use, apply a penetrating sealer to prevent contaminants from being absorbed into the stone.
 - Remove stains with special absorbent poultices formulated for use on stone.
 - Renew the surface on polished granite (granite with a high gloss surface by buffing with special stone polish, powder or cream.
- Do not use granite polish on granite with a matte finish, which has been honed rather than polished. (Penetrating sealer may be used on both polished and honed granite.)

Marble Top Maintenance:

Marble may be stone, but it is porous stone and can stain easily. Treating marble surfaces the same as wood surfaces is a great rule of thumb.

- It is recommended to seal the tops on a regular basis (every 6 to 12 months). A good quality stone sealer can be purchased from any tiles/stone store or any homecare store and should be applied according to the manufacturer's recommendation.
- When sealed properly, marble tops can be used indoors and outdoors and can withstand any weather conditions except internal freezing. Snow or freezing rain will penetrate the table and cause cracks.

Caring for the Fabric on Upholstered Furniture:

- Frequent vacuuming of the entire upholstered area will prevent dust from settling into the fibers.
- Professional cleaning is always recommended for all upholstered pieces.
- Always pre-test a small area of fabric in an inconspicuous area when cleaning before proceeding.
- Do not use cleaning products containing brightening agents.

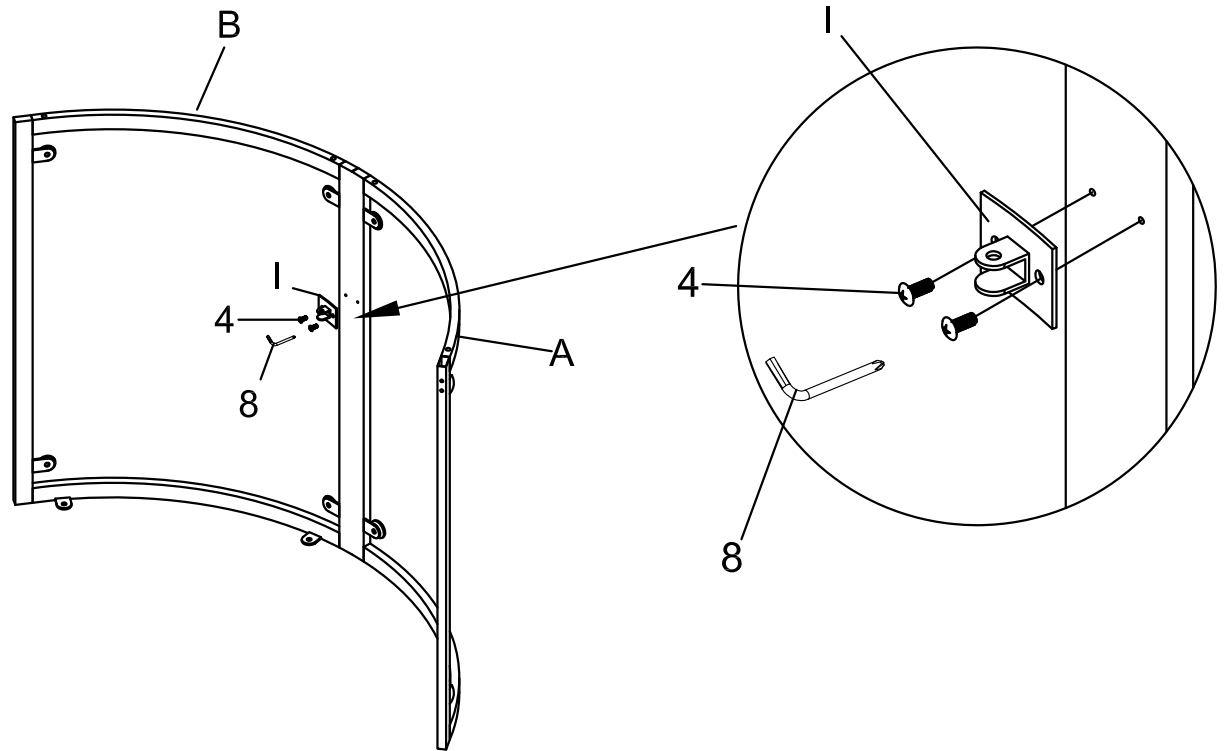
VERY IMPORTANT!!

<p>NEVER USE GLASS CLEANERS ON FINISHED SURFACES. AMMONIA WILL CHEMICALLY ATTACK THE FINISH.</p>	<p>DO NOT WRITE DIRECTLY ON SURFACE </p> <p>PREVENT MARKING</p>	<p>DO NOT PLACE DIRECTLY IN SUNLIGHT </p> <p>PREVENT FADING</p>	<p>DO NOT USE PLACEMATS WITH RUBBER BASES </p> <p>PREVENT DISCOLORING</p>
<p>NEVER ALLOW LIQUIDS OF ANY KIND TO LINGER ON SURFACES. ABSORPTION CAUSES THE WOOD TO WARP AND THE FINISH TO DE-LAMINATE.</p>	<p>DO NOT USE COMMERCIAL POLISHES AND WAXES </p> <p>PREVENT YELLOWING</p>	<p>DO NOT PLACE HOT POTS, ETC. ON SURFACE </p> <p>PREVENT DAMAGE TO FINISH!</p>	<p>REGULATE THE HUMIDITY CONDITIONS AT YOUR HOME </p> <p>PREVENT SPLITTING</p>

AR500SB

ASSEMBLY INSTRUCTIONS

STEP 1

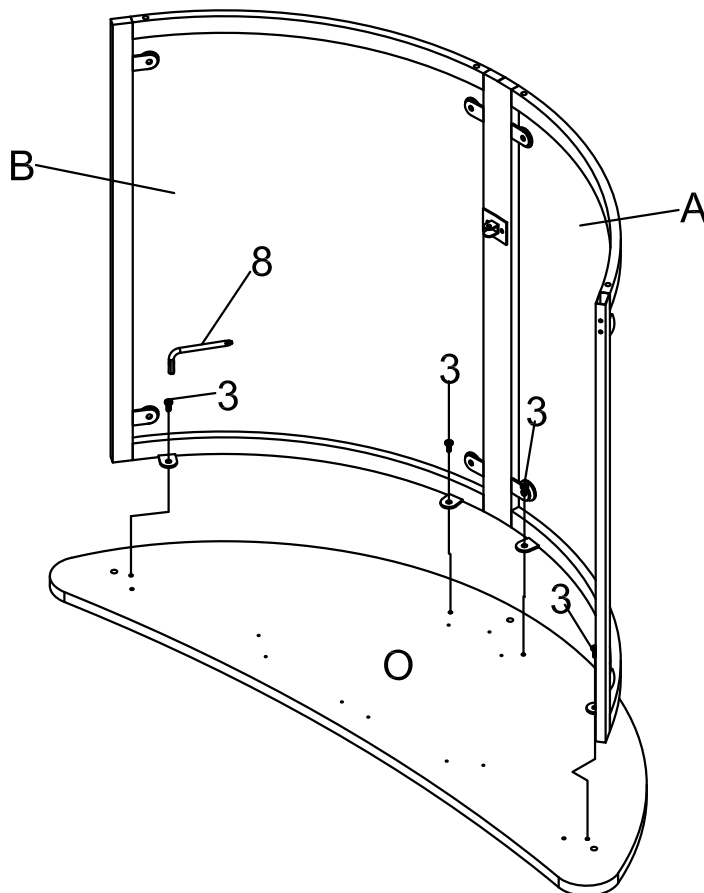


STEP 1:

Attach RSF Frame (A) and LSF Frame (B) as shown. Align the Connecting Bracket (I) to the pre-drilled holes on the frames.

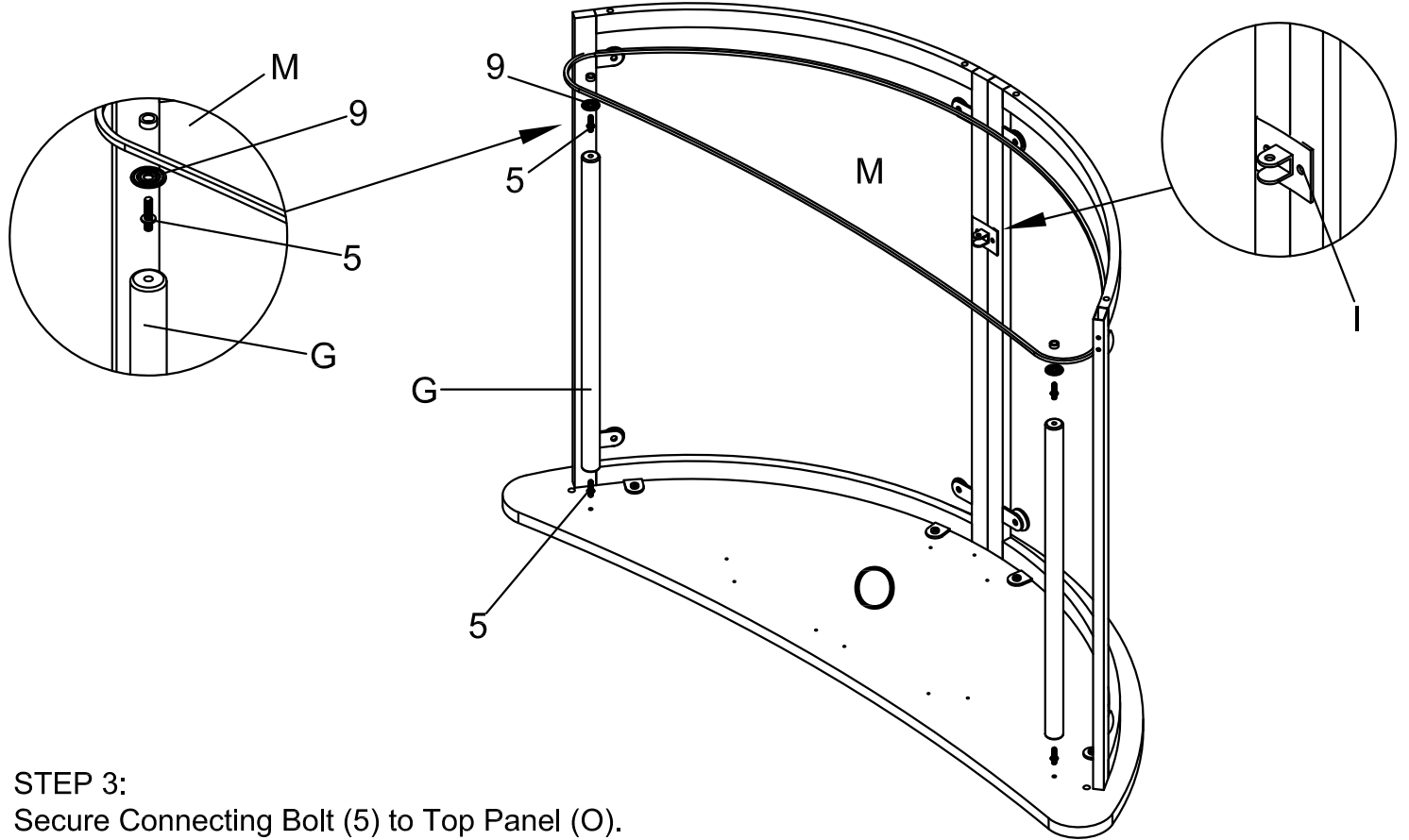
Insert Cross Bolt (4) into the frames through the Connect Bracket (I). Tighten Bolts with an Allen Key (8).

STEP 2



STEP 2:

Attach frame assembly to Top Panel (O) using Short Bolt (3). Tighten short bolt with an Allen Key (8).



STEP 3:

Secure Connecting Bolt (5) to Top Panel (O).

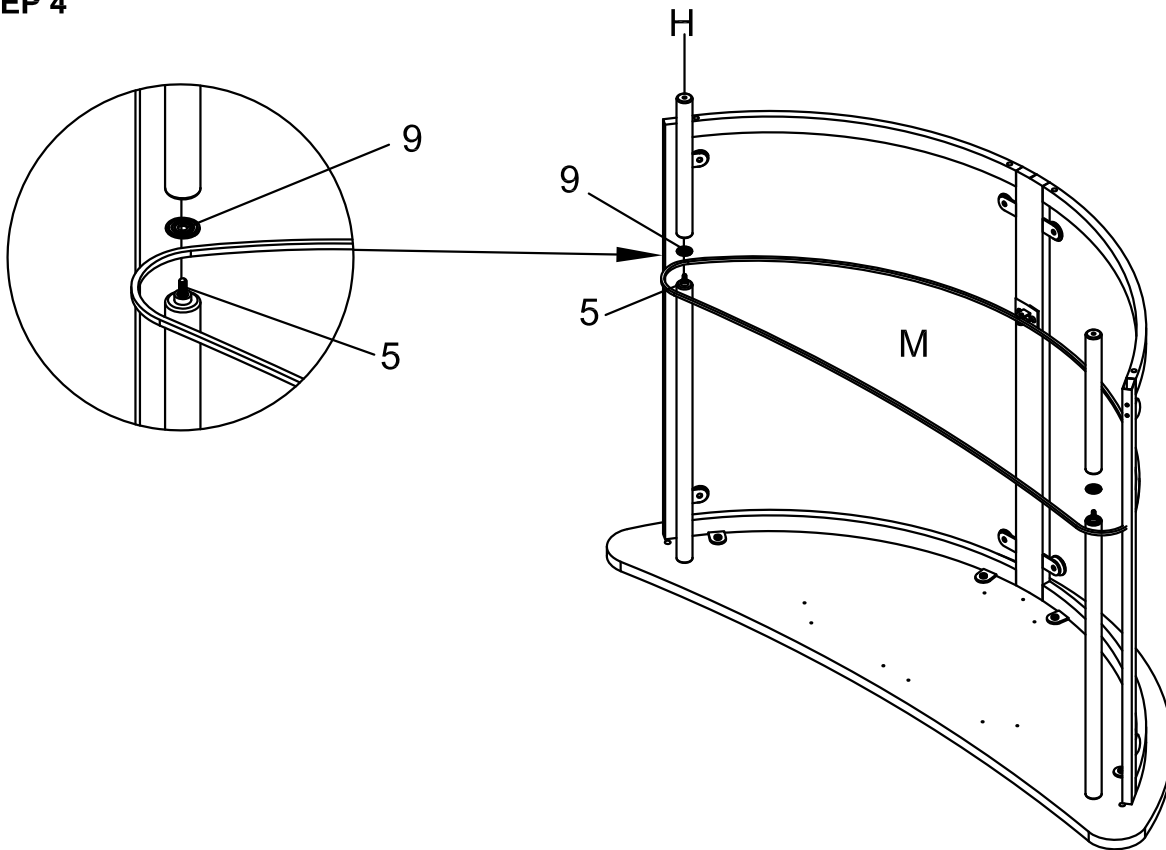
Attach Long Pole (G) to the Connecting Bolt (5) by turning Long Pole (G) clockwise until fasten.

Insert Connecting Bolt (5) into the other end of Long Pole (G)). Turn the bolts clockwise until fasten.

Place Washer (9) through the Connecting Bolt (5). Repeat the steps for the remaining Long Pole (G).

Place the Glass Shelf (M) onto the Washer (9) and Connecting Bracket (I).

STEP 4

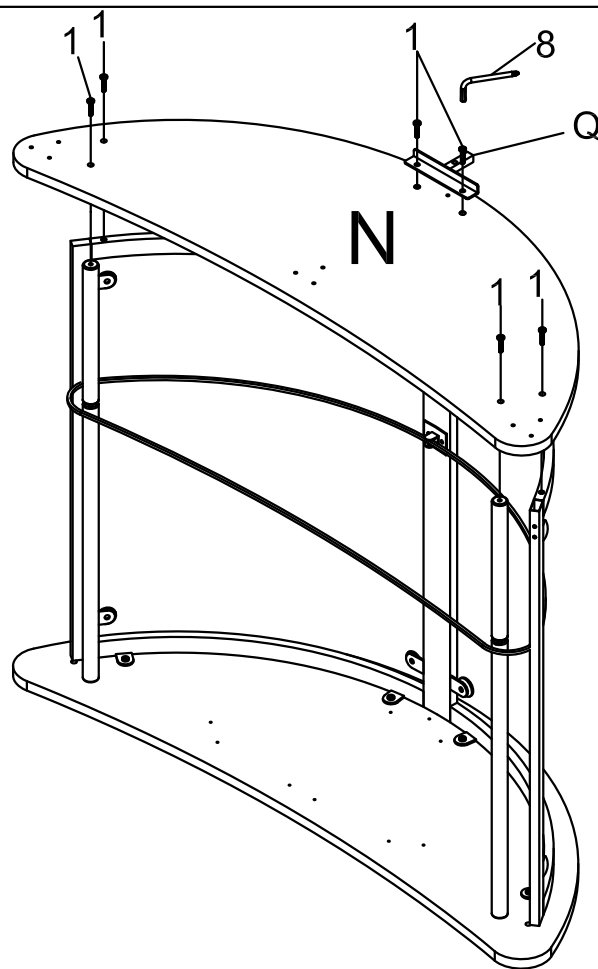


STEP 4:

Secure Connecting Bolt (5) to the Glass Shelf (M). Insert Washer (9) through Connecting Bolt (5).

Attach Medium Pole (H) to Washer (9) and Connecting Bolt (5). Turn the Medium Pole (H) clockwise until locked.

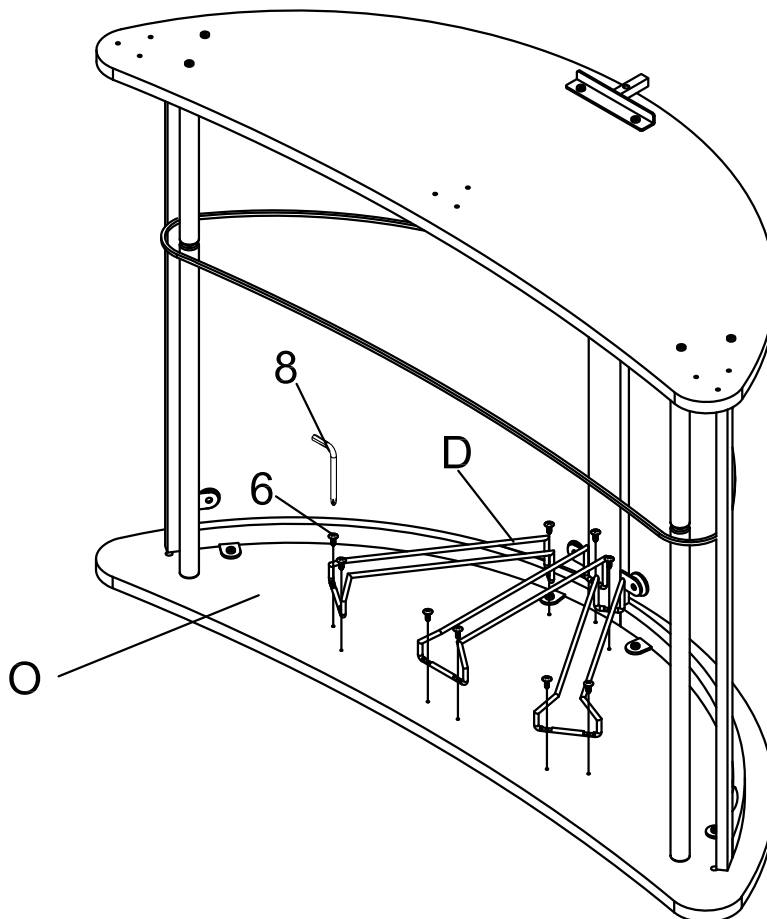
Repeat for both Medium Pole (H).



STEP 5:

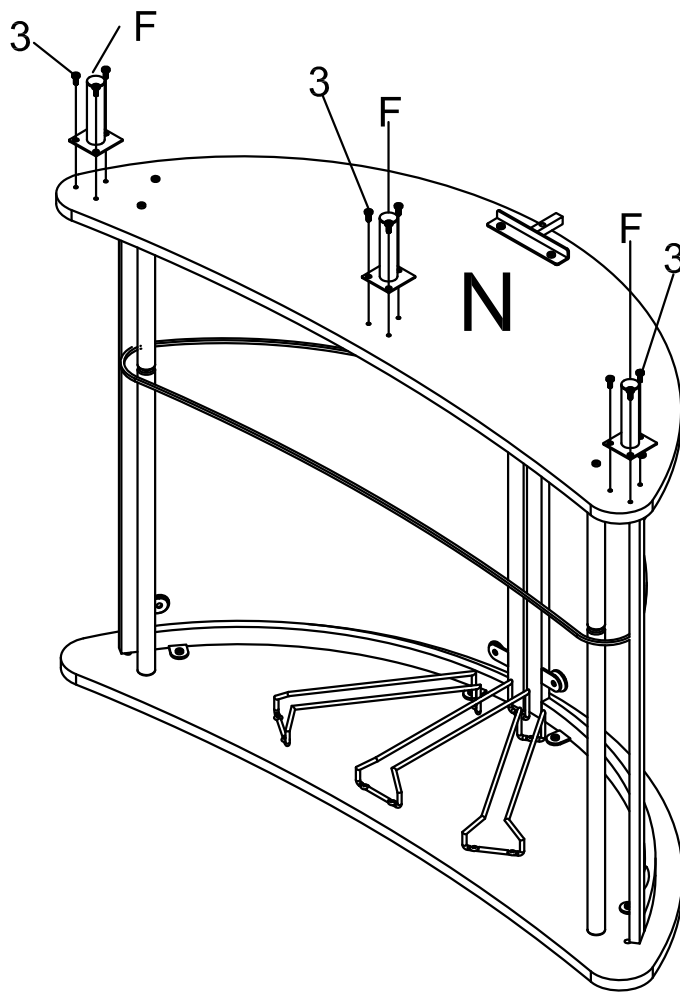
Attach Base (N) to RSF/LSF Frame (A,B) by using Long Bolt (1). tighten with an Allen Key (8).
 Insert Long Bolt (1) into Support Metal (Q). Fasten with an Allen Key (8).

STEP 6



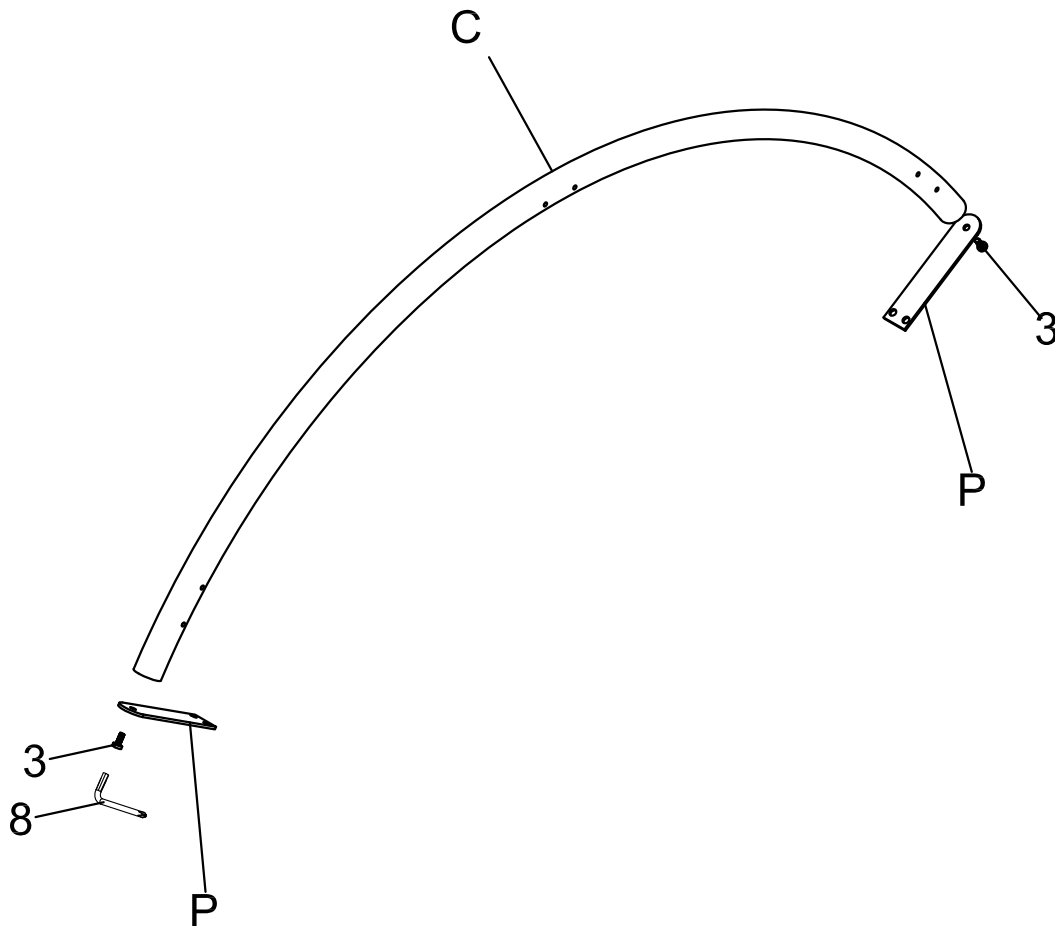
STEP 6:

Add Wine Glass Holder (D) to Top Panel (O) using Screw (6). Tighten Screw (6) by an Allen Key (8).

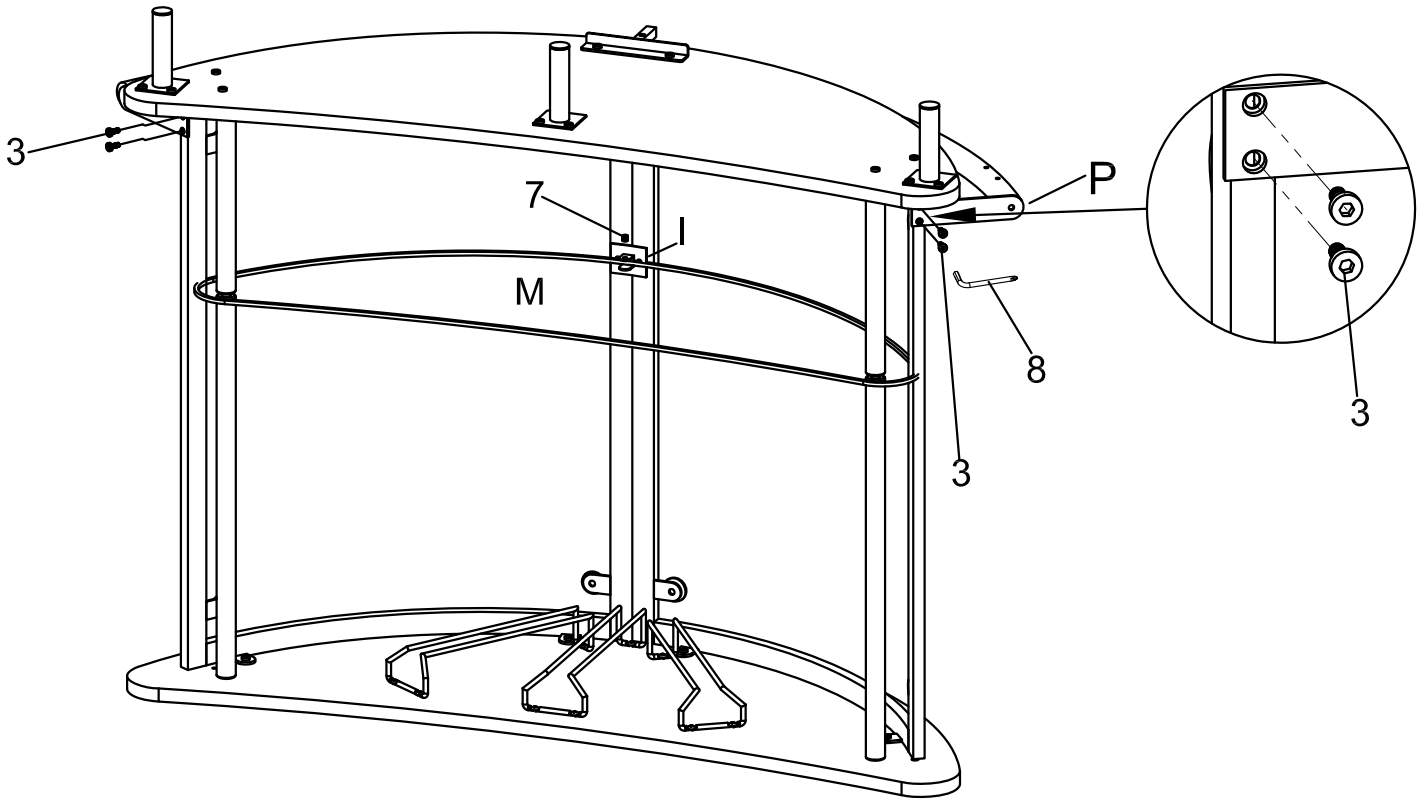


STEP 7:
Attach Leg (F) to Base (N) using Short Bolt (3). Tighten short bolts with an Allen Key (8).

STEP 8



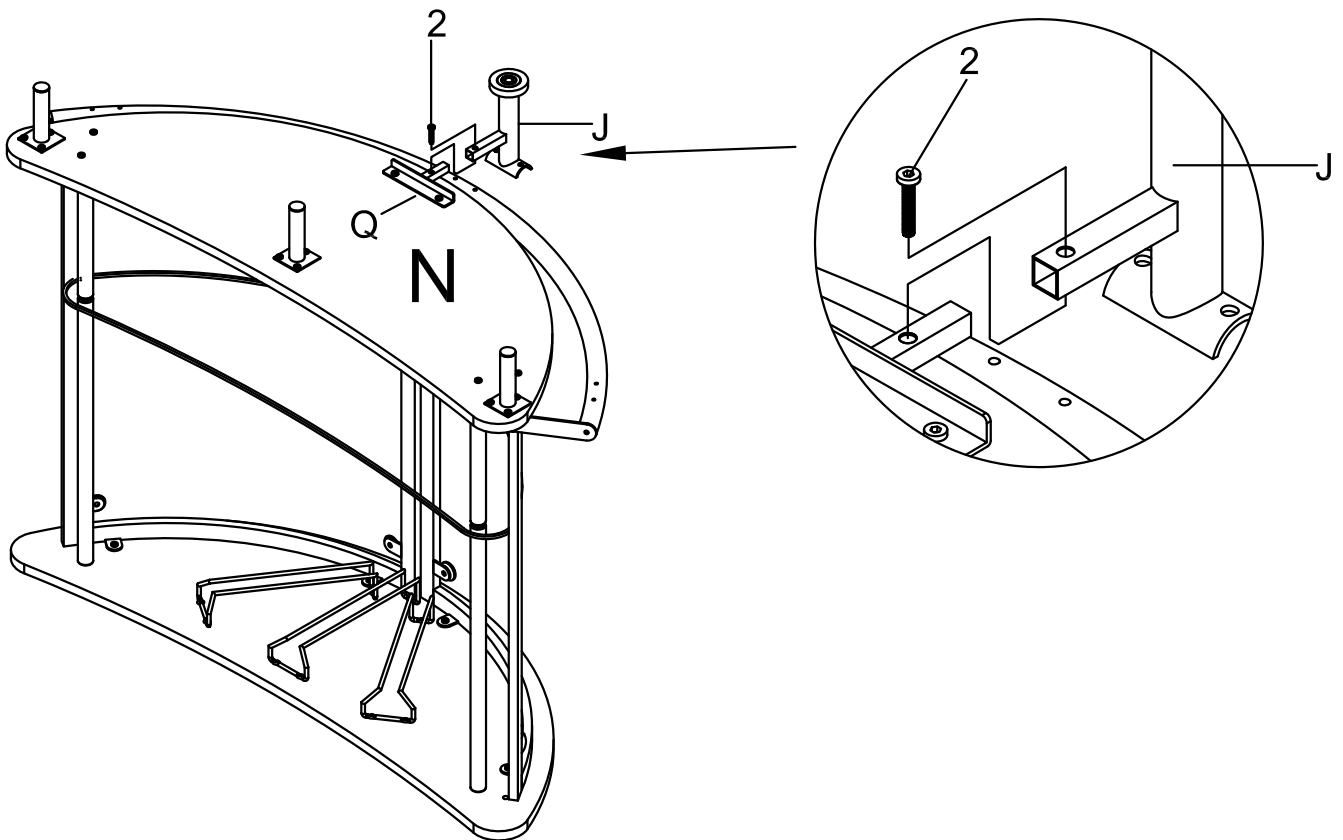
STEP 8:
Insert Short Bolt (3) through Connecting Plate (P) into Foot Rest (C) as picture shown. Secure short bolts with an Allen Key (8).



STEP 9:

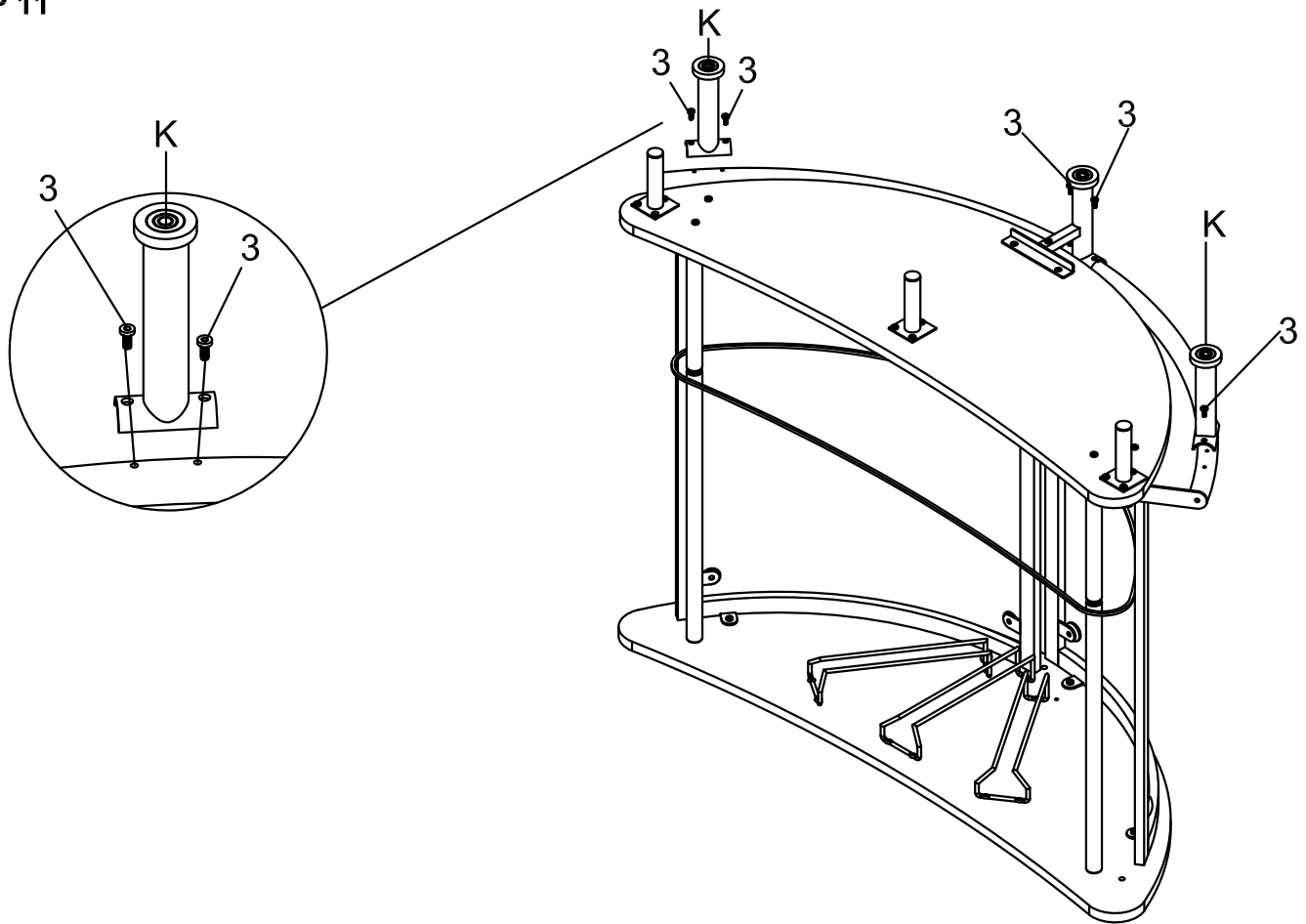
Align Connecting Plate (P) to the pre-drilled holes on RSF/LSF Frame (A,B), and secure with Short Bolt (3). Tighten short bolts with an Allen Key (8). Insert Glass Bolt (7) into the pre-drilled holes of Connecting Bracket (I), tighten with an Allen Key (8).

STEP 10



STEP 10:

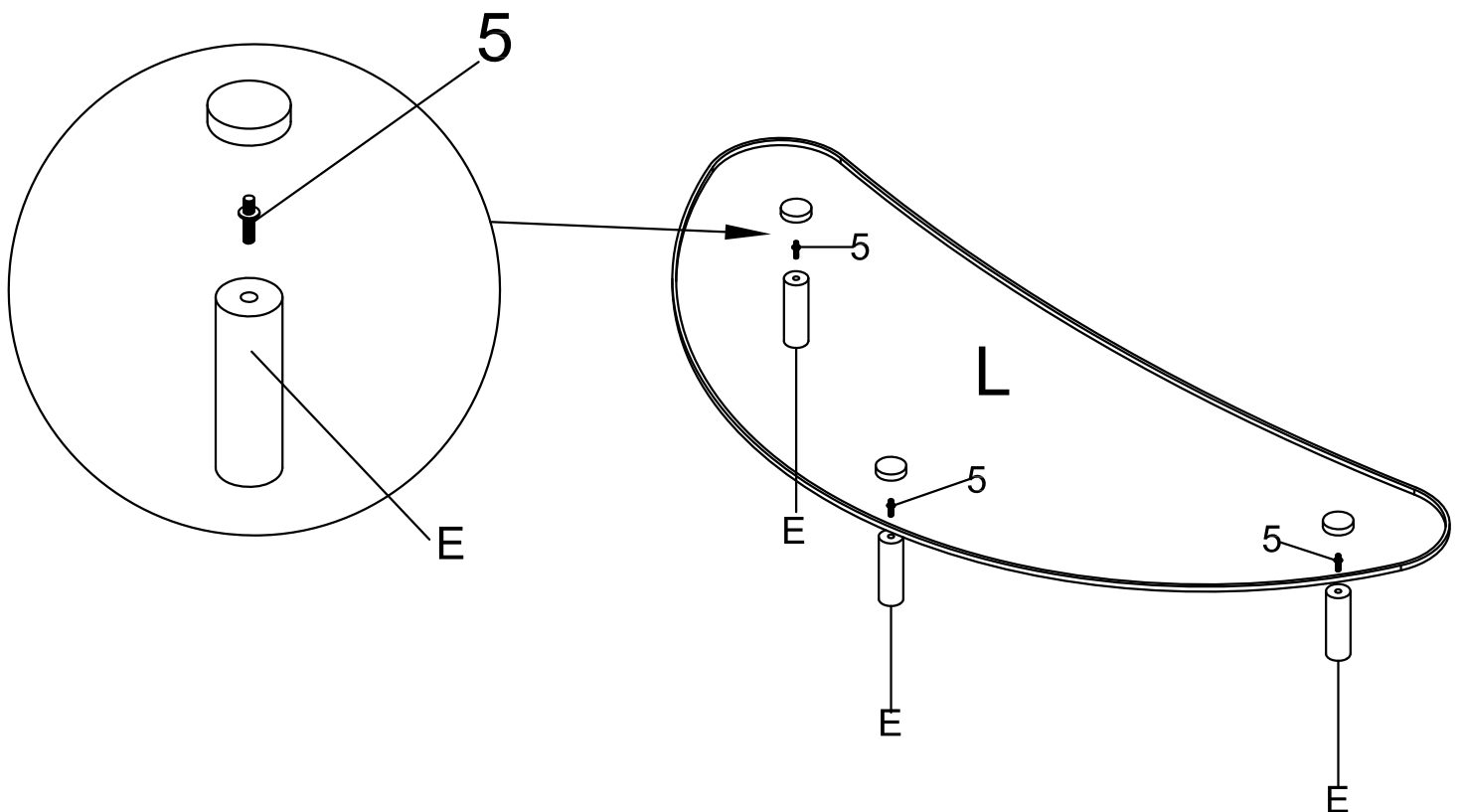
Insert Middle Support Bar (J) into the Support Leg Bracket (Q) and screw Medium Bolt (2) onto Base (N).



STEP 11:

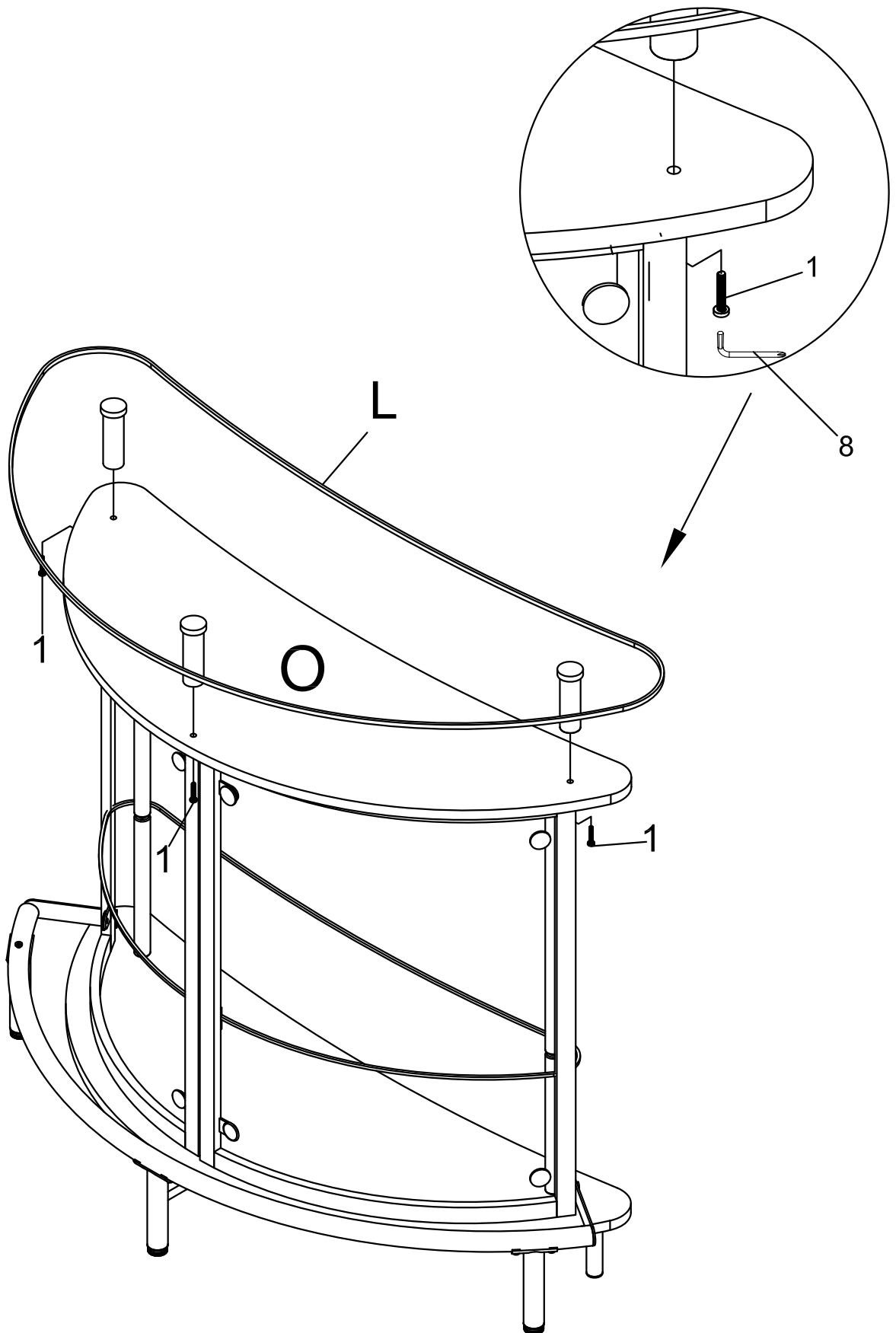
Attach Center/Side Supporting Leg (J,K) to Foot Rest using Short Bolt (3). Tighten short bolts with an Allen Key (8).

STEP 12



STEP 12:

Place Glass Top (L) on a soft and clean surface to prevent glass top from scratch. Insert Connecting Bolt (5) into the Short Pole (E), turn the bolts clockwise until fasten. Attach Short Pole (E) to Glass Top (L) as shown.

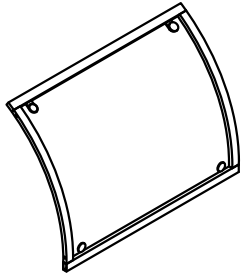
**STEP 13:**

Turn the table assembly in Step 11 to upright position, align assembly Glass Top (L) to Top Panel (O) by using Long Bolt (1) through the pre-drilled holes as picture shown.

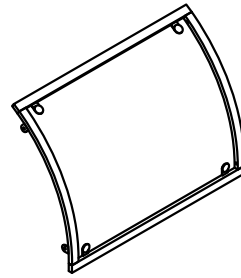
Tighten with an Alleny Key (8).

PARTS LIST

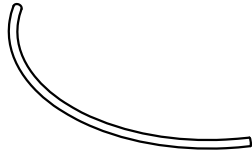
(A) RSF FRAME (1PC)



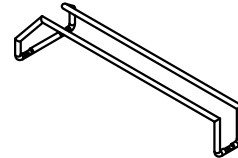
(B) LSF FRAME (1PC)



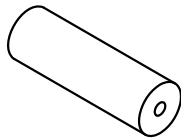
(C) FOOT REST (1PC)



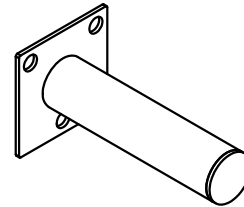
(D) WINE GLASS HOLDER (3PCS)



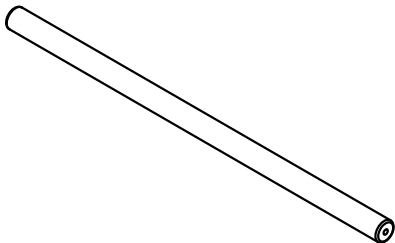
(E) SHORT POLE (3PCS)



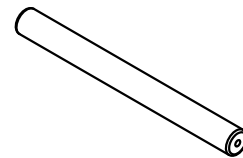
(F) LEG (3PCS)



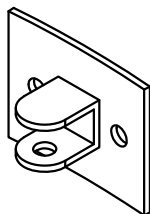
(G) LONG POLE (2PCS)



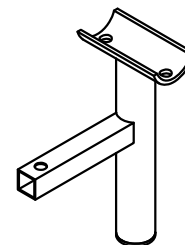
(H) MEDIUM POLE (2PCS)



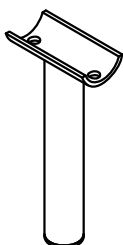
(I) CONNECTING BRACKET (1PC)



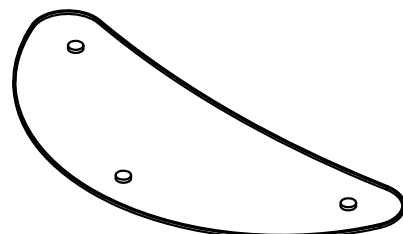
(J) CENTER SUPPORTING LEG (1PC)




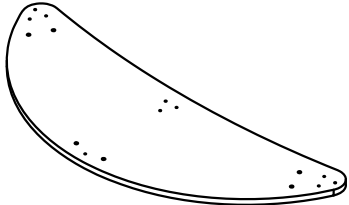
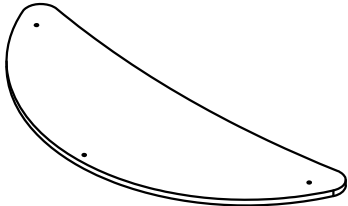

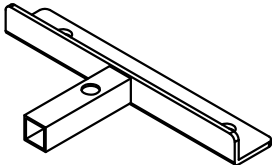
(K) SIDE SUPPORTING LEG (2PCS)













(L) GLASS TOP (1PC)



PARTS LIST

<p>(M) GLASS SHELF (1PC)</p> 	<p>(N) BASE (1PC)</p> 
<p>(O) TOP PANEL (1PC)</p> 	<p>(P) CONNECTING PLATE (2PCS)</p> 
<p>(Q) SUPPORT LEG BRACKET (1PC)</p> 	

HARDWARE PACK # : PAR500SBH

NO.	DESCRIPTION	SIZE	Q'TY	
1		LONG BOLT	φ1/4" x 35mm	9pcs
2		MEDIUM BOLT	φ1/4" x 25mm	1pc
3		SHORT BOLT	φ1/4" x 13mm	25pcs
4		CROSS BOLT	φ3/16" x 12mm	2pcs
5		CONNECTING BOLT	10 x 33mm	7pcs
6		SCREW	4 x 12mm	9pcs
7		GLASS BOLT	10mm	1pc
8		ALLEN KEY	4mm	1pc
9		WASHER	φ6.5 x 25mm	4pcs
10		WRENCH	1/4"	1pc

