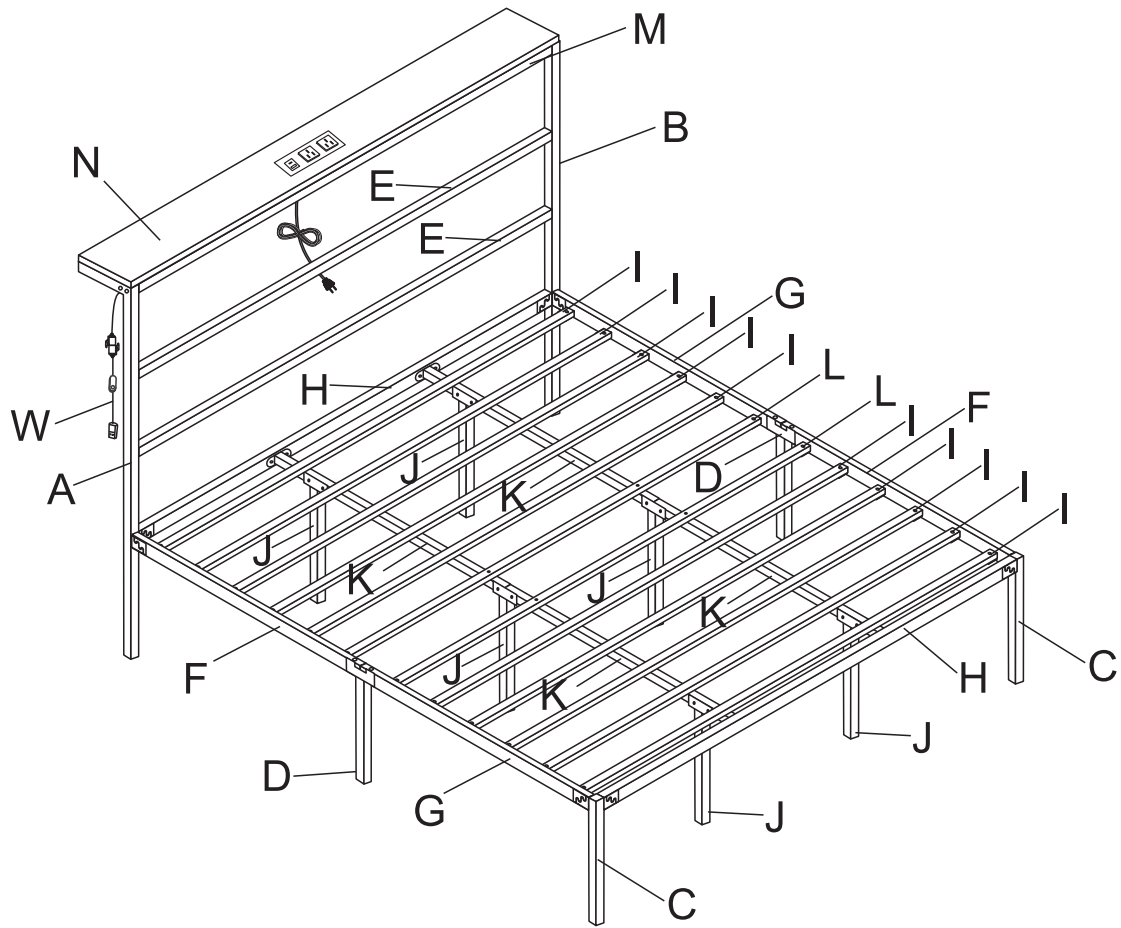


THANK YOU FOR PURCHASING BED

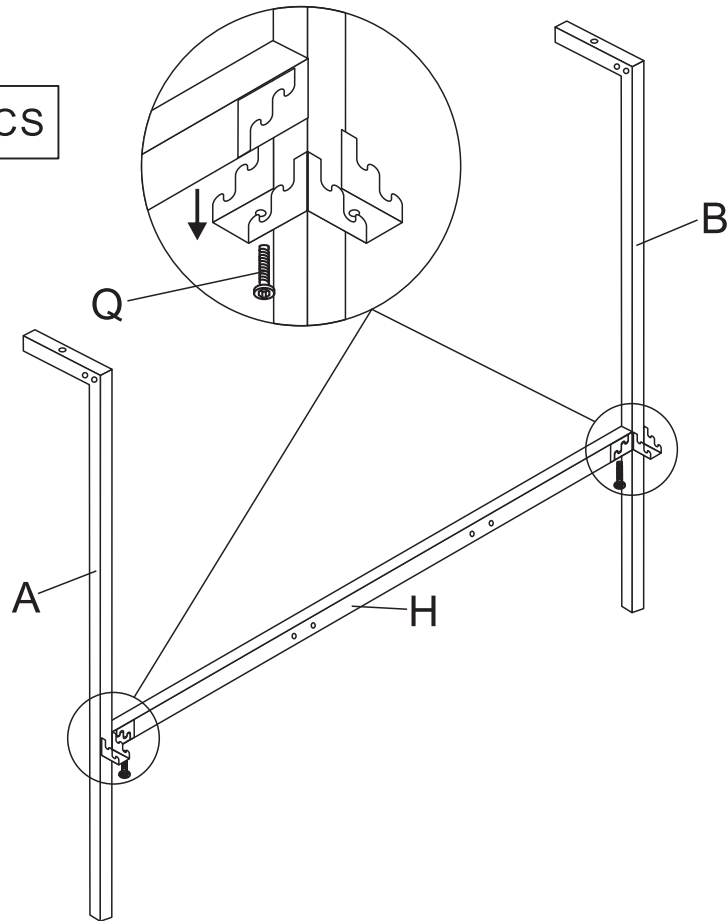
PARTS LIST



A 1PC	B 1PC	C 2PCS	D 2PCS	E 2PCS	F 2PCS	G 2PCS
H 2PCS	I 10PCS	J 6PCS	K 4PCS	L 2PCS	M 1PC	N 1PC
O 8PCS	P 12PCS	Q 20PCS	R 28PCS	S 5PCS	T 2PCS	U 7PCS
V 1PC	W 1PC					

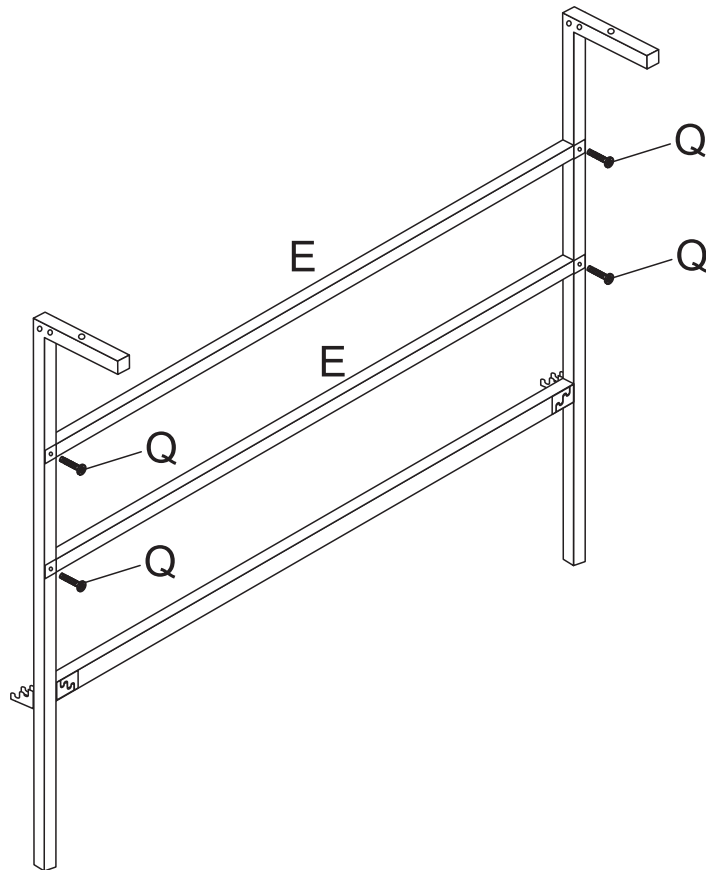
1

Q M8*20 2PCS



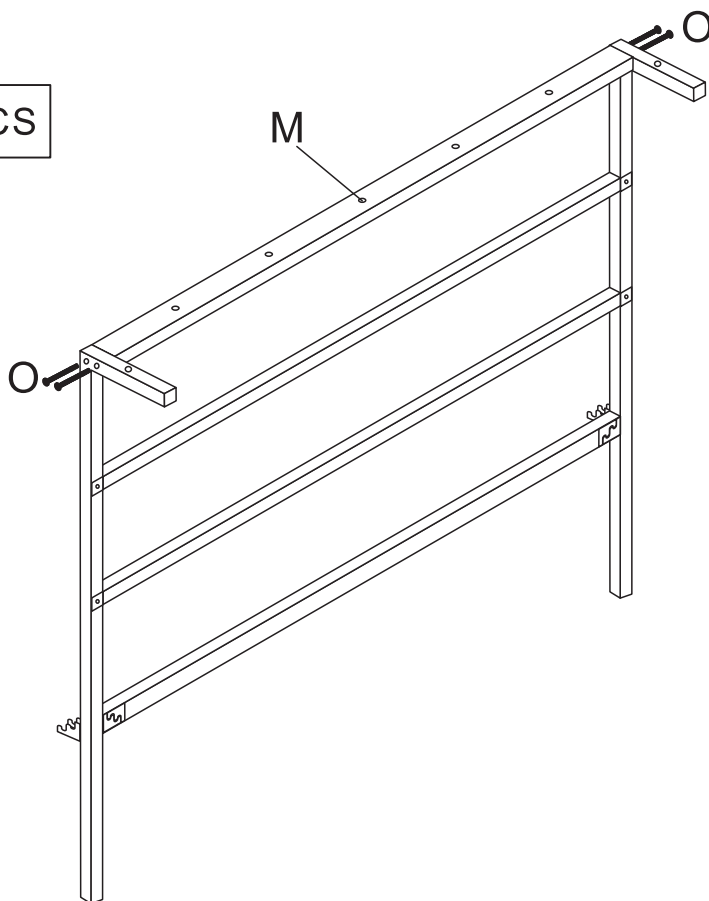
2

Q M8*20 4PCS



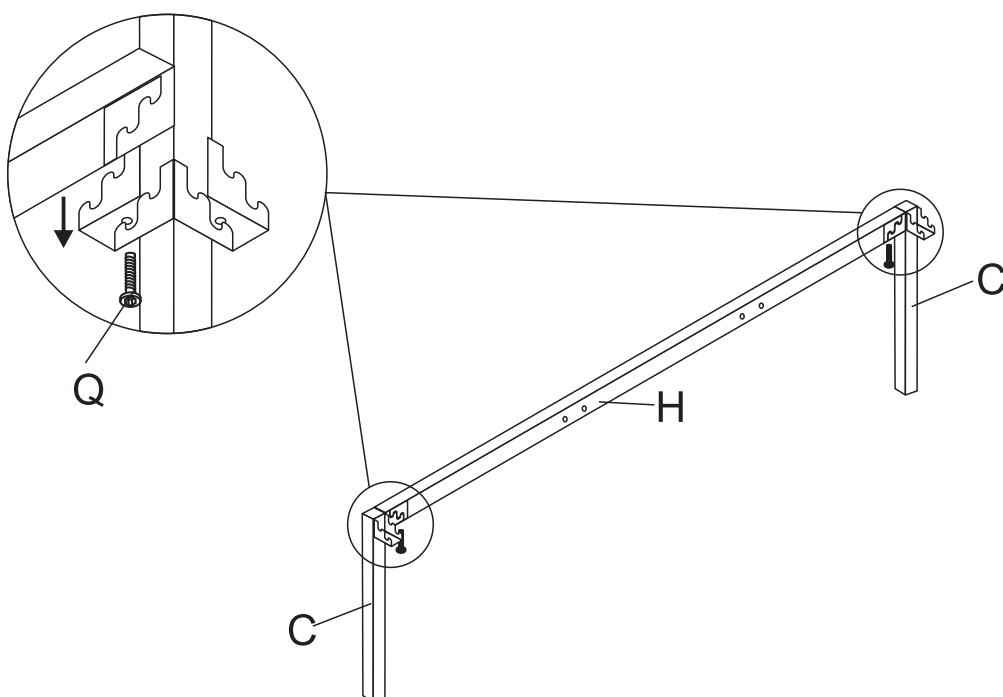
3

O M8*50 4PCS



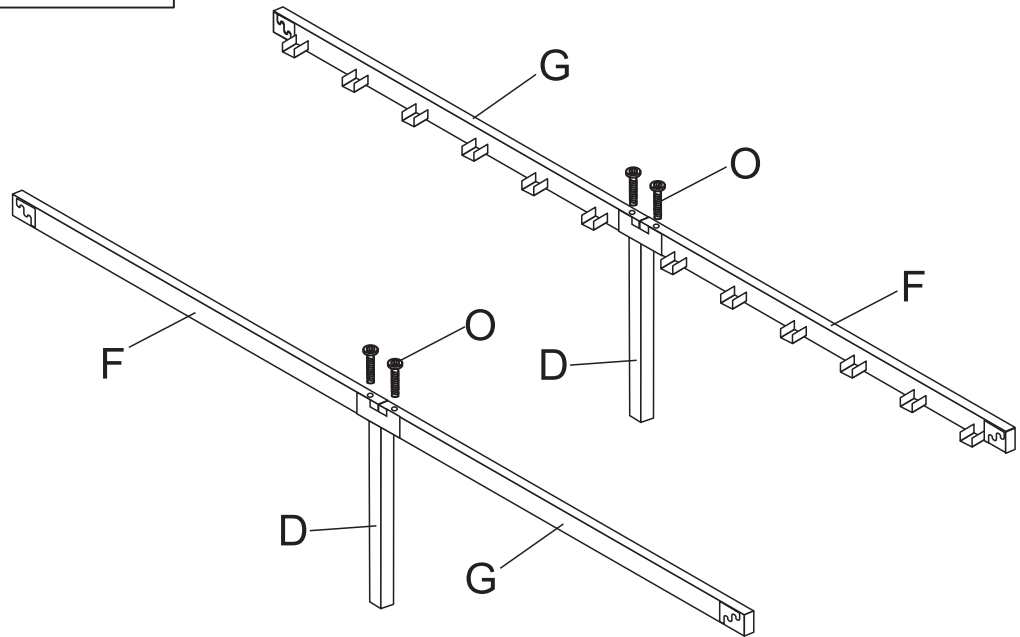
4

Q M8*20 2PCS



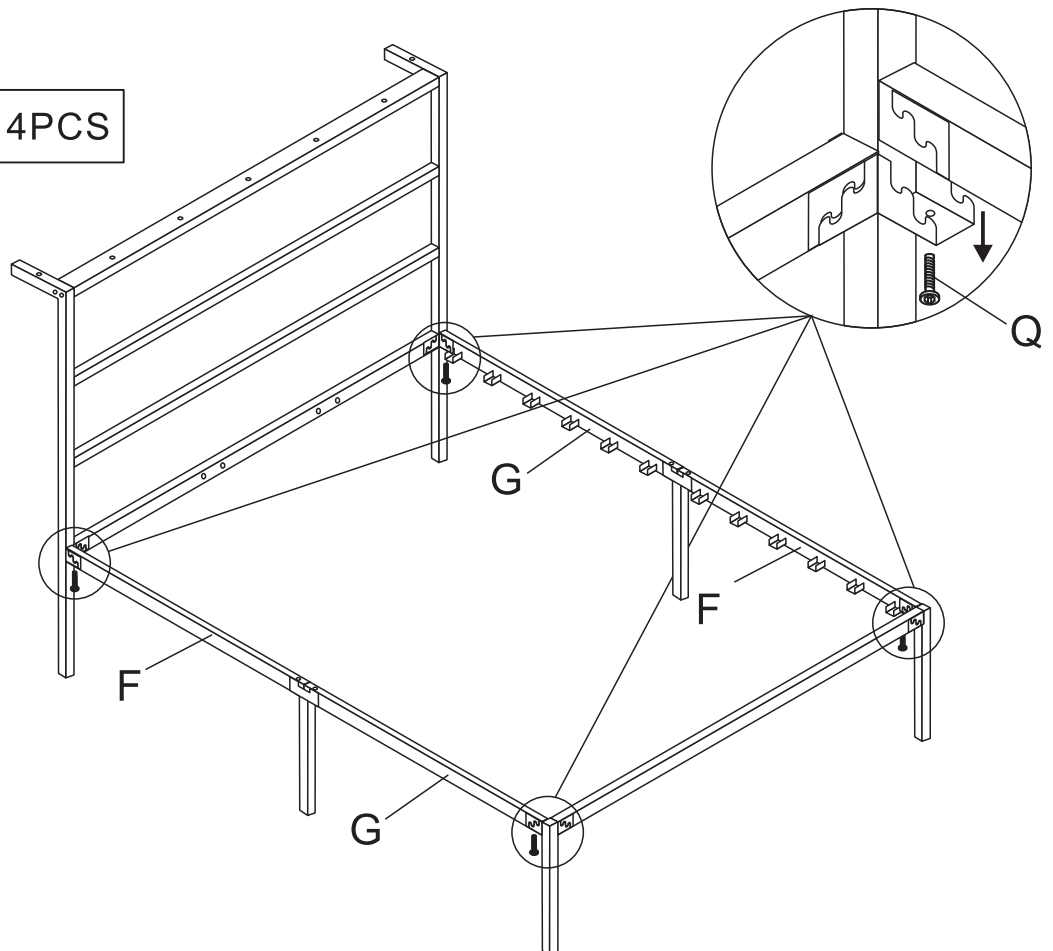
5

O M8*50 4PCS



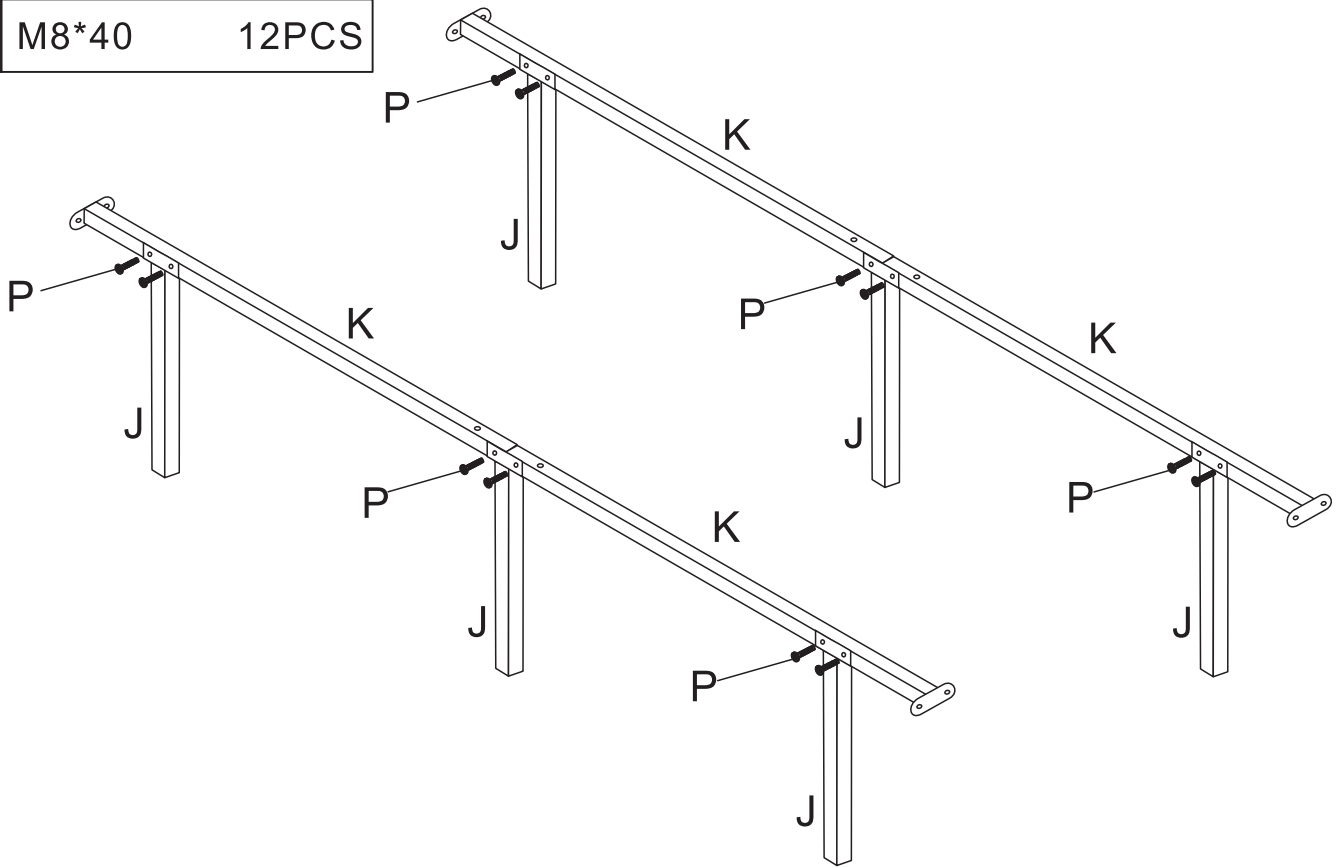
6

Q M8*20 4PCS



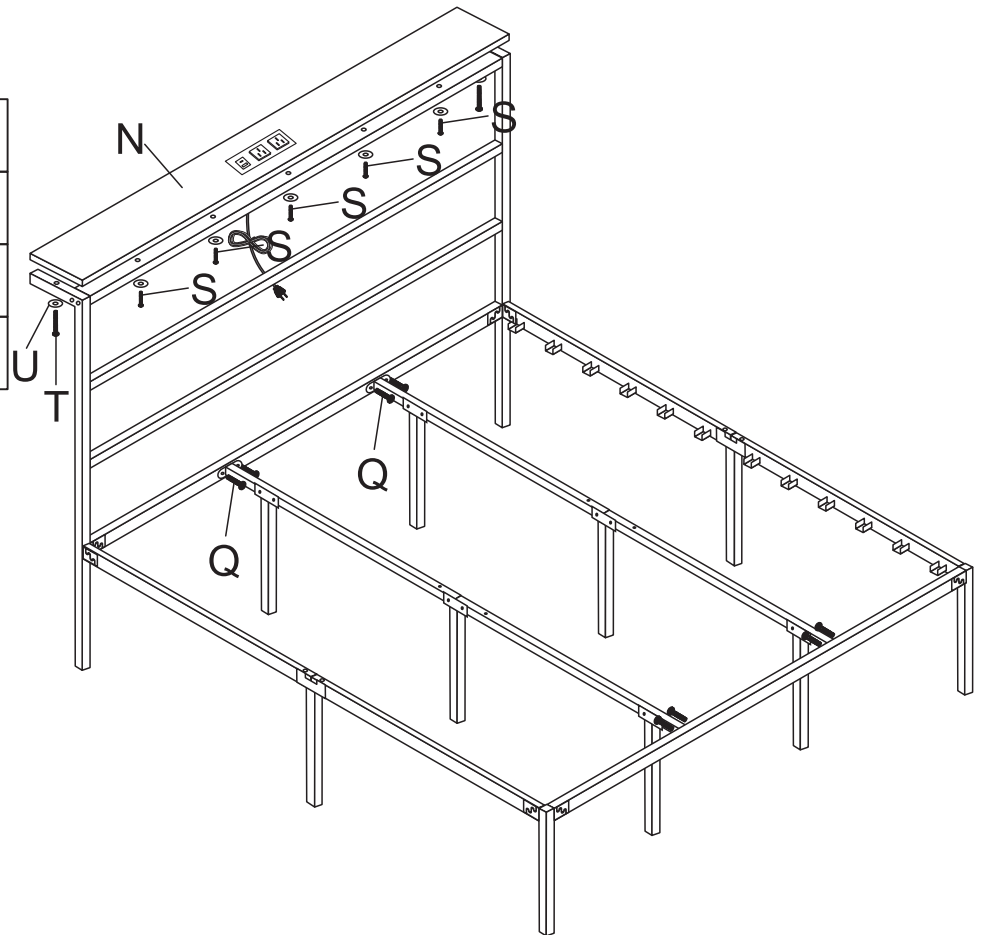
7

P	M8*40	12PCS
---	-------	-------



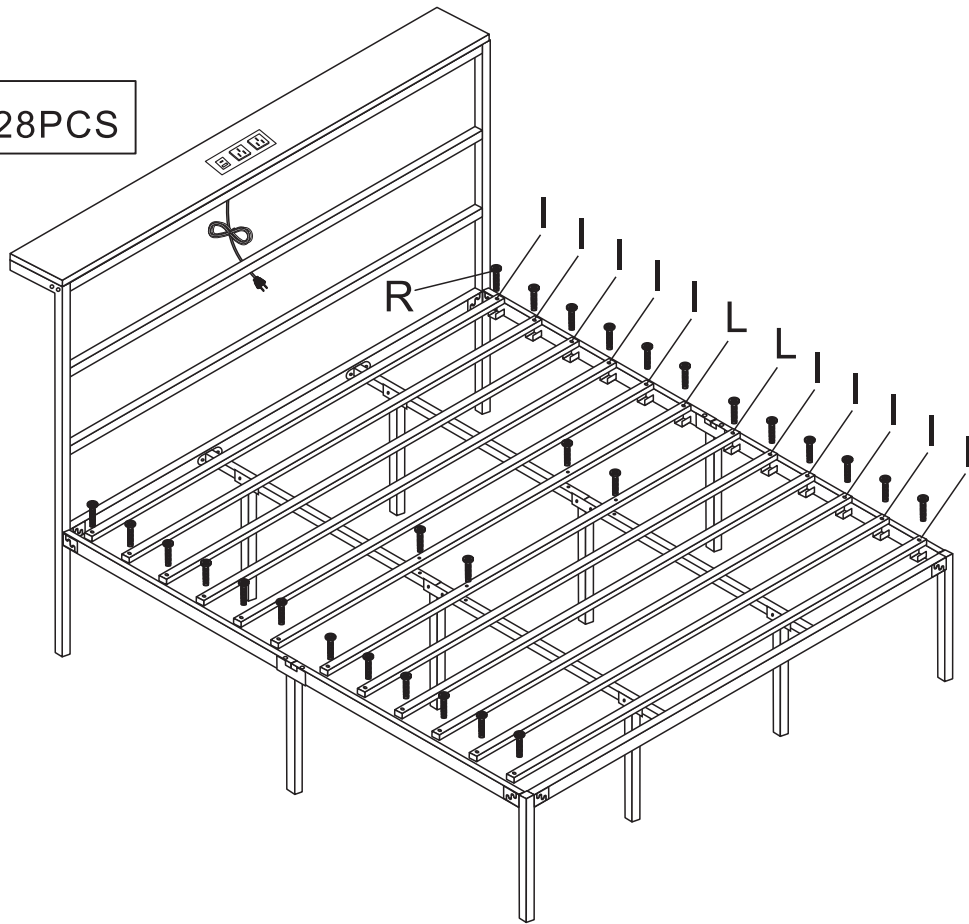
8

Q	M8*20	8PCS
S	M6*30	5PCS
T	M6*40	2PCS
U		7PCS



9

R M6*25 28PCS



10

