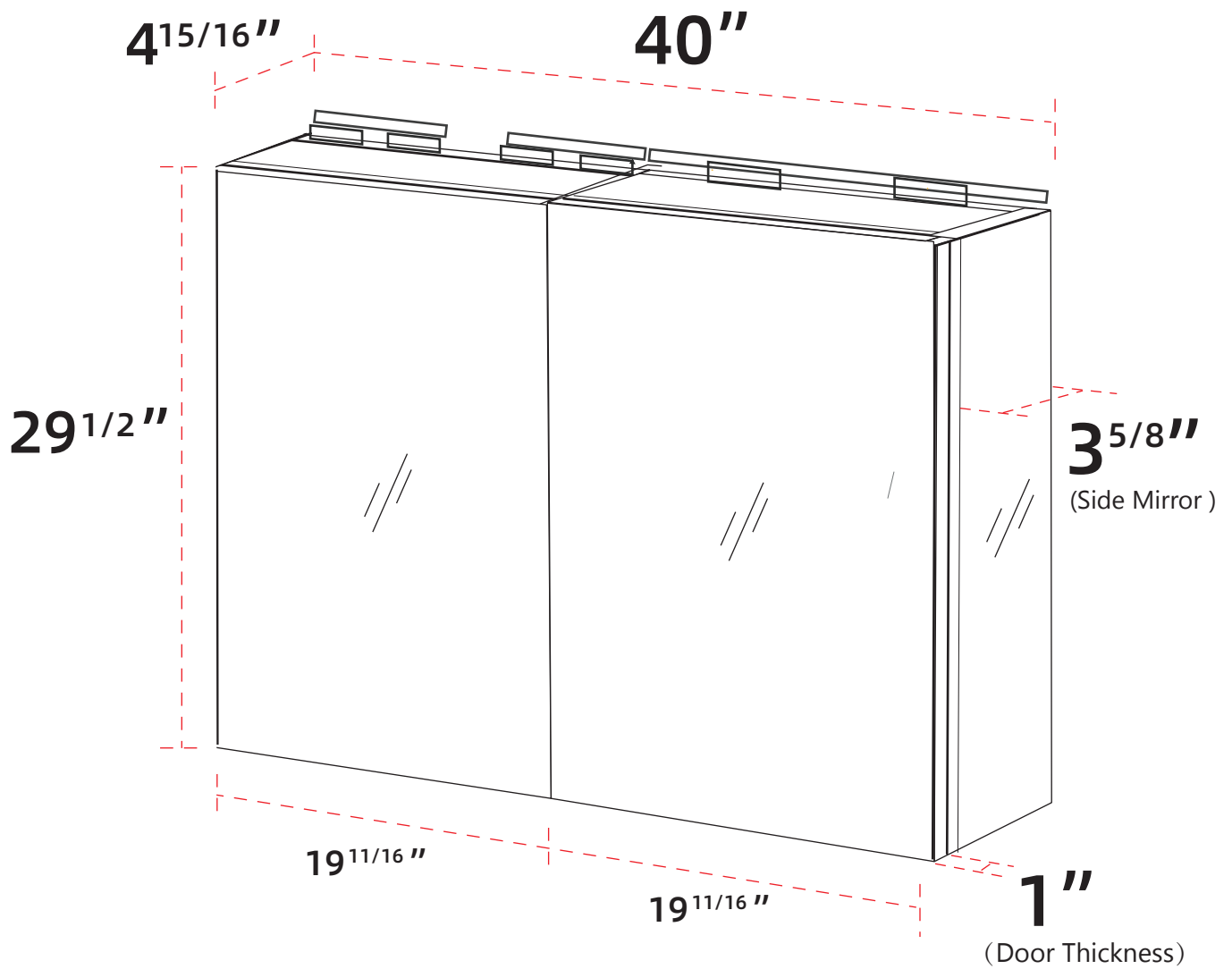


SIZE DETAILS

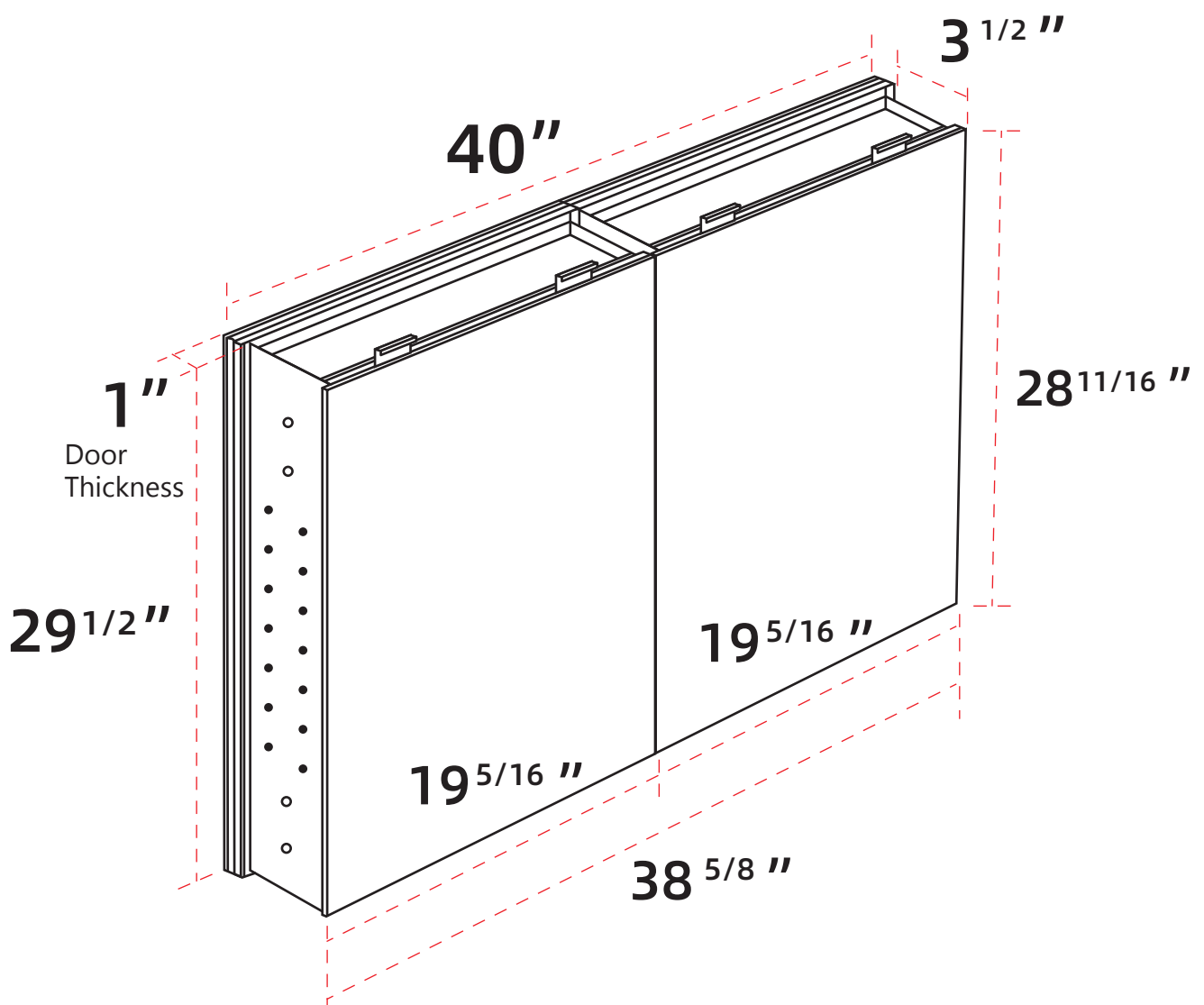
HIGH QUALITY MEDICINE CABINET



(FRONT VIEW)



(BACK VIEW)



The Opening Size for Recessed Mount

Width 39 1/16" (992mm)

Height 29 3/16" (742mm)

Depth ≥ 4 5/16" (≥ 110mm)