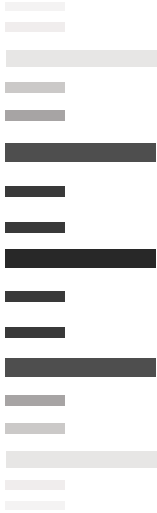
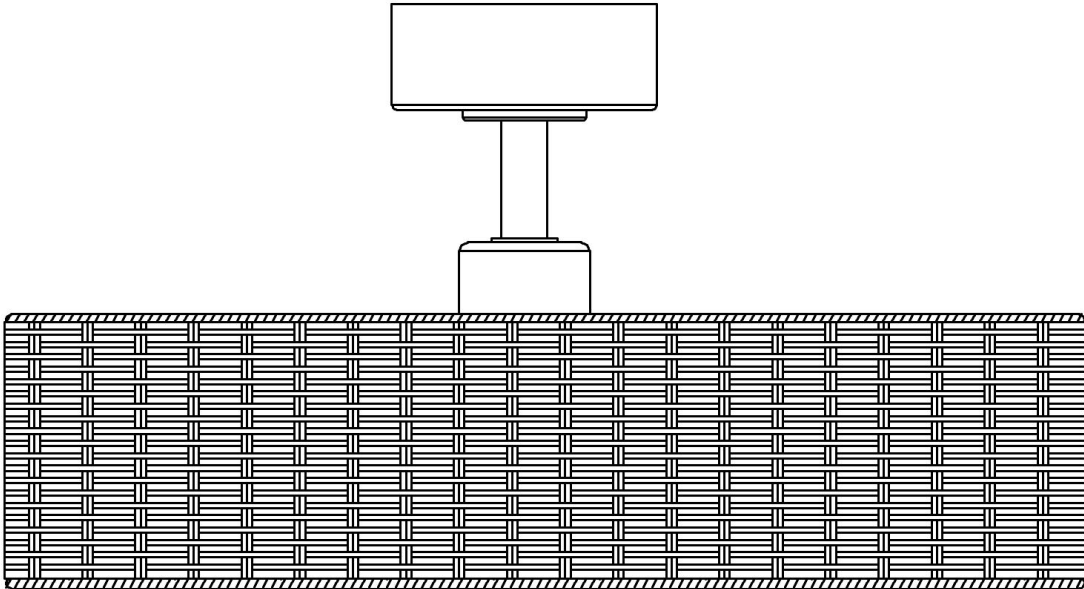


# User Manual

---

Rattan LED Ceiling Fan



# TABLE OF CONTENTS

USE AND CARE GUIDE & CONTACT INFORMATION.....	1	HOW TO INSTALL STEEL WIRE ROPE & WIRE THE CEILING FAN.....	11
TABLE OF CONTENTS & WARNING & ADDITIONAL SAFETY INSTRUCTIONS .....	2	WIRING YOUR CEILING FAN .....	12
ADDITIONAL SAFETY INSTRUCTIONS & WARRANTY CONTINUED.....	3	WIRING YOUR CEILING FAN (CONTINUED).....	13
ENERGY EFFICIENT USE OF CEILING FANS & ELECTRICAL AND STRUCTURAL REQUIREMENTS.....	4	HOW TO INSTALL YOUR CANOPY HOUSING.....	14
ELECTRICAL AND STRUCTURAL REQUIREMENTS(CONTINUED).....	5	HOW TO OPERATE YOUR CEILING FAN.....	15
PRE-INSTALLATION & MATERIALS NEEDED.....	6	HOW TO OPERATE YOUR CEILING FAN (CONTINUED).....	16
UNPACKING INSTRUCTIONS.....	7	HOW TO OPERATE YOUR CEILING FAN (CONTINUED) & MAINTENANCE.....	17
HOW TO ASSEMBLE YOUR CEILING FAN.....	8	TROUBLESHOOTING.....	18
HOW TO ASSEMBLE YOUR CEILING FAN (CONTINUED).....	9	REPLACEMENT AND DISASSEMBLY DIAGRAM OF FAN BLADES & PARTS LIST MODEL.....	19
HOW TO HANG YOUR CEILING FAN.....	10	EXPLODED REVIEW ILLUSTRATION.....	20

## WARNING

### READ AND SAVE THESE INSTRUCTIONS

To avoid fire, shock and serious personal injury, follow these instructions

1. Read the owner's manual and safety guidelines carefully before installing your new ceiling fan.
2. Before servicing or cleaning the fan, turn off the power at the service panel and lock the disconnect switch to prevent accidental activation.
3. Exercise caution when cleaning, painting, or working near the fan blades. Always turn off power to the fan before servicing.
4. Do not insert objects into the fan blades while the fan is operating.
5. This appliance should not be used by young children or individuals with limited physical or mental capabilities without proper supervision. Ensure they do not play with the appliance.

## ADDITIONAL SAFETY INSTRUCTIONS

- To avoid possible shock, be sure Turn off the power at the fuse box before wiring, and do not operate fan without blades.
- All wiring and installation procedures must comply with National Electrical Codes (ANSI/NFPA 70) and local regulations.
- The ceiling fan must be grounded as a precaution against possible electrical shock. Electrical installation should be made or approved by a licensed electrician.
- The fan base must be securely mounted and capable of reliably supporting at least 35 lbs. (fan and accessories not to exceed 35 lbs. or 15.9 kgs.).
- See page 5 of owner's manual for support requirements. Consult a qualified electrician if in doubt.
- The fan must be mounted with the fan blades at least 7 feet from the floor to prevent accidental contact with the ceiling fan.
- Follow the recommended instructions for the proper method of wiring your ceiling fan. If you do not have adequate electrical knowledge or experience, have your fan installed by licensed electrician.
- Suitable for use with solid-state speed controls.
- This fan is to be used in indoor dry location only.
- For supply connections, if the conductor of a fan is identified as a grounded conductor, then it should be connected to a grounded conductor power supply. If the conductor of a fan is identified as an ungrounded conductor, then it should be connected to an ungrounded conductor power supply. If the conductor of a fan is identified for equipment grounding, then it should be connected to an equipment-grounding conductor.



**CAUTION:** Changes or modifications not expressly approved by the party responsible for compliance could avoid the user's authority to operate the equipment.



**WARNING:** To reduce the risk of electric shock, this fan must be installed with a general use, isolating wall.

This product is designed to use only those parts supplied with this product and/or accessories designated specifically for use with this product. Using parts and/or accessories not designated for use with this product could result in personal injury or property damage.

To reduce the risk of personal injury, do not bend the blade bracket (flange or blade holder) when installing the brackets, balancing the blades, or cleaning the fan. Do not insert foreign objects in between rotating fan blades.

Mount the ceiling fan to an outlet box labeled as suitable for supporting fan loads up to 15.9 kg (35 lbs) or less.

# ADDITIONAL SAFETY INSTRUCTIONS



**WARNING:** Do not operate this fan with a variable (Rheostat) wall controller or dimmer switch. This may result in damage to the ceiling fan's remote control.

This device complies with Part 15 of the FCC Rules. Operation is subject to the following two conditions: (1) This device may not cause harmful interference, and (2) this device must accept any interference received, including interference that may cause undesired operation. If the intentional radiator can be classified as a Class B digital device or a PC peripheral, then shall include the following or equivalent:



**NOTE:** This equipment has been tested and found to comply with the limits for Class B digital device, pursuant to part 15 of the FCC Rules. These limits are designed to provide reasonable protection against harmful interference in a residential installation. This equipment generates, uses and can radiate radio frequency energy and, if not installed and used in accordance with the instructions, may cause harmful interference to radio or television reception, which can be determined by turning the equipment off and on, the user is encouraged to try to correct the interference by one or more of the following measures:

- Reorient or relocate the receiving antenna.
  - Increase the separation between the equipment and the receiver.
  - Connect the equipment into an outlet on a circuit different from that to which the receiver is connected.
- Consult the dealer or an experienced radio/TV technician for help.

For a Class A digital device, statements of 15.105(a) must be included when appropriate for the device in question.

## WARRANTY

We warrant the fan motor to be free from defects in workmanship and materials at the time of shipment for the lifetime of the product from the date of purchase by the original purchaser. The light kit is warranted for two years from the date of purchase, excluding glass, acrylic components, and wooden blades. We will correct defects free of charge or replace the product with a comparable or superior model. Proof of purchase (receipt) is required for warranty service. Costs for removal, reinstallation, and return shipping are the customer's responsibility.

This warranty does not cover damage from accidents, misuse, improper installation, or unauthorized accessories. Changes in brass finish due to climatic conditions (e.g., rusting, pitting, corroding, tarnishing, or peeling) are also excluded. Normal fan "wobble" is not a defect. Servicing by unauthorized personnel voids the warranty.

No other express warranties apply. Implied warranties (e.g., merchantability, fitness for a particular purpose) are limited to the duration of this warranty, where permitted by law. The manufacturer is not liable for incidental, consequential, or special damages, except as required by law. Some states do not allow limitations on implied warranties or exclusions of damages, so these terms may not apply to you. This warranty gives specific legal rights, and you may have additional rights under state law. This warranty supersedes all prior warranties.

# ENERGY EFFICIENT USE OF CEILING FANS

Ceiling fan performance and energy savings rely heavily on the proper installation and use of the ceiling fan. Here are a few tips to ensure efficient product performance.

## Choosing the Appropriate Mounting Location

Ceiling fans should be installed, or mounted, in the middle of the room and at least 7 feet from floor to the blade and 18 inches from wall to the blade. If ceiling height allows, install the fan 8 - 9 feet from floor to the blade for optimal airflow. Consult your breezary Retailer for optional mounting accessories.

## Turn Off When Not in the Room

If the room is unoccupied, turn off the ceiling fan to save energy.

## Using the Ceiling Fan Year Round

**Summer Season:** Use the ceiling fan in the clockwise direction. The airflow produced by the ceiling fan creates a wind-chill effect, making you "feel" cooler. Select a fan speed that provides a comfortable breeze, lower speeds consume less energy.

**Winter Season:** Reverse the motor and operate the ceiling fan at low speed in the counterclockwise direction. This produces a gentle updraft, which forces warm air near the ceiling down into the occupied space. Remember to adjust your thermostat when using your ceiling fan-additional energy and dollar savings could be realized with this simple step!

# ELECTRICAL AND STRUCTURAL REQUIREMENTS

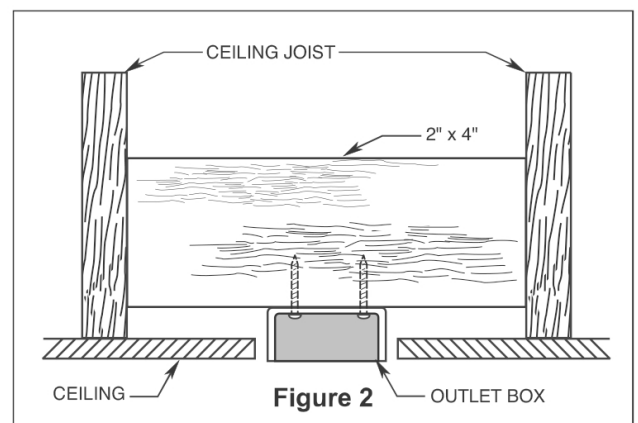
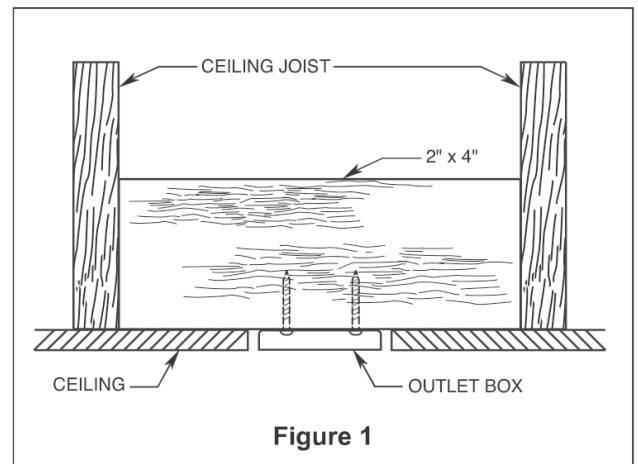
Your new ceiling fan will require a grounded electrical supply line of 120 volts AC, 60 Hz, 15 Amp Circuit. Electrical code requires use of a fan-rated outlet box to support the extra weight and motion associated with a ceiling fan. A fan-rated box will be labeled as such and typically supports up to a 70lbs ceiling fan. Fan-Rated Outlet Boxes vary in ratings and design. Ensure the ratings of your ceiling fan outlet box meet the requirements for the ceiling fan being installed. Figure 1, Figure 2 and Figure 3 depicts different structural configurations that may be used for mounting the outlet box.

## Low-profile use (Figure 1)

A 1/2-in.-deep pancake box is meant to be screwed to a joist or block. It's used if only one cable is coming into the box. It is also available in a saddle-mount configuration.

## Deep-profile use (Figure 2)

A 2-1/2-in.-deep box can be attached to blocking between joists and is roomy enough to handle more than one cable.



# ELECTRICAL AND STRUCTURAL REQUIREMENTS (CONTINUED)

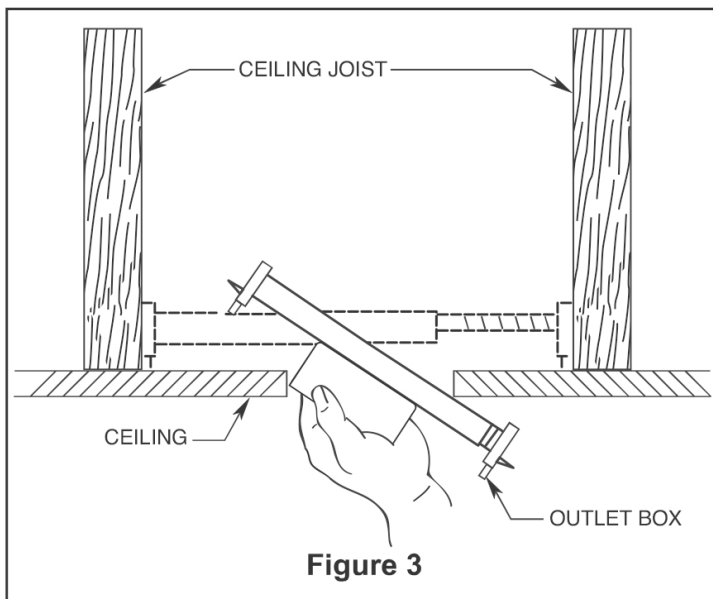
## Brace Use (Figure 3):

This hanger, paired with a deep box, is designed to span between two joists, replacing the need for wooden blocking.



### WARNING:

To reduce the risk of fire, electrical shock, or personal injury, mount fan to outlet box marked acceptable for fan support of 15.9 kg (35 lbs) or less. Use screws supplied with outlet box. Most outlet boxes commonly used for support of light fixtures are not acceptable for fan support and may need to be replaced. Consult a qualified electrician if in doubt.

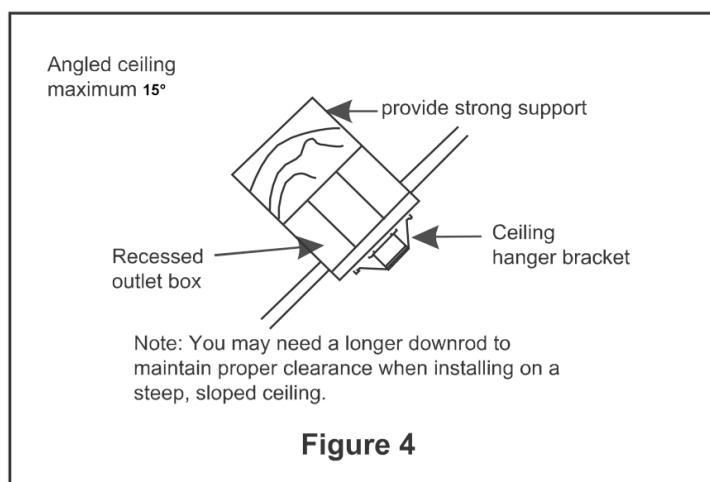


If your fan is to replace an existing light fixture, turn electricity off at the main fuse box at this time and remove the existing light fixture.



### WARNING:

Turning off wall switch is not sufficient. To avoid possible electrical shock, be sure to Turn off the power at the main fuse box before wiring. All wiring must be in accordance with National and Local codes and the ceiling fan must be properly grounded as a precaution against possible electrical shock.



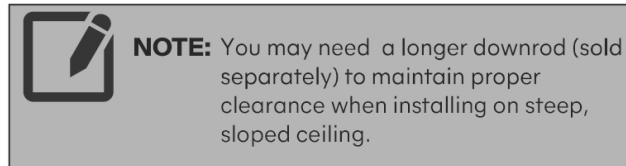
### WARNING:

To avoid fire or shock, follow all wiring instructions carefully. Any electrical work not described in these instructions should be done or approved by a licensed electrician.



### WARNING:

Do not operate this fan with a variable (Rheostat) wall controller or dimmer switch. This may result in damage to the ceiling fan's remote control.



Angled ceiling use place (Figure 4)  
Angled ceiling maximum 15°

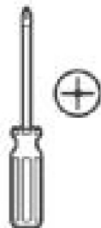
# PRE-INSTALLATION

This manual is designed to guide you through the assembly, installation, operation, and maintenance of your ceiling fan.

Do not install or operate the fan if any part is damaged or missing.

Only use the parts and accessories provided with this product.

## Tools Needed for Assembly (Not Included)



Phillips  
screwdriver



Wire strippers/  
cutters



One stepladder



One 1/4" blade  
screwdriver

# MATERIALS NEEDED

Use wiring outlets and connectors that comply with local codes. The minimum wire requirement is a 3-conductor (2-wire with ground) of the following size:

Installed wire length	Wire Size A.W.G
Up to 50 ft.	12
50-100 ft.	12



**NOTE:** Place the parts from the loose parts bags in a small container to keep them from being lost. If any parts are missing contact your local retailer.



**WARNING:** Before assembling your ceiling fan, refer to section on proper method of wiring your fan (page 12). If you feel you do not have enough wiring knowledge or experience, have your fan installed by a licensed electrician.

# UNPACKING INSTRUCTIONS

## PACKAGE CONTENTS

For your convenience, check boxes are provided next to each step. As you complete each step, place a checkmark in the box. This will ensure that all steps are completed and help you find your place if interrupted.



**WARNING:** Do not install or use fan if any part is damaged or missing. This product is designed to use only those parts supplied with this product and/or any accessories designated specifically for use with this product by breezary. Substitution of parts or accessories not designated for use with this product by breezary could result in personal injury or property damage.

1. Check to see that you have received the following parts:

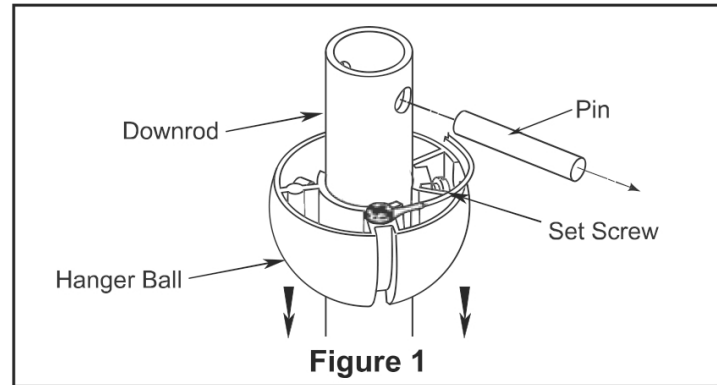


**NOTE:** If you are uncertain of part description, refer to exploded view illustration provided on the last page of this installation manual.

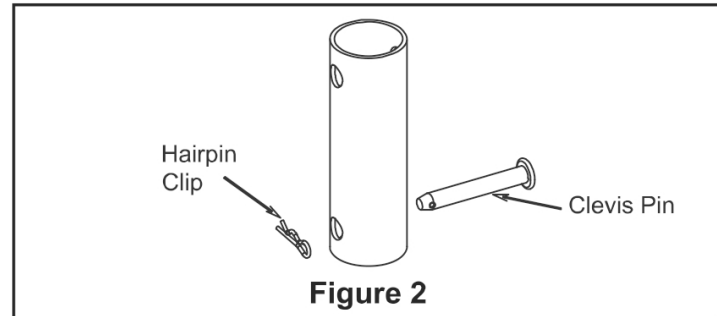
<p>Hanger Bracket Assembly (1)</p>	<p>Canopy Screw Cover (1)</p>	<p>Motor Coupling Cover Assembly (1)</p>	<p>Ceiling Canopy (1)</p>	<p>Hand-held Remote (1) Wall Holder (1) Screws (2) Wall Anchor(2)</p>	<p>Receiver (1)</p>												
<p>Downrod/Hanger Ball Assembly (1)</p> <ul style="list-style-type: none"> <li>- Downrod</li> <li>- Hanger Ball</li> <li>- Set Screw</li> <li>- Hairpin Clip</li> <li>- Clevis Pin</li> <li>- Pin</li> </ul>	<p>Motor Assembly (1)</p>																
<p><b>Safety cable parts kit</b></p> <table border="0"> <tbody> <tr> <td data-bbox="15 1702 239 1792"> <p>Wood Screw(1)</p> </td> <td data-bbox="239 1702 478 1792"> <p>Flat Washer(1)</p> </td> <td data-bbox="478 1702 829 1792"> <p>Lock Washer(1)</p> </td> </tr> <tr> <td data-bbox="15 1792 239 1975"> <p>Screw(2)</p> </td> <td data-bbox="239 1792 478 1975"> <p>Fastener(1)</p> </td> <td></td> </tr> </tbody> </table>			<p>Wood Screw(1)</p>	<p>Flat Washer(1)</p>	<p>Lock Washer(1)</p>	<p>Screw(2)</p>	<p>Fastener(1)</p>		<p><b>Hanger parts kit</b></p> <table border="0"> <tbody> <tr> <td data-bbox="829 1702 1037 1792"> <p>Wood Screw(2)</p> </td> <td data-bbox="1037 1702 1276 1792"> <p>Flat Washer(2)</p> </td> <td data-bbox="1276 1702 1576 1792"> <p>Lock Washer(2)</p> </td> </tr> <tr> <td data-bbox="829 1792 1037 1975"> <p>Machine Screw(2)</p> </td> <td data-bbox="1037 1792 1276 1975"> <p>Lock Washer(2)</p> </td> <td data-bbox="1276 1792 1576 1975"> <p>Wire Connectors (3)</p> </td> </tr> </tbody> </table>			<p>Wood Screw(2)</p>	<p>Flat Washer(2)</p>	<p>Lock Washer(2)</p>	<p>Machine Screw(2)</p>	<p>Lock Washer(2)</p>	<p>Wire Connectors (3)</p>
<p>Wood Screw(1)</p>	<p>Flat Washer(1)</p>	<p>Lock Washer(1)</p>															
<p>Screw(2)</p>	<p>Fastener(1)</p>																
<p>Wood Screw(2)</p>	<p>Flat Washer(2)</p>	<p>Lock Washer(2)</p>															
<p>Machine Screw(2)</p>	<p>Lock Washer(2)</p>	<p>Wire Connectors (3)</p>															

# HOW TO ASSEMBLE YOUR CEILING FAN

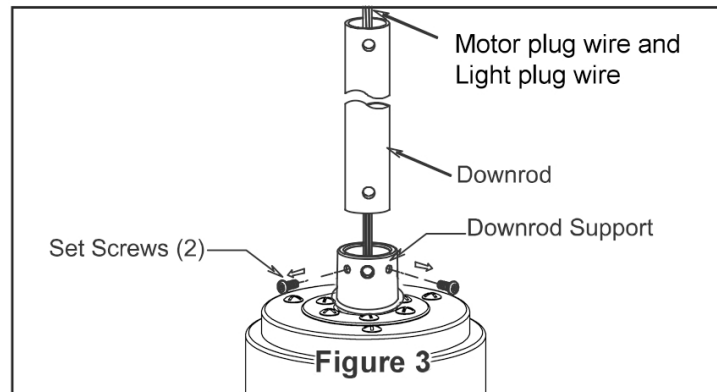
Loosen the set screw in the hanger ball assembly until the hanger ball slides off the downrod. Remove the pin from the downrod, then remove the hanger ball. Retain the pin and hanger ball for reinstallation in Step 6. (Figure 1)



- Remove the hairpin clip and clevis pin from the bottom of the downrod. Keep the pin and clip for reinstallation in Step 4. (Figure 2)

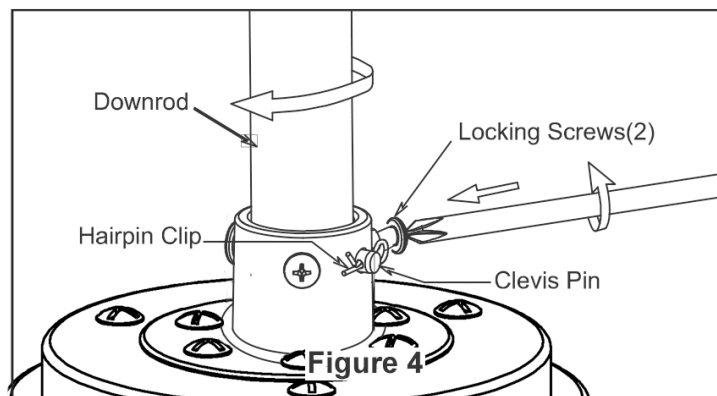


- Loosen the two set screws in the motor assembly's downrod support. Route the motor plug wire, and light plug wire through the downrod. (Figure 3)

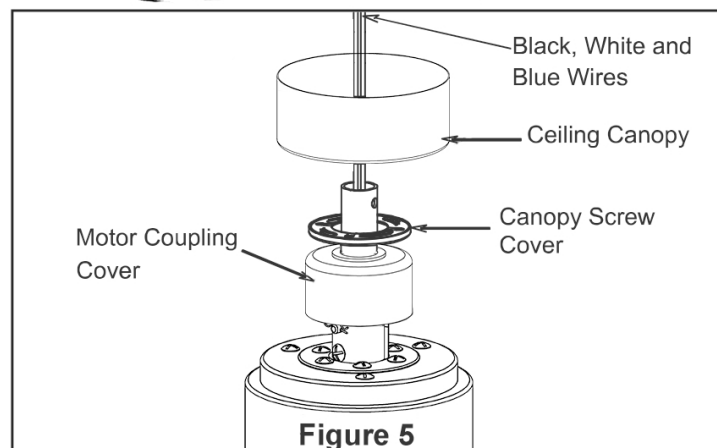


- Thread the downrod into the downrod support on top of the motor. Insert the clevis pin, ensuring the holes in the downrod support align with those in the downrod. Secure the pin with the hairpin clip. Tighten the two set screws in the downrod support. (Figure 4)

**WARNING:** It is critical that the clevis pin in the downrod support is properly installed and the set screws are securely tightened. Failure to do so could result in the fan falling.



- Route wires through motor coupling cover, canopy screw cover and ceiling canopy. (Figure 5)



# HOW TO ASSEMBLE YOUR CEILING FAN (CONTINUED)

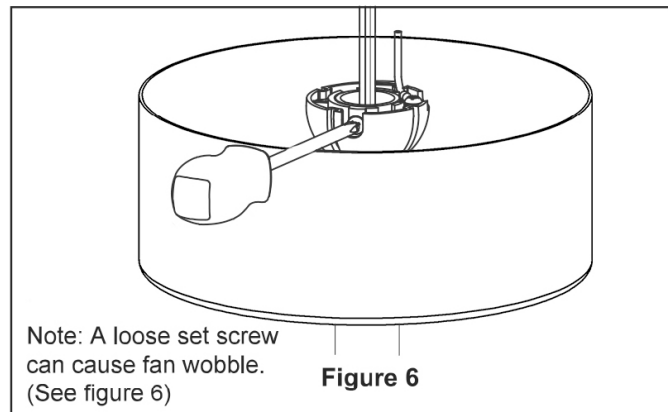
- **Step 1: Reinstall the Hanger Ball**
  1. Route the black, white, and blue wires through the hanger ball.
  2. Insert the pin through the two holes in the downrod.
  3. Align the hanger ball so the pin fits securely into the groove at the top of the hanger ball.
  4. Pull the hanger ball tight against the pin and tighten the set screw securely.

Note: A loose set screw can cause fan wobble. (See Figure 6)

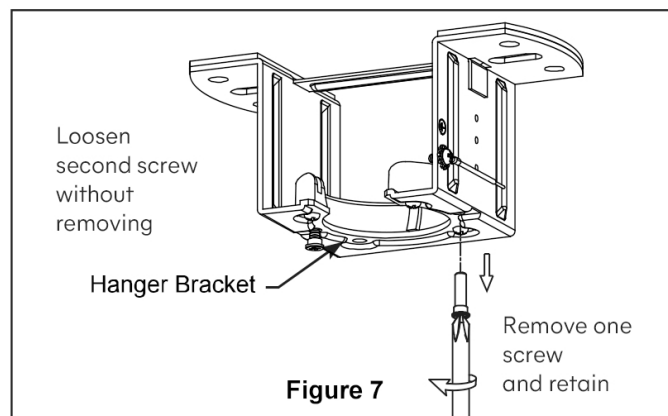


**CAUTION:**

Ensure all set screws are properly tightened before installation to prevent issues.



- **Step 2: Remove Shoulder Screws**
  1. Remove one of the two shoulder screws from the hanger bracket and keep it for later use.
  2. Loosen the second screw slightly but do not remove it completely. (See Figure 7)



# HOW TO HANG YOUR CEILING FAN



**WARNING:**

It could cause fire or electric shock. Ensure that you turn off the power at the main fuse box before installation. (Figure 1)



**NOTE:**

If you are unsure whether the outlet box is grounded, contact a licensed electrician for assistance.



**WARNING:**

Ensure the fan is hung with at least 7 feet of clearance from the floor to the ceiling fan. (Figure 2)

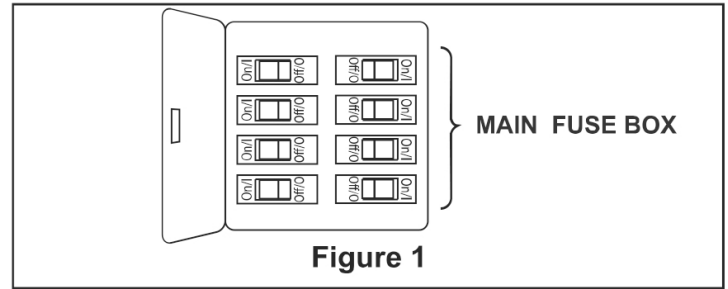


Figure 1

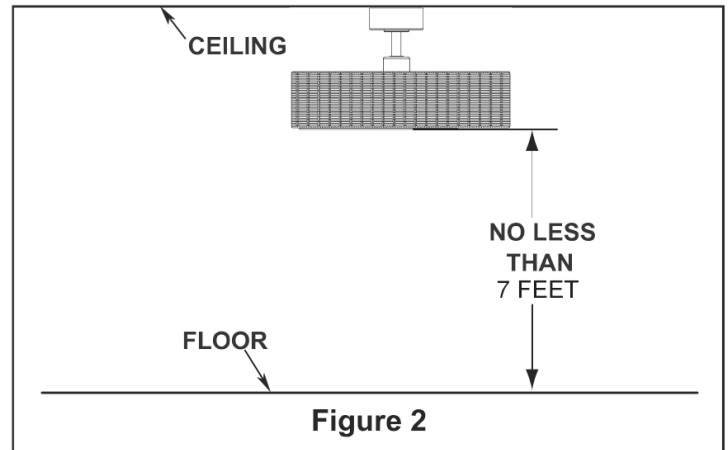


Figure 2

- Step 1: Attach the Hanger Bracket  
Use the screws and washers provided with the outlet box to securely fasten the hanger bracket. (See Figure 3)



**WARNING:**

Step 2: Ensure Secure Installation  
The outlet box must be firmly anchored. The hanger bracket should sit flush against the outlet box. If the outlet box is recessed, remove material as needed to ensure contact. Note: A loose outlet box or bracket may cause the fan to wobble or fall.

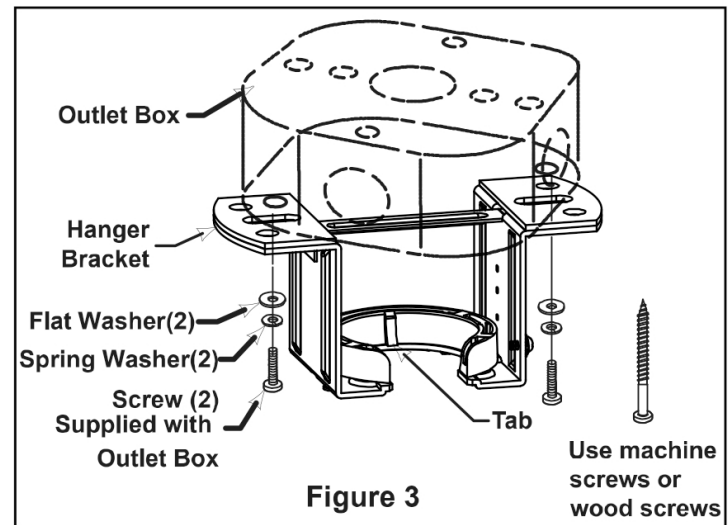


Figure 3

- Step 3: Mount the Fan Assembly
  1. Lift the fan carefully and place the downrod/hanger ball assembly onto the hanger bracket attached to the outlet box.
  2. Align the groove on the hanger ball with the tab on the hanger bracket to secure the connection. (See Figure 4)
  3. Note: This fan supports standard and angled mounting only. Closemount and flushmount options are not compatible. For angled ceilings, ensure the angle does not exceed 15°.



**WARNING:**

Failure to seat tab in groove could cause damage to electrical wires and possible shock or re hazard.



**WARNING:**

To avoid possible shock, do not pinch wires between the hanger ball assembly and the hanger bracket.

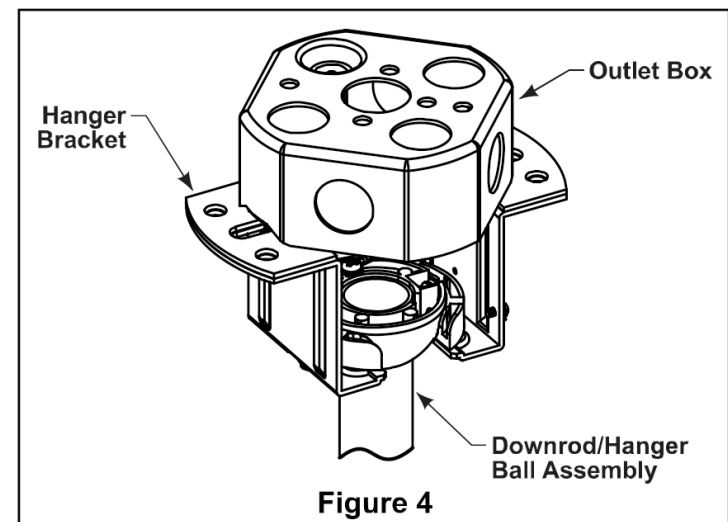
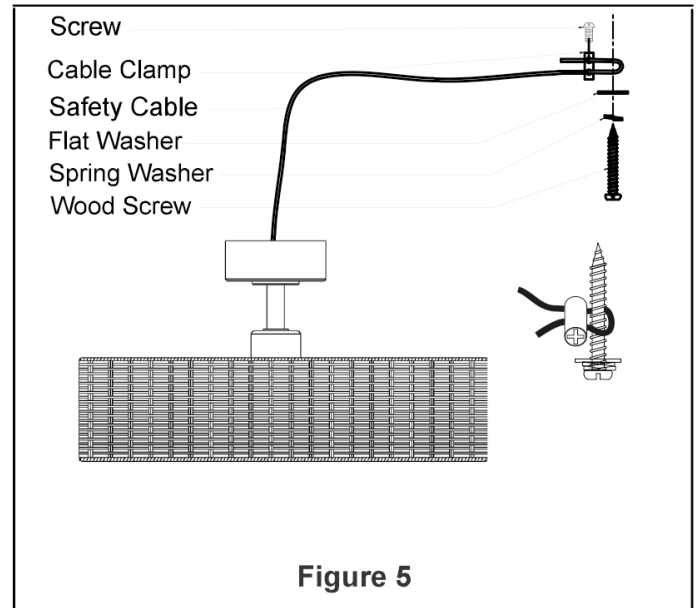


Figure 4

# HOW TO INSTALL STEEL WIRE ROPE

- Attach the safety cable to the ceiling.  
Use a wood screw to securely fasten the safety cable directly to the wood structure of the ceiling (Figure 5)



## WIRING THE CEILING FAN



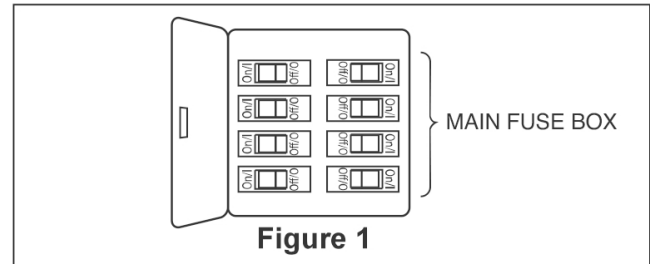
**WARNING:**

To avoid possible electrical shock, be sure Turn off the power at the main fuse box before wiring. (Figure 1)



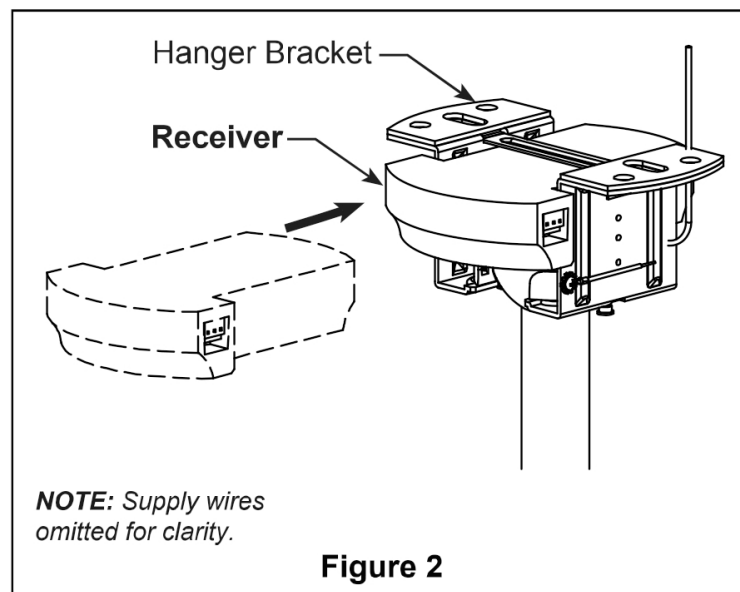
**NOTE:**

If you are not sure if the outlet box is grounded, contact a licensed electrician for advice, as it must be grounded for safe operation.



Turn off the power at the main fuse box before wiring the fan.

- **1.** Slide the receiver into the hanger bracket with the flat side up towards the ceiling, as shown in figure 2.



# WIRING YOUR CEILING FAN

Note: If you lack electrical wiring experience, consult a licensed electrician for installation.

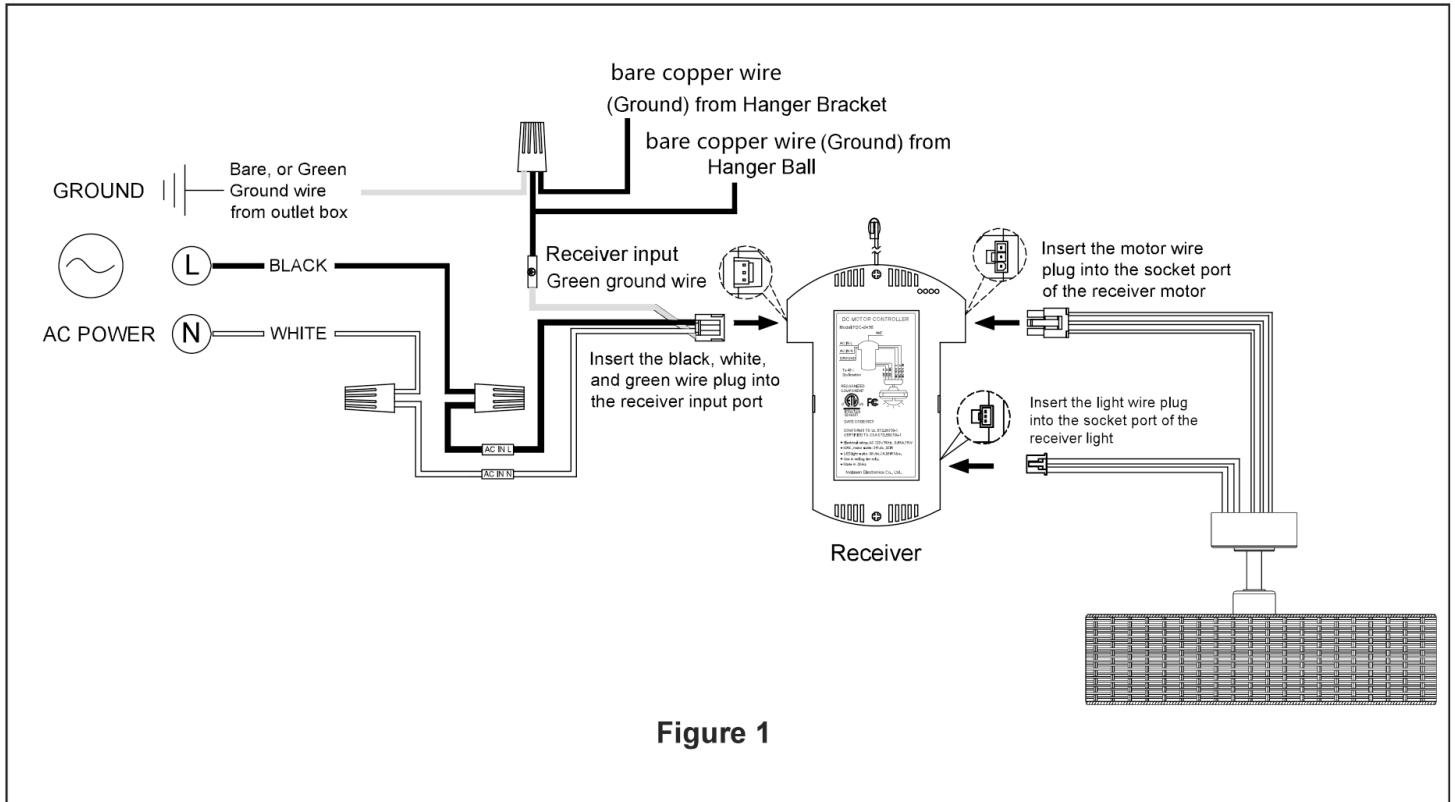


Figure 1

- Connect the green ground wire from the receiver input, hanger bracket, and downrod to the bare (ground) wire from the ceiling, using a wire connector.
  - Connect black wire from Receiver input unit marked “AC IN L” to black supply wire using wire connector.
  - Connect white wire from Receiver input unit marked “AC IN N” to white supply wire using wire connector.
  - Connect the motor plug wire to the receiver output corresponding motor female socket.
  - Connect the light plug wire to the receiver output corresponding light female socket.
- (Figure 1)

## HARDWARE USED:

WIRE CONNECTORS  x 3



## NOTE:

If you feel that you do not have enough electrical wiring knowledge or experience, have your fan installed by a licensed electrician.

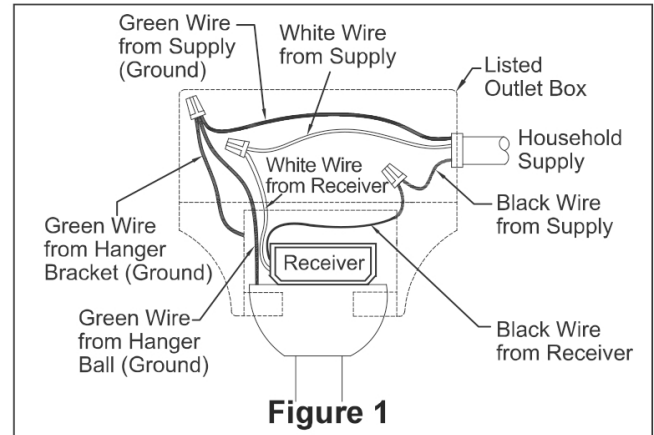
# WIRING YOUR CEILING FAN (CONTINUED)



**WARNING:**

Ensure all connections are secure, including ground wires, and no bare wires are exposed except for ground. Do not operate the fan until blades are fully installed.

- After all connections have been made, carefully push the connected wires into the outlet box. Ensure that the white and green (ground) wires are positioned on one side of the box and the black (hot) wire is positioned on the opposite side, as shown in Figure 1



# HOW TO INSTALL YOUR CANOPY HOUSING



Note: Complete all wiring before starting this step.

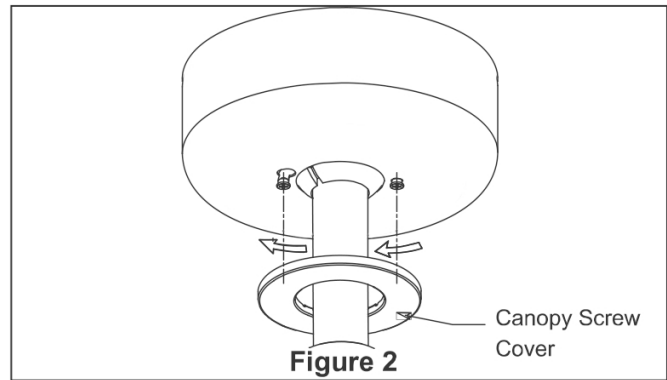
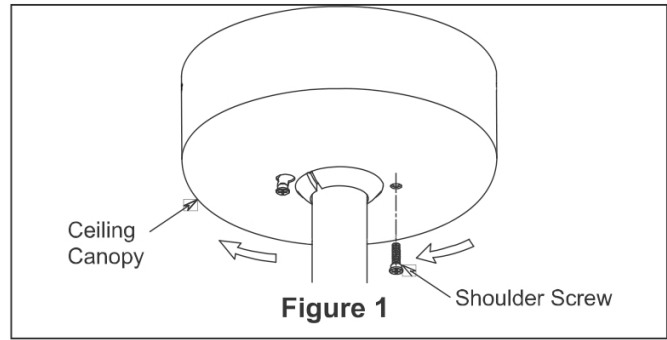
- 1. Align the canopy's key slot with the shoulder screw on the hanger bracket.
- 2. Rotate the canopy into position, ensuring no wires are pinched.
- 3. Tighten the first shoulder screw, then attach and secure the second shoulder screw. (See Figure 1)



## WARNING:

Ensure all electrical wires are fully inside the canopy housing and not pinched between the housing and ceiling to prevent fire or electric shock.

- 1. Align the three "L" tabs on the screw cover with the slots on the canopy.
- 2. Use the twist - lock mechanism to secure the screw cover in place. (See Figure 2)

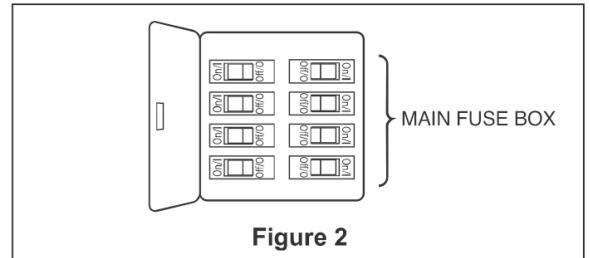


# HOW TO OPERATE YOUR CEILING FAN

- ❑ **IMPORTANT:** Do not use a full - range dimmer switch to control fan speed. This may damage the fan or cause fire/electrical shock. (See Figure 1)



- ❑ Restore electrical power to the outlet box by turning the electricity on at the main fuse box. (Figure 2)



**WARNING:**

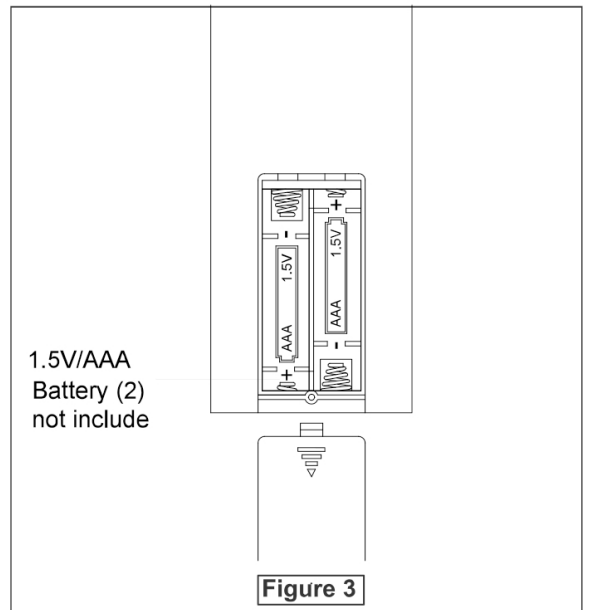
Ensure all connections are secure, with no exposed wires except the ground wire. Do not operate the fan without blades installed.



**WARNING:**

Do not operate this fan with a variable (rheostat) wall controller or dimmer switch. Doing so may damage the ceiling fan's remote control.

- ❑ To make fan operational, Install two 1.5V AAA batteries. battery not included (If not used for long periods of time, remove battery to prevent damage to transmitter). Store the remote away from excessive heat or humidity. (Figure 3)



**WARNING**

To reduce the risk of fire or electrical shock, this fan should only be used with fan speed control part No.: FDC-2436

**IMPORTANT:** If you have two or more fans, please follow steps below to control each fan independently. Also follow steps below to re-pair the remote and the receiver when needed.

Install battery (included). To prevent damage to transmitter, remove the battery if not used for long periods of time.

**1. 1-6 buttons:**

These six buttons are used to set the fan speed as follows:

- 1 = minimum speed
- 6 = maximum speed

**2.  button:**

This button is used to turn off the fan and lights

**3.  button:**

This button sets fan direction forward or reverse.

**4. K- button:**

This button reduces the color temperature

**5. K+ button:**

This button enhances color temperature

**6.  button:**

This button enhances brightness

**7.  button:**

The brightness of this button decreases

**8.  button:**

This button controls the "on/off" status of the light.

**9.  button:**

Press and hold this button within 5 seconds of turning on the power to pair. In the case of successful pairing, pressing once controls the fan on/off status

**10.  button:**

This button turns on "breeze" option.

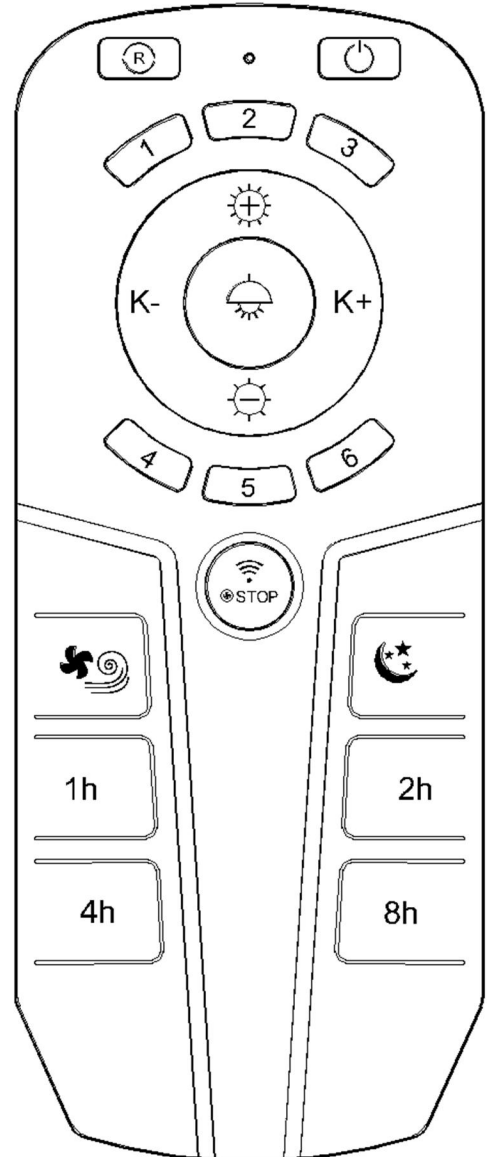
**11.  button:**

This button is for night light mode

**12. 1h,2h,4h and 8h buttons:**

These three buttons are used to set the fan timer as follows:

- 1h = 2 hour timer
- 2h = 2 hour timer
- 4h = 4 hour timer
- 8h = 8 hour timer



If pairing is successful, the fan's light kit will flash, the blades will begin to spin and the fan and light kit will turn off within 30 seconds.

**NOTE:** If the self calibration test failed, turn the AC power off; restore power and process the self calibration test again.

## OPERATION (continued)

**NOTE:** The learning frequency function and self calibration test will continue to retain the last set frequency and calibration set even when the AC power is shut off. If the frequency is changed the self calibration test will occur again.

This receiver provides the following protective function:

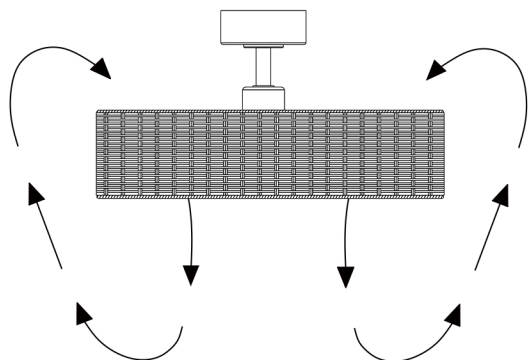
1. **Lock Rotor Position:** The DC motor has a built-in safety against a stalled or locked rotor condition (stalled blade rotation). If there is an obstruction or fault with the motor, the current monitoring function will automatically turn power off to the motor after 30 seconds. Remove the obstruction and turn the AC power off. Restore power and re-start fan motor.
2. **Over 80W protection:** When the receiver detects motor power consumption which is greater than 80W, the receiver power will be stopped and operation will immediately discontinue. Wait for 5 seconds and then turn the receiver power back on.

### Summer Mode and Winter Mode Operation

Speed settings for warm or cold weather depend on factors such as room size, ceiling height and number of fans.

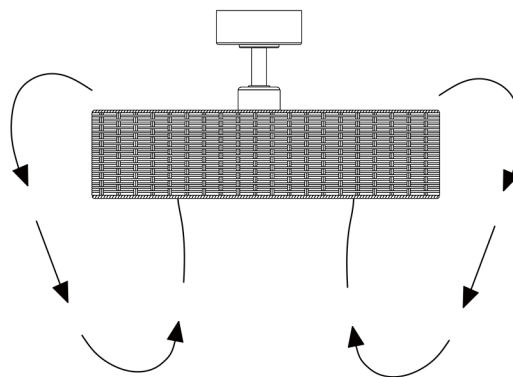
#### Summer Mode (forward):

A DOWNWARD airflow creates a cooling effect. This allows you to set your air conditioner on a warmer setting without affecting your comfort.



#### Winter Mode (reverse):

A UPWARD airflow moves warmer air off the ceiling area. This allows you to set your heating unit on a cooler setting without affecting your comfort.



## OPERATING CEILING FAN WITH THE APP

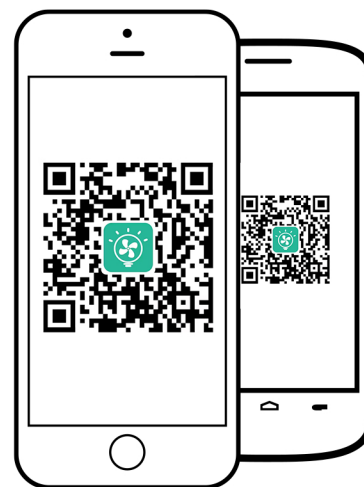
### 1. Download the FanLamp Pro app

- Using your smart device, navigate to the application store (Apple App Store or Google Play). Download the free FanLamp Pro app and create an account.
- Android users can directly scan the QR code on the right to download

### 2. Connect to the FanLamp Pro receiver

**NOTE:** Confirm that your smart device (phone/tablet) is connected to your WiFi network before proceeding.

- Ensure the fan and receiver are receiving power from the house supply by using the remote control to turn the fan and light on and off.
- Open the FanLamp Pro app on your smart device and follow the instructions included in the app to add your fan.



# TROUBLESHOOTING



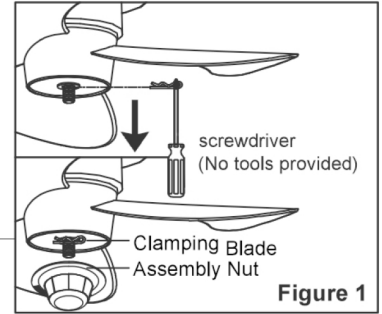
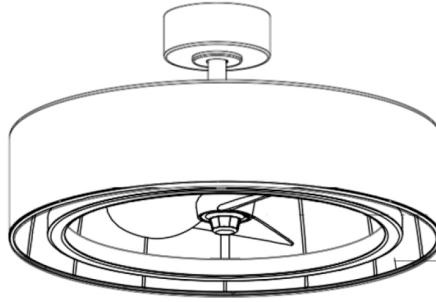
## WARNING

For your own safety turn off power at fuse box or circuit breaker before trouble shooting your fan.

TROUBLE	PROBABLE CAUSE	SUGGESTED REMEDY
<b>1. FAN NOT WORK</b>	<ul style="list-style-type: none"><li>- Blown fuse or tripped circuit breaker.</li><li>- Loose wire connections.</li><li>- Dead remote control battery.</li></ul>	<ul style="list-style-type: none"><li>- Reset fuse or circuit breaker.</li><li>- Secure all connections (ensure power is off).</li><li>- Replace the remote battery.</li></ul>
<b>2. FAN SOUNDS NOISY</b>	<ul style="list-style-type: none"><li>- Loose screws in motor housing.</li><li>- Rattling wire connectors.</li></ul>	<ul style="list-style-type: none"><li>- Tighten motor housing screws (do not overtighten).</li><li>- Secure wire connectors (turn off power first).</li></ul>
<b>3. FAN WOBBLER EXCESSIVELY</b>	<ul style="list-style-type: none"><li>- Loose setscrews in downrod or hanger ball.</li><li>- Loose hanger bracket or outlet box.</li></ul>	<ul style="list-style-type: none"><li>- Tighten setscrews securely.</li><li>- Secure hanger bracket and outlet box screws.</li></ul>
<b>4. NOT ENOUGH AIR MOVEMENT</b>	<ul style="list-style-type: none"><li>- Short downrod or improper installation.</li></ul>	<ul style="list-style-type: none"><li>- Consider using a longer downrod (contact <a href="mailto:support@ceilingfanhelp.com">support@ceilingfanhelp.com</a>).</li></ul>

# REPLACEMENT AND DISASSEMBLY DIAGRAM OF FAN BLADES.

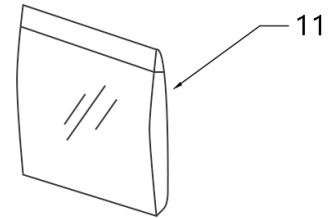
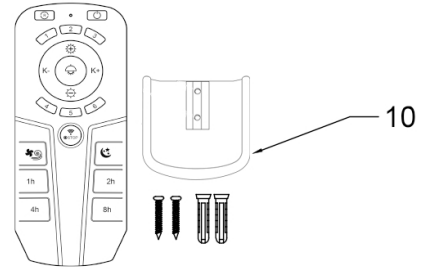
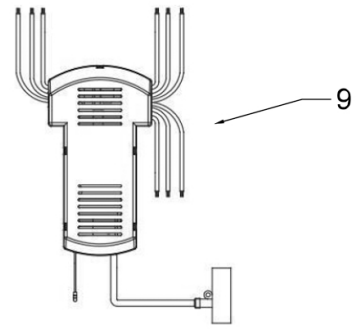
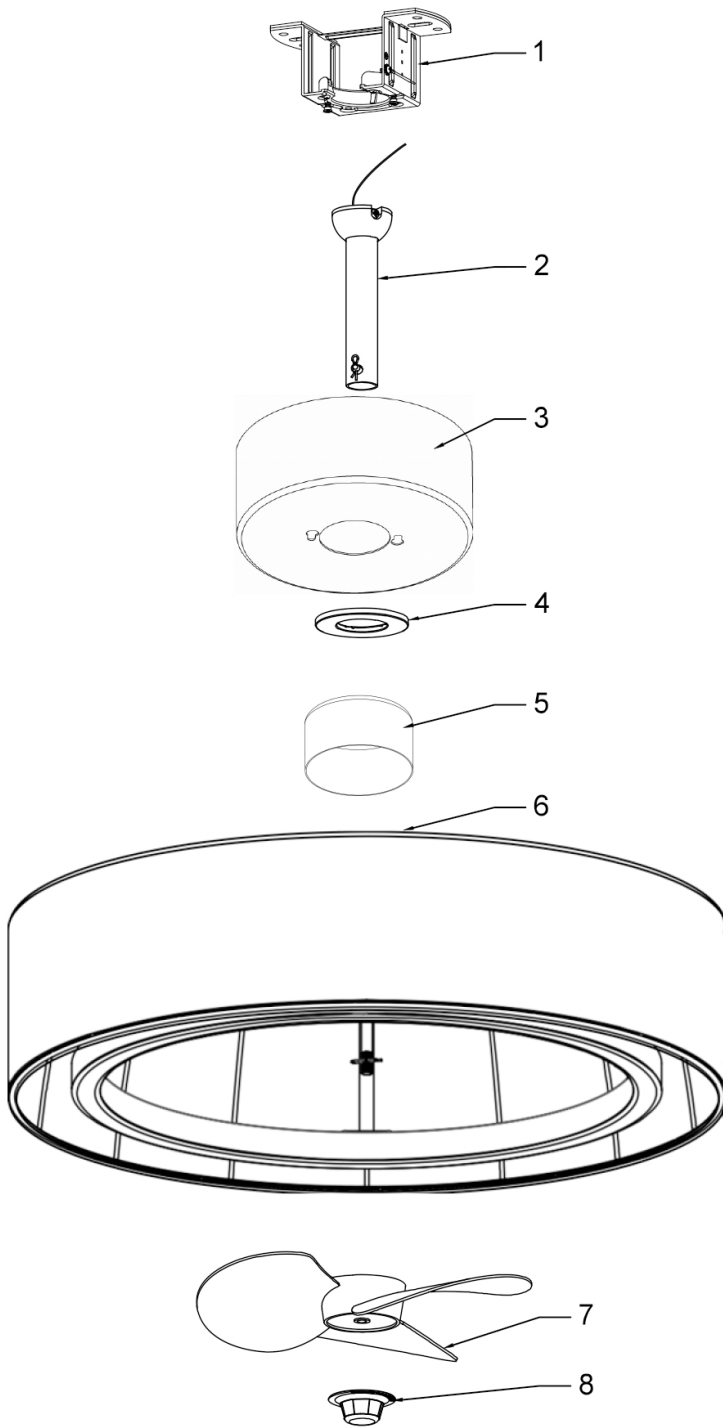
- Please wipe blades with dry cloth.  
Do not wash with water. (Figure 1)



## PARTS LIST

Reference #	Description	Part #
1	Hanger Bracket	
2	Downrod/Hanger Ball Assembly	
3	Ceiling Canopy	
4	Canopy Screw Cover	
5	Motor Coupling Cover Assembly	
6	Motor Assembly	
7	Fan Blade	
8	Fan Nut Cover	
9	Receiver	
10	Remote	
11	Hardware Bags Containing:	
	Install the Hanger Parts kit	
	Safety Cable Parts kit	

# EXPLODED REVIEW ILLUSTRATION



**NOTE:**

The illustration shown is not to scale or its actual configuration may vary. Product/parts are subject to change without notice.