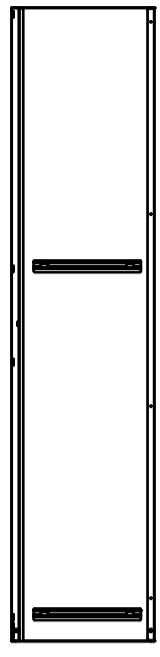
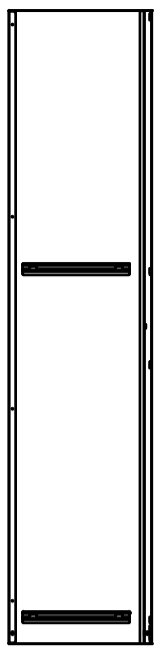


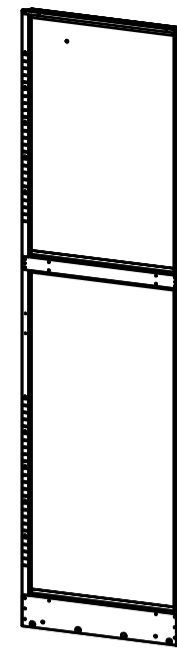
① x1pc



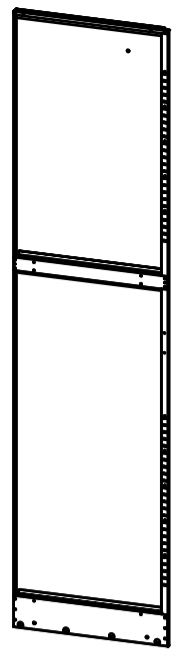
② x1pc



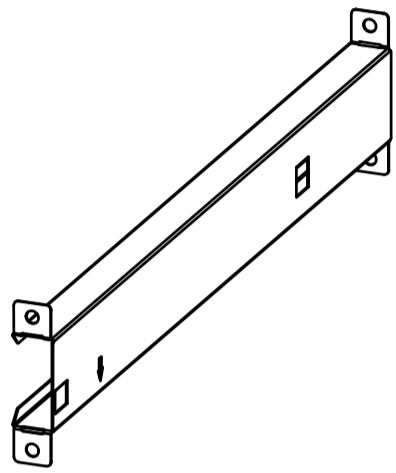
③ x1pcs



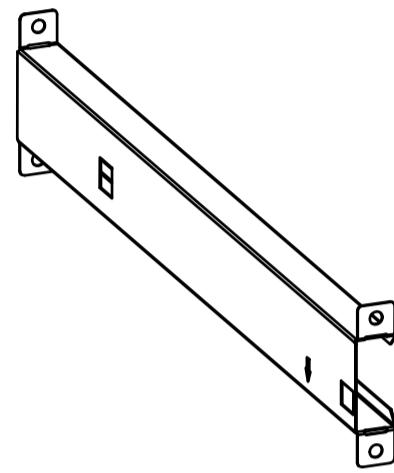
④ x1pc



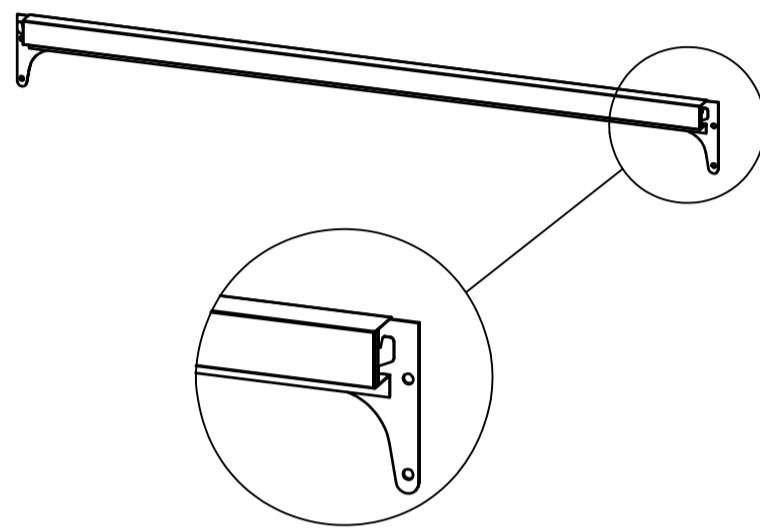
⑤ x1pc



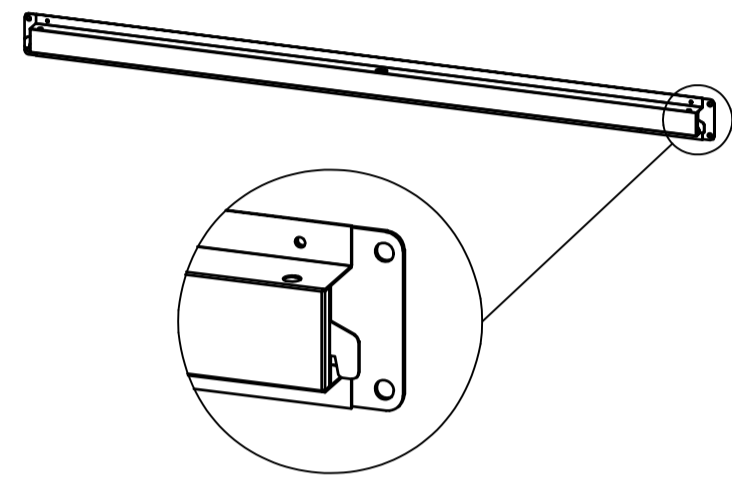
⑥ x1pc



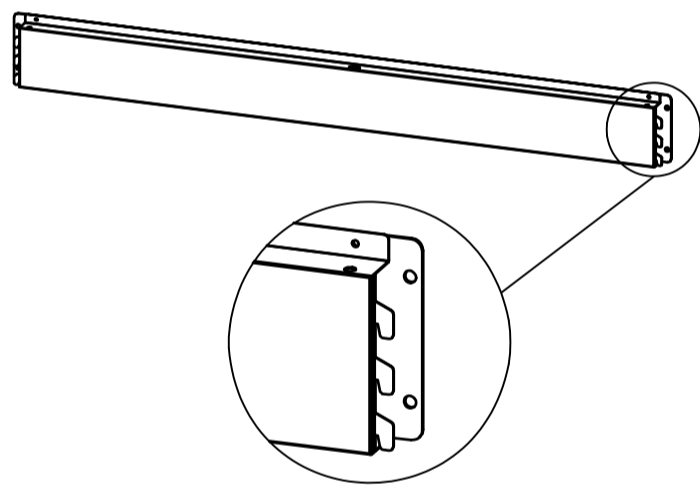
⑦ x2pc



⑧ x1pc



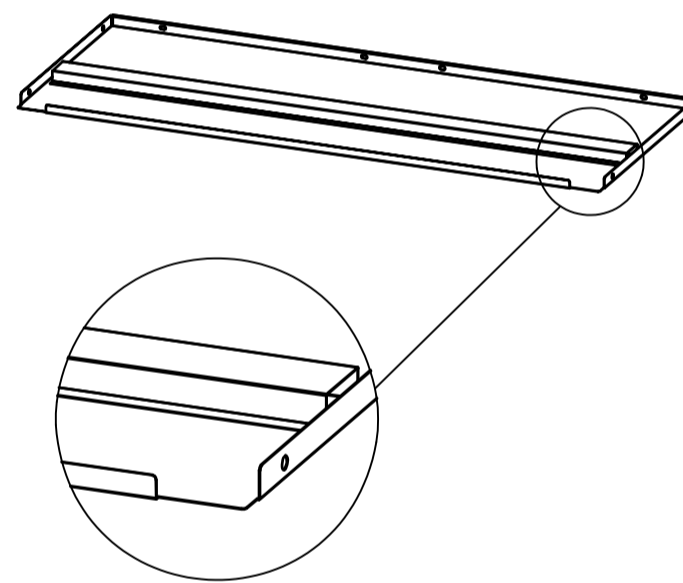
⑨ x1pc



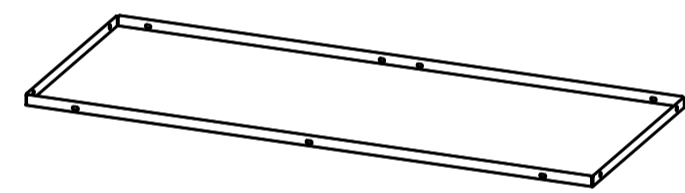
⑩ x3pc



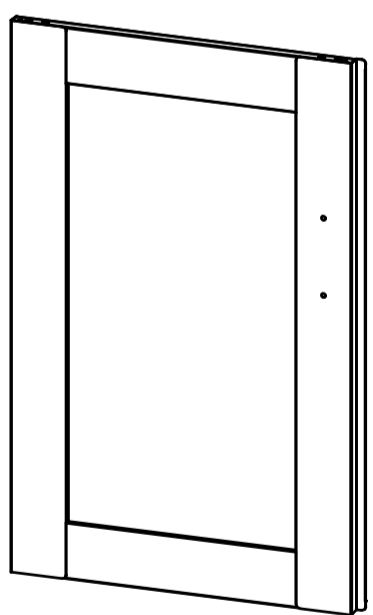
⑪ x2pc



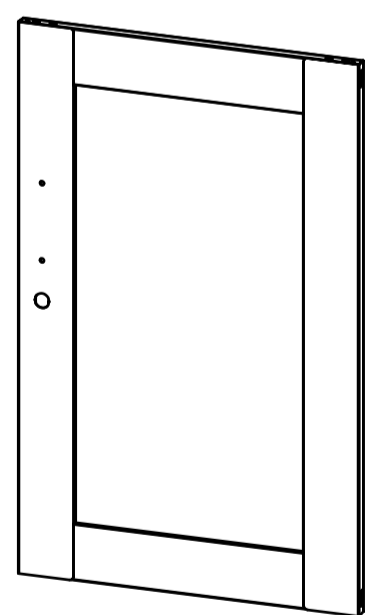
⑫ x1pc



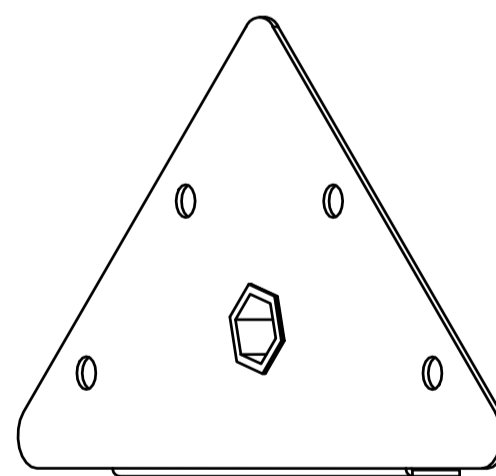
⑬ x2pc



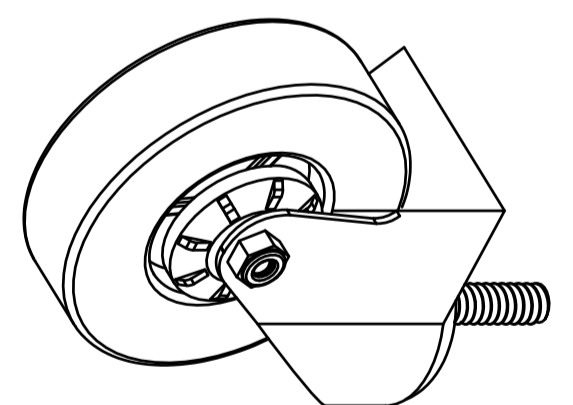
⑭ x2pc



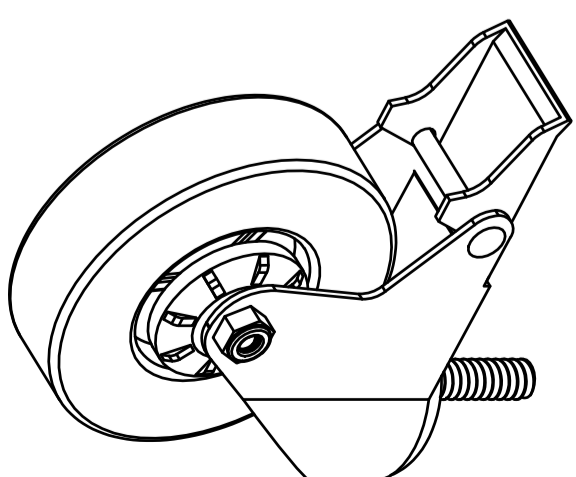
⑮ x4pc



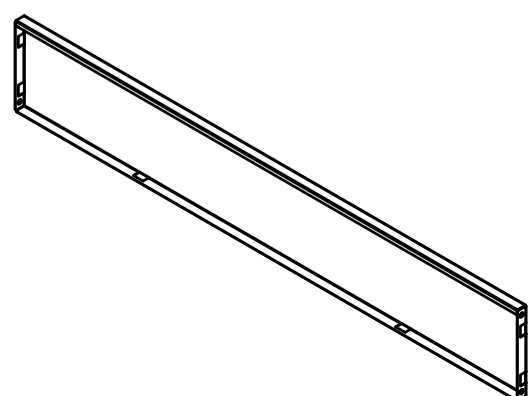
⑯ x2pc



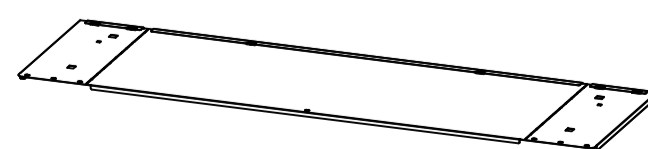
⑰ x1pc



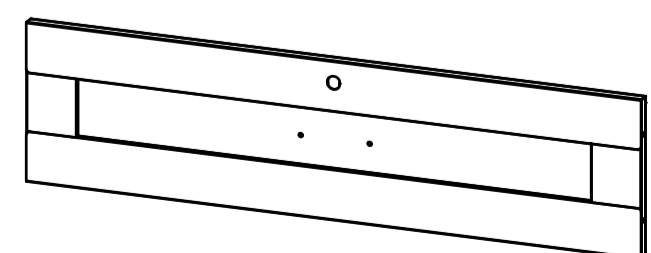
⑱ x1pc



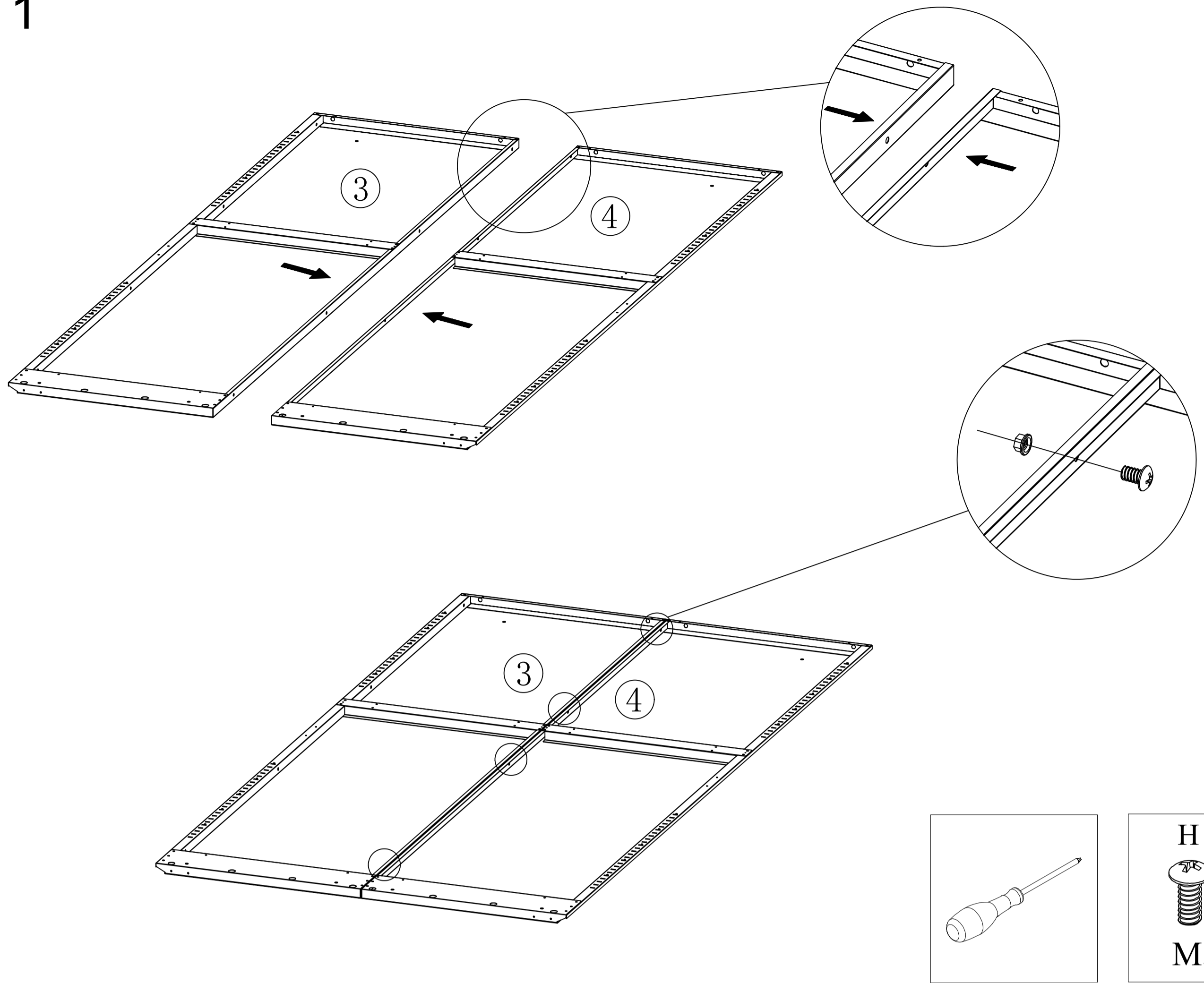
⑲ x1pc



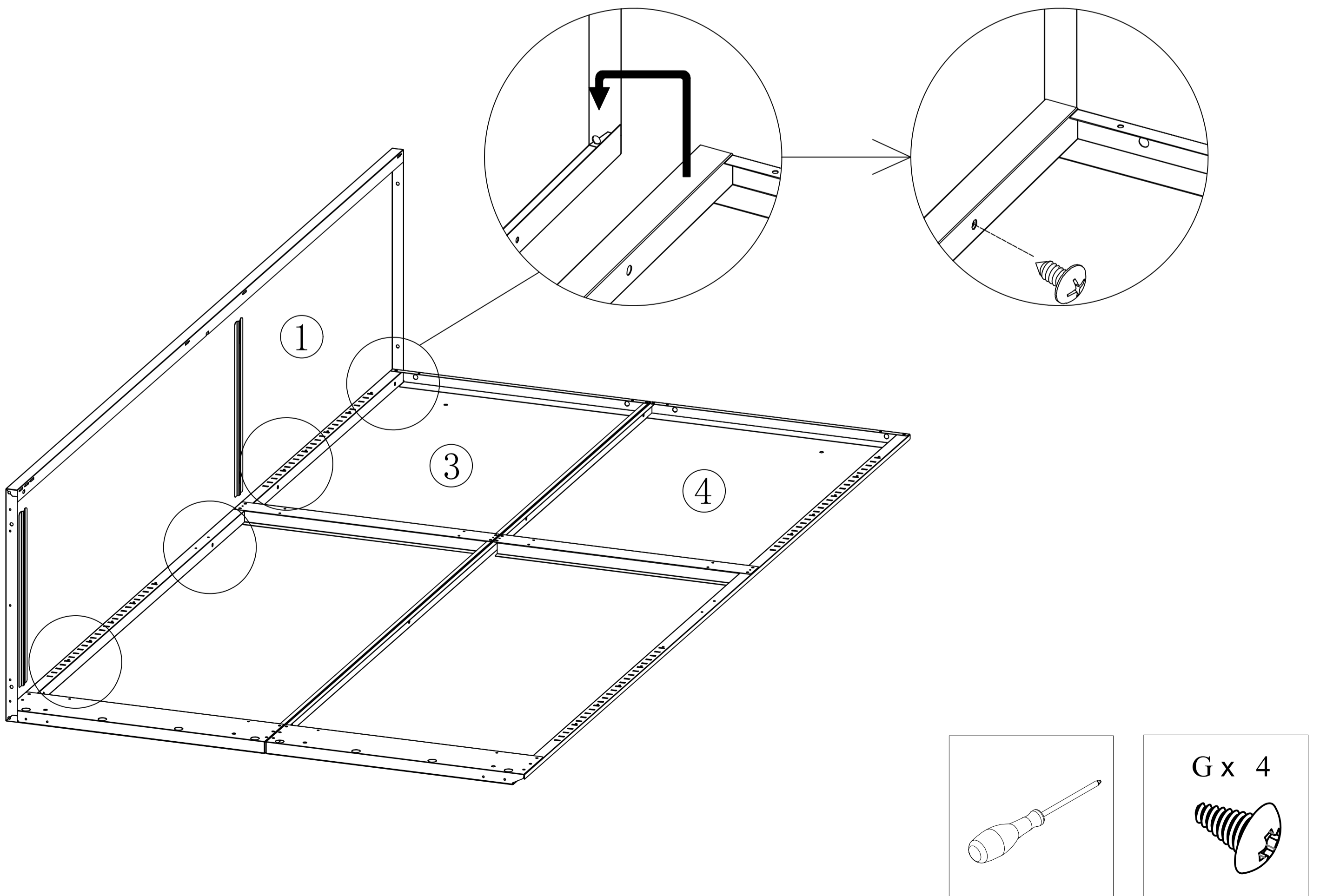
⑳ x1pc



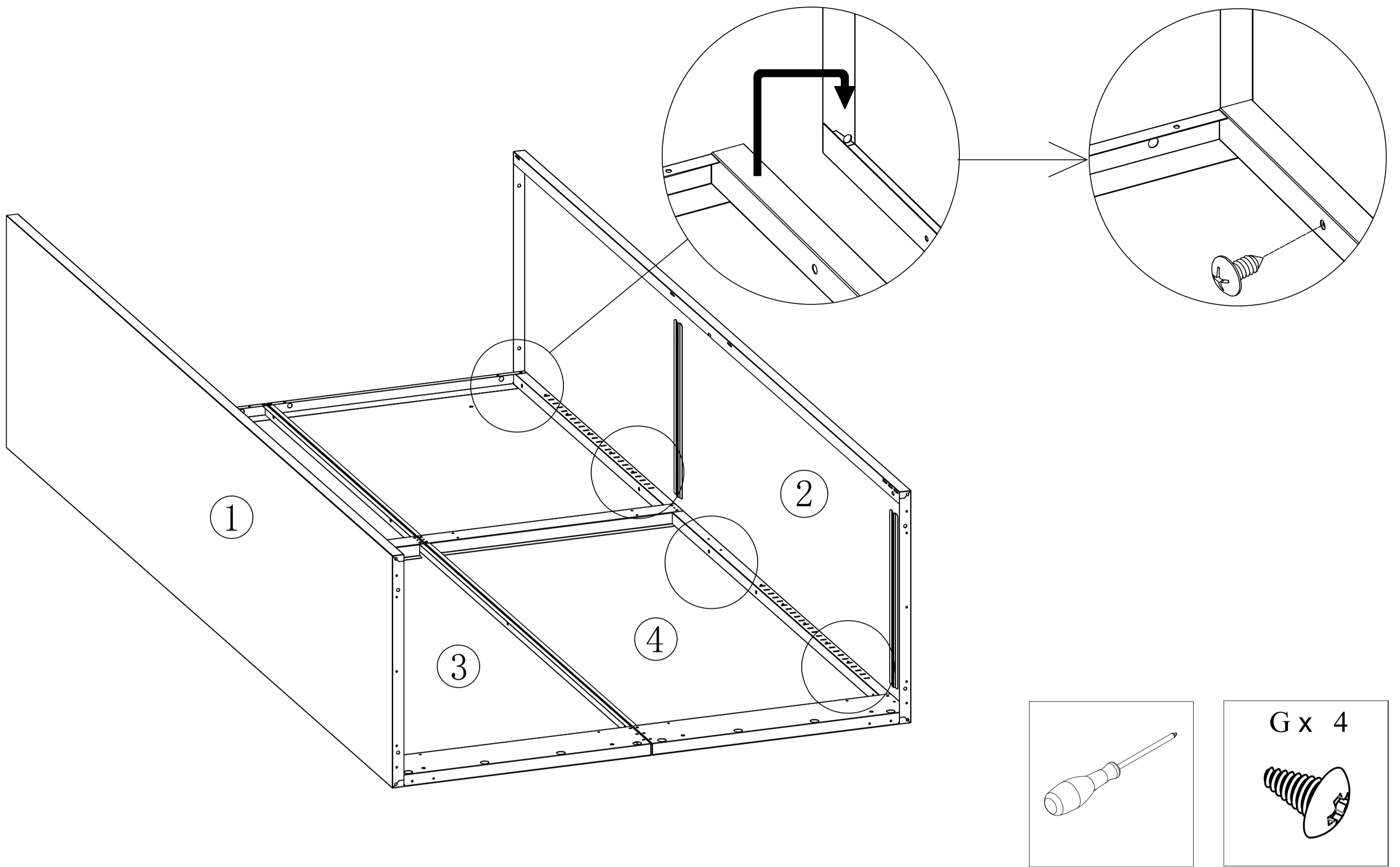
Step 1



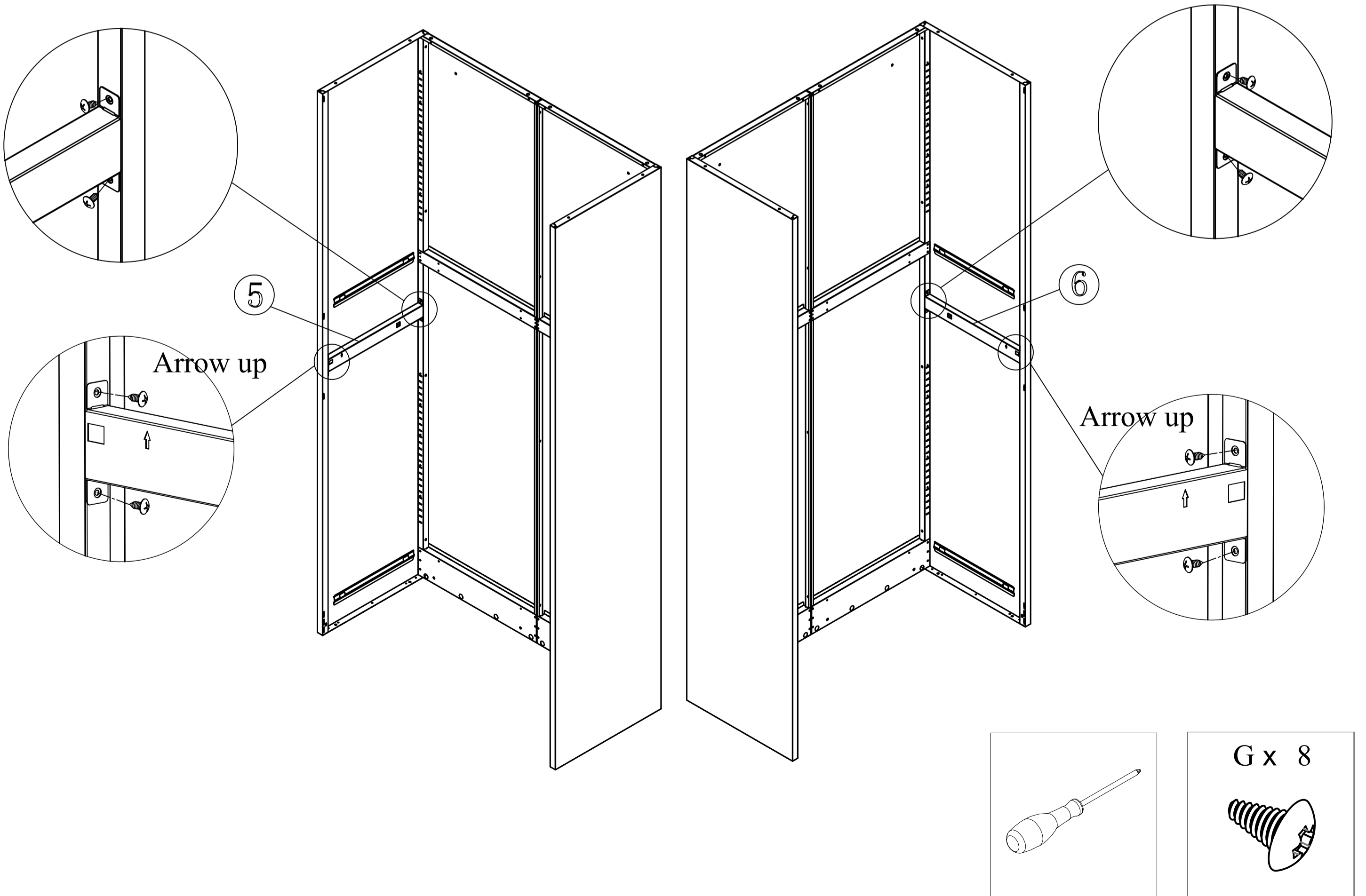
Step 2



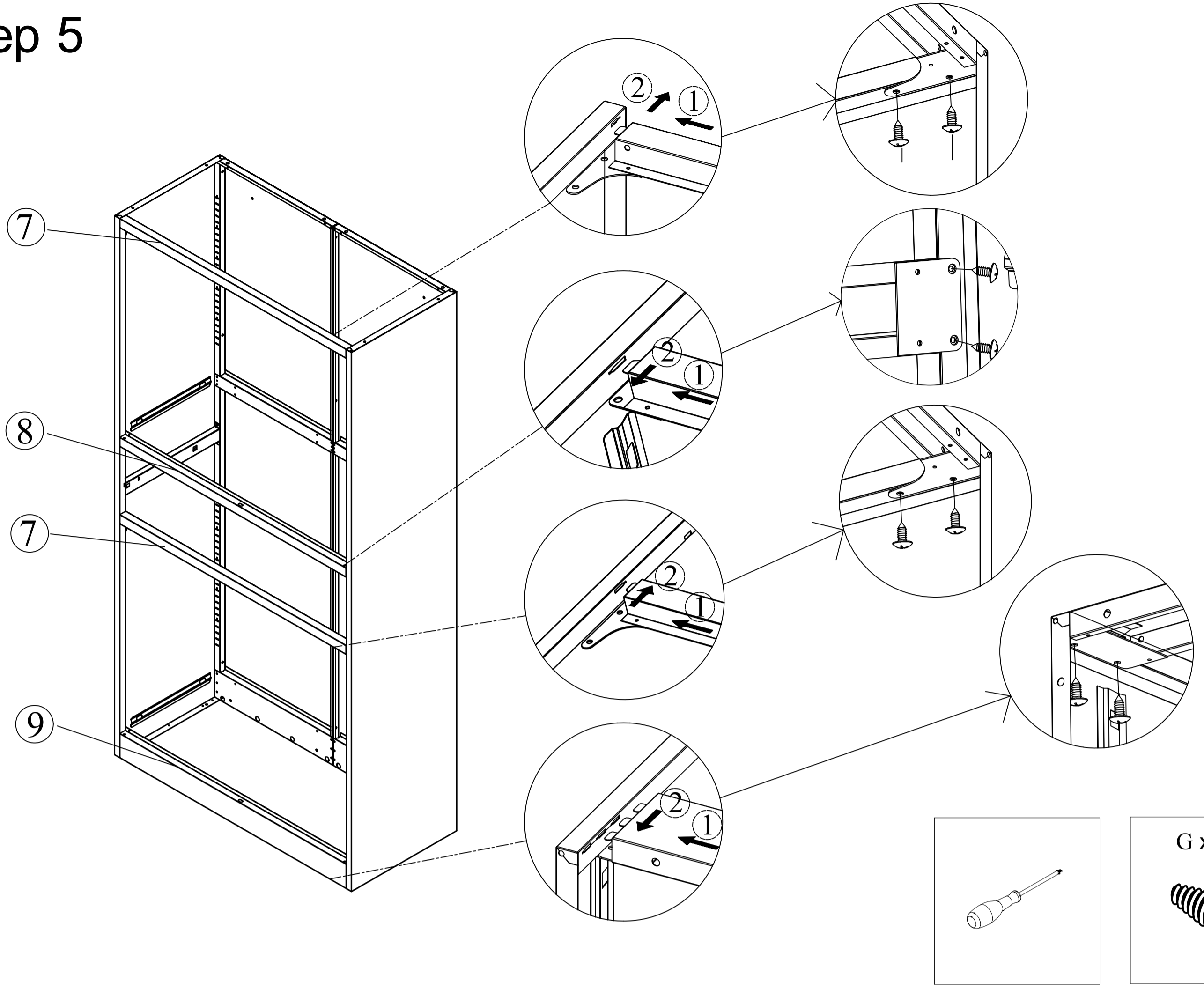
Step 3



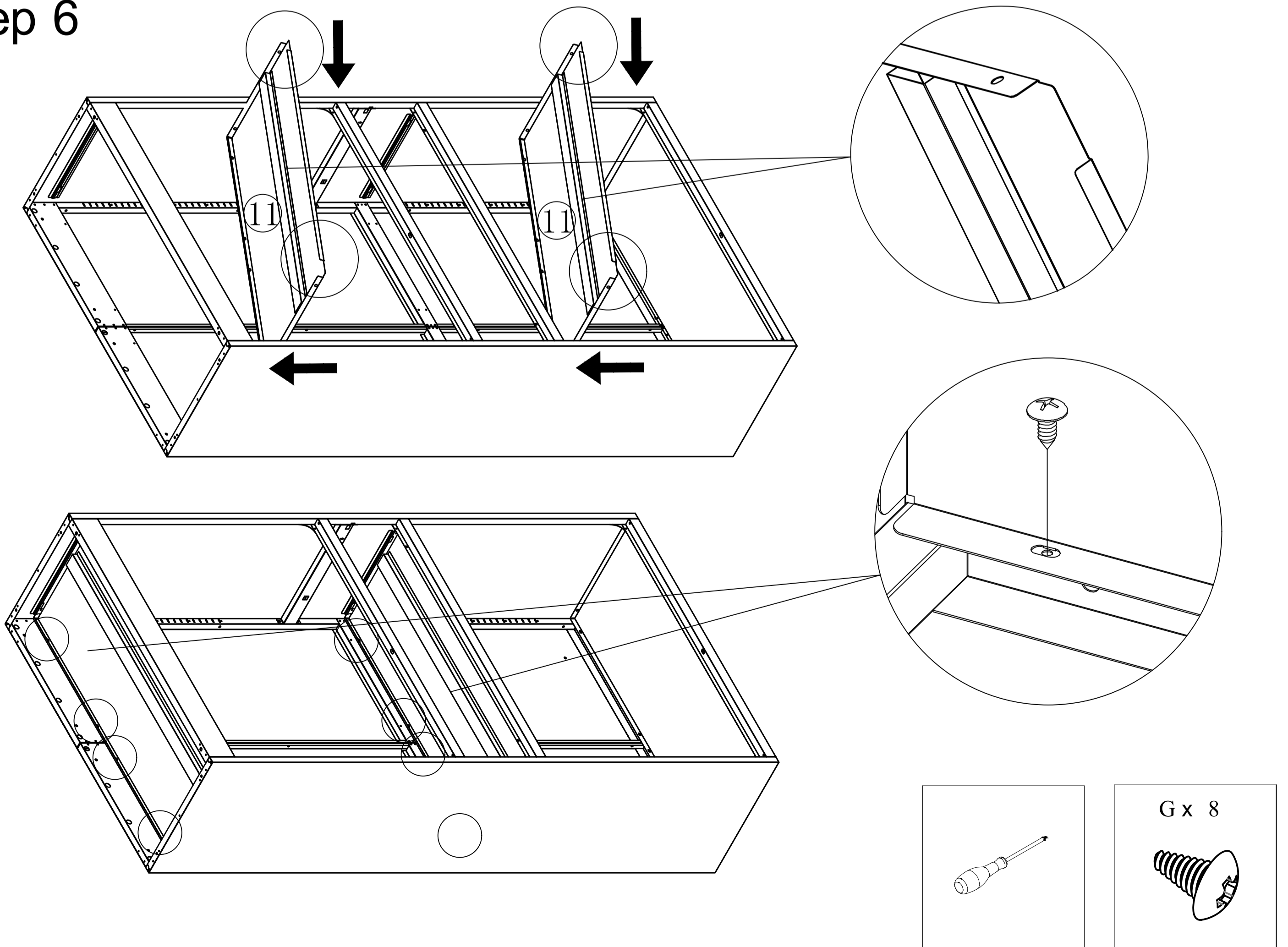
Step 4



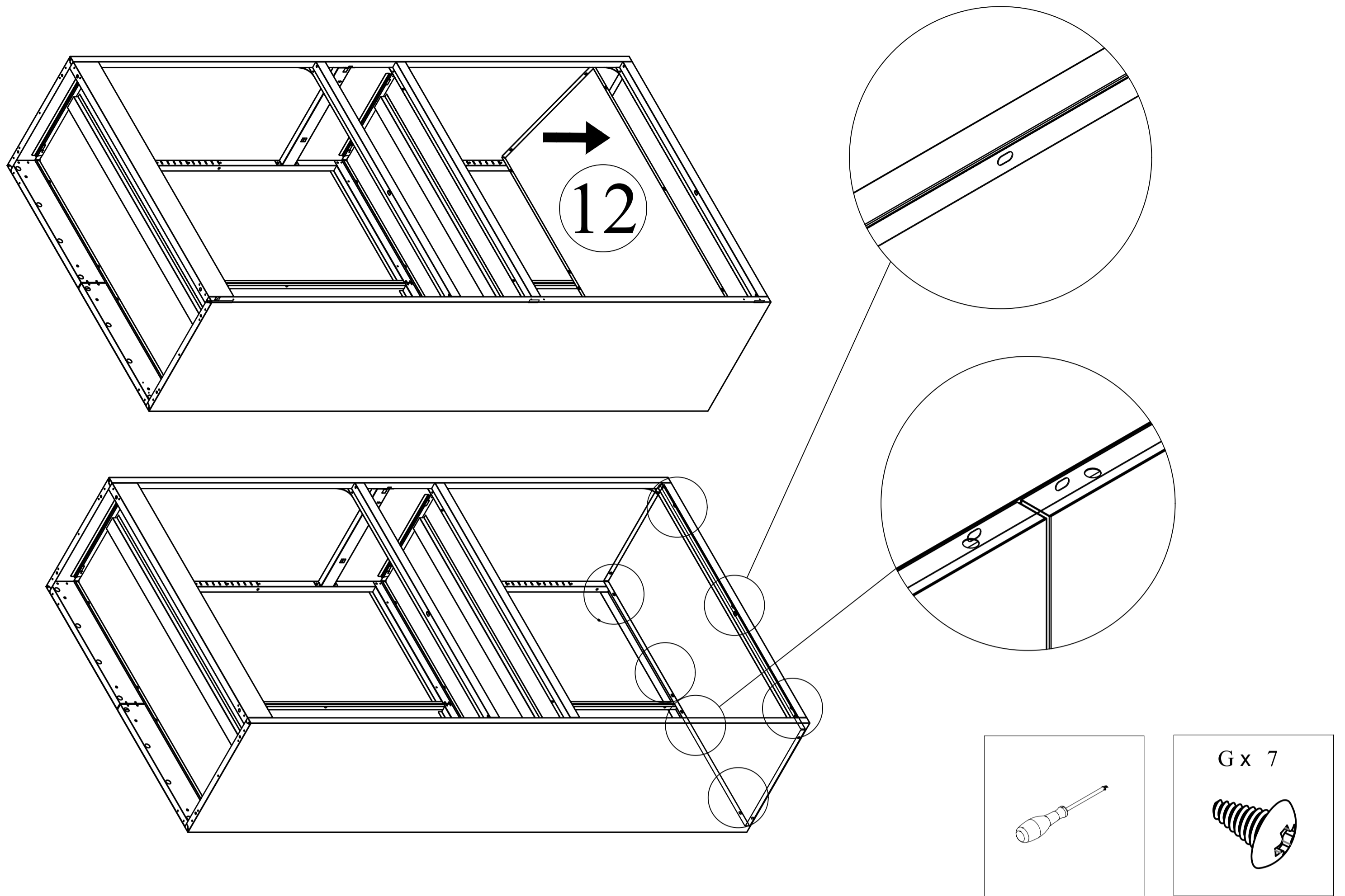
Step 5



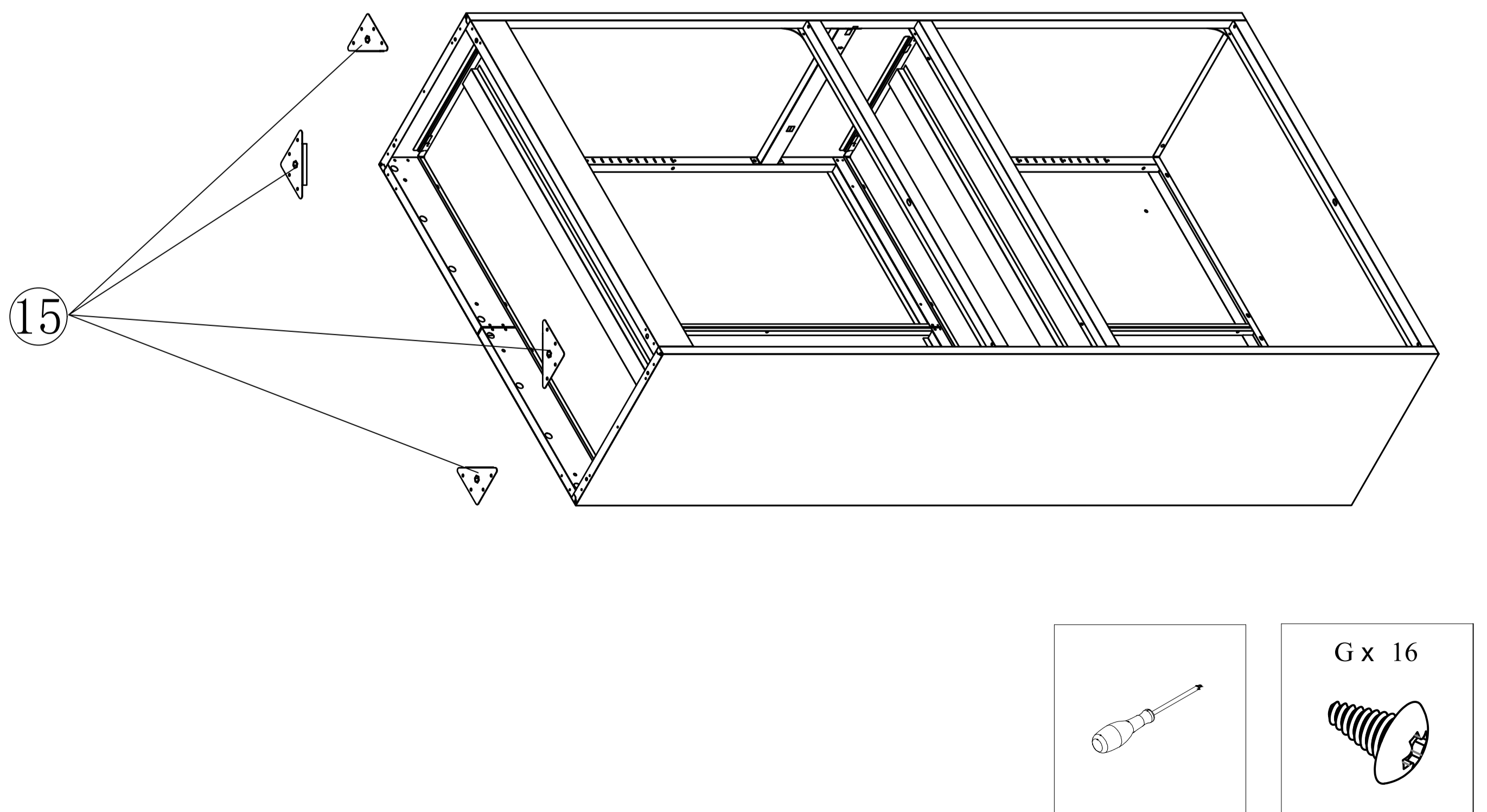
Step 6



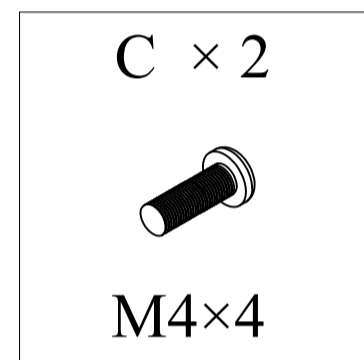
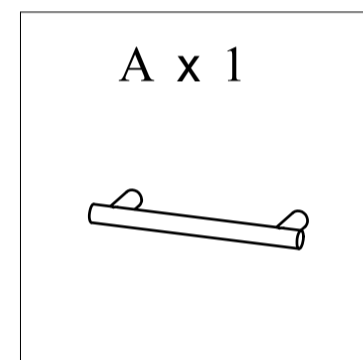
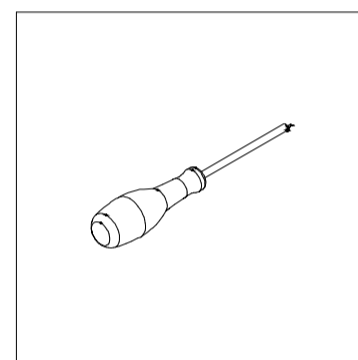
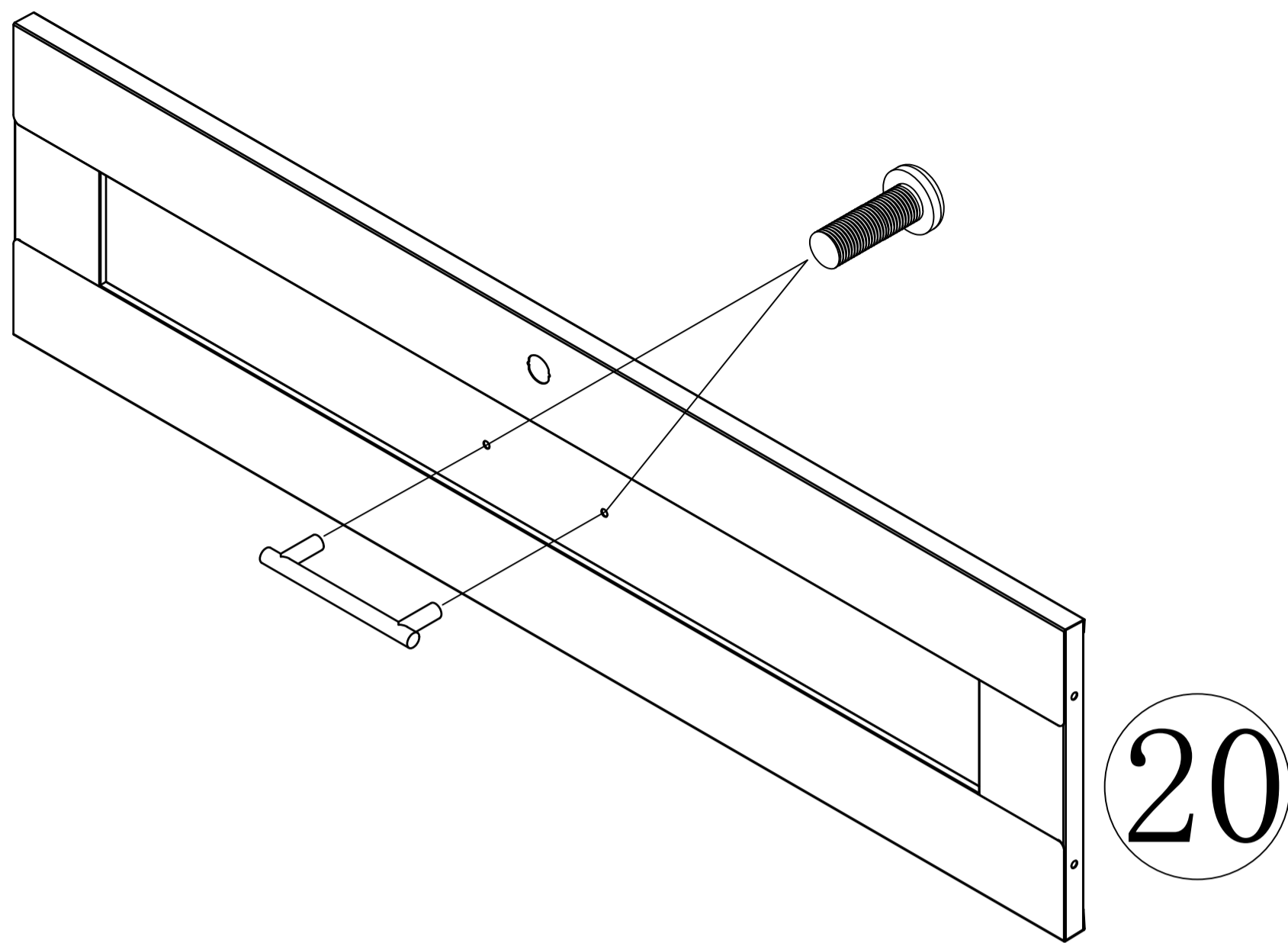
Step 7



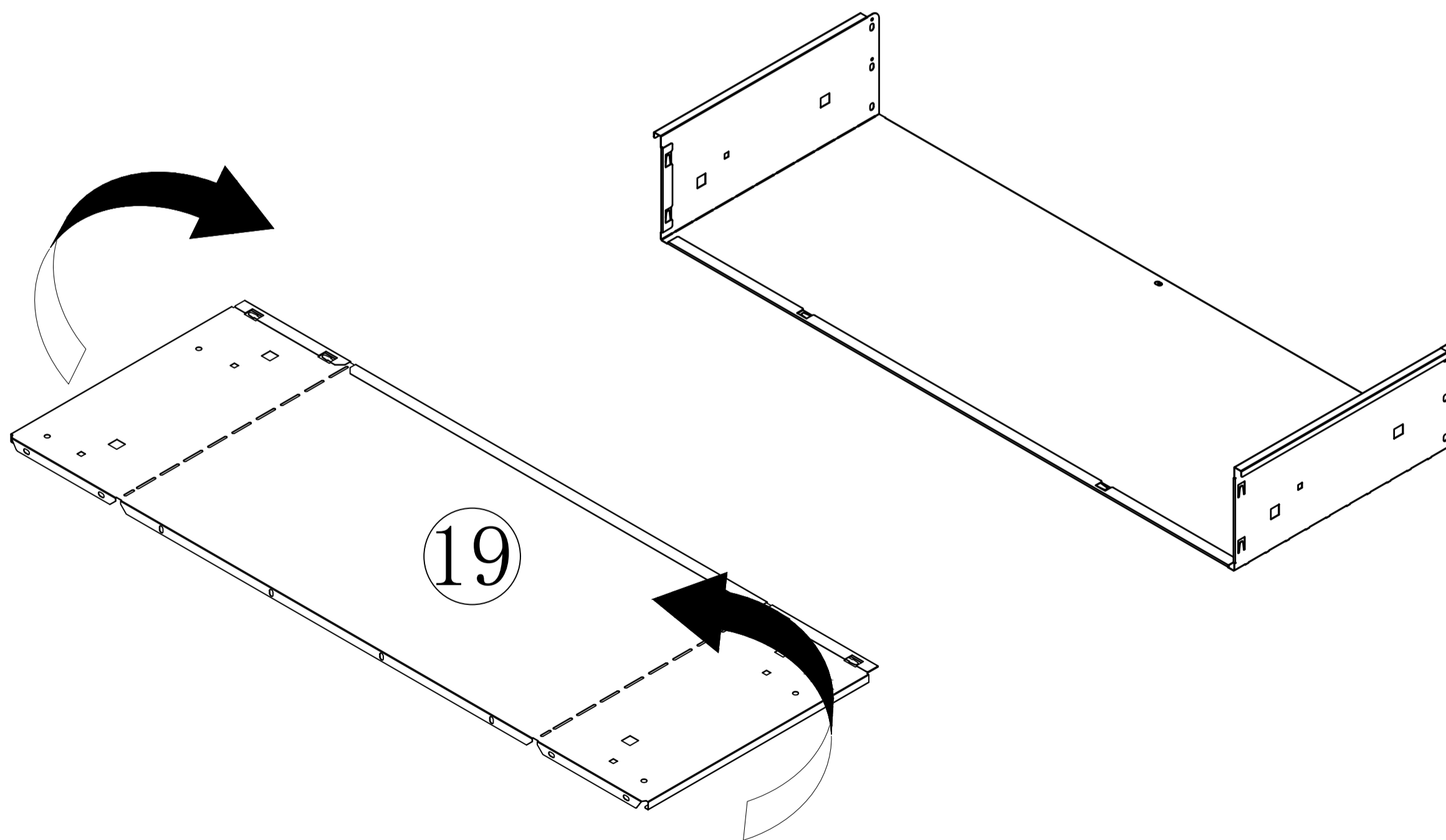
Step 8



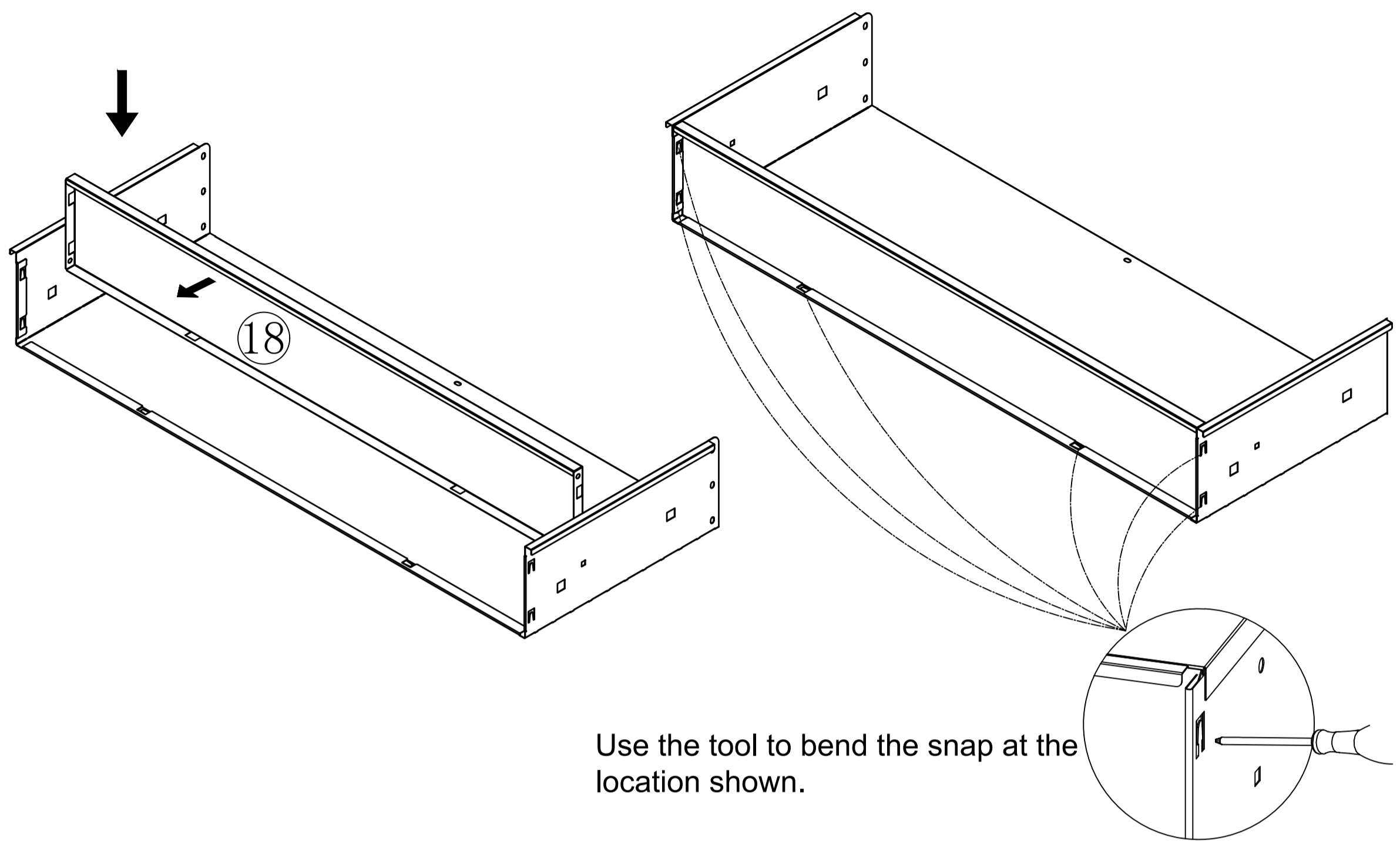
Step 11



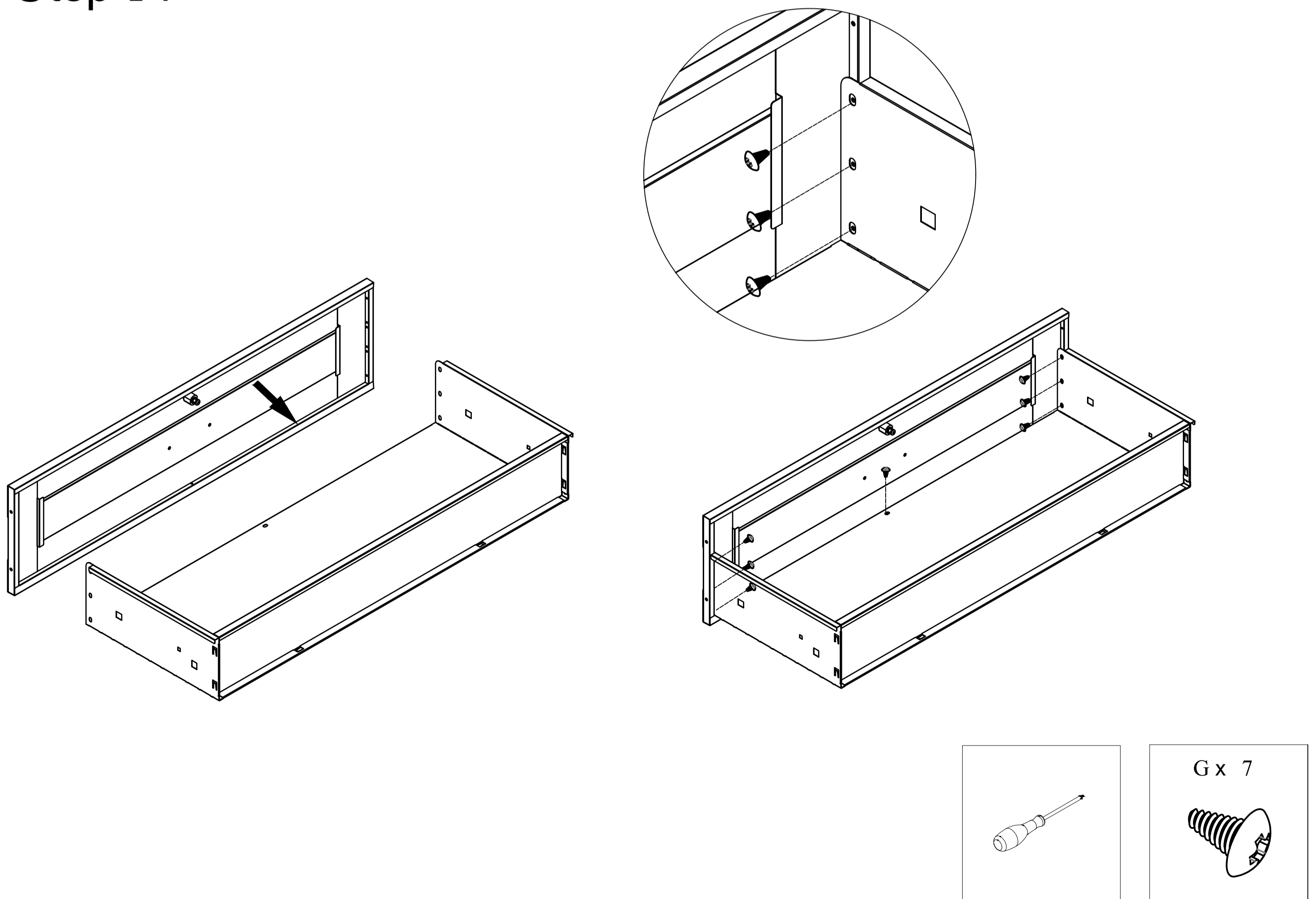
Step 12



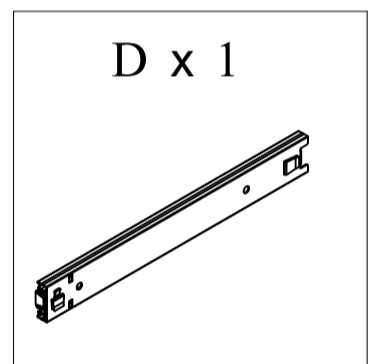
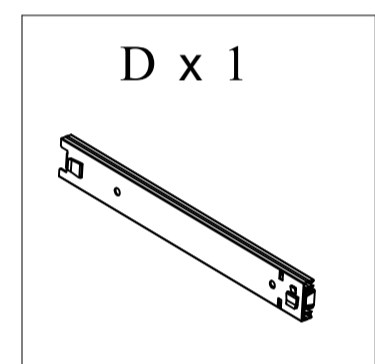
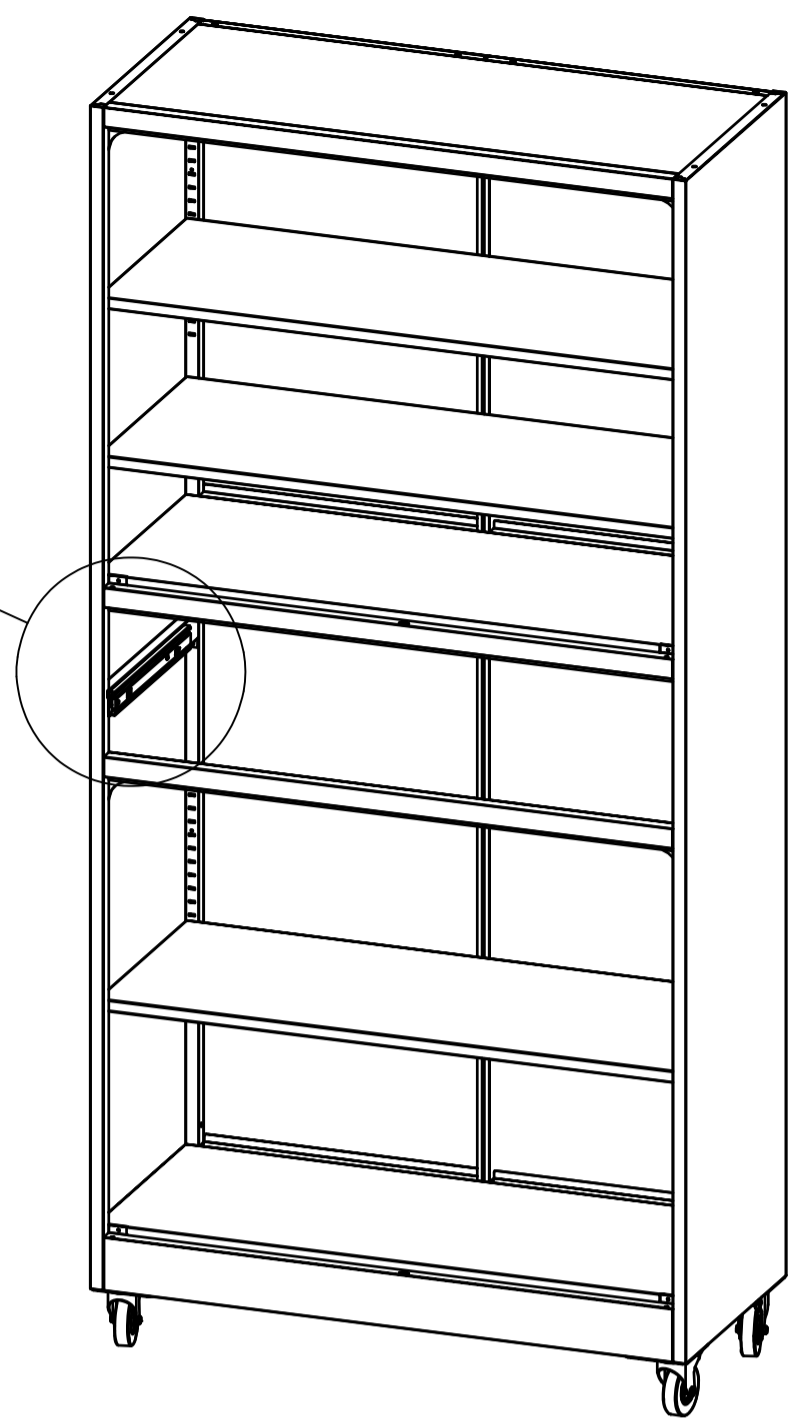
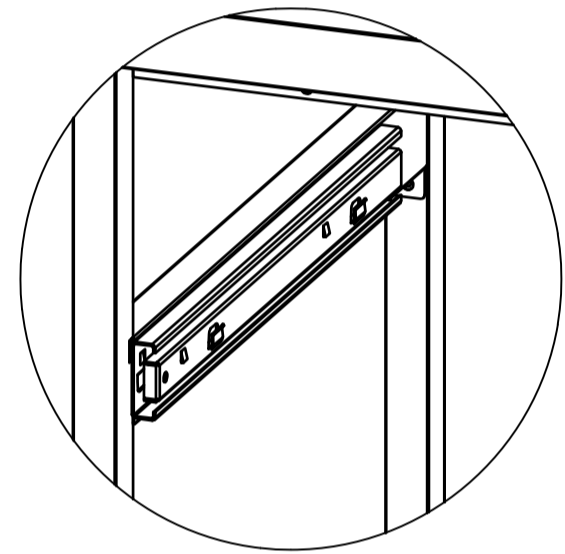
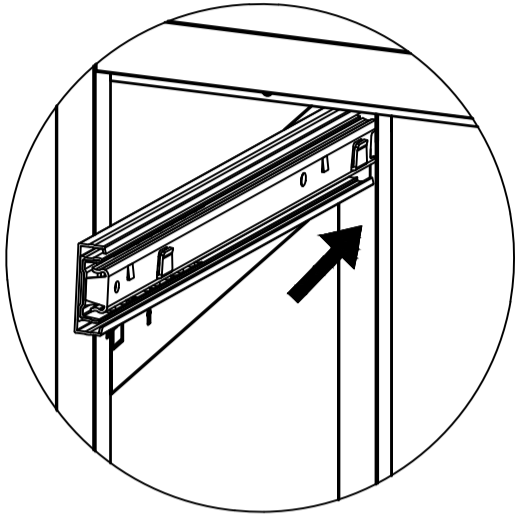
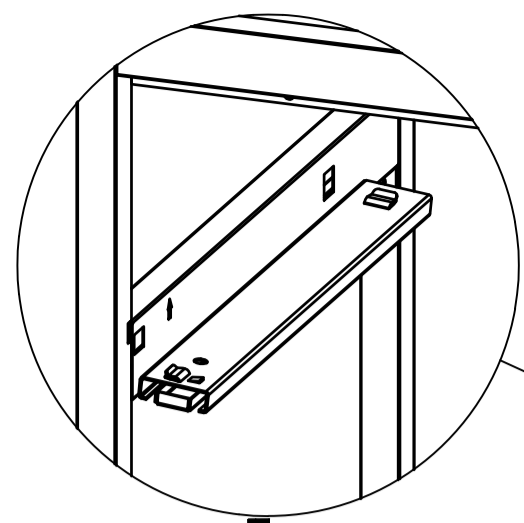
Step 13



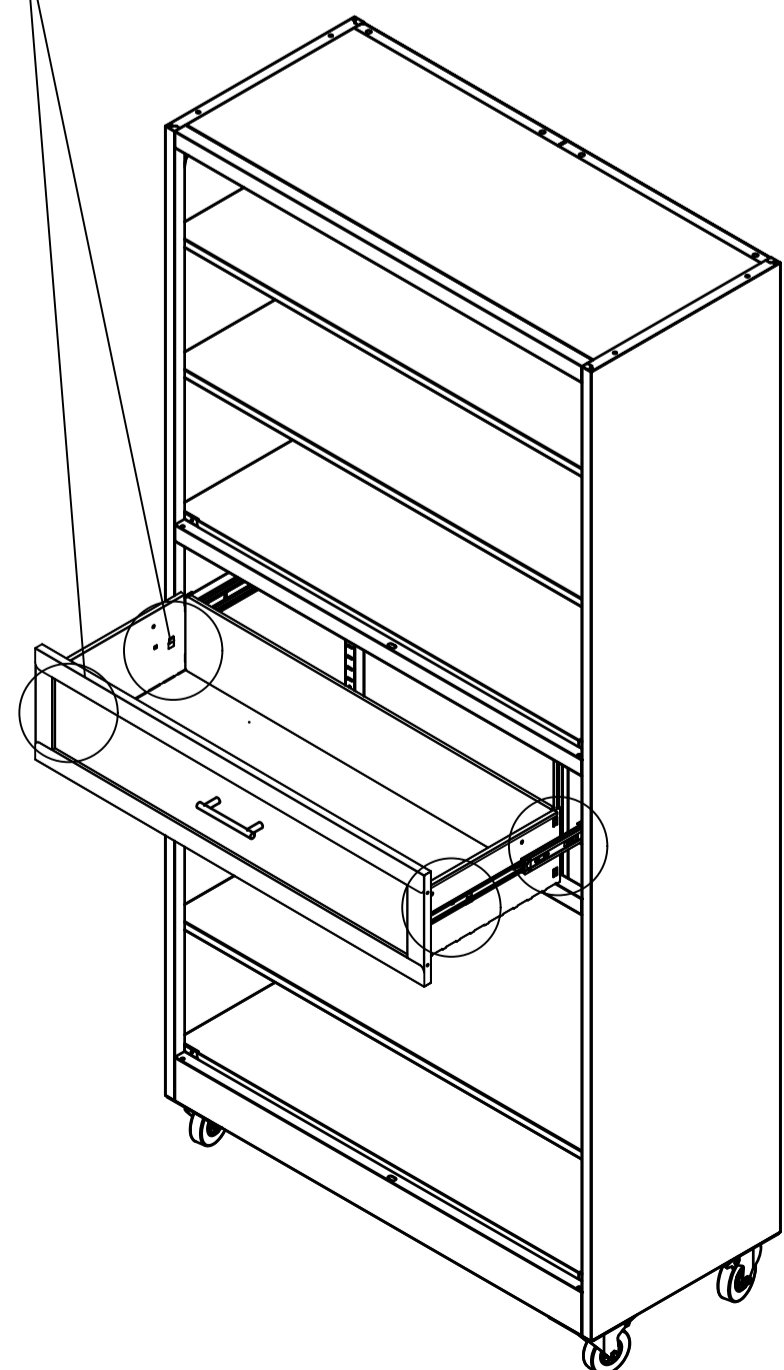
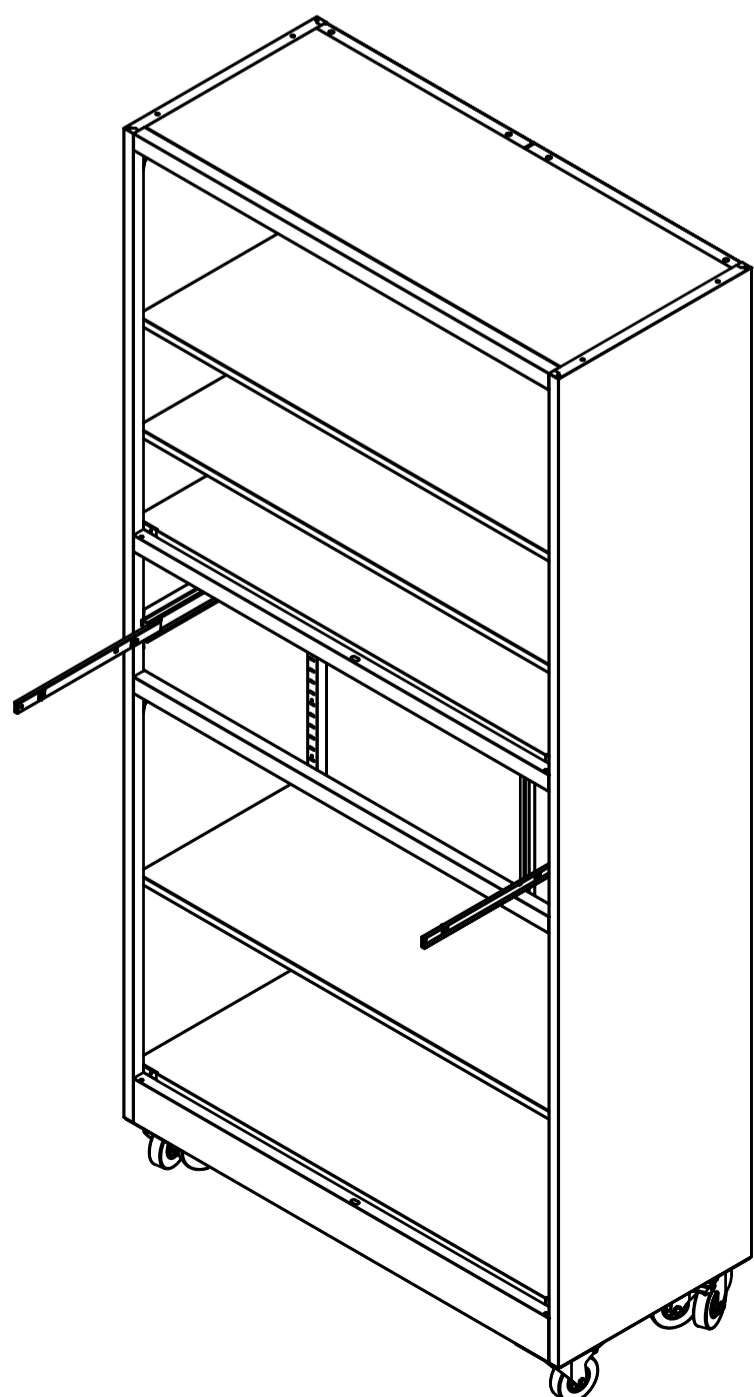
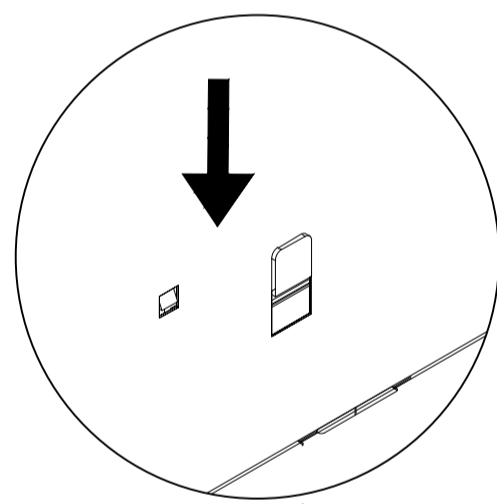
Step 14



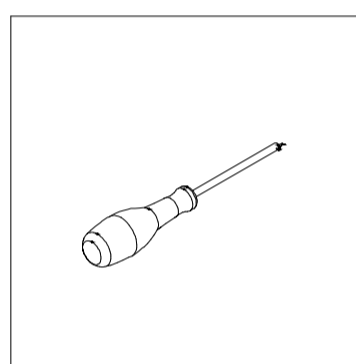
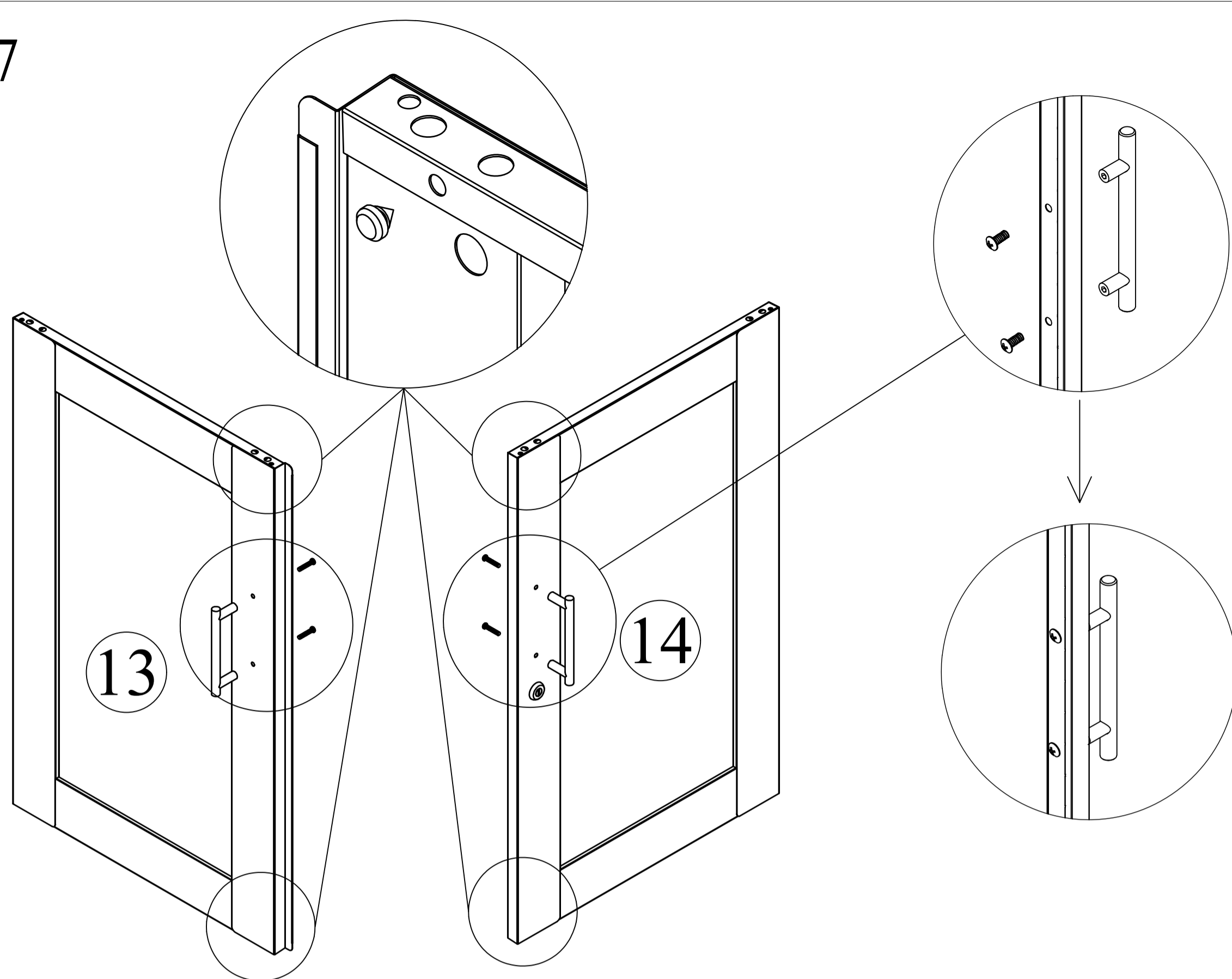
Step 15



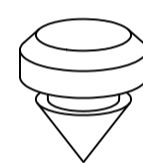
Step 16



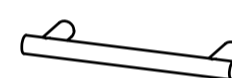
Step 17



E x 8



A x 4

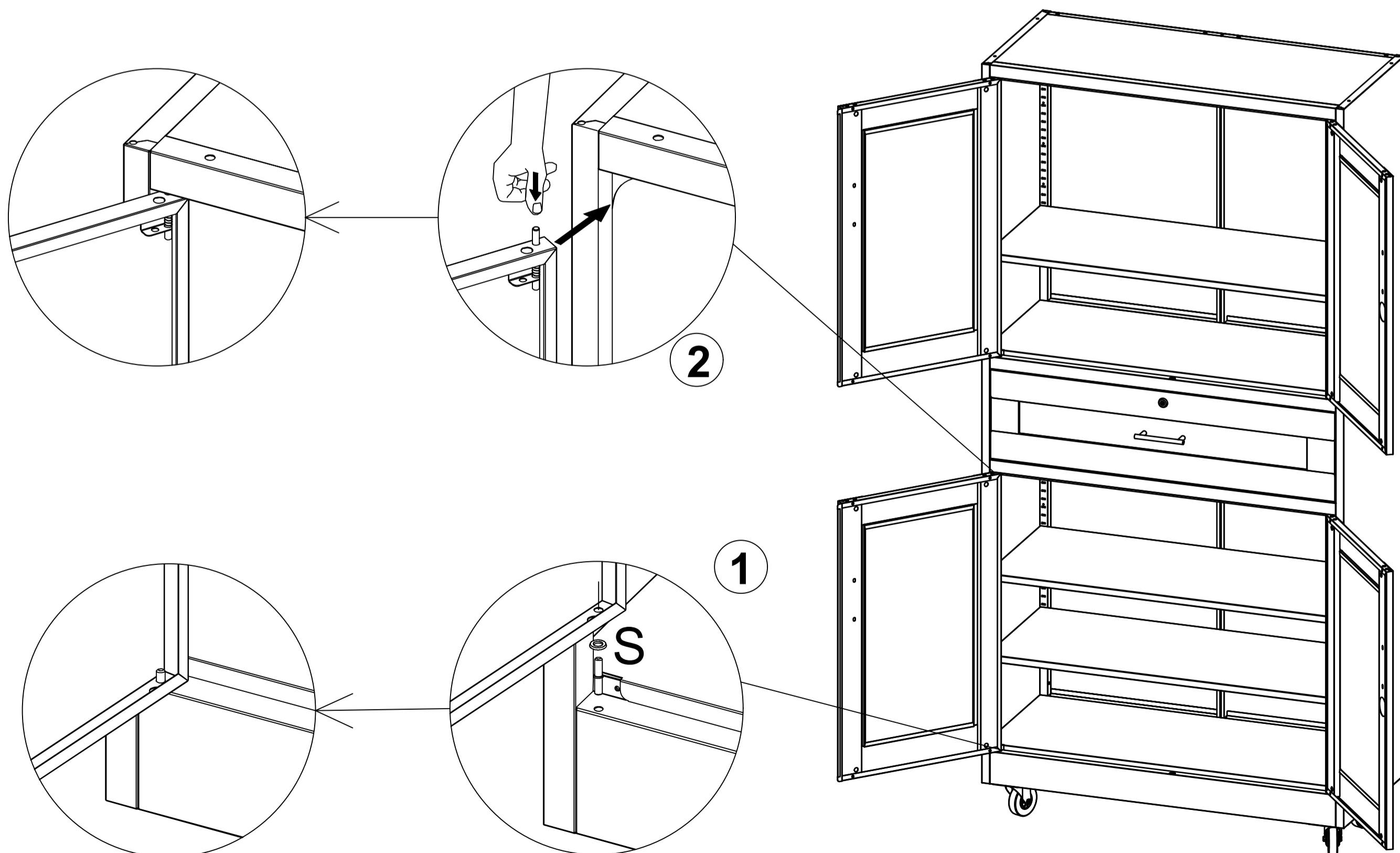


B x 8



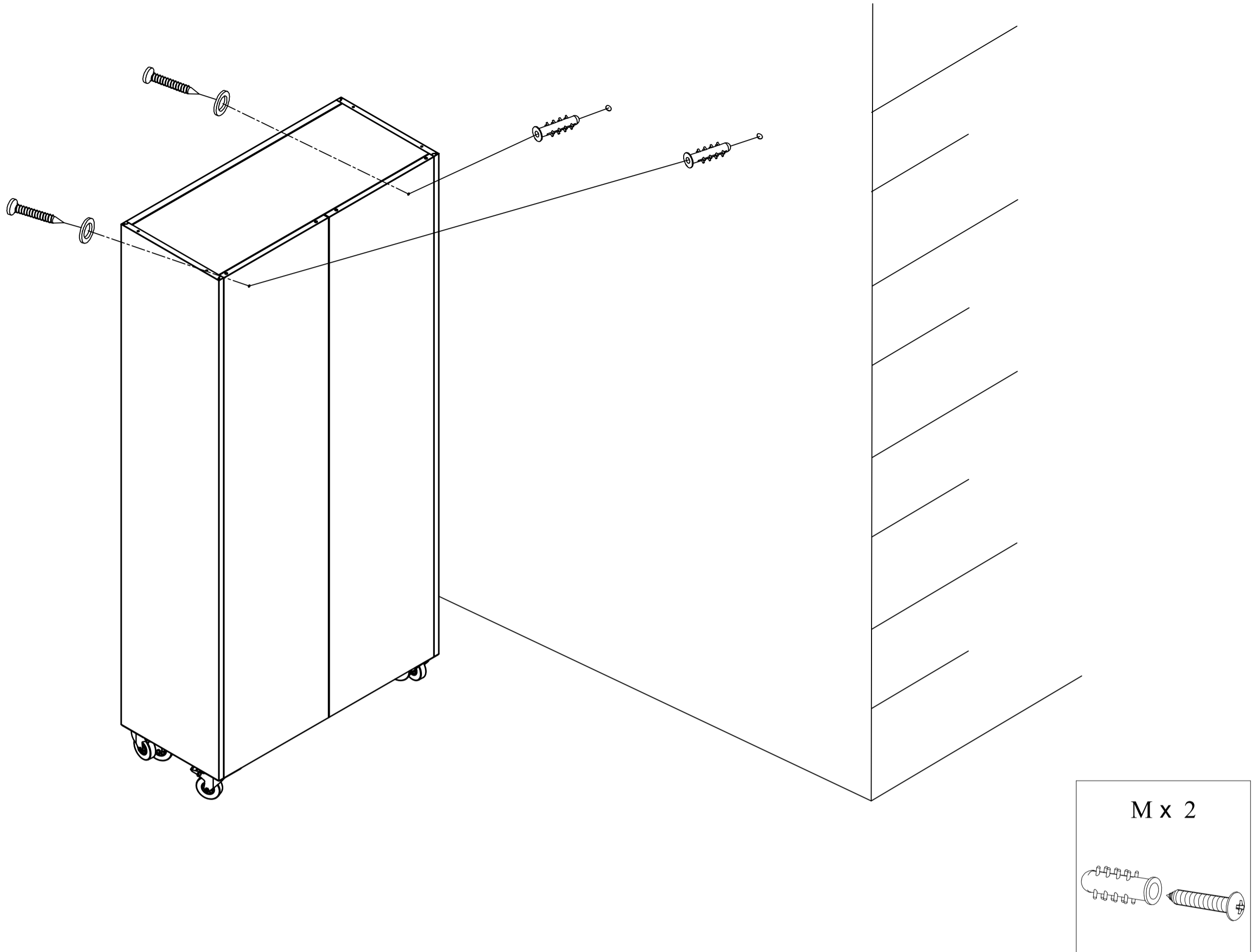
M4x25

Step 18



Step 19

The cabinet can be fixed to the wall as needed.



Step 20

Question 1: When the door is closed, it still protrudes outward.
That's because the door is made of steel plate and has stretchability.
You can adjust it according to the method shown in the picture.

