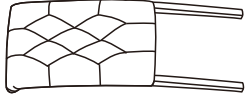

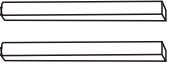



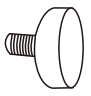
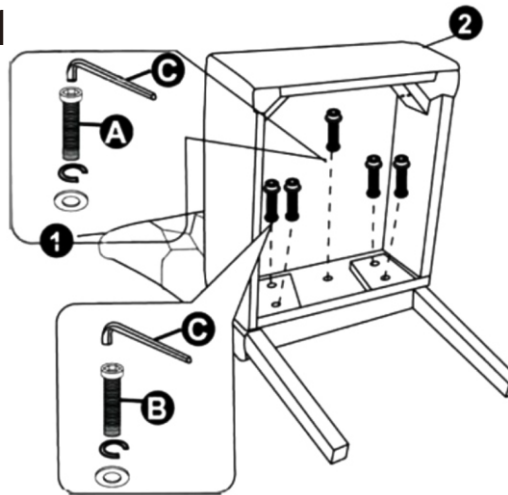


ASSEMBLY INSTRUCTION

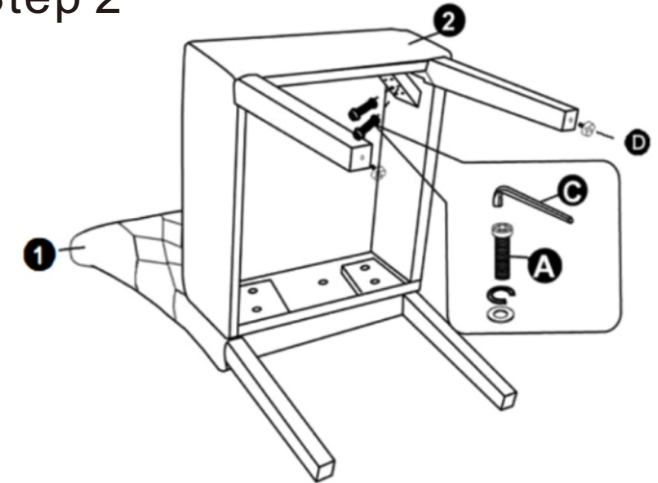
Parts Included for One Chair		
Number	Parts	Quantity
1	 Back	1
2	 Seat	1
3	 Front Leg	2
A	 M8*60mm	5
B	 M8*80mm	4
C	 Allen Key	1
D	 Adjustable Footnail	2

Step 1



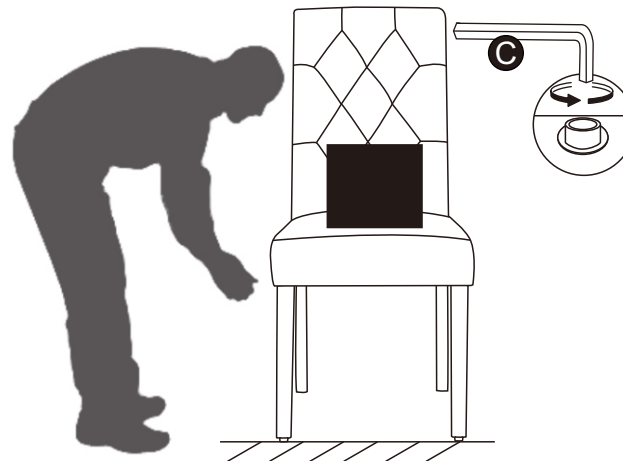
Inserts the screws into the holes, 50% tighten them. Remember the bottom edge of the back and seat should be aligned horizontally. (Key step to avoid wobbly)

Step 2



Inserts the screws into the holes, 50% tighten them.

Step 3



Place the chair on ground and put your hands on the seat to adjust the balance. Then 100% tighten all the screws. Attach the seat cover.

Attention

1. 50% tighten at first, 100% tighten the screws when the chair is finished.
2. Remember the bottom edge of the back and seat should be aligned horizontally.
3. If the chair is still wobbly, you can adjust the foot nails on the bottom of the legs to improve the balance. After a time of use, the screws on the wooden chairs are prone to loosening and require regular tightening.