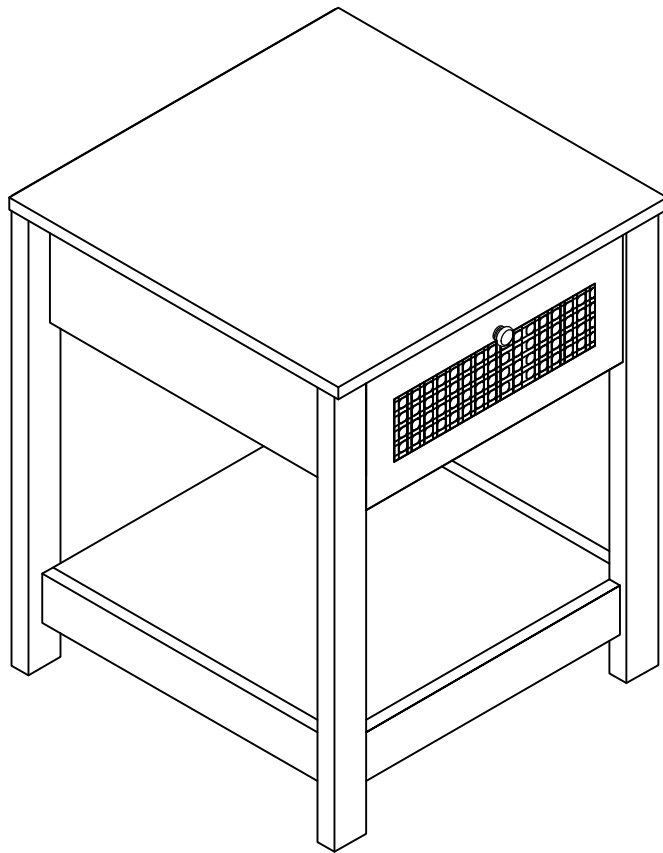


# Assembly Instruction

---

## End table

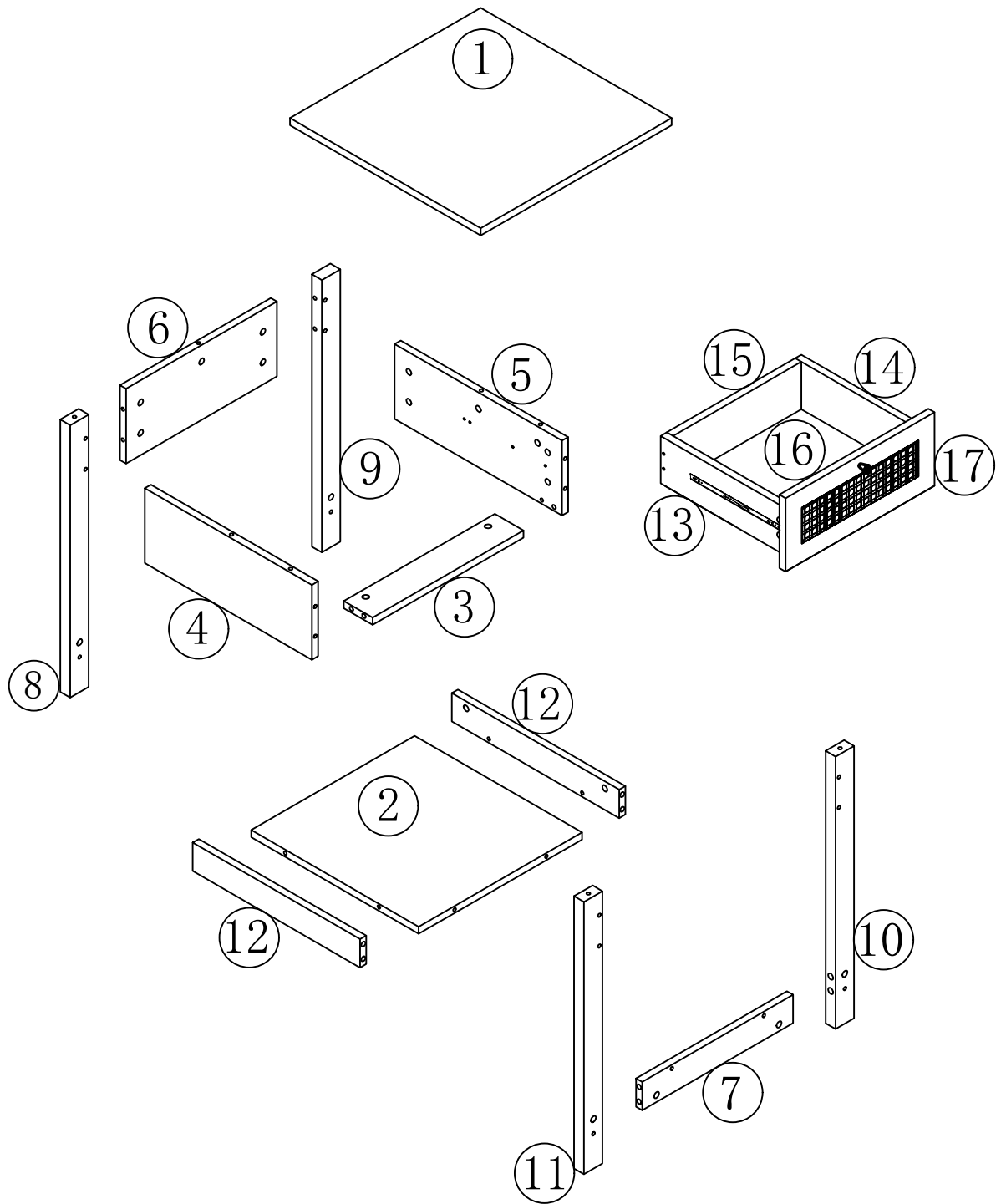


---

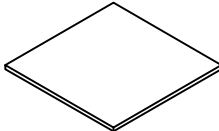
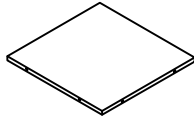
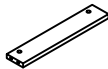
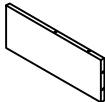
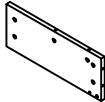
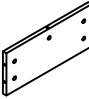
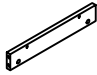
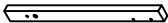
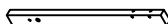
### ASSEMBLY TIPS:

1. Remove hardware from box and sort by size.
2. Please check to see that all hardware and parts are present prior to start of assembly.
3. Please follow attached instructions in the same sequence as numbered to assure fast & easy assembly.

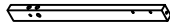
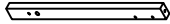
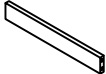



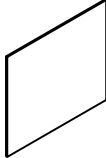
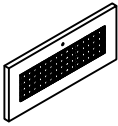
# Parts List



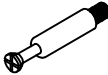

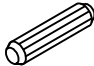









# Parts List

Number	Name	Part	Qty
1	Table top		x1PC
2	Floating shelf		x1PC
3	Front brace		x1PC
4	Left side board		x1PC
5	Right side board		x1PC
6	Back plate		x1PC
7	Shelf front brace		x1PC
8	Left hind leg		x1PC
9	Right hind leg		x1PC

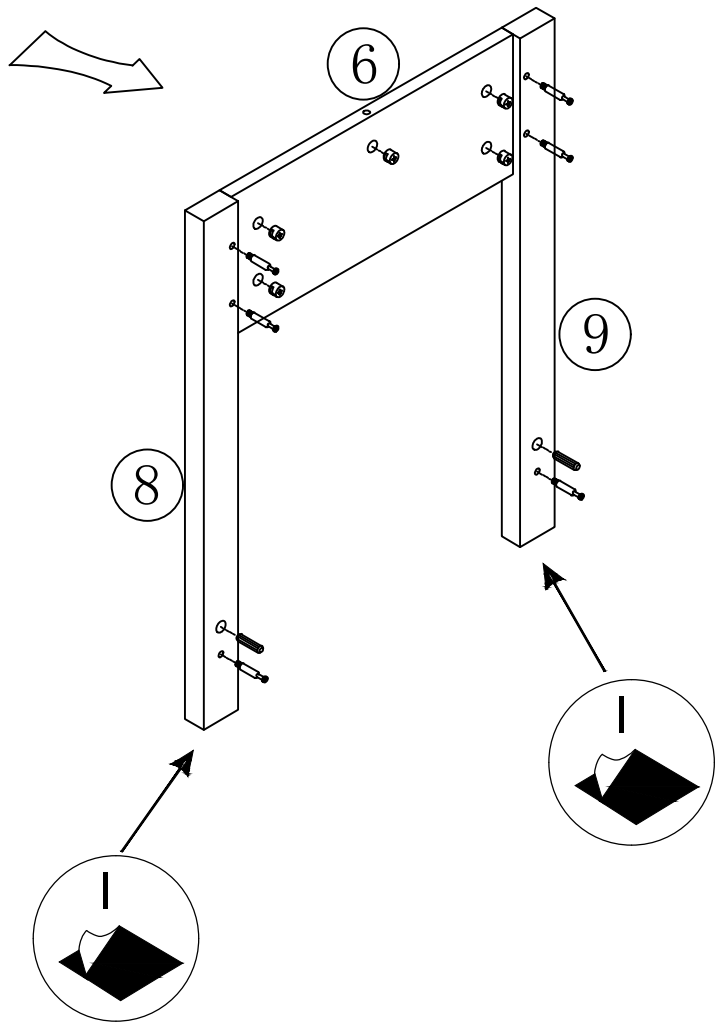
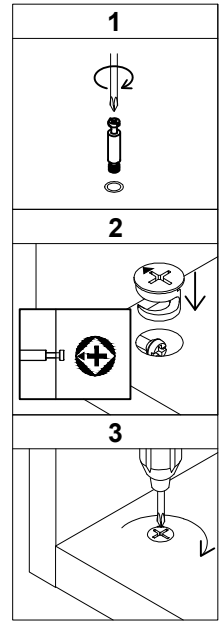
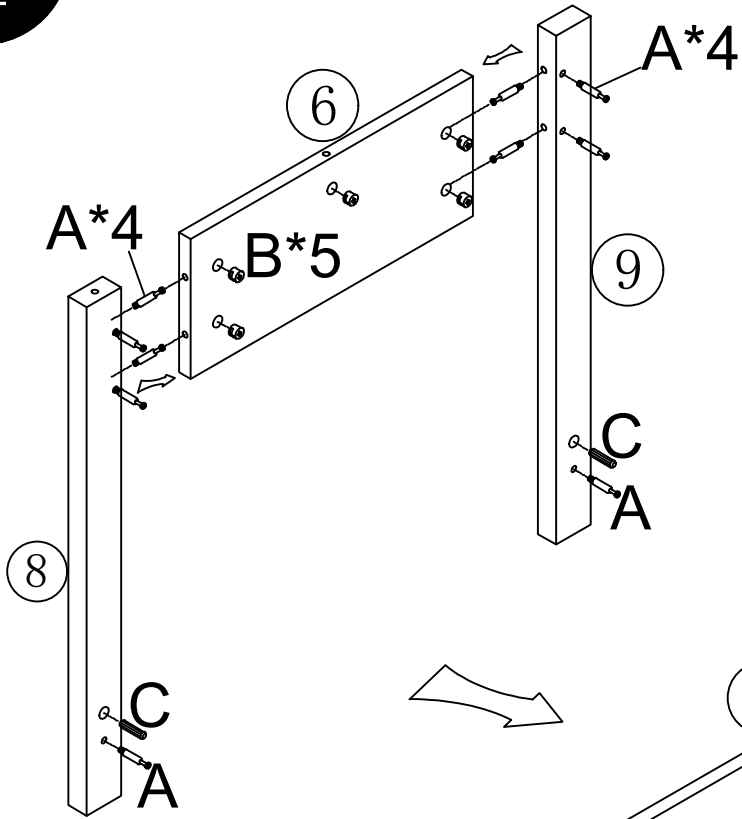
# Parts List





Number	Name	Part	Qty
10	Right front leg		x1PC
11	Left front leg		x1PC
12	brace under shelf		x2PCS
13	Drawer left panel		x1PC
14	Drawer right panel		x1PC
15	Drawer back panel		x1PC
16	drawer-bottom board		x1PC
17	Drawer front board		x1PC

# Hardware List

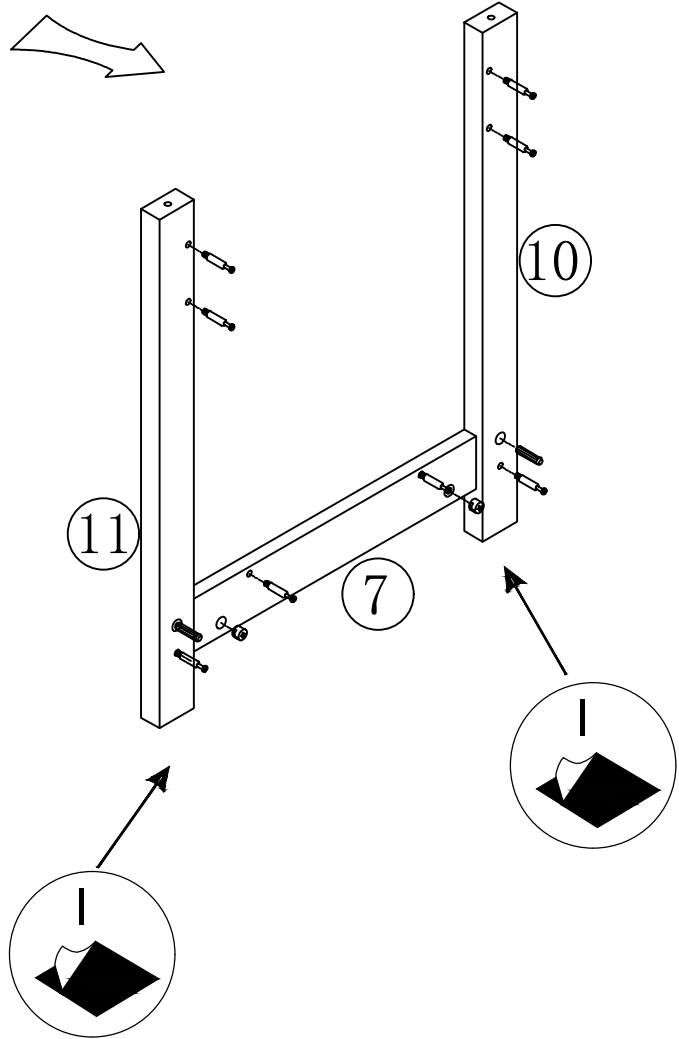
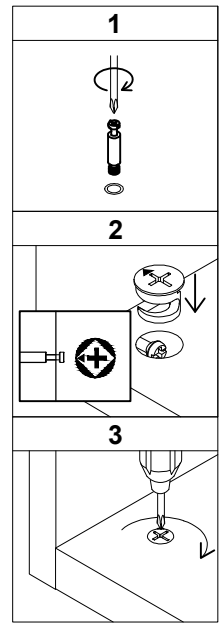
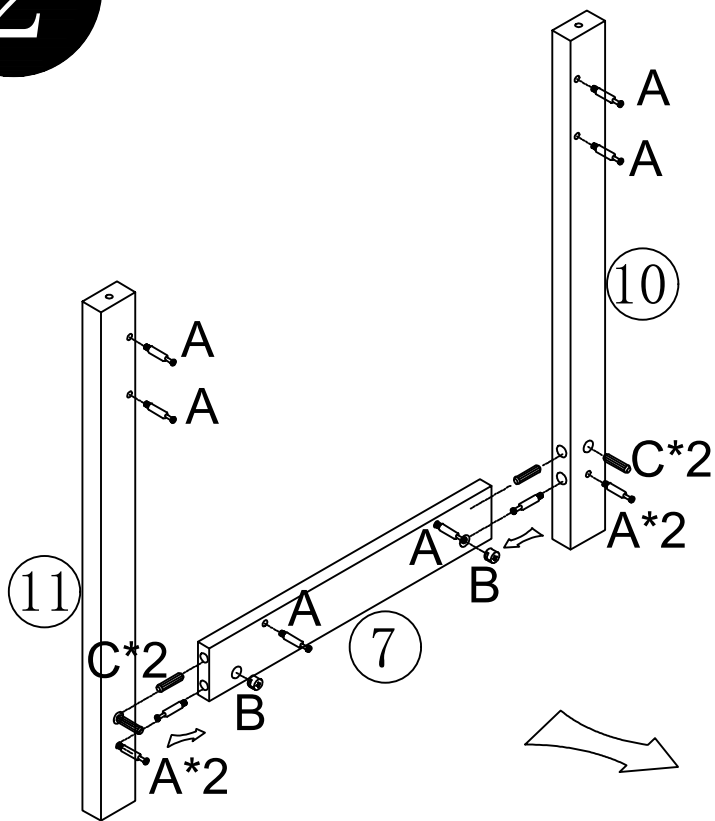
Number	Hardware	Part	Qty
A	5X40		x35PCS
B	15X11		x35PCS
C	8x30		x10PCS
D	5x40		x4PCS
E		 E1  E2	x1PC
F	3x14		x12+2PCS
G	M3		x1PC
H			x1PC
I	20x40		x4PCS
J			x1PC
K	4X20		x1PC





# 1



YOU WILL NEED		
A		x10
B		x5
C		x2
I		x2

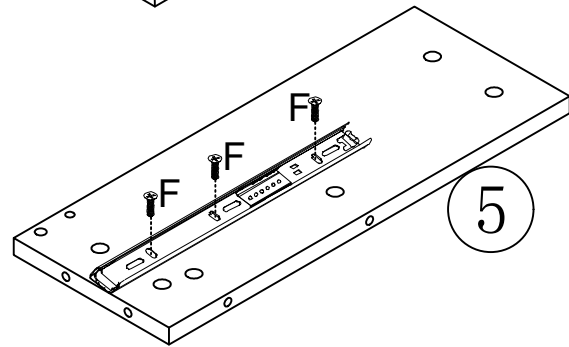
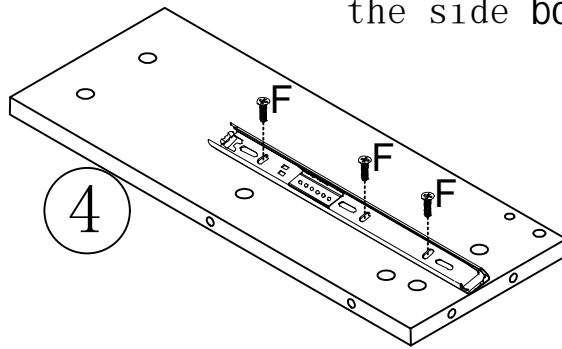
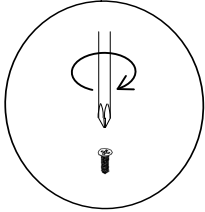
2

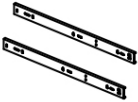



YOU WILL NEED		
A		x10
B		x2
C		x4
I		x2

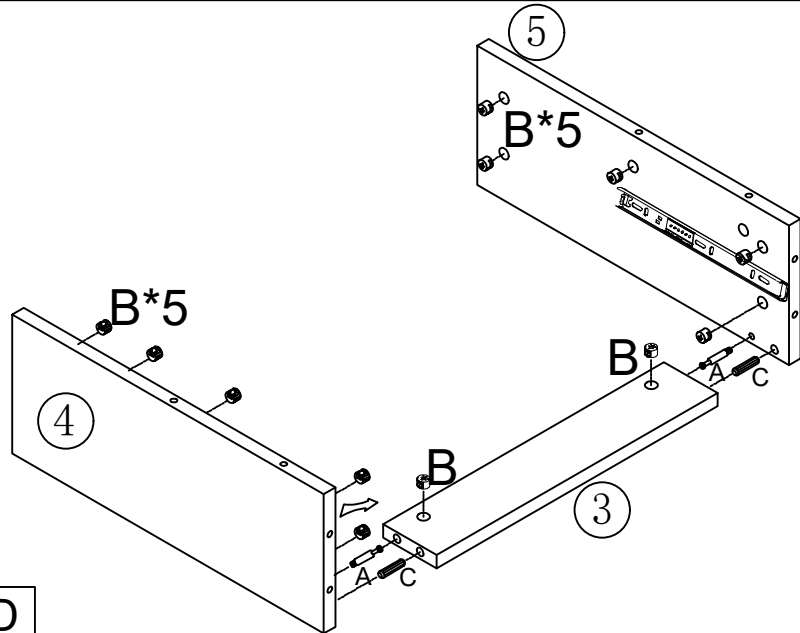
3




Lock the outer rail onto the side board.

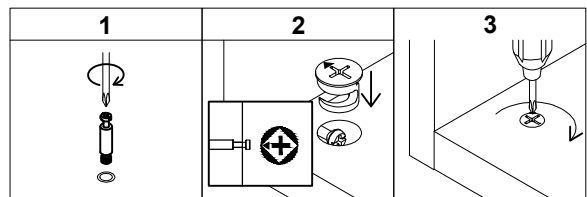


YOU WILL NEED		
E		x2
F		x6

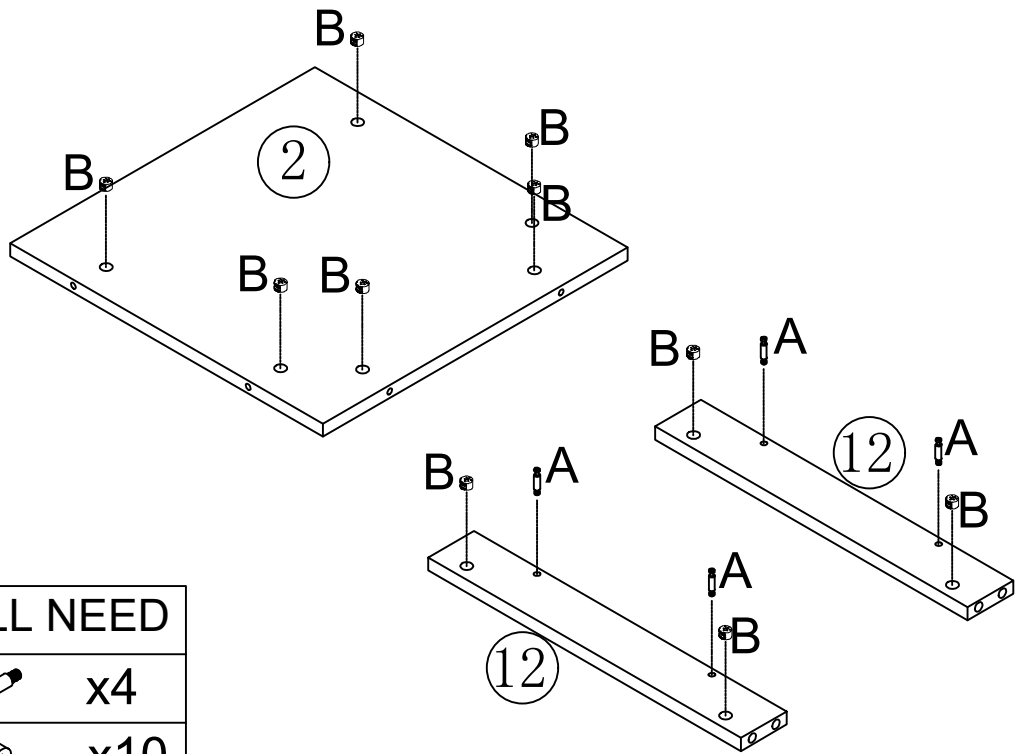
4





YOU WILL NEED		
A		x2
B		x14
C		x2

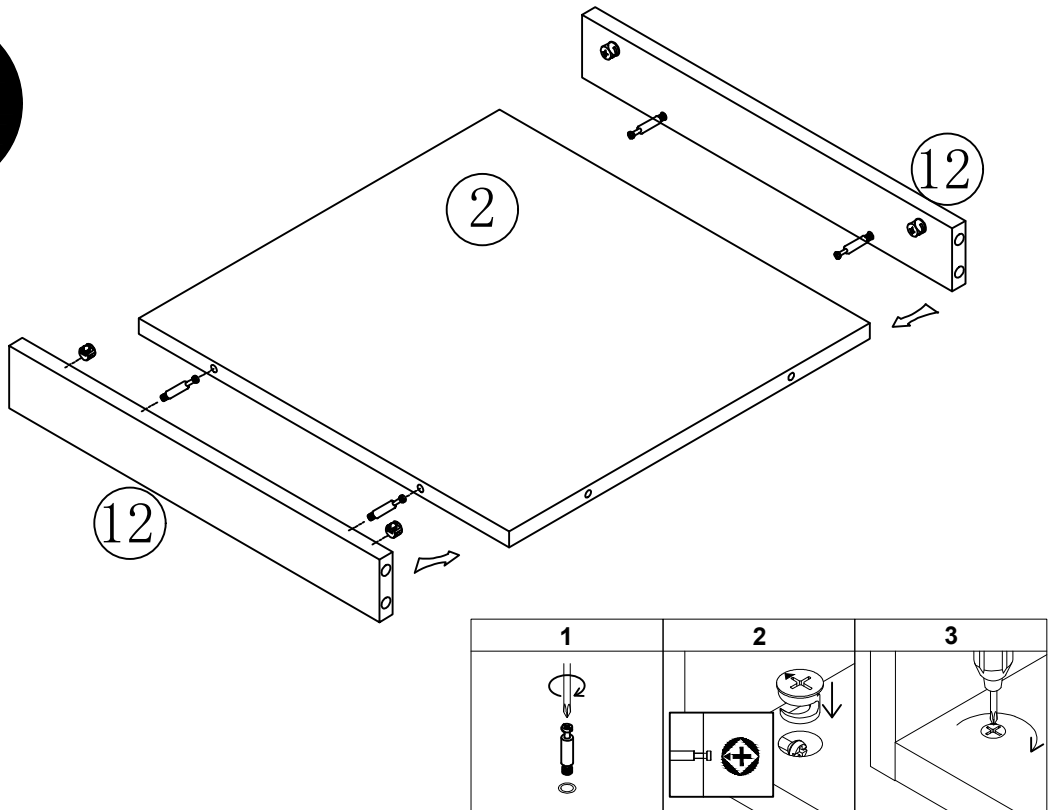


5

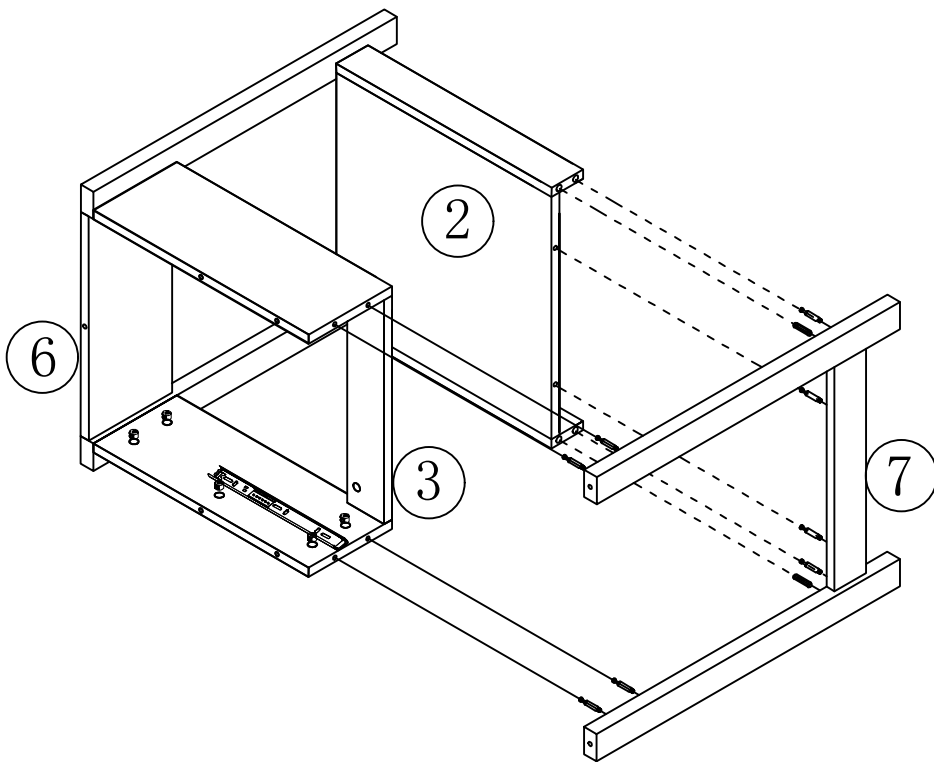
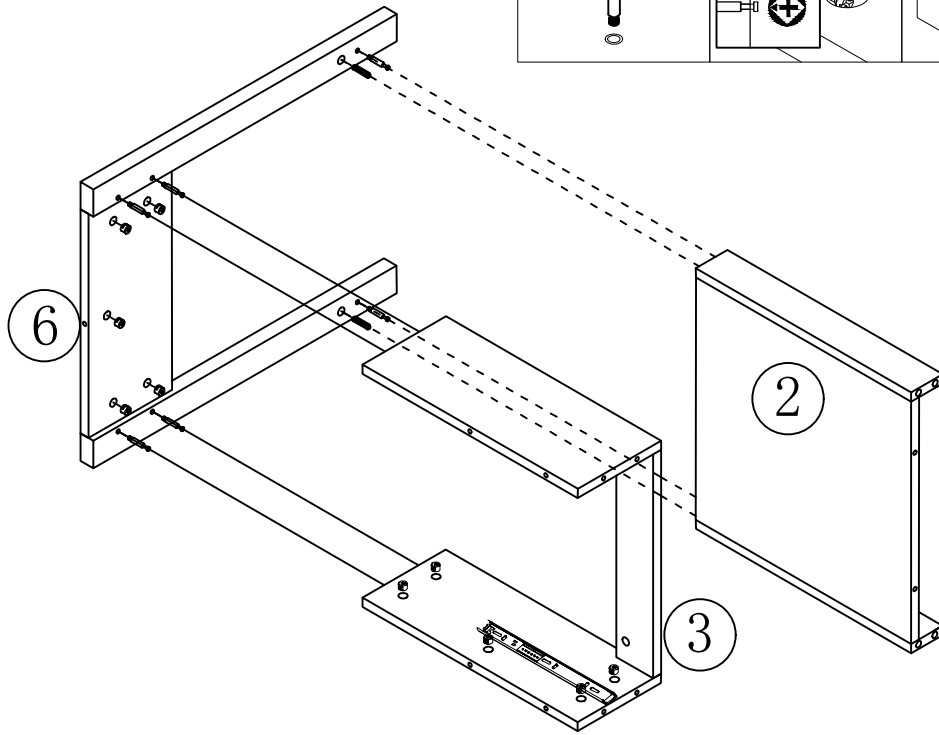
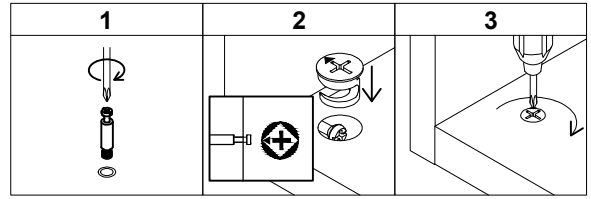


YOU WILL NEED		
A		x4
B		x10

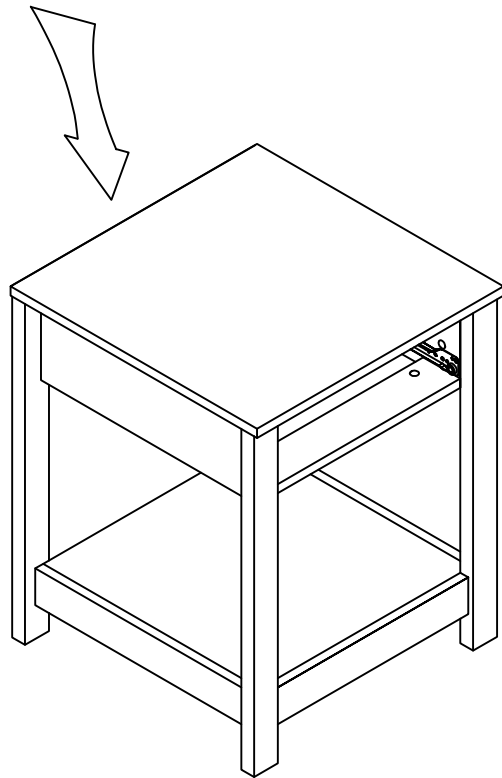
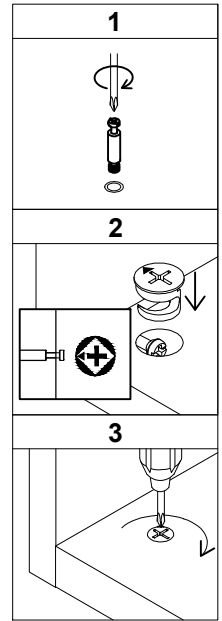
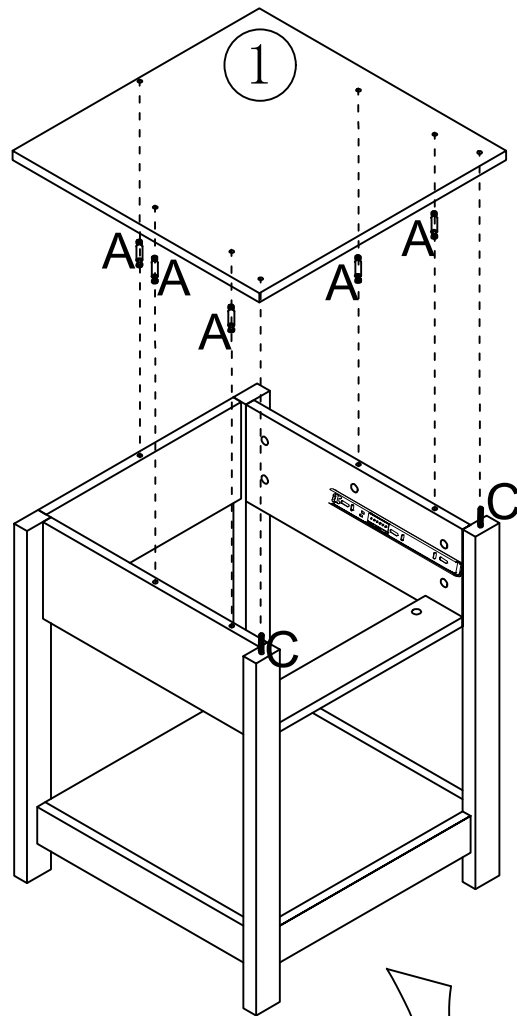
6





7

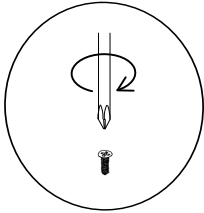


8

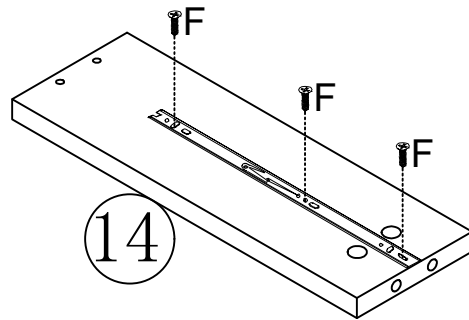
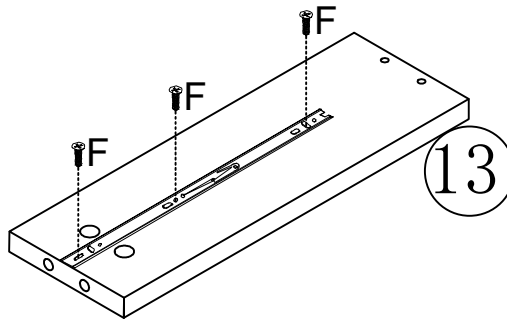




YOU WILL NEED		
A		x5
C		x2

# 9

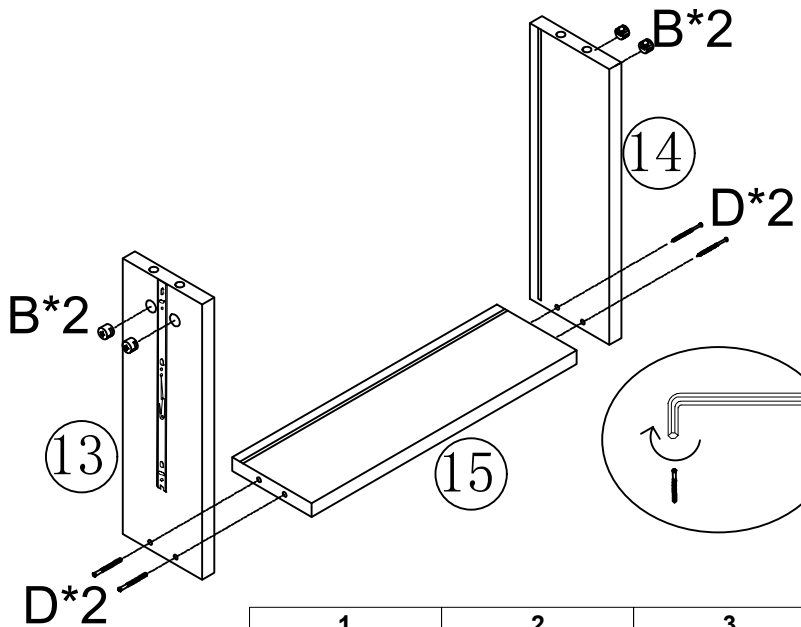





Lock the inner rail onto the drawer side panel.

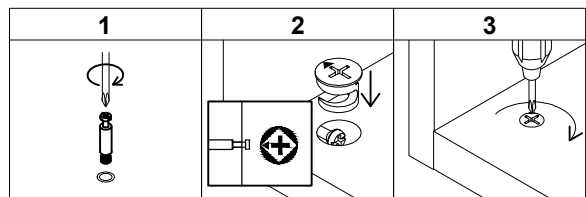


YOU WILL NEED		
E		x2
F		x6

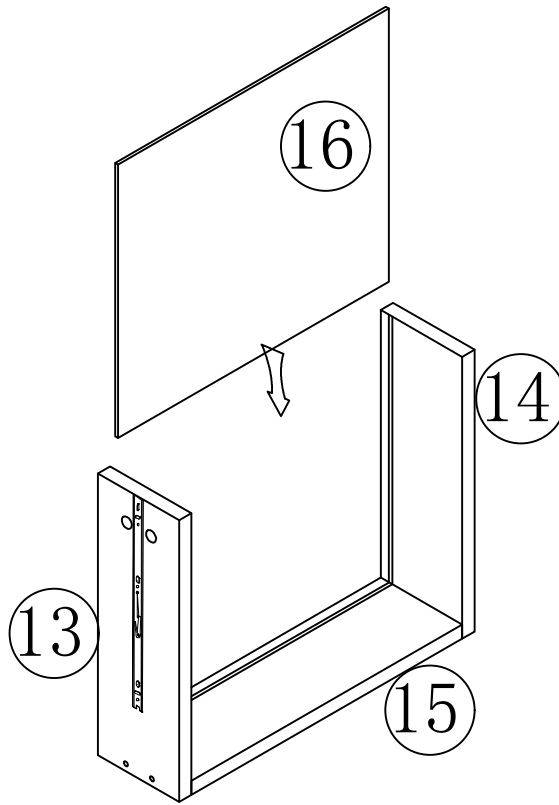
# 10



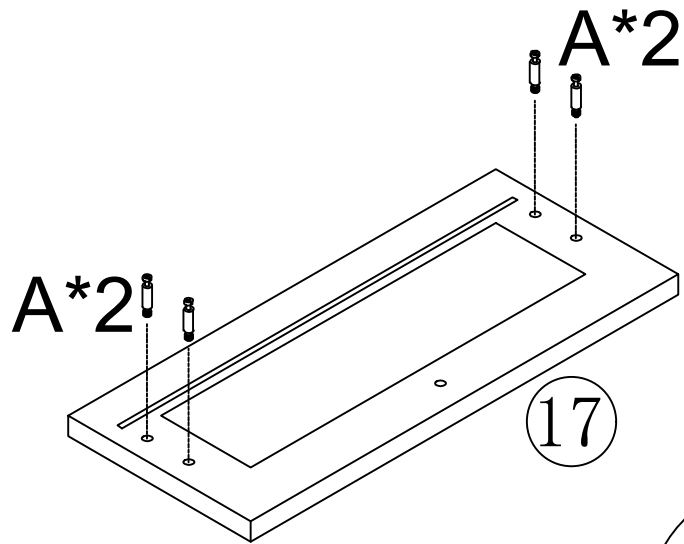
YOU WILL NEED		
B		x4
D		x4
G		x1




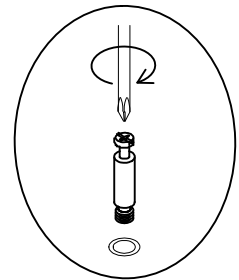
11



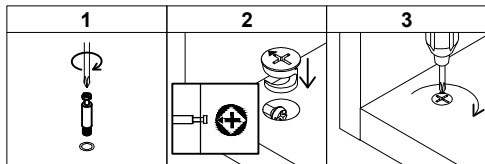
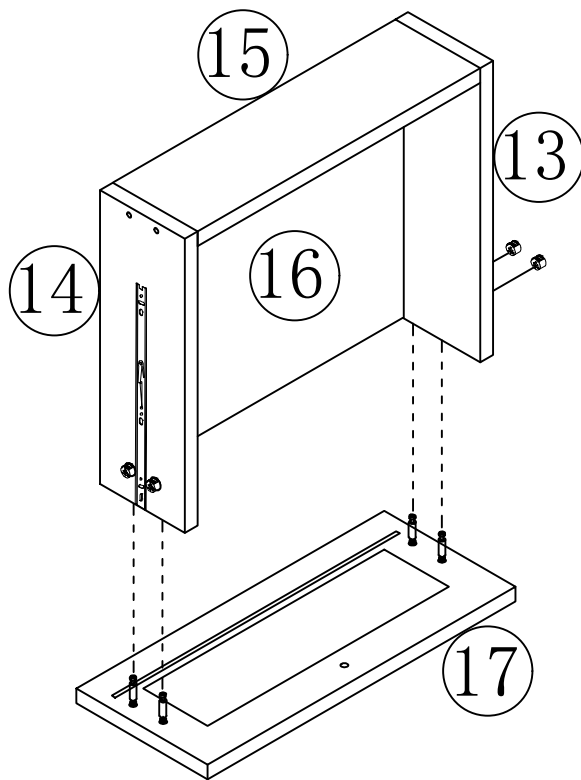
12



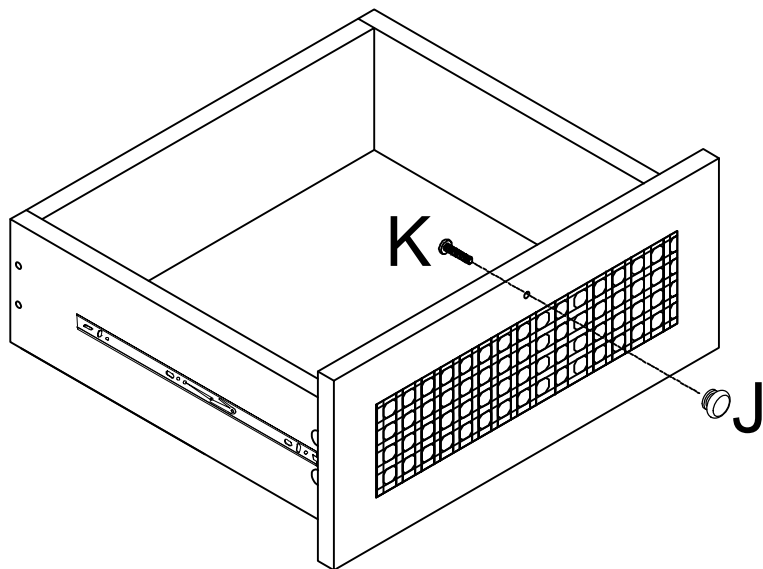
YOU WILL NEED		
A		x4





# 13

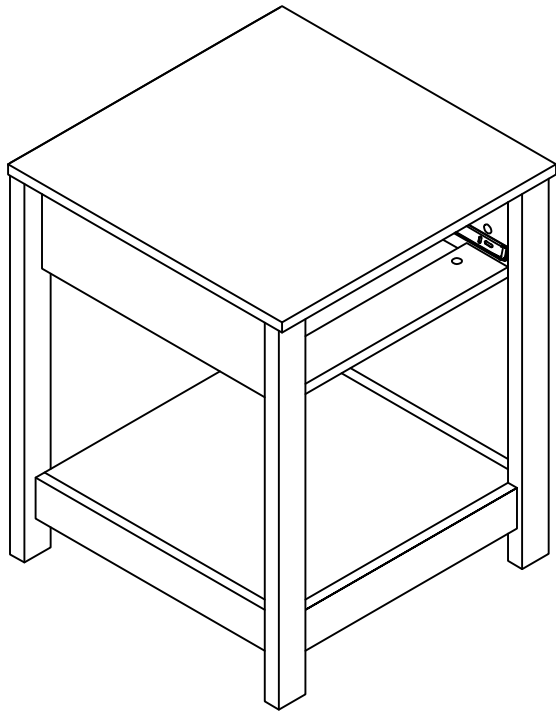


# 14



YOU WILL NEED			
J		x1	
K		x1	

15



Align the inner and outer rails of the slide rail and push it forward

