

NOTICE

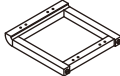

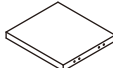


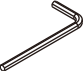

- * Please make sure that you have all parts indicated and they are in good condition before you begin assembly of this item. Refer to part list and hardware list below for guidance.
- * This item should be assembled on a soft surface to prevent scratching the finish during assembly.
- * This item may require periodic tightening.
- * If you are having difficulty, our friendly Customer Care team is always here to help. Please email

PREPARATION

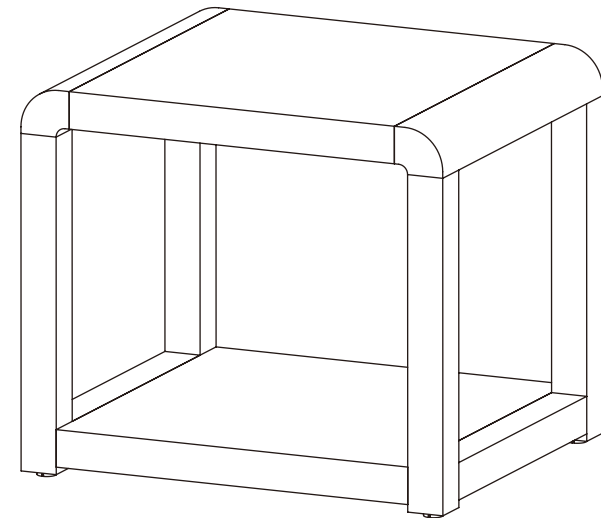
- * Before beginning assembly of product, make sure all parts are present. Compare parts with part contents list and hardware contents list.
- * If any part is missing or damaged, do not attempt to assemble the product.
- * Estimated Assembly Time: 15 minutes.
- * Tools Required for Assembly (included): Allen key.

CARE AND MAINTENANCE

* Always use felt pads under all articles to prevent discoloration or softening of the lacquer. Plastic and rubber bases on items can discolor wood. Wipe up spills immediately and avoid common hazards such as hot dishes, harsh solvents and abrasives. Cleaning should be done with a soft lint free cotton cloth dampened with water or furniture polish. On highly used surfaces we recommend applying a quality paste wax which should be used on a regular basis to provide additional protection from scratches and spills. How often you apply the wax depends on how much wear the furniture receives.

Part List and Hardware List			
PIECE	DESCRIPTION	PICTURE	QUANTITY
A	Leg		2X
B	Top		1X
C	Shelf		1X
HW1	Bolt(M8x0.5x35MM)		8X
HW2	Flat Washer		8X
HW3	Allen key		1X
HW4	Wood Dowel		8X

Product Dimensions: 19.81"W X19.81"D X 19.81"H

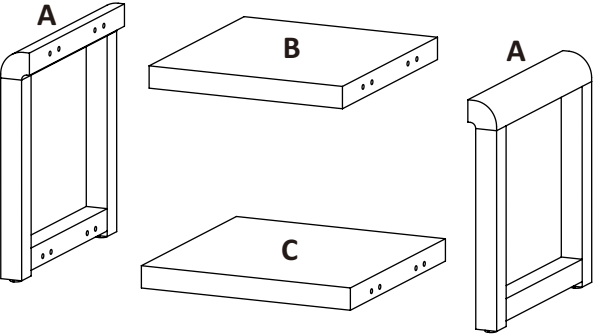
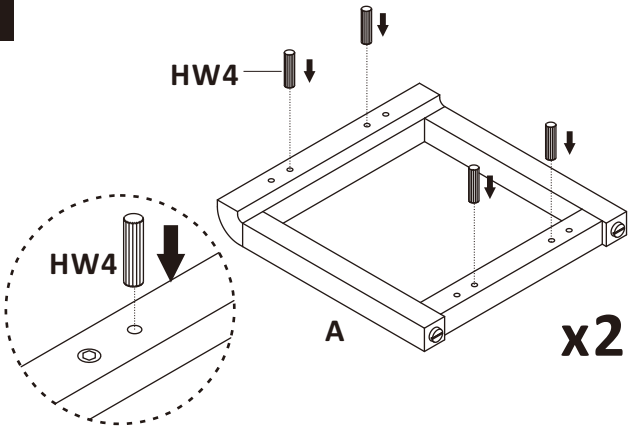
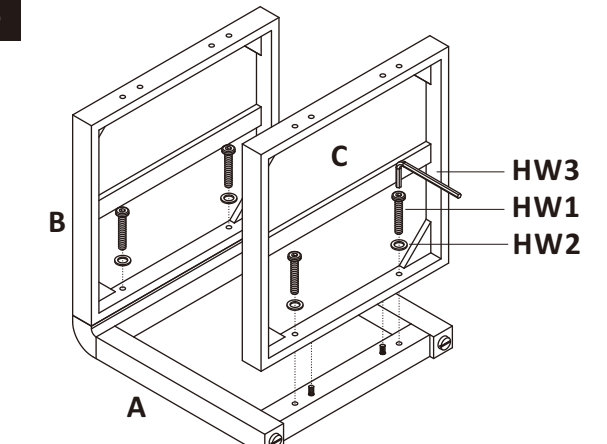
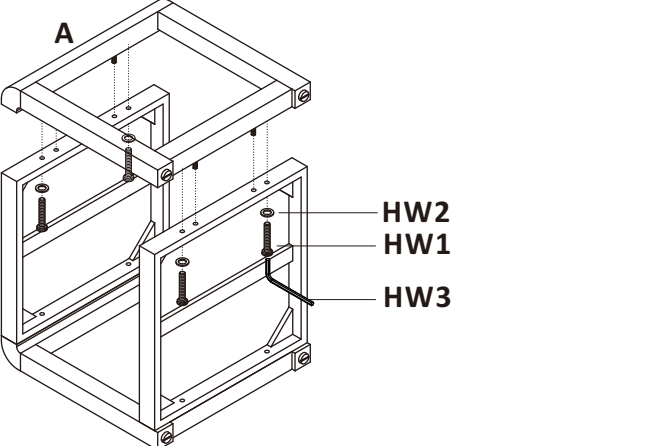
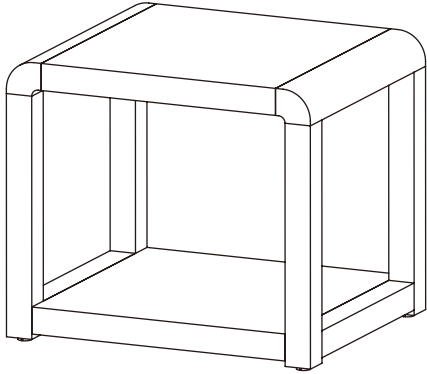


WARNING

Weight Capacity -20 lbs of each shelf.
Warning: Do not stand on product.
Warning: Do not over torque bolts.

PREPARATION

- * Before beginning assembly of product, make sure all parts are present. Compare parts with part contents list and hardware contents list.
- * If any part is missing or damaged, do not attempt to assemble the product.
- * Estimated Assembly Time: 15 minutes.
- * Tools Required for Assembly (included): Allen Key.
- * If you are having difficulty, our friendly Customer Care team is always here to help.

<p>1</p>  <p>Diagram 1 shows three parts: two identical legs labeled 'A', and two shelves labeled 'B' and 'C'.</p>	<p>2</p>  <p>Diagram 2 shows the legs 'A' being joined. Wood dowels labeled 'HW4' are being inserted into pre-drilled holes in the legs. A circular inset provides a magnified view of a dowel being inserted into a hole. The text 'x2' indicates that this step is repeated for the second leg.</p>	<p>3</p>  <p>Diagram 3 shows one leg 'A' with shelves 'B' and 'C' attached. Hardware 'HW1' (bolts) and 'HW2' (washers) are used to secure the shelves to the leg. Hardware 'HW3' (brackets) are also shown attached to the leg.</p>
<p>Step1: Take all parts out.</p>	<p>Step2: Insert the wood dowels (HW4) into the hole of Legs</p>	<p>Step3: Attach Shelves and Top to one leg, use Allen Key to screw all bolts.</p>
<p>4</p>  <p>Diagram 4 shows the second leg 'A' being attached to the other side of the shelves and top, mirroring the process in Step 3. Hardware 'HW1', 'HW2', and 'HW3' are labeled.</p>	<p>5</p>  <p>Diagram 5 shows the final assembled table, which is a square table with a flat top and four legs.</p>	
<p>Step4: Repeat the Step 3 for another leg</p>	<p>Step5: Tighten all bolts, lay the table flat.</p>	