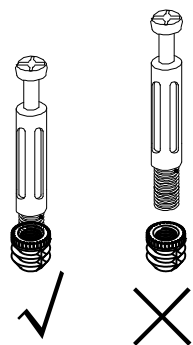


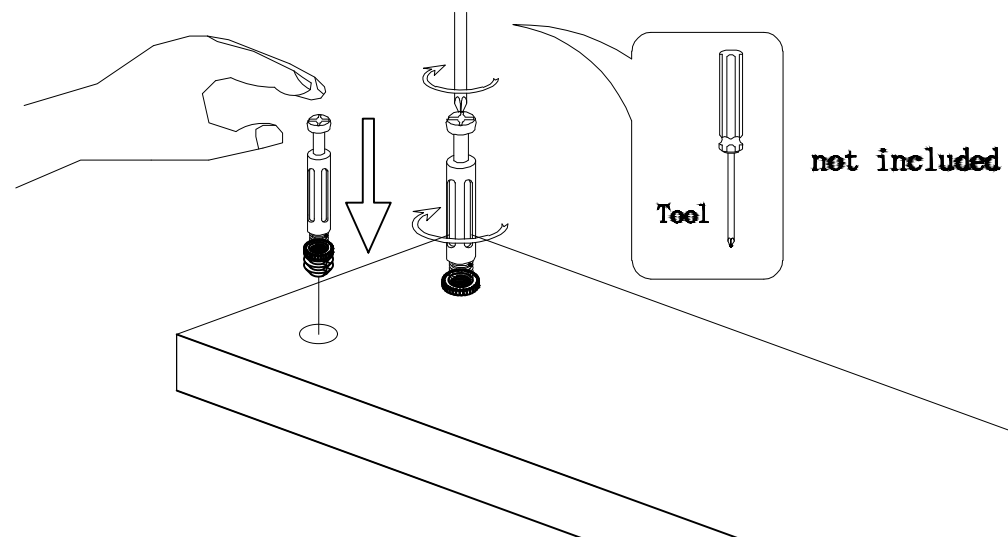
"A" Hardware installation example

I

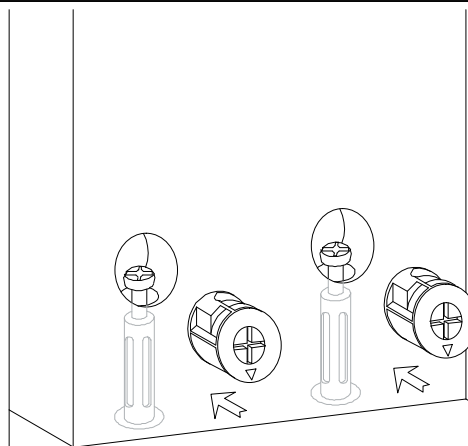


This part cannot be separated,
please install in strict
accordance with the assembly
requirements

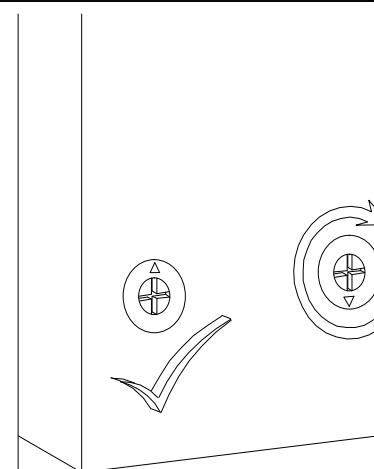
II

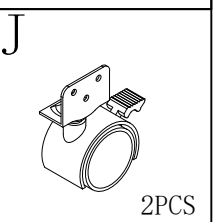
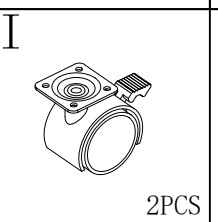
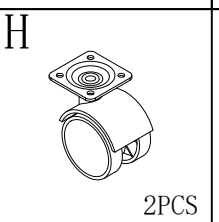
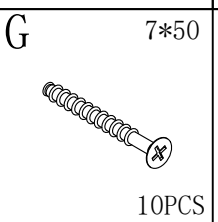
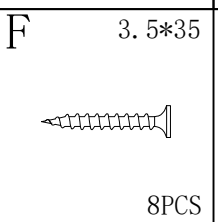
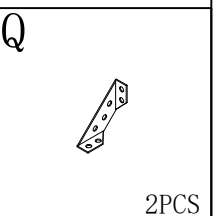
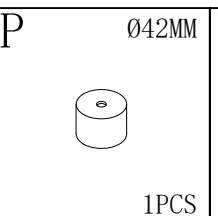
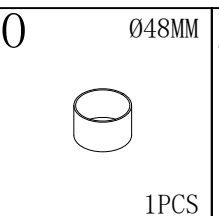
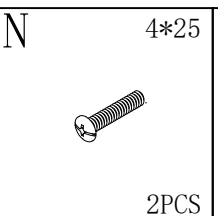
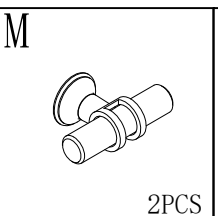
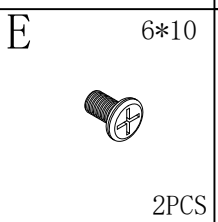
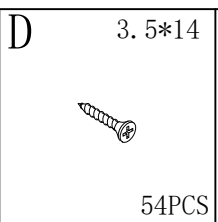
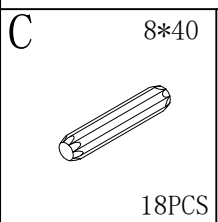
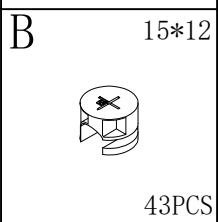
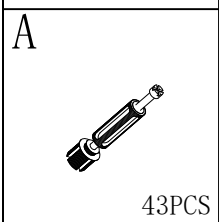
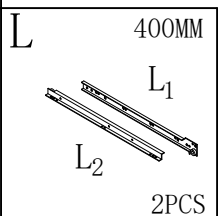
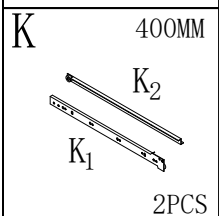
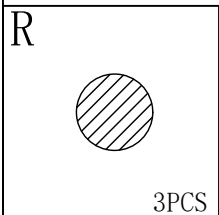
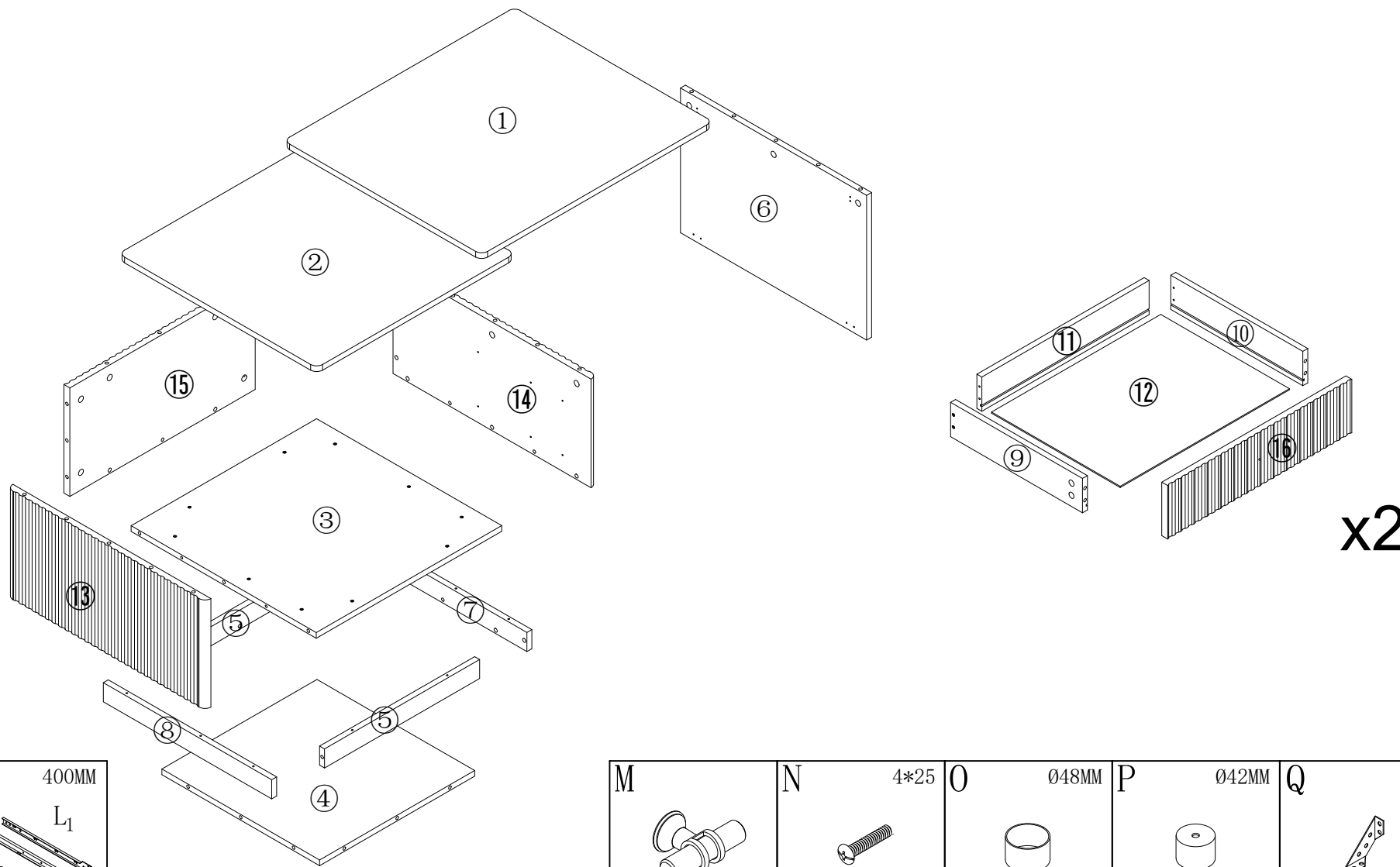


III

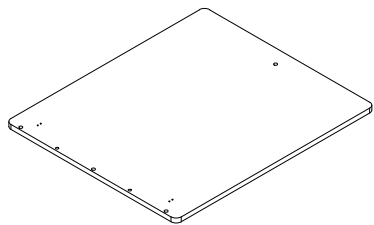


IV



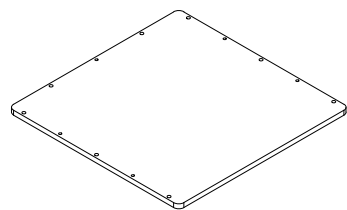


1



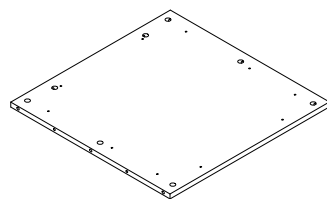
700*600 1PS

2



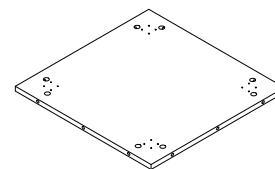
600*600 1PS

3



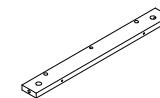
562*561 1PS

4



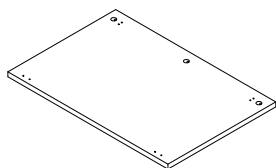
470*478 1PS

5



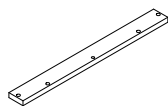
470*50 2PS

6



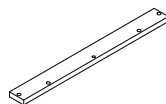
380*564 1PS

7



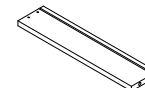
510*50 1PS

8



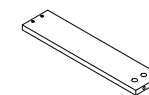
510*50 1PS

9



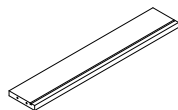
400*90 2PS

10



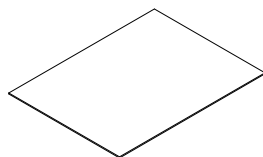
400*90 2PS

11



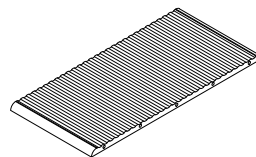
507*90 2PS

12



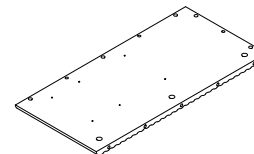
517*394 2PS

13



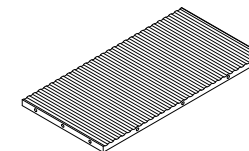
285*600 1PS

14



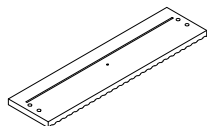
285*600 1PS

15



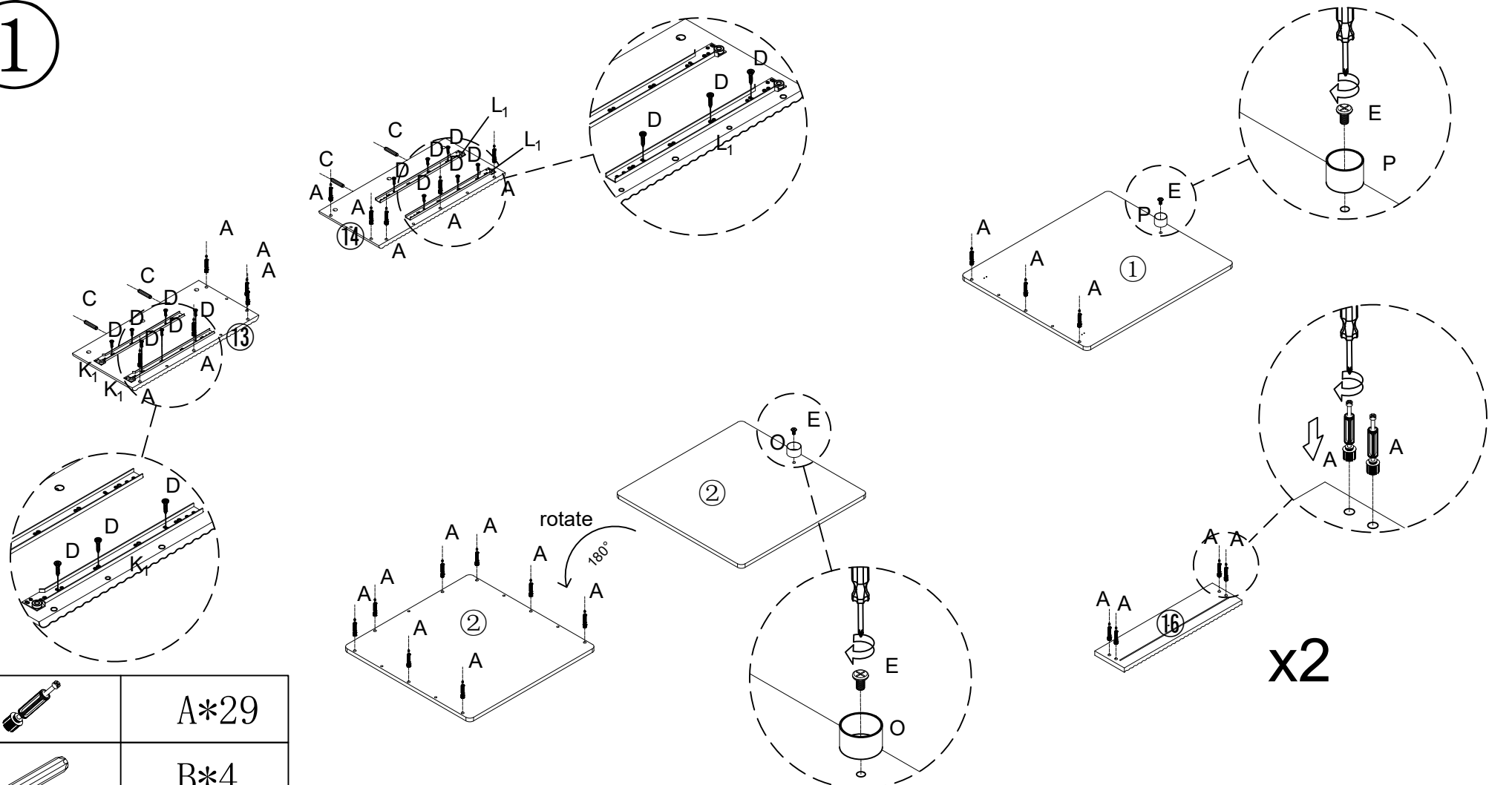
562*285 1PS

16



558*140.5 2PS

1

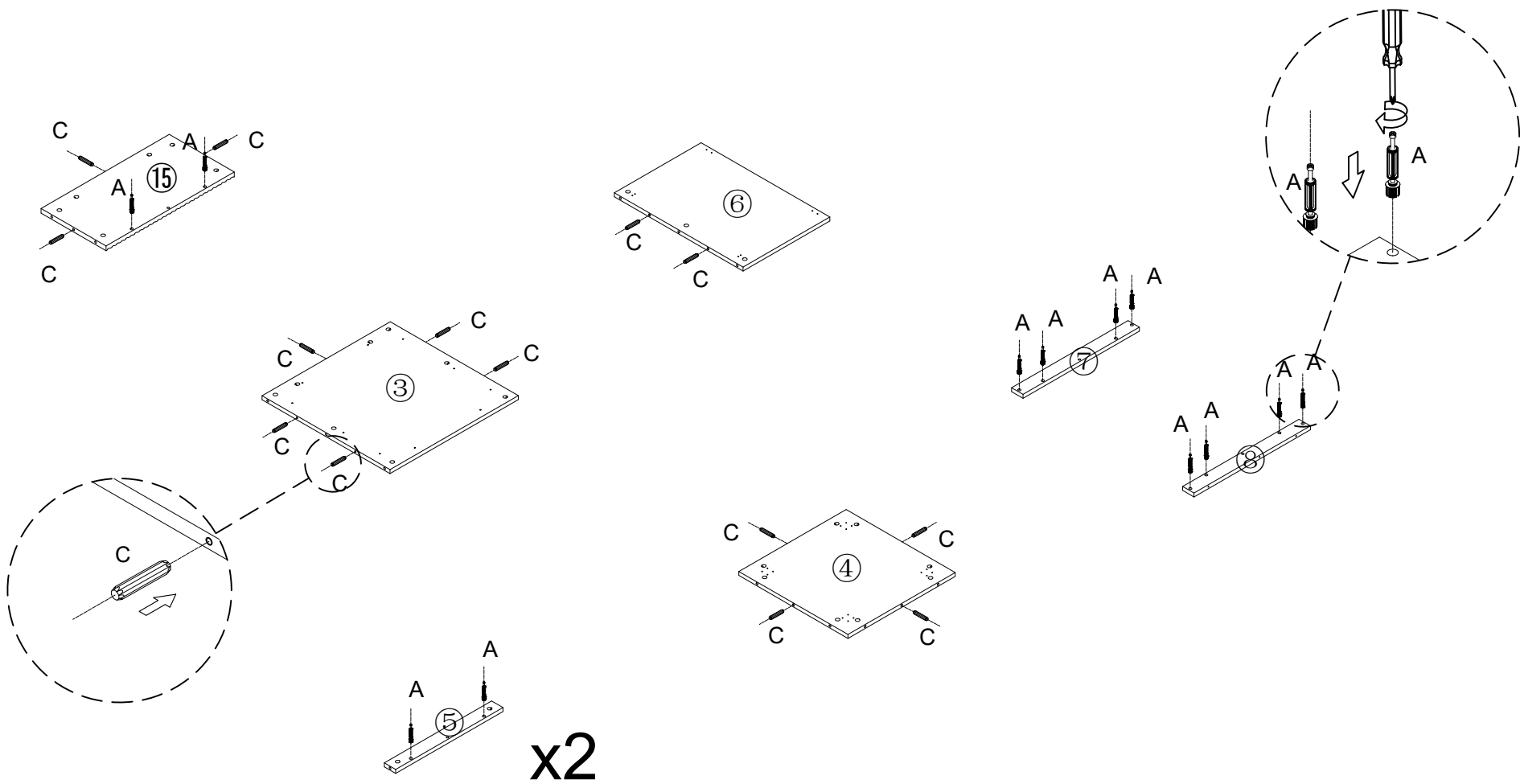



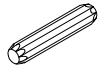
	A*29		
	B*4		
	D*12		
	E*2		
	K ₁ *2		O*1
	L ₁ *2		P*1

put A on board ① ② ⑬ ⑭ ⑯
 put B on board ⑬ ⑭
 put D K₁ L₁ on board ⑬ ⑭
 put E O on board ②
 put E P on board ①

x2

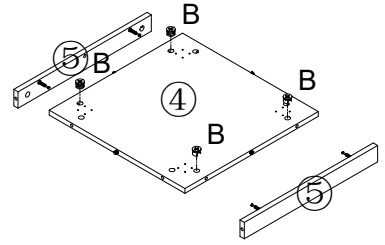
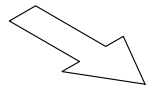
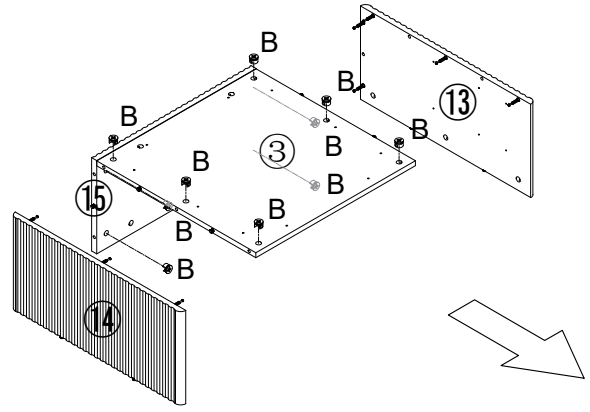
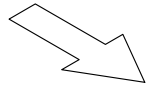
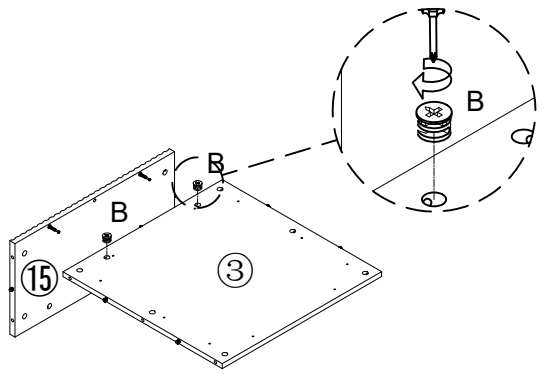
2



	A*14
	C*14

put A on board ⑤ ⑦ ⑧ ⑮
put C on board ③ ④ ⑥ ⑮

3

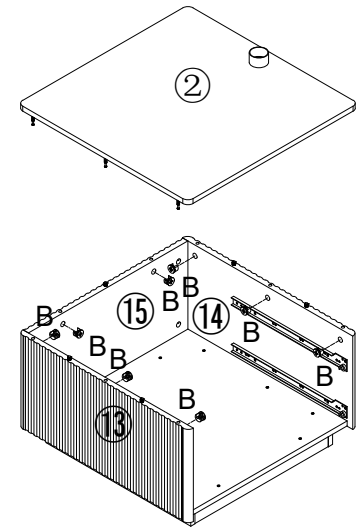
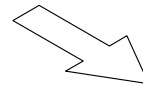
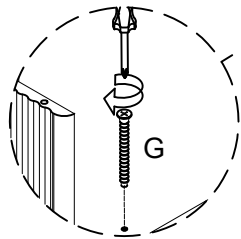
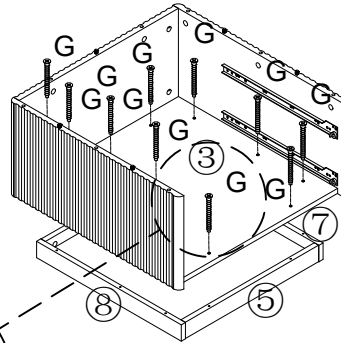
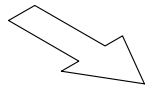
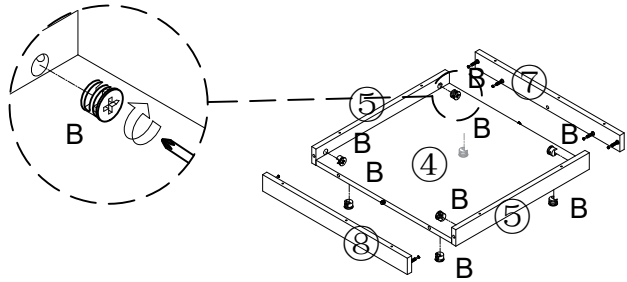


Make sure the arrow on the screw align to the hole on the side.

put B on board 3 4 15

	B*16
--	------

4



Make sure the arrow on the screw align to the hole on the side.
put B on board ④ ⑤ ⑬ ⑭ ⑮
put G on board ③

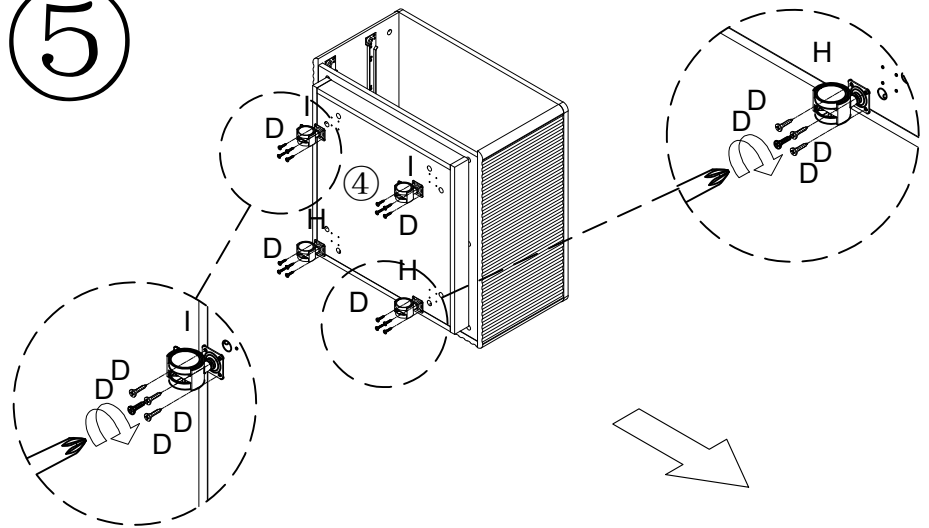


B*16

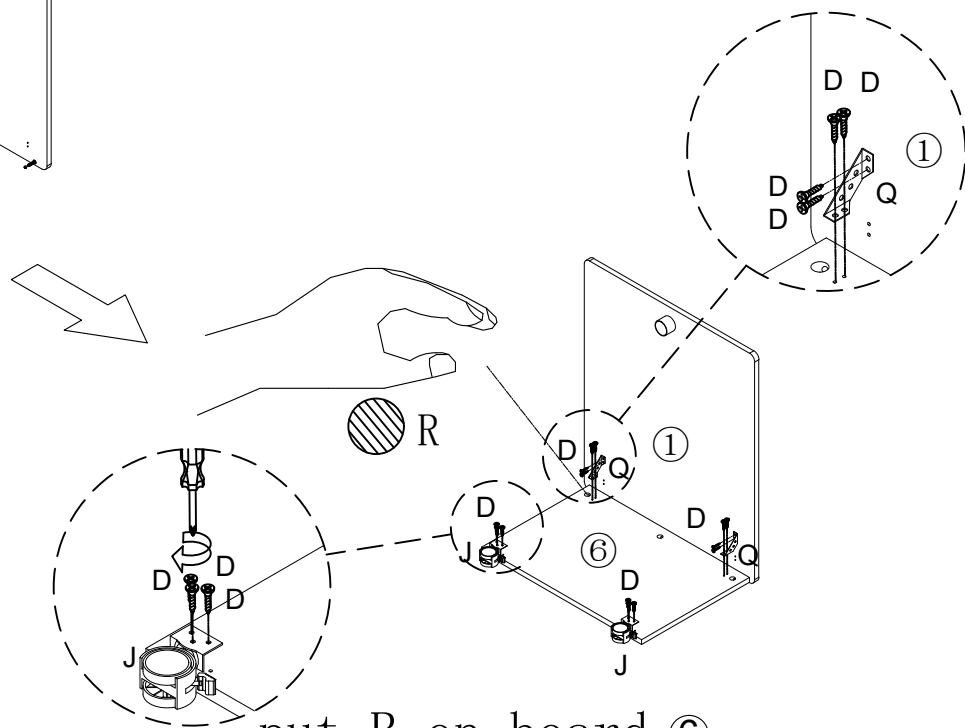
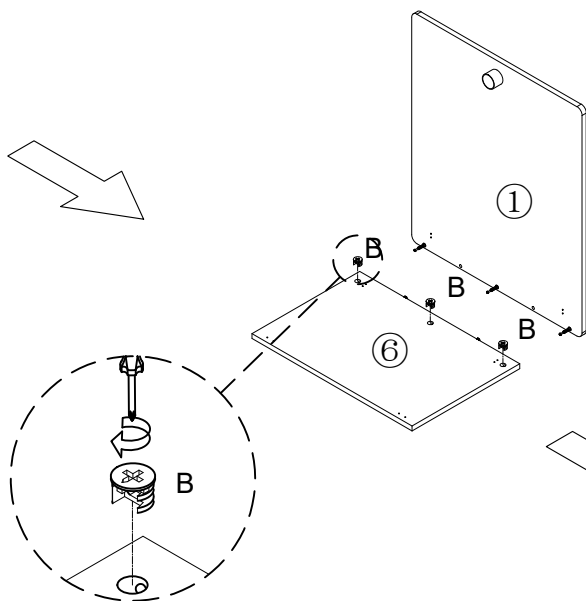







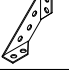

G*10

5



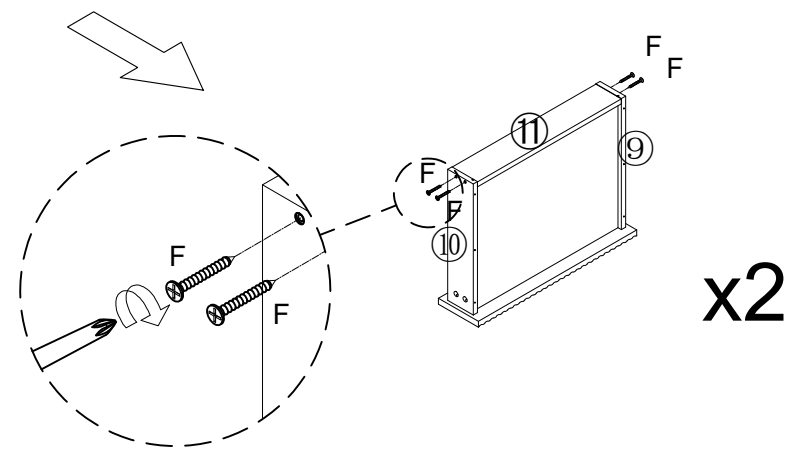
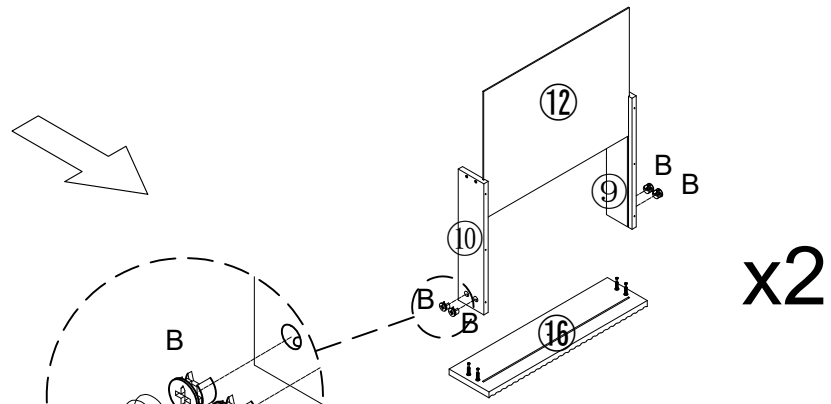
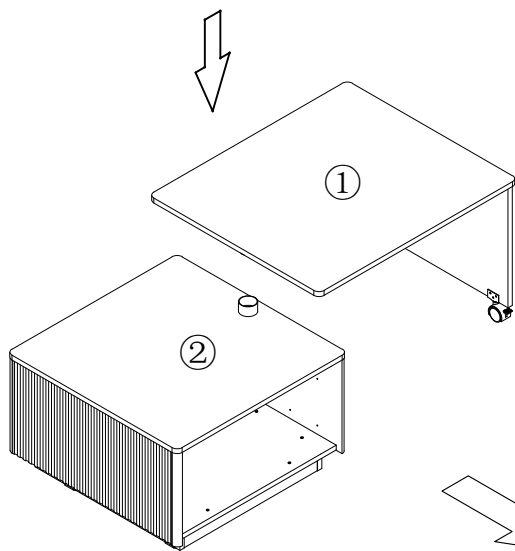
Make sure the arrow on the screw align to the hole on the side.



	B*3
	D*30
	H*2
	I*2
	J*2
	Q*2
	R*2

put B on board ⑥
 put D I H on board ④
 put D J on board ⑥
 put D Q on board ①⑥


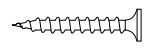
6



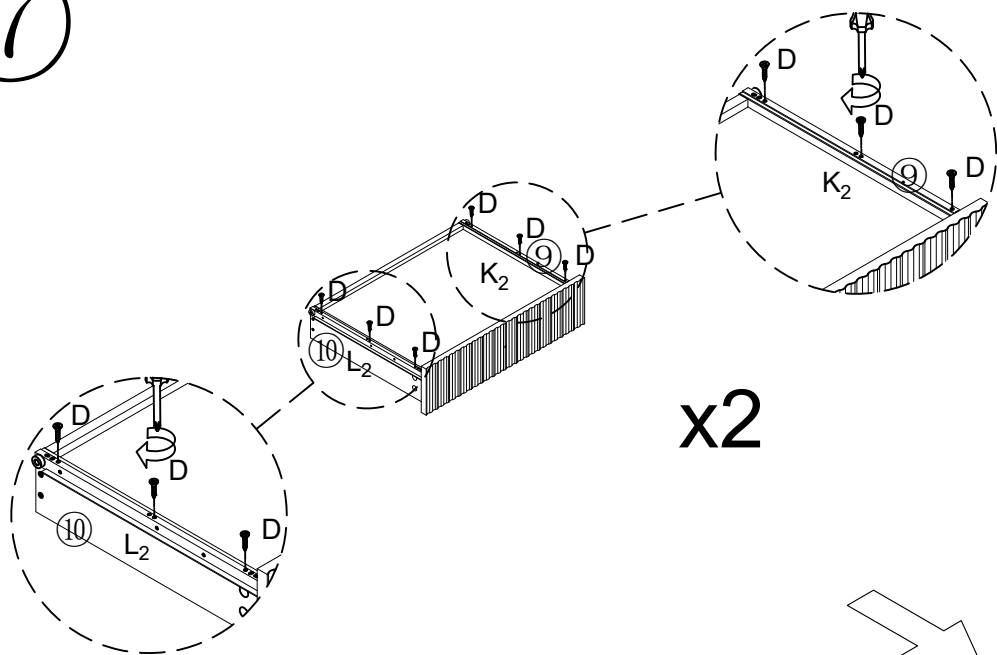
Make sure the arrow on the screw align to the hole on the side.

put B on board 9 10

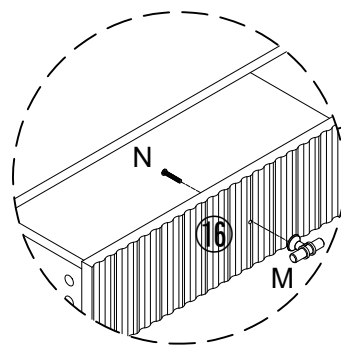
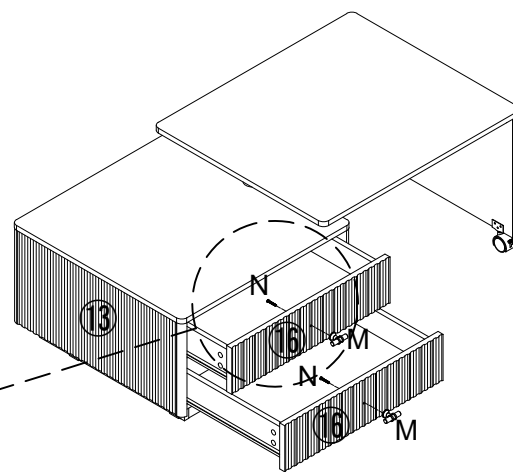
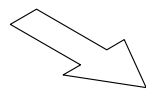
put F on board 9 10

	B*8
	F*8






7



x2



put D K₂ L₂ on board ⑨ ⑩
 put M N on board ⑯

	D*12
	K ₂ *2
	L ₂ *2
	M*2
	N*2

8

