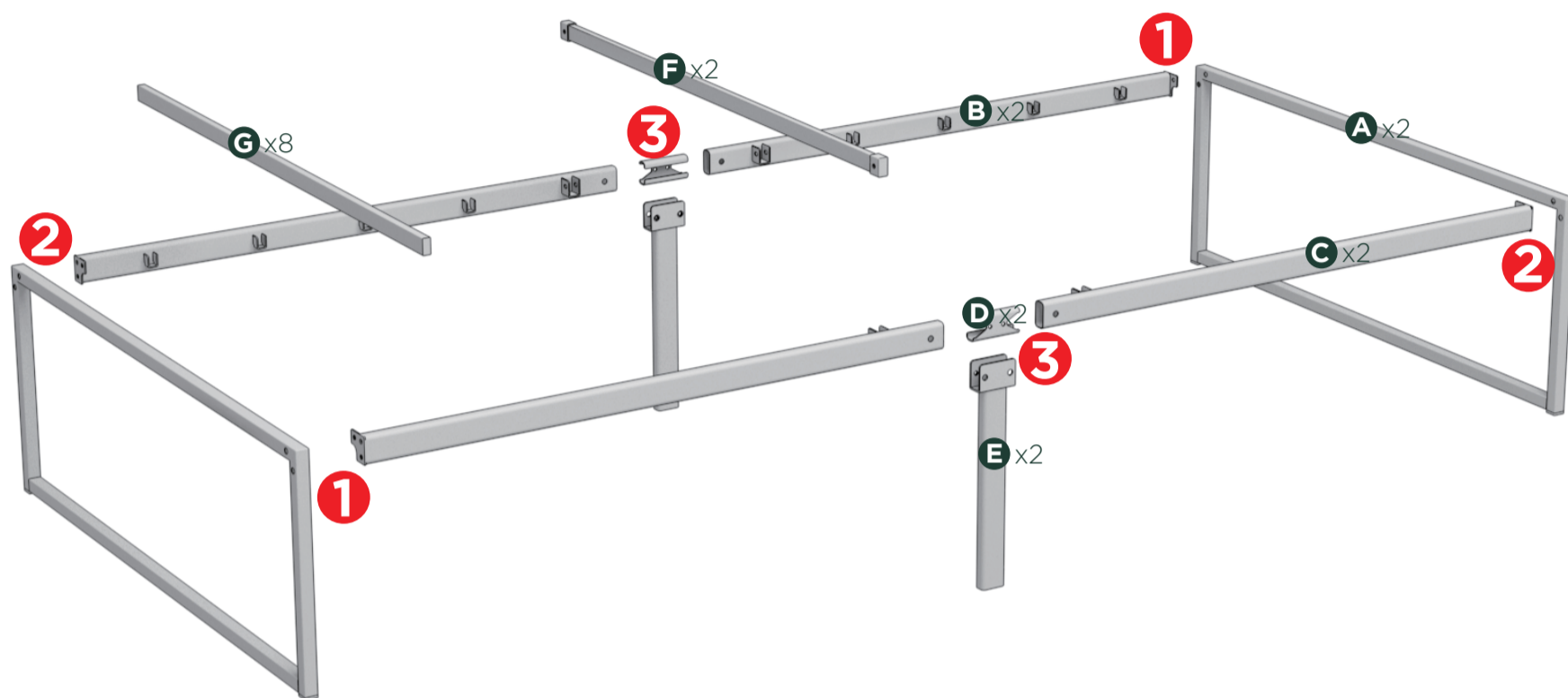
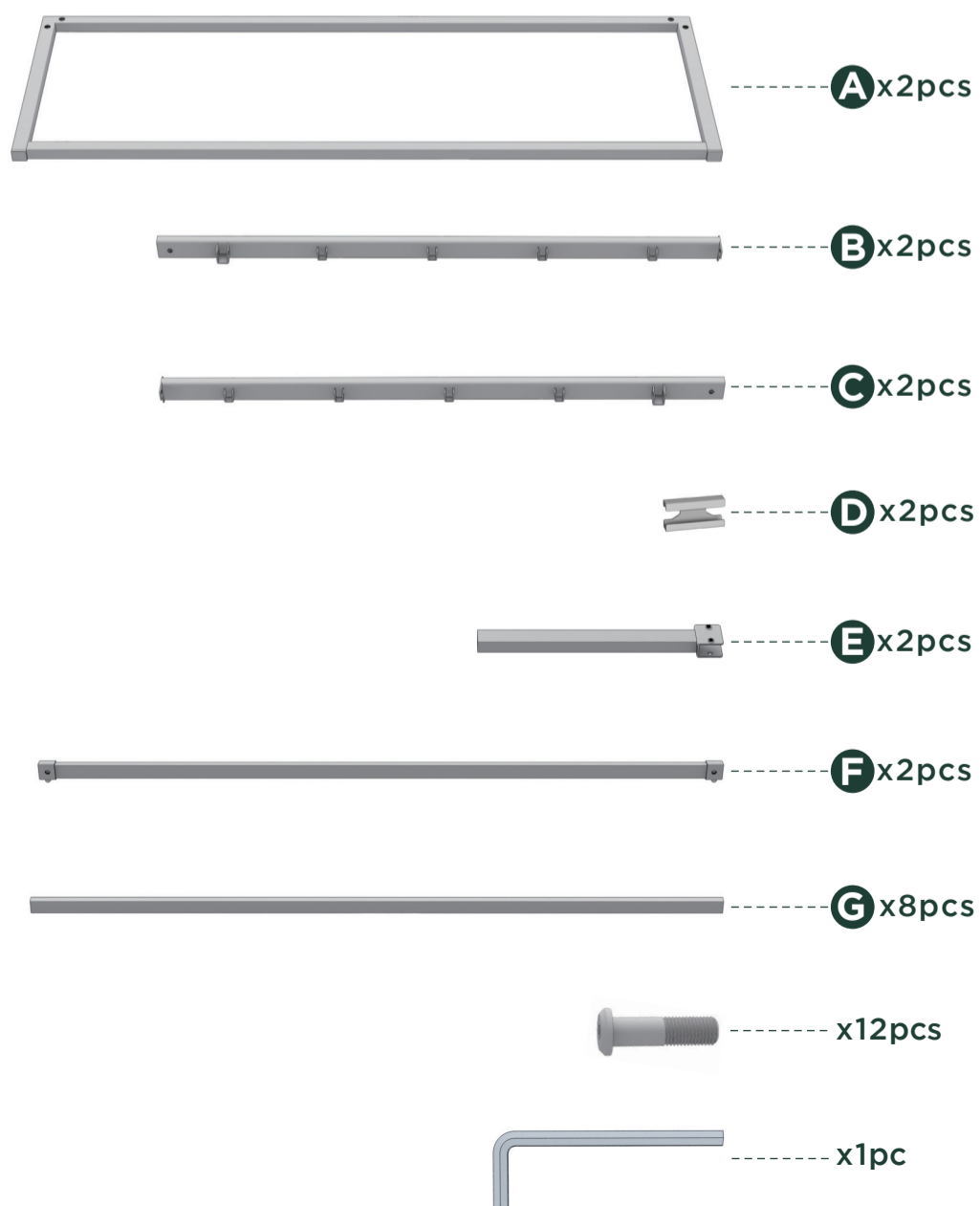


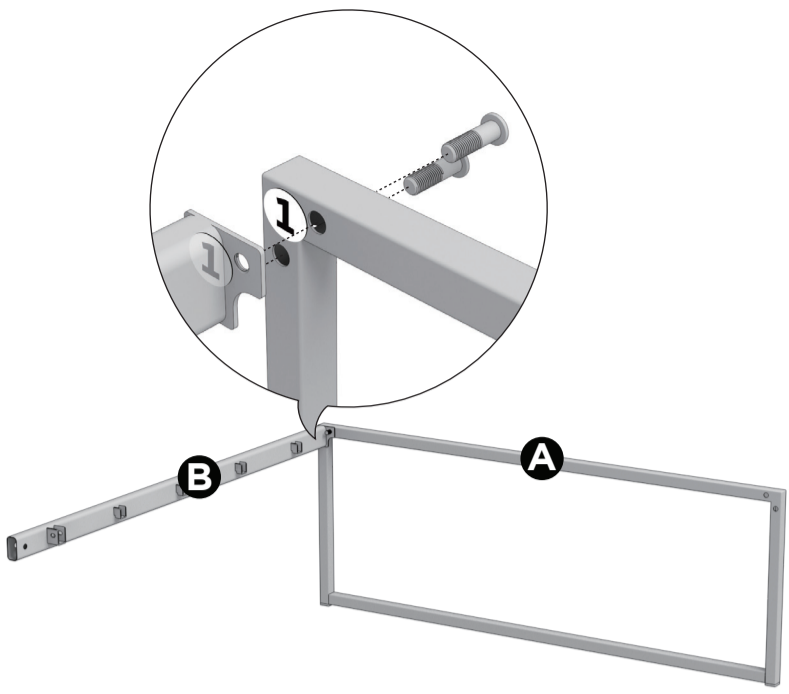
# Assembly Instruction



## Components

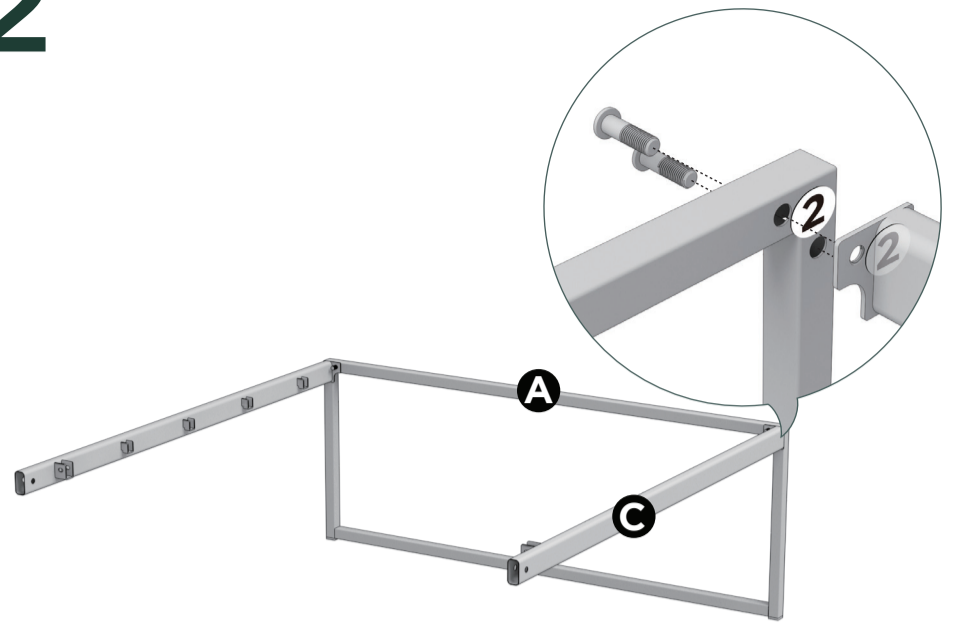


1



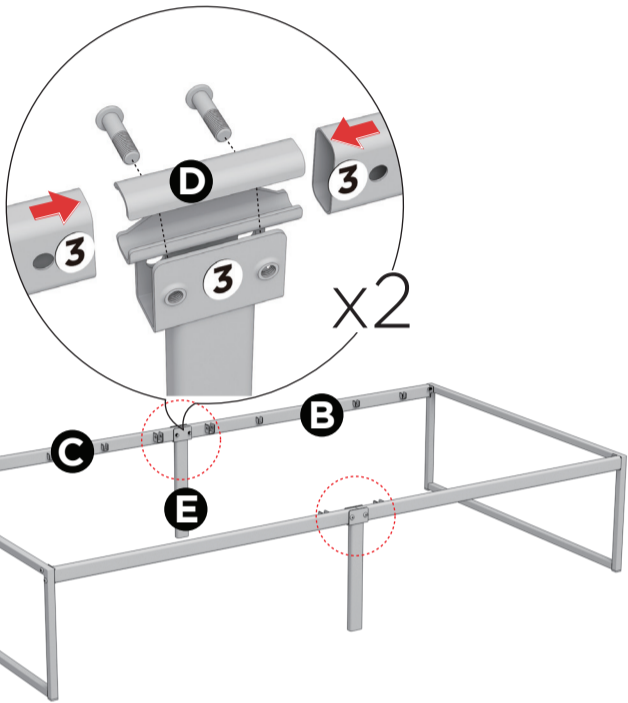
x2

2



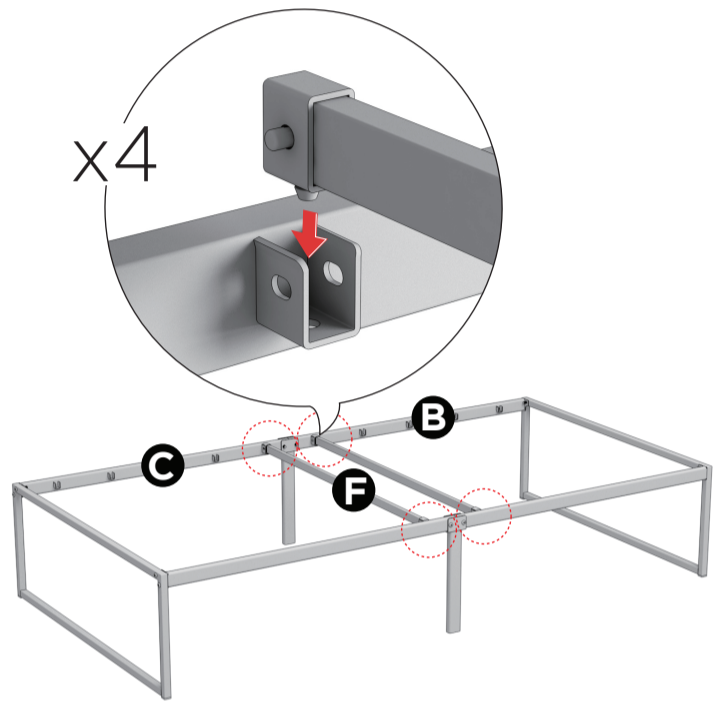
x2

3



x2

4



x4

5



G x8

6



7

