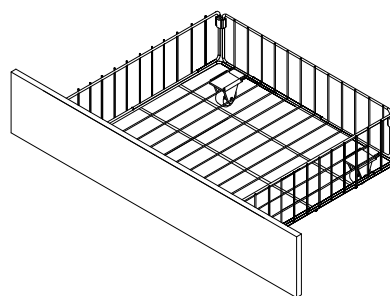
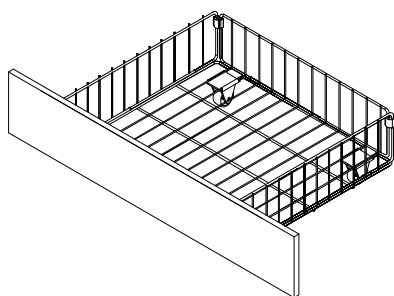
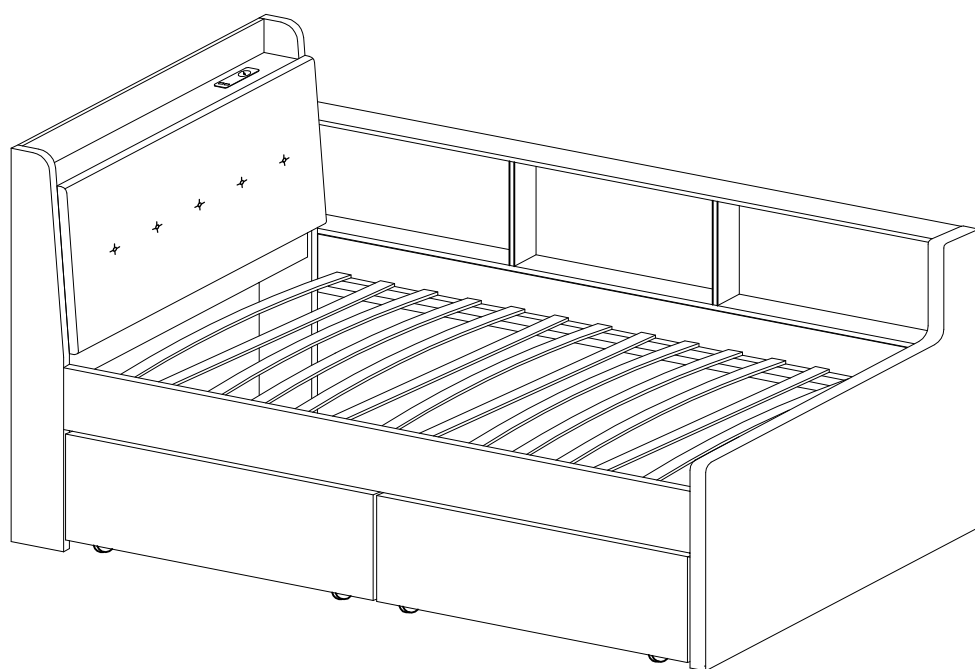
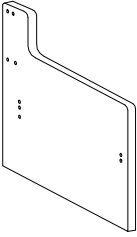

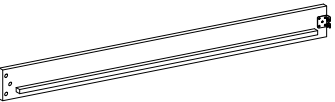
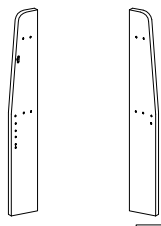

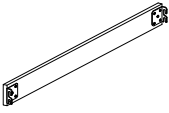


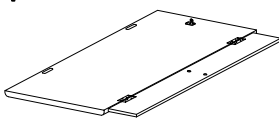



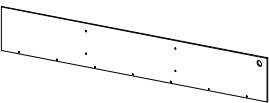
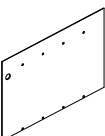
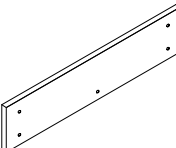
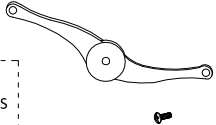
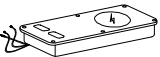
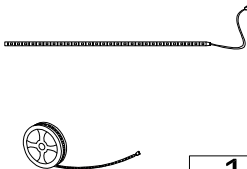
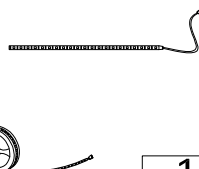
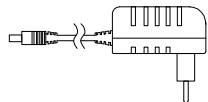
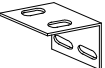
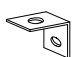
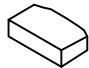
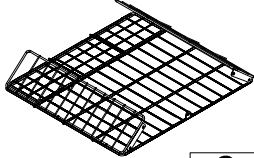
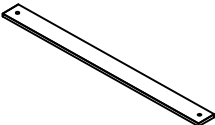
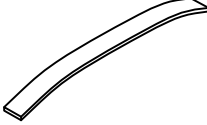
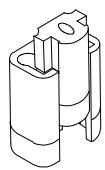
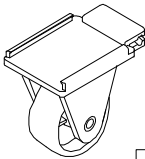


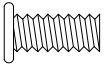
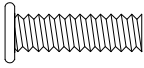
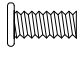


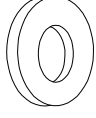

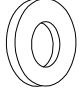
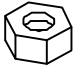




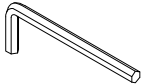

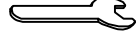
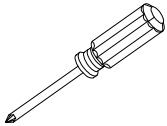
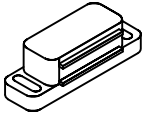
ASSEMBLY INSTRUCTION



PARTS LIST

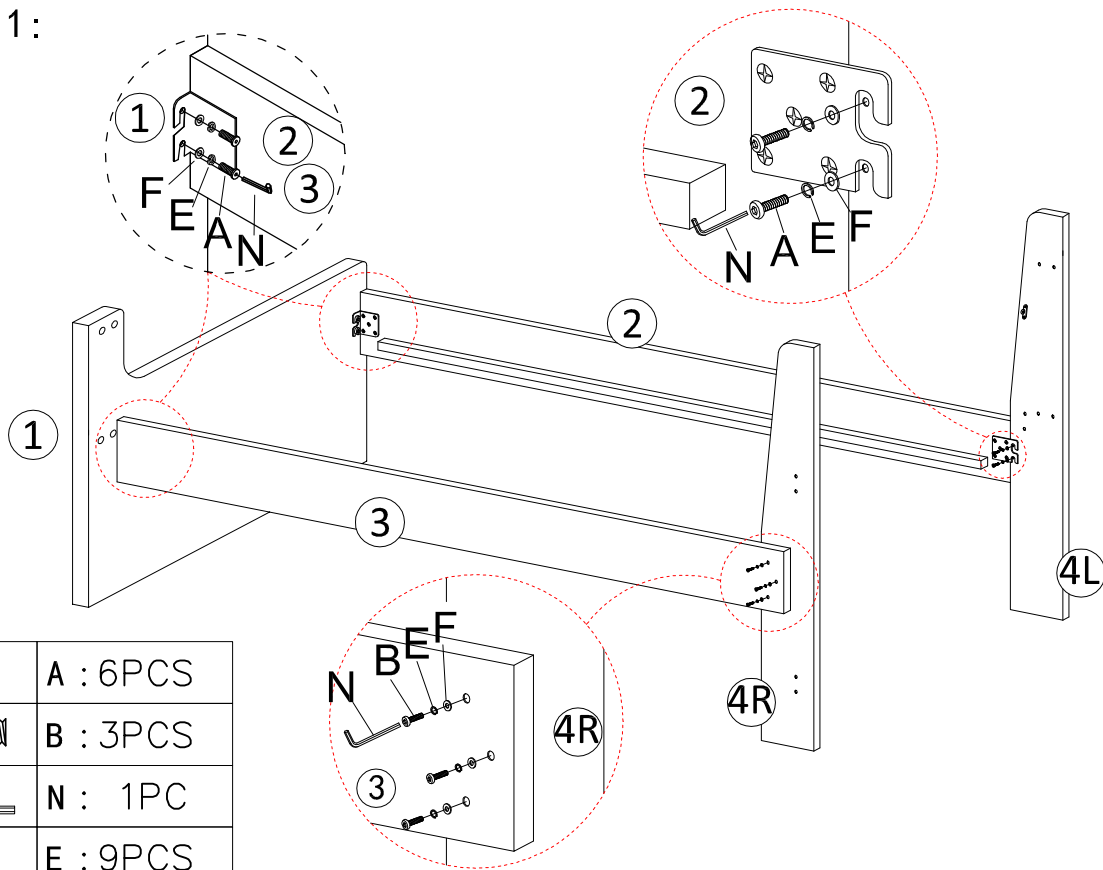
1:  1pc	2:  1pc	3:  1pc	4:  2pcs
5:  1pc	6:  1pc	7:  1pc	8:  1pc
9:  1pc	10:  1pc	11:  1pc	12:  2pcs
13:  1pc	14:  1pc	15:  2pcs	16:  1SET <small>16-1:2PCS</small>
17:  <small>17-1:6PCS</small> 1pc	18:  1pc	19:  1pc	20:  1pc
21:  8pcs	22:  1pc	23:  18pcs	24:  2pcs
25:  4pcs	26:  9pcs	27:  8pcs	28:  8pcs






HARDWARE LIST

 M8*20mm A: 14pcs	 M8*35mm B: 3pcs	 M6*15mm C:44pcs	 M6*70mm D: 8pcs
 M8 E: 17pcs	 M8*19mm F: 17pcs	 M6 G: 52+1pcs	 M6*16mm H: 52+1pcs
 M6 I: 8pcs	 J: 12pcs	 K: 12+1pcs	 8*30mm L: 19+1pcs
 M: 4pcs	 M8 N: 1pc	 M6 O: 1pc	 M6 P: 1pc
 Q: 1pc	 R: 2pcs		

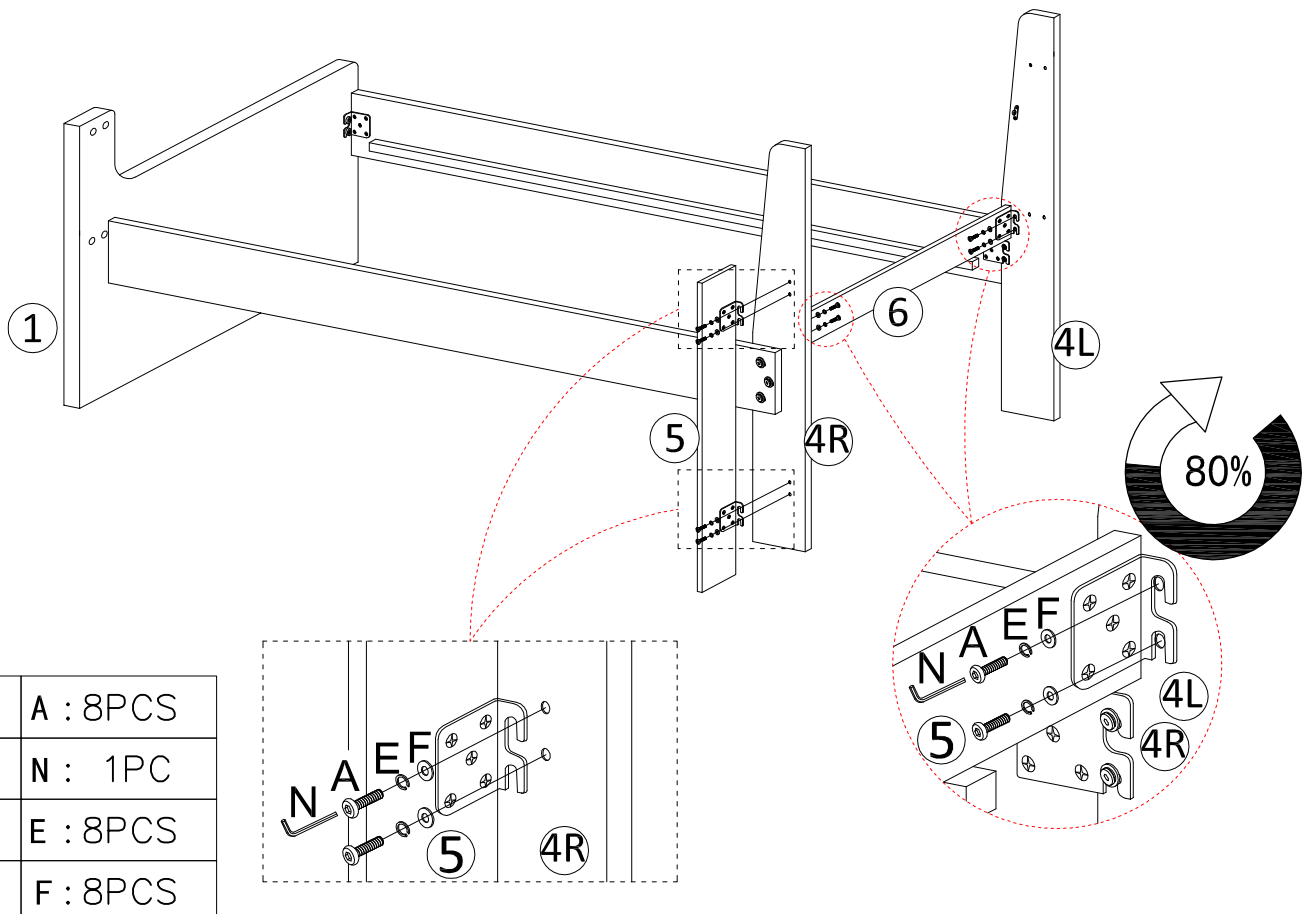
Assembly Steps





STEP 1:



	A : 6PCS
	B : 3PCS
	N : 1PC
	E : 9PCS
	F : 9PCS

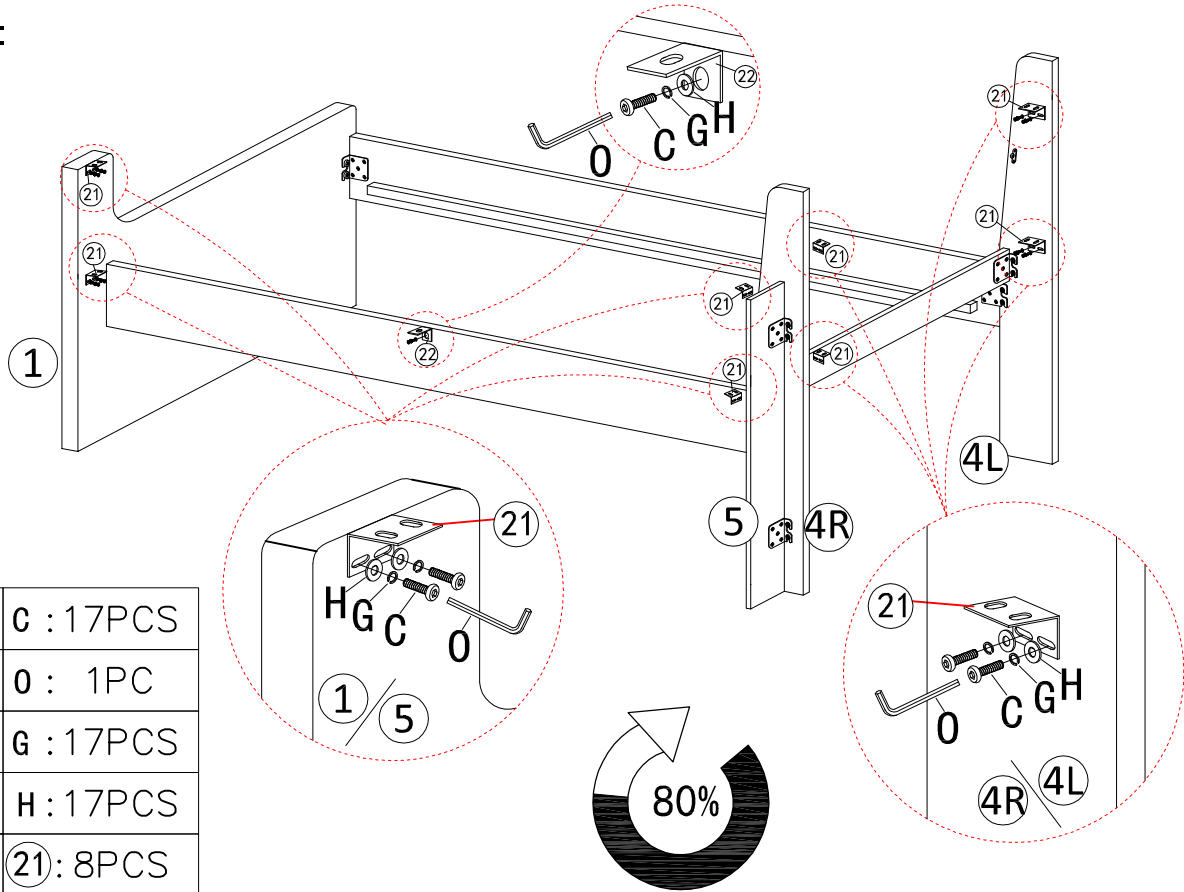
STEP 2:



	A : 8PCS
	N : 1PC
	E : 8PCS
	F : 8PCS

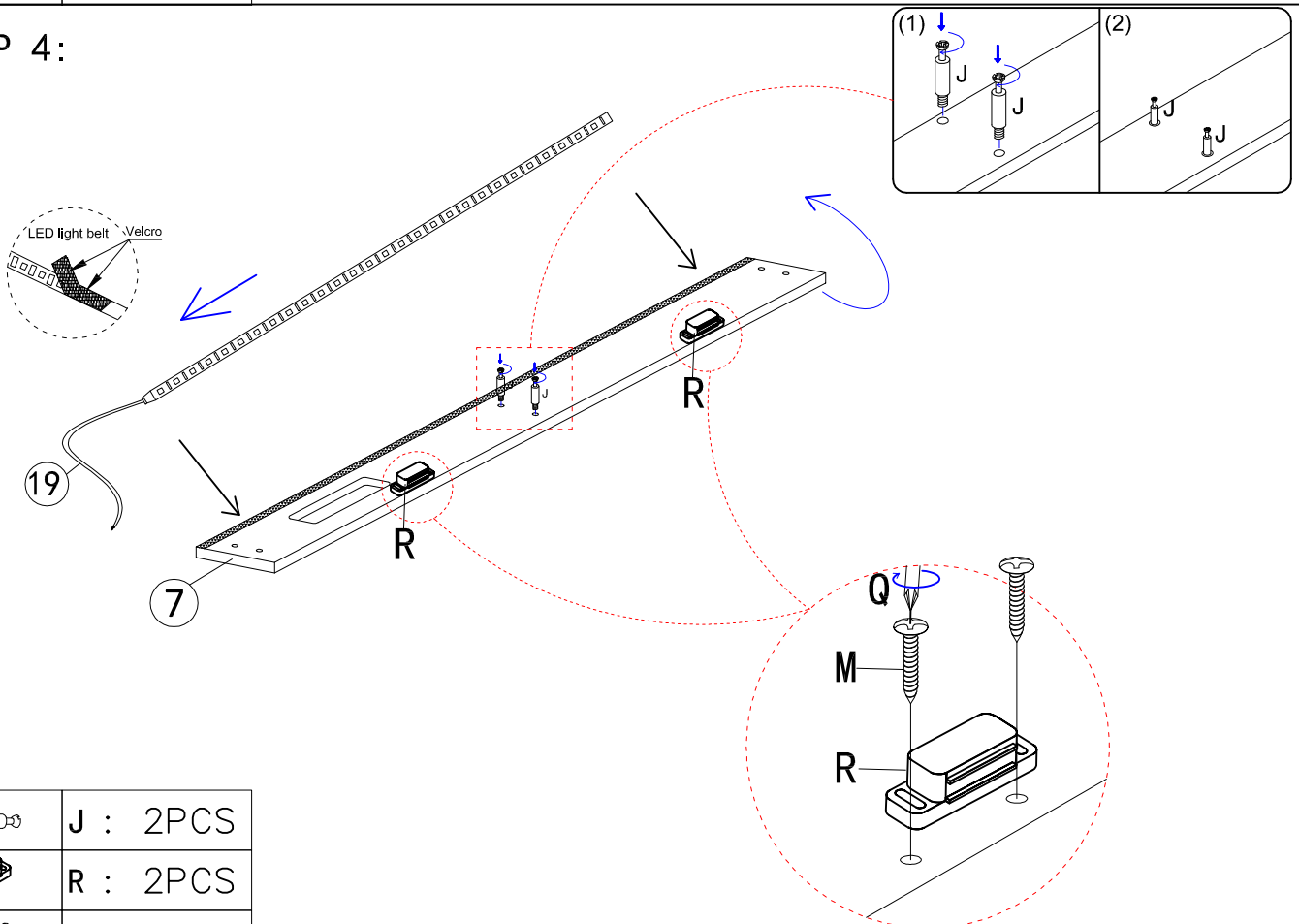
Assembly Steps

STEP 3:



	C : 17PCS
	O : 1PC
	G : 17PCS
	H : 17PCS
	(21) : 8PCS
	(22) : 1PC

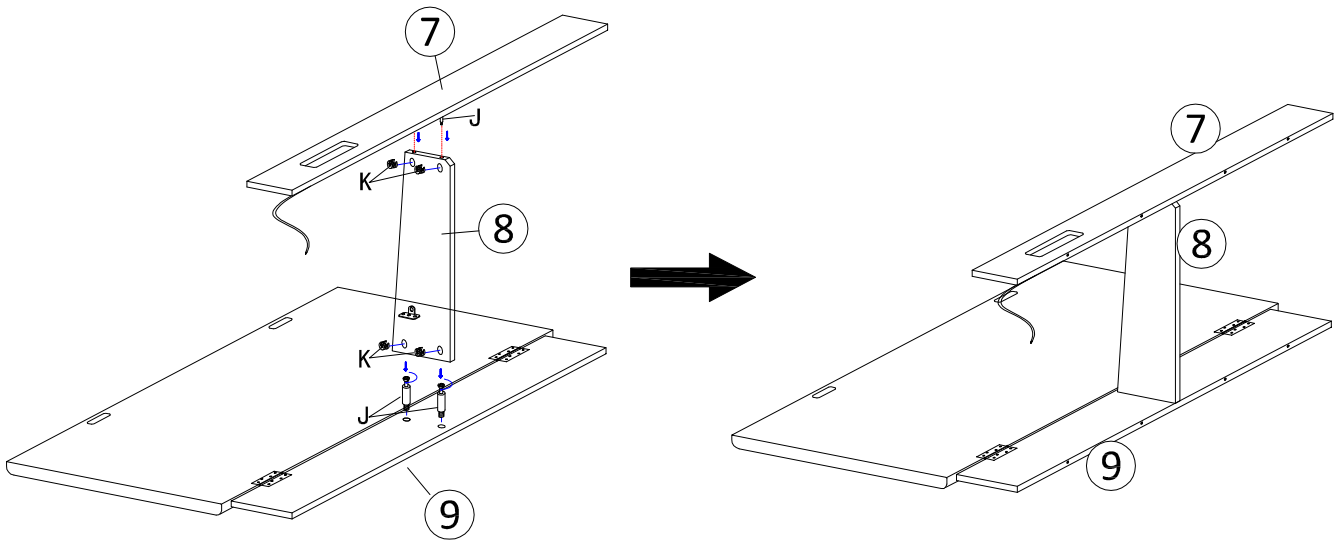
STEP 4:



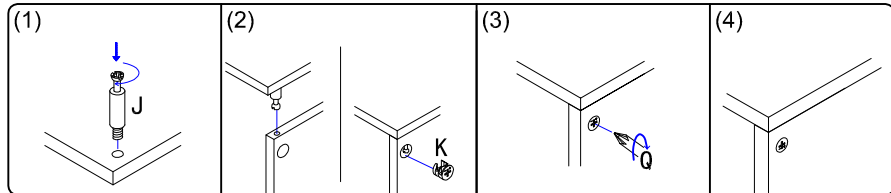
	J : 2PCS
	R : 2PCS
	M : 4PCS
	Q : 1PC

Assembly Steps

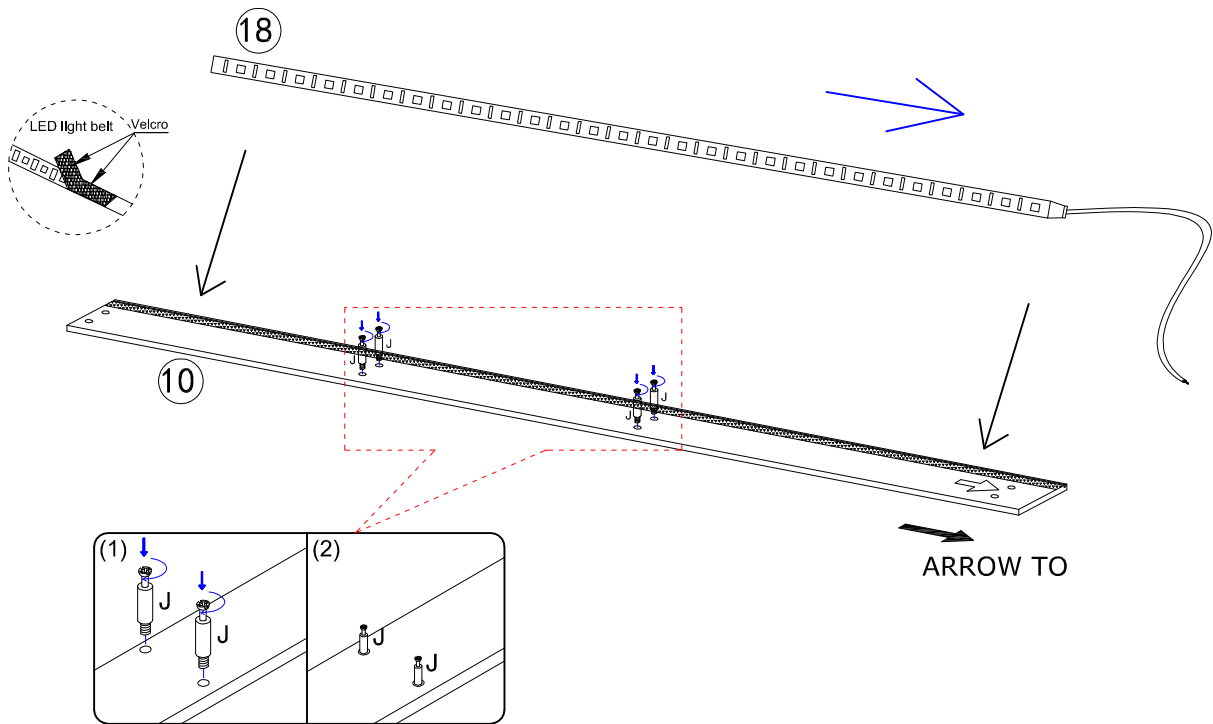
STEP 5:



	J : 2PCS
	K : 4PCS
	Q : 1PC



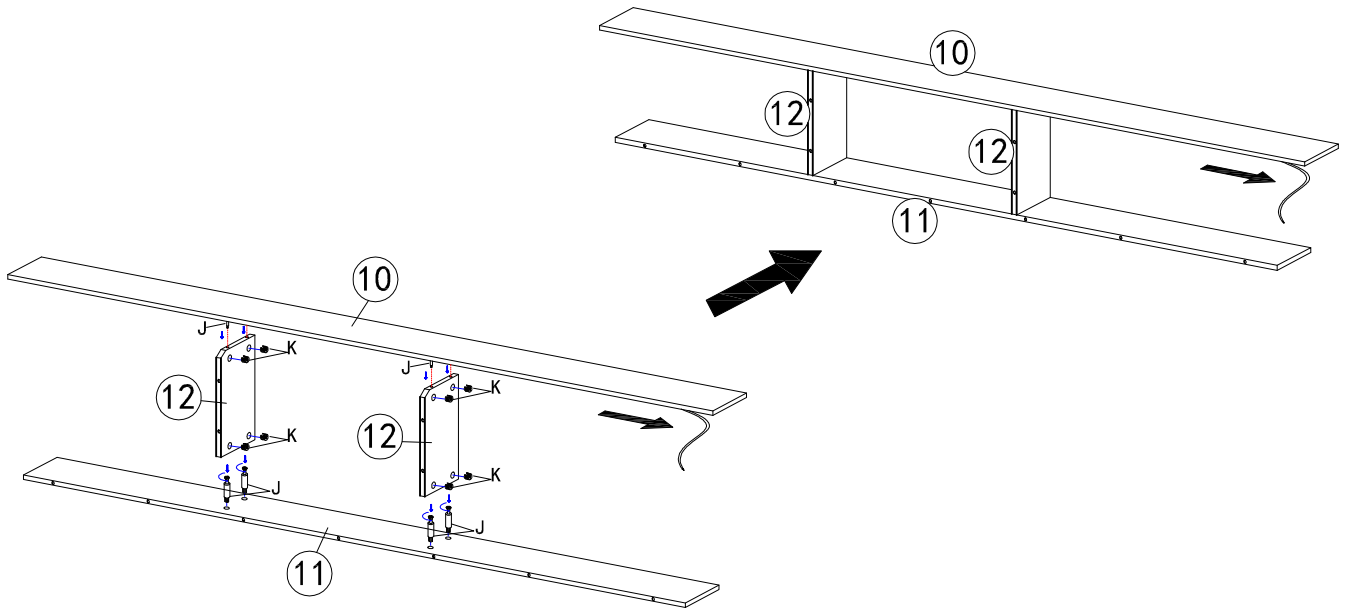
STEP 6:

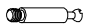




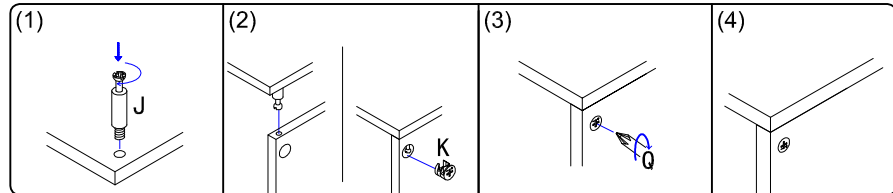
	J : 4PCS
	Q : 1PC

Assembly Steps

STEP 7:

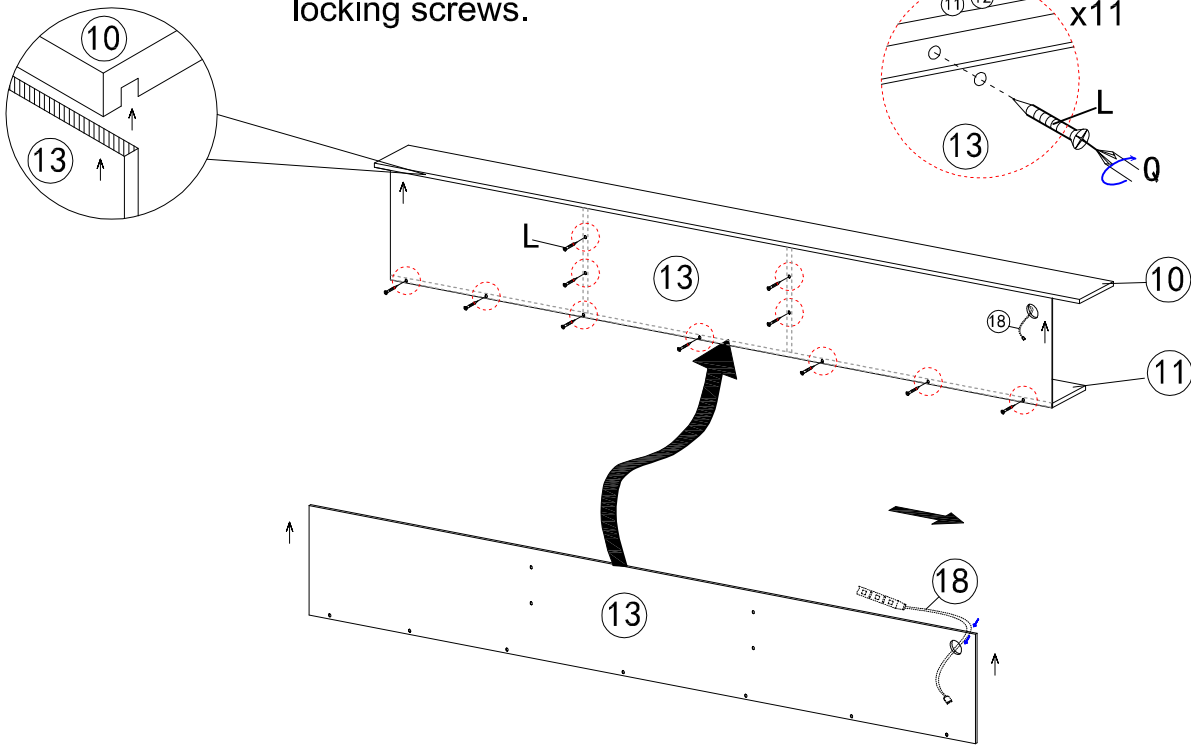




	J : 4PCS
	K : 8PCS
	Q : 1PC



STEP 8:

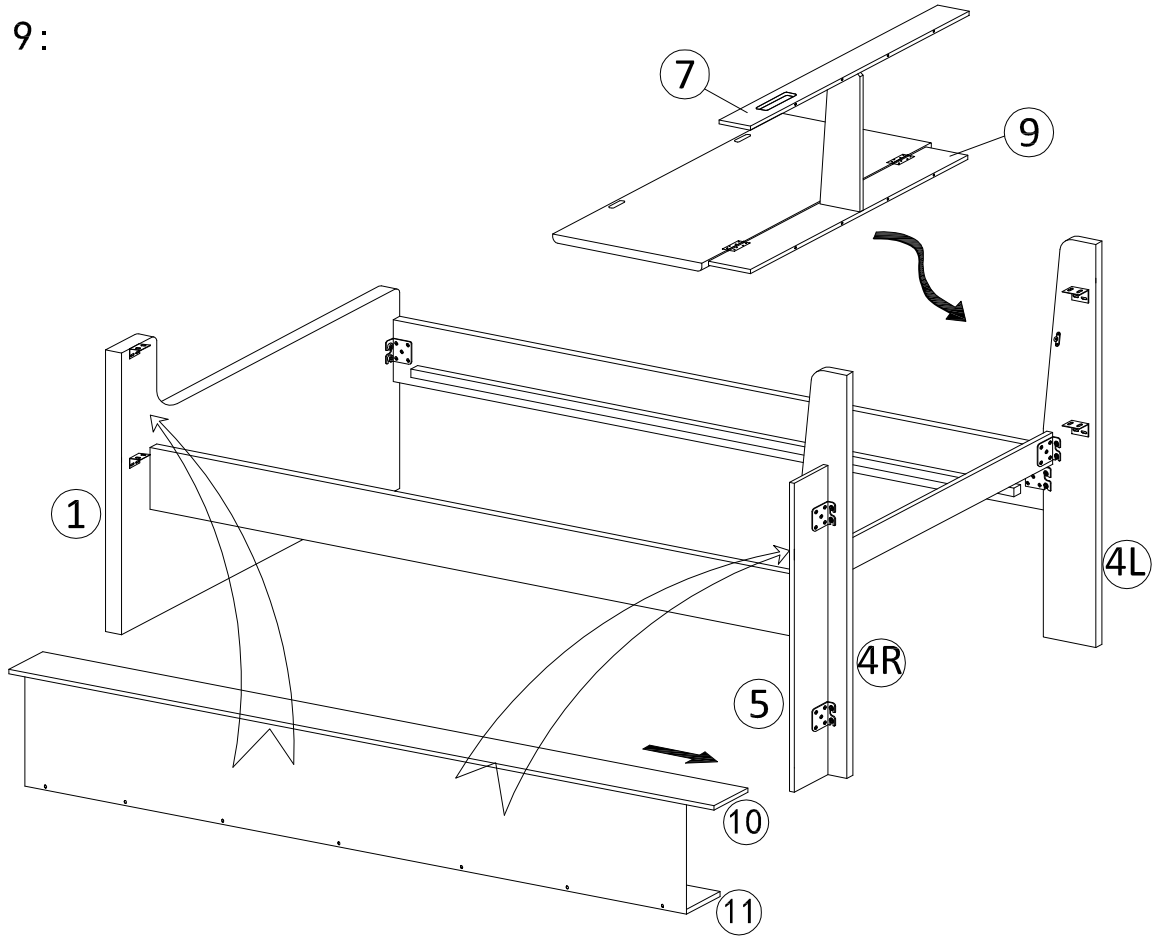
When installing the rear plate, align the ⑬ and ⑪ / ⑫ throughs at the locking screws.



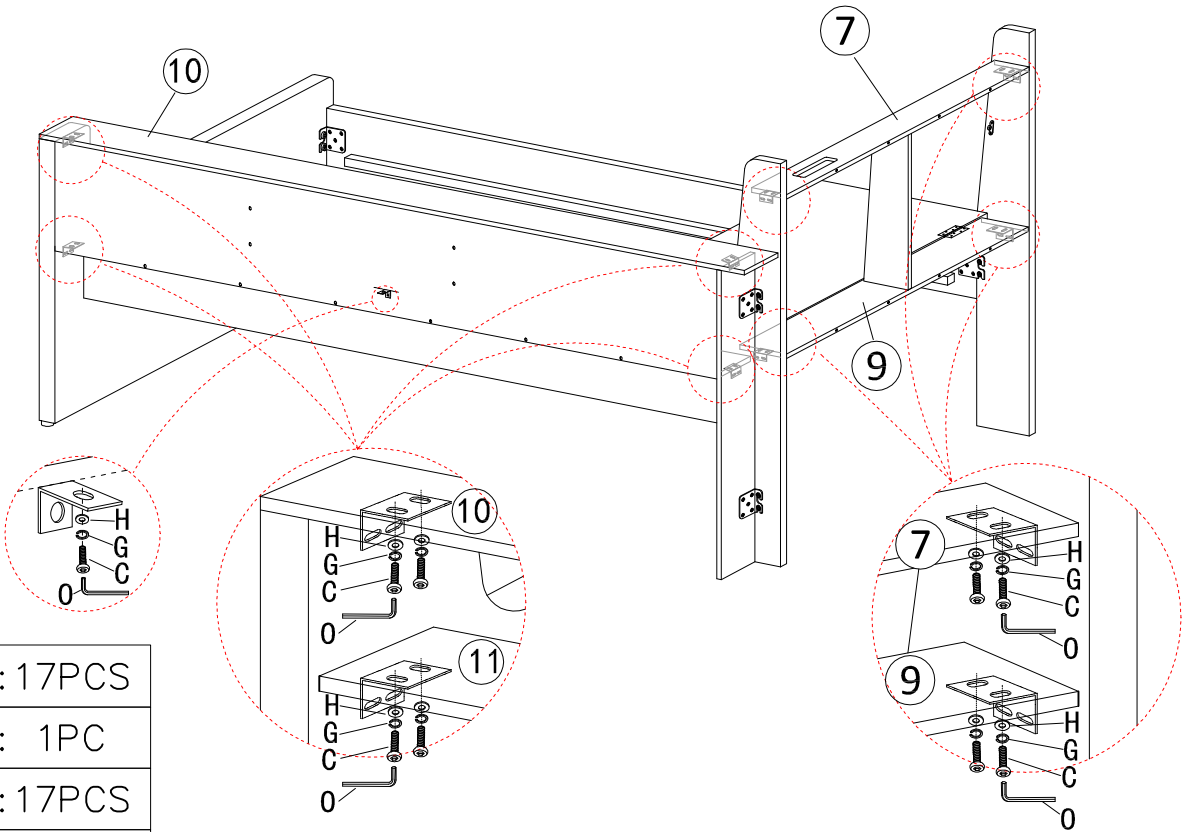
	L : 11PCS
	Q : 1PC





Assembly Steps

STEP 9:



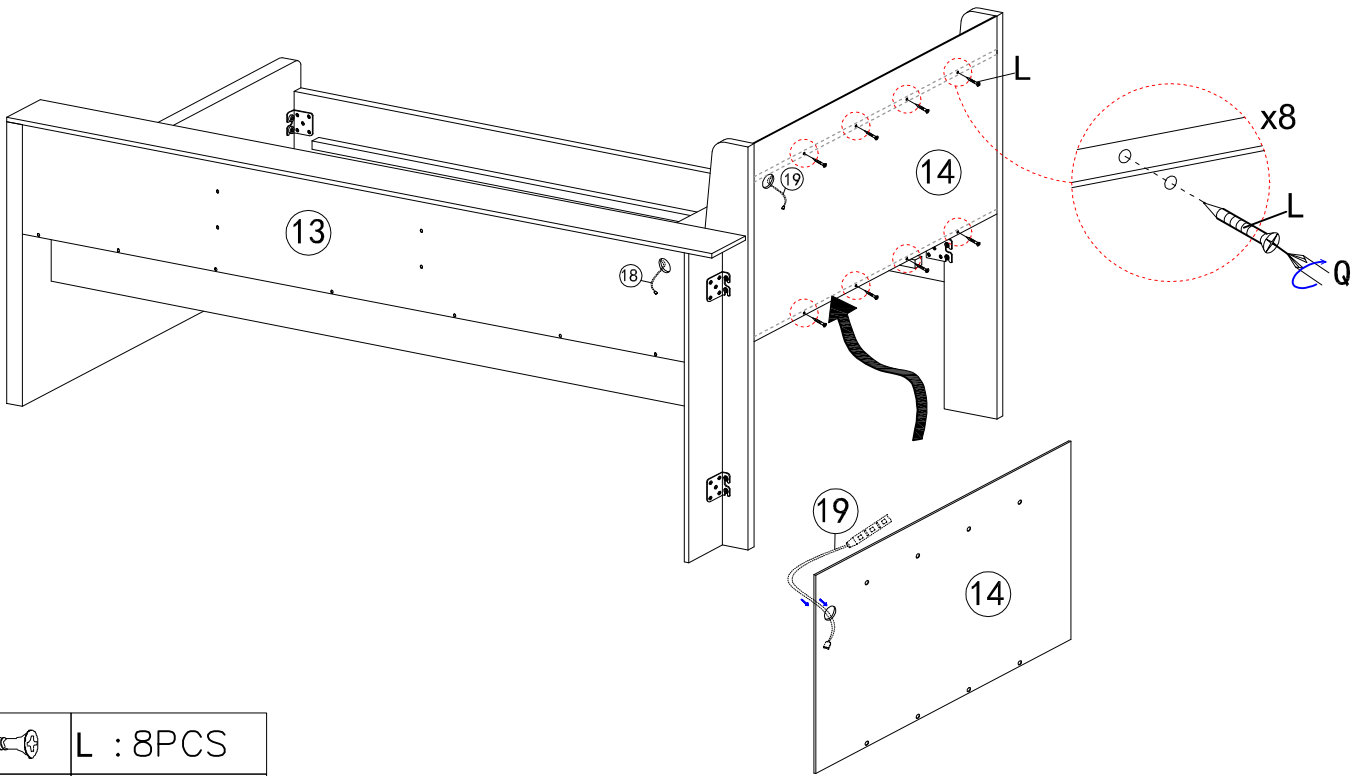
STEP 10:





	C : 17PCS
	O : 1PC
	G : 17PCS
	H : 17PCS

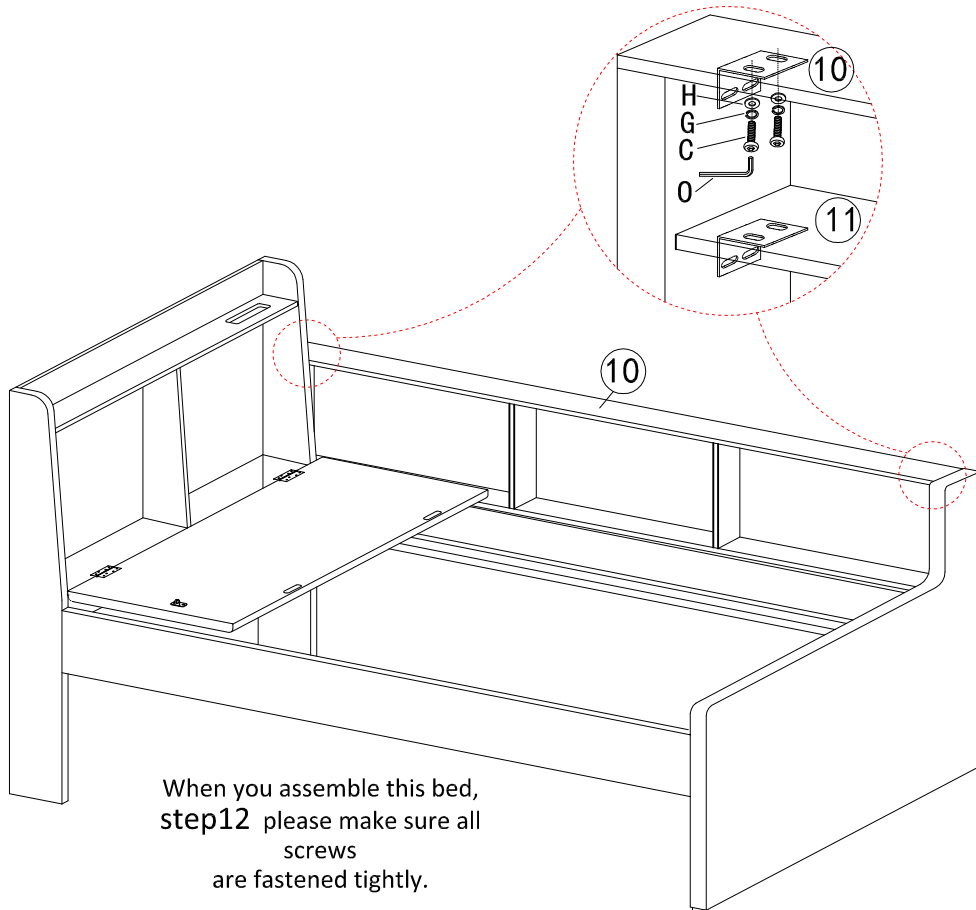
Assembly Steps

STEP 11:

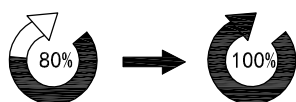



	L : 8PCS
	Q : 1PC

STEP 12:



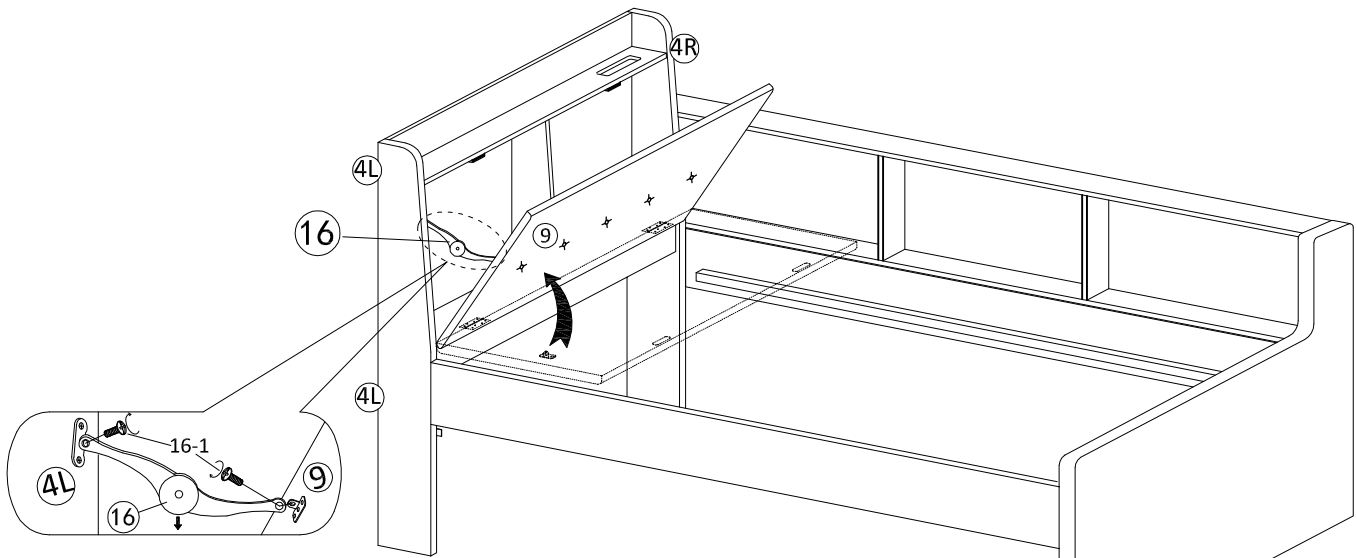
When you assemble this bed,
step12 please make sure all
screws
are fastened tightly.



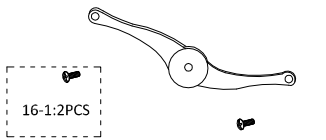
	O : 1PC
--	---------

Assembly Steps

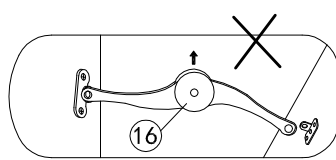
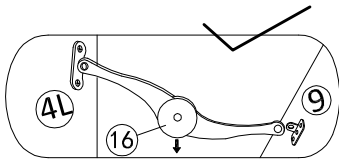
STEP 13:



16:

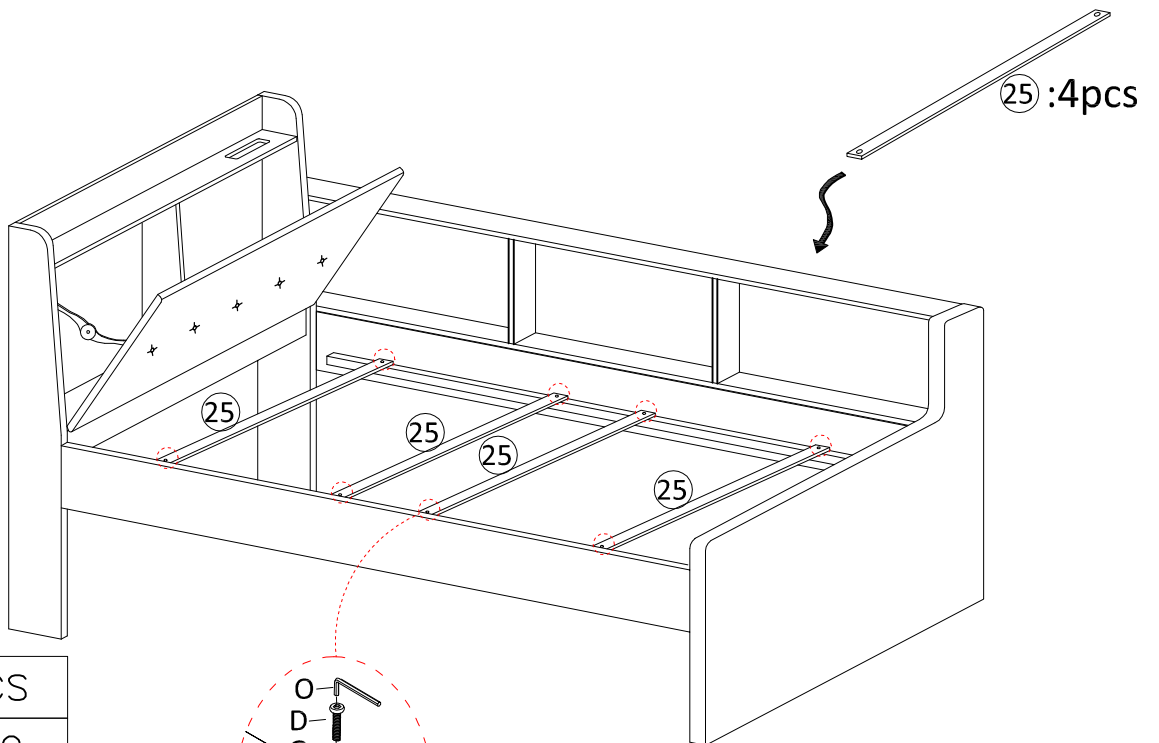


1SET

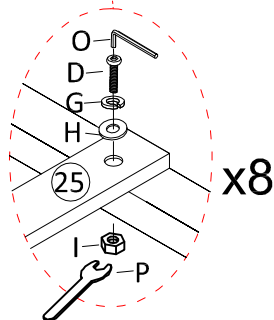


Q : 1PC

STEP 14:

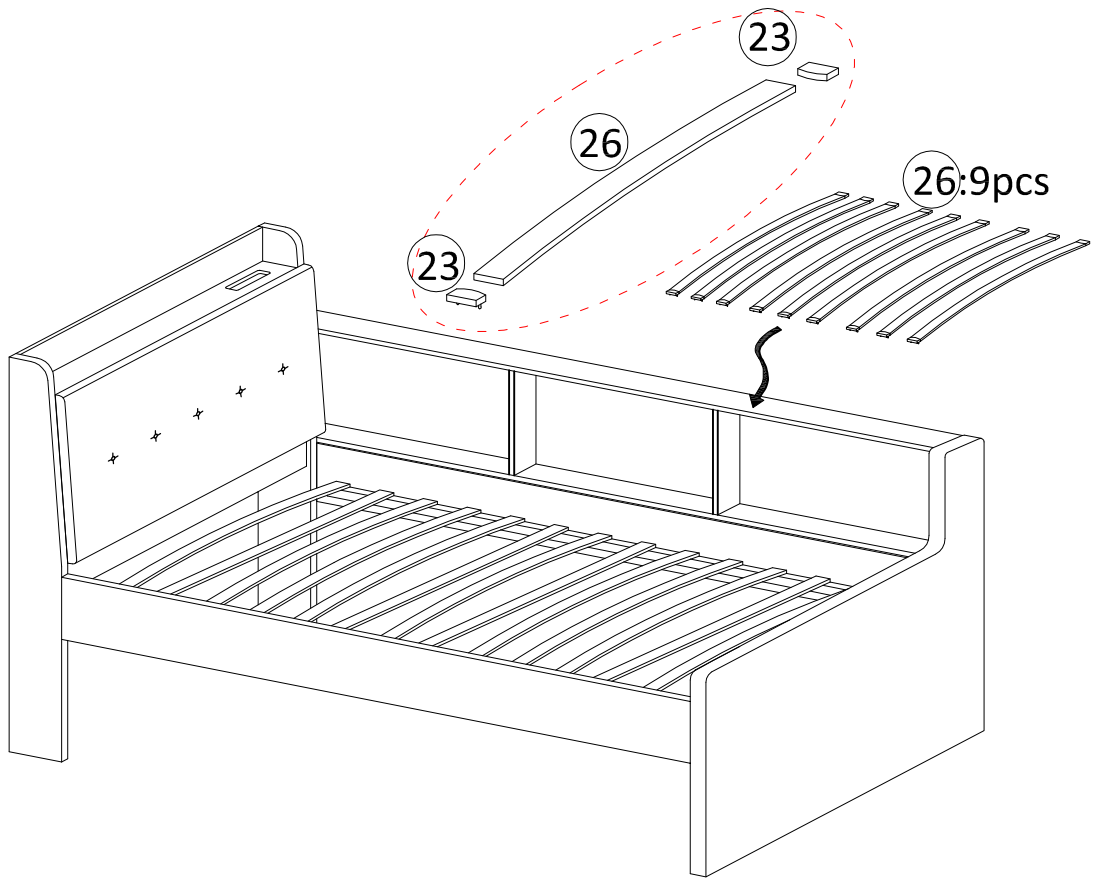


	D : 8PCS
	O : 1PC
	G : 8PCS
	H : 8PCS
	I : 8PCS
	P : 1PC



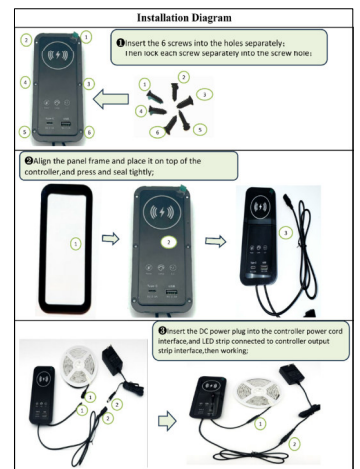
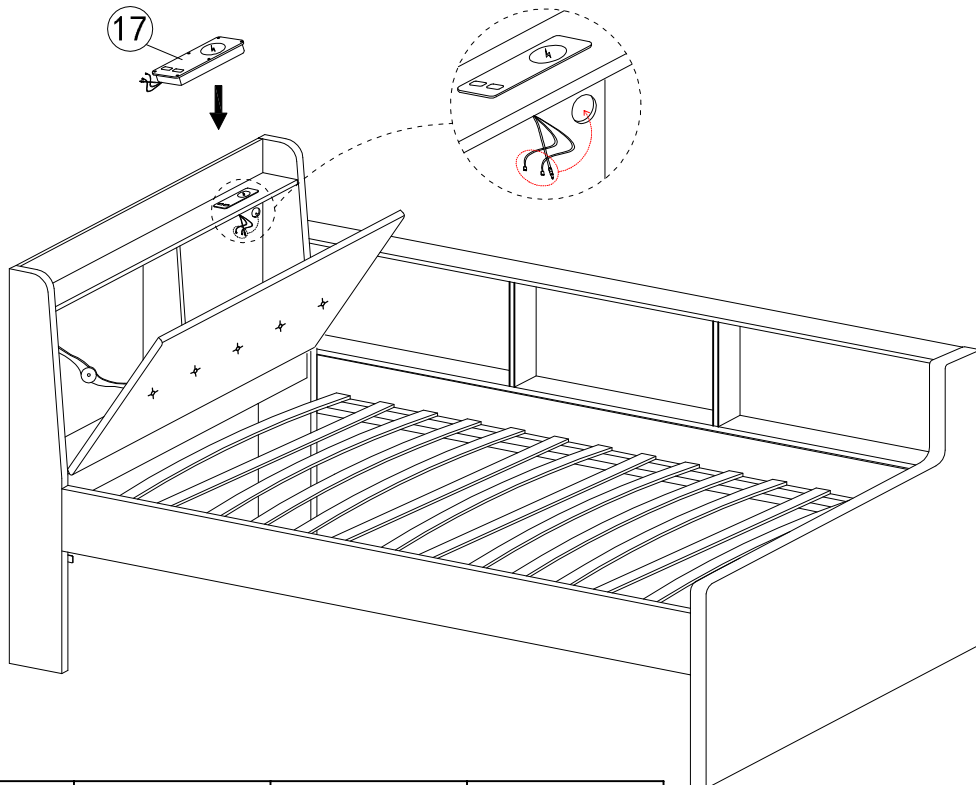
Assembly Steps

STEP 15:



23: 18PCS

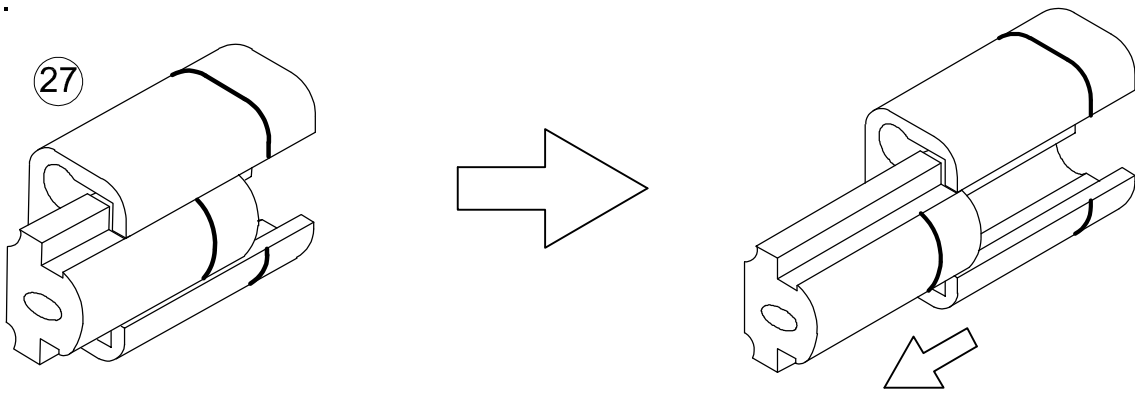
STEP 16: (17)&(18)&(19)&(20) Please refer to the appendix for details of installation and usage.



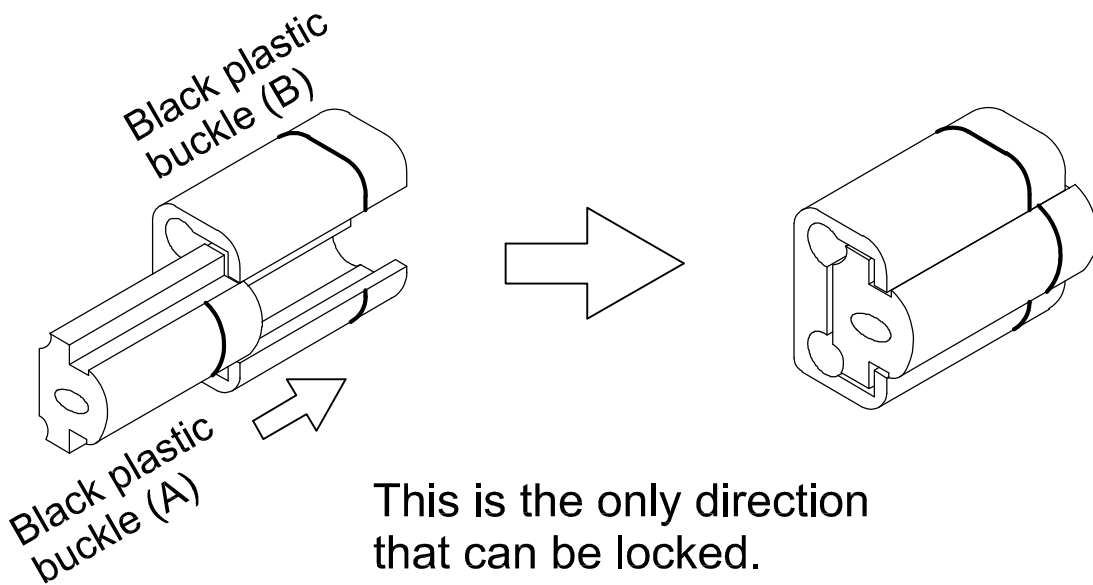
<p>17:</p> <p>17-1:6PCS</p> <p>1pc</p>	<p>18:</p> <p>1pc</p>	<p>19:</p> <p>1pc</p>	<p>20:</p> <p>1pc</p>
--	-----------------------	-----------------------	-----------------------

Assembly Steps

STEP 17:

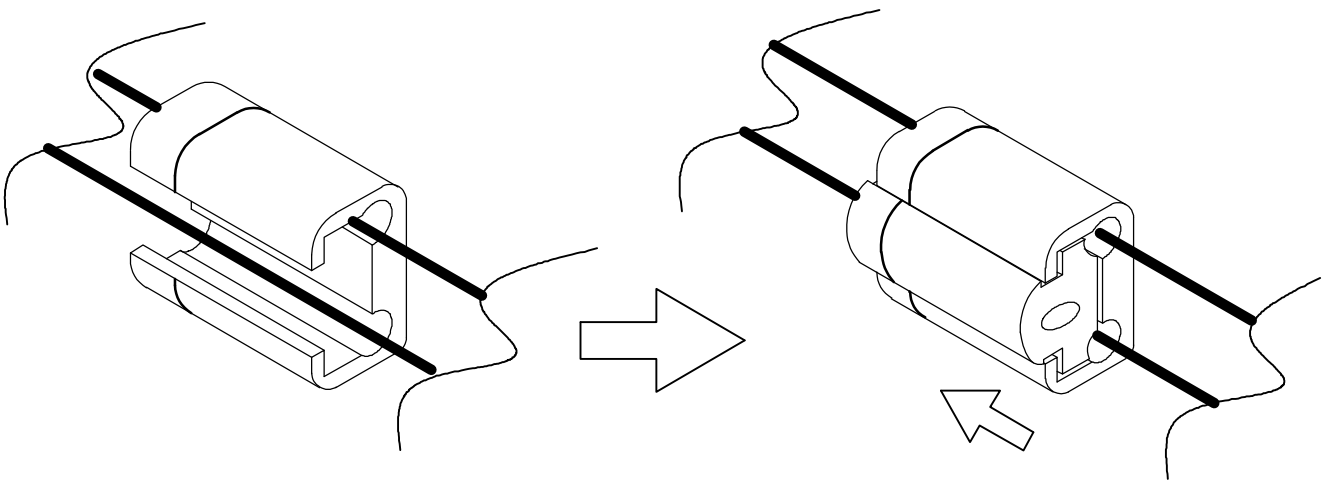


You can pull the buckle out by following the direction indicated by the arrow



This is the only direction that can be locked.

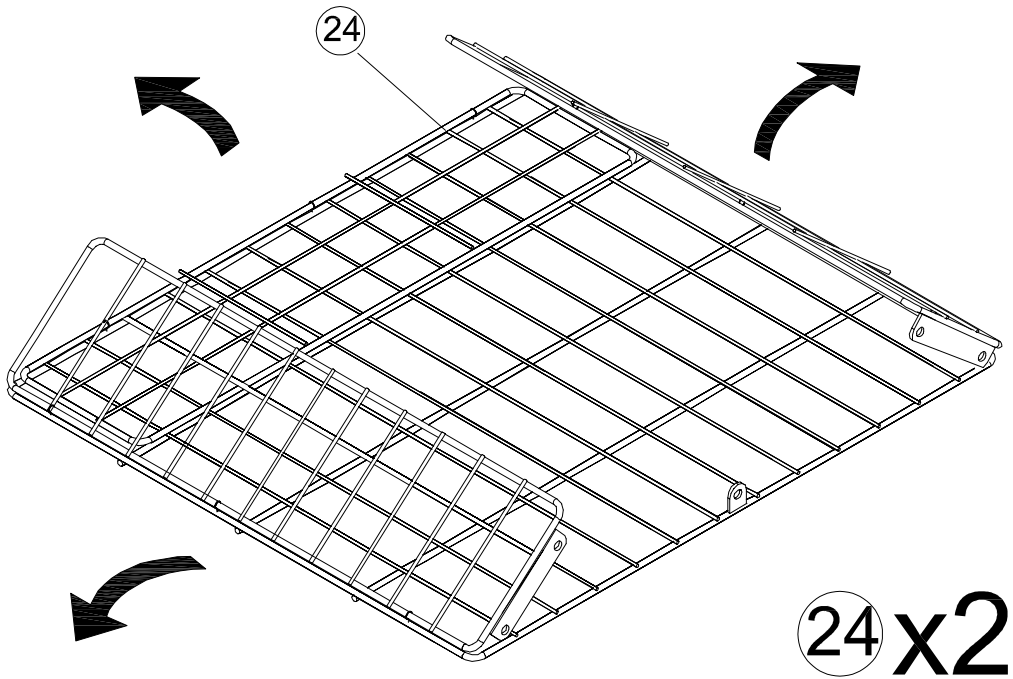
STEP 18:



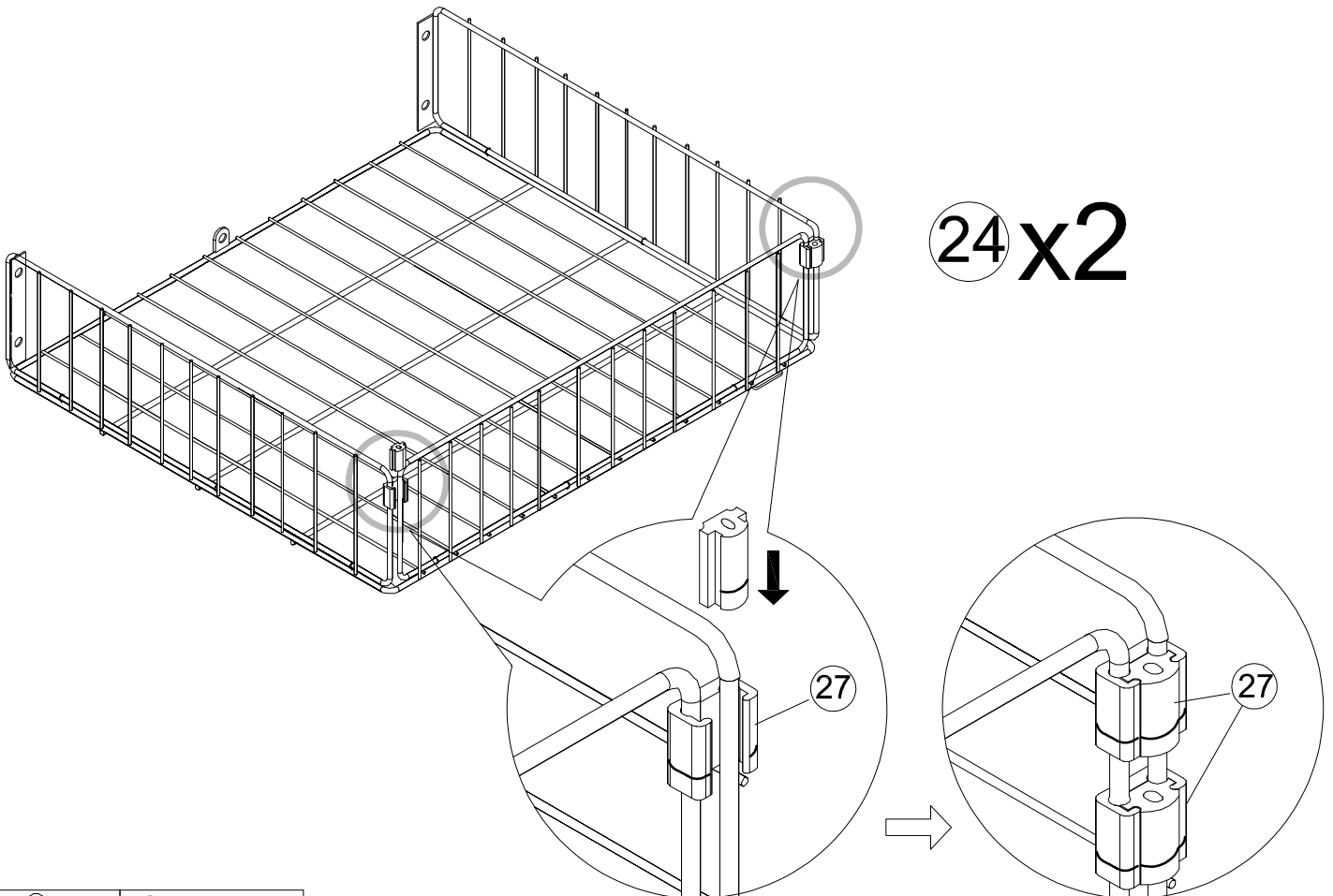
Place round iron tube as shown for better drawer assembly

Assembly Steps

STEP 19:



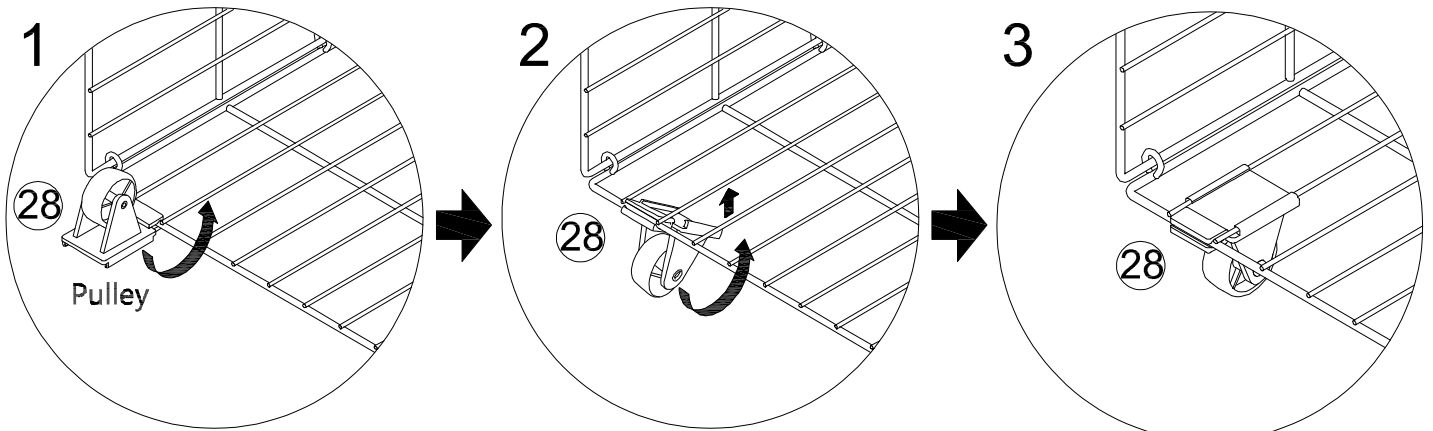
STEP 20:



27 x 8PCS

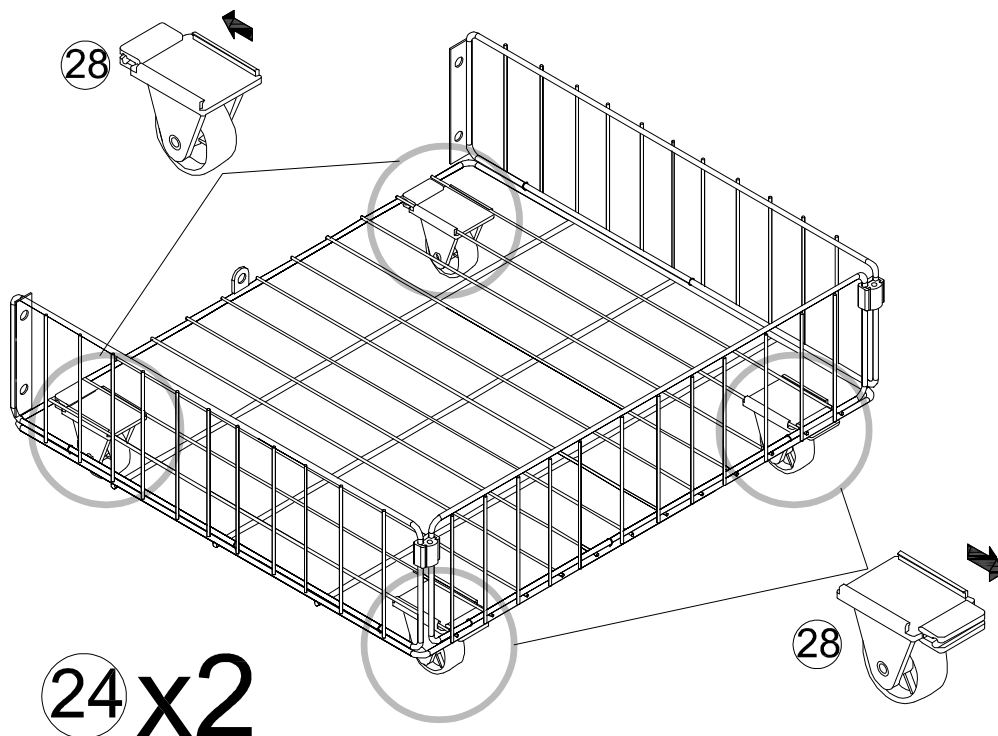
Assembly Steps

STEP 21:



1. As shown in the figure Clip the pulley into position first

2. Then push the pulley to the side, clamp the iron wire at the edge.



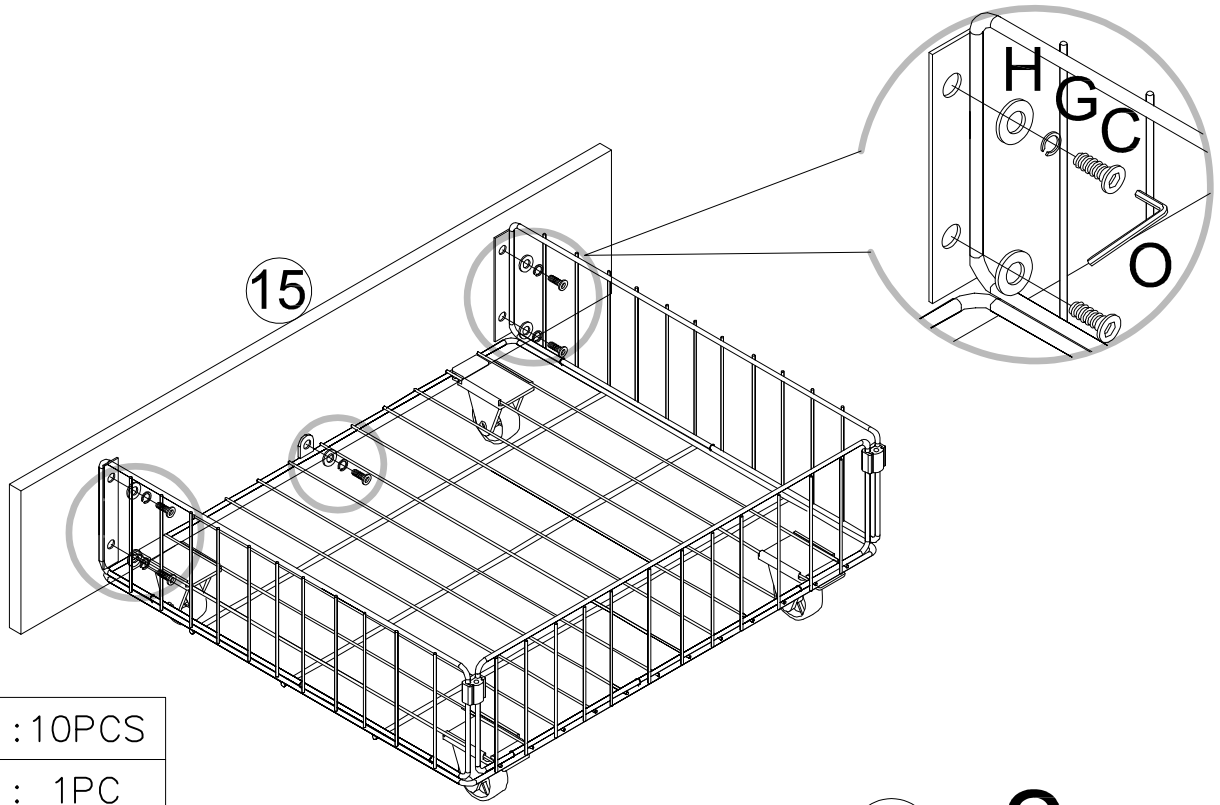
Place the round iron tubes as shown for better assembly of the drawers.

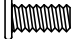





28x 8PCS

Assembly Steps

STEP 22:



	C : 10PCS
	O : 1PC
	G : 10PCS
	H : 10PCS

24 x 2

STEP 23:

