

SOFIOT-0001

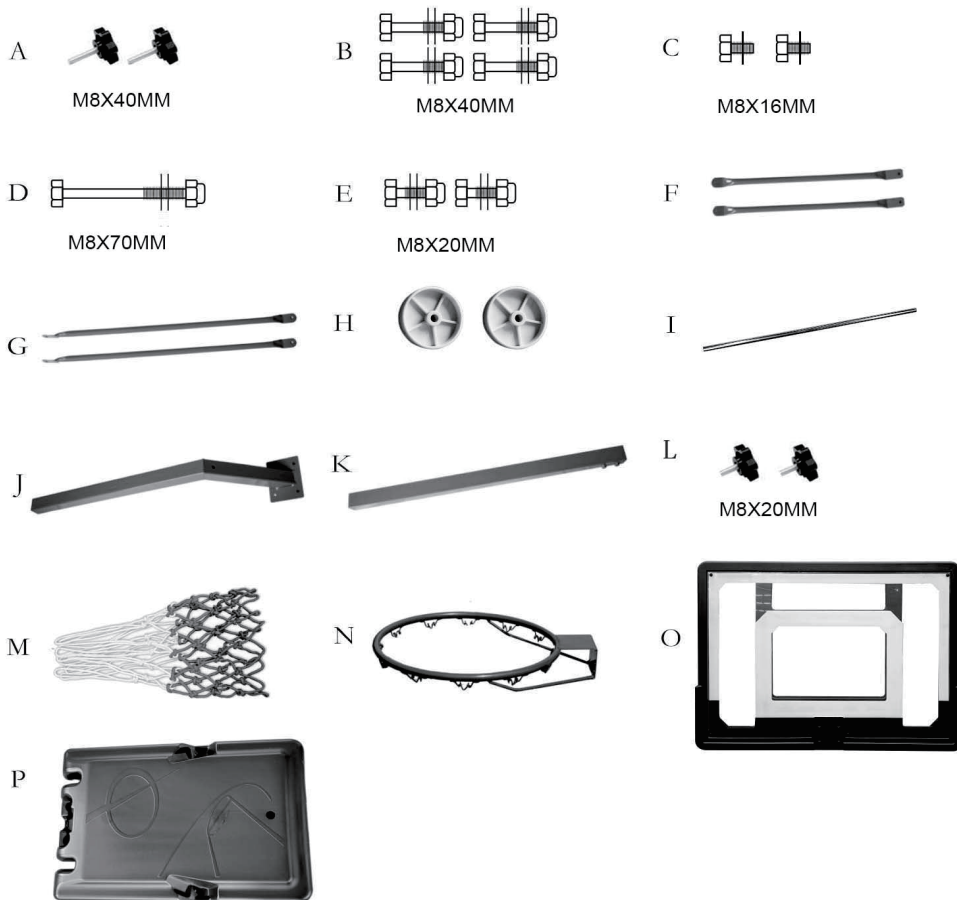


WARNING:
IMPROPER INSTALLATION
OR SWINGING ON THE RING
MAY CAUSE SERIOUS
INJURY OR DEATH

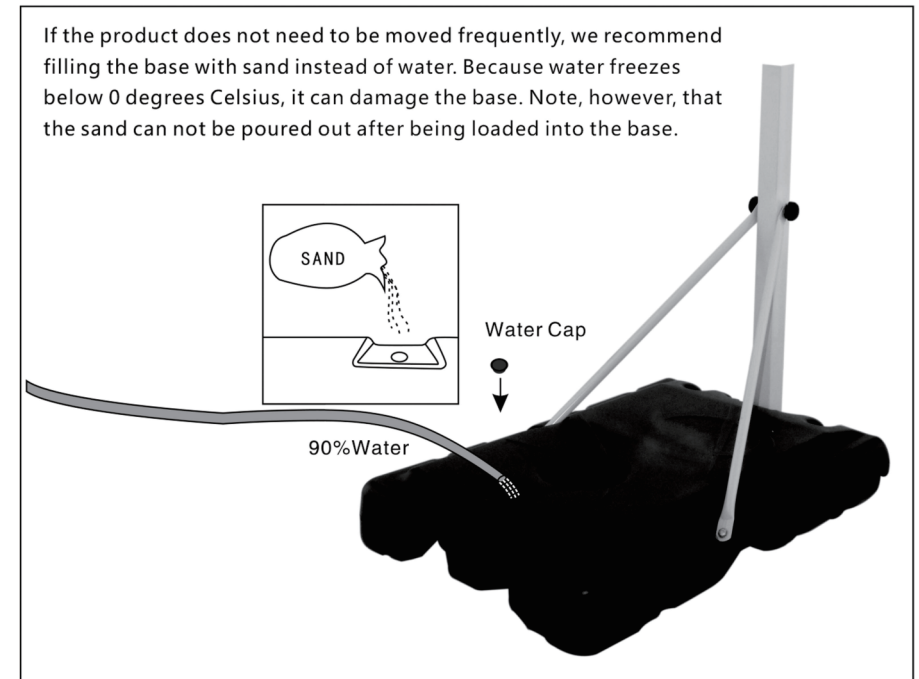
"IMPORTANT, RETAIN FOR FUTURE REFERENCE: READ CAREFULLY"

Parts List

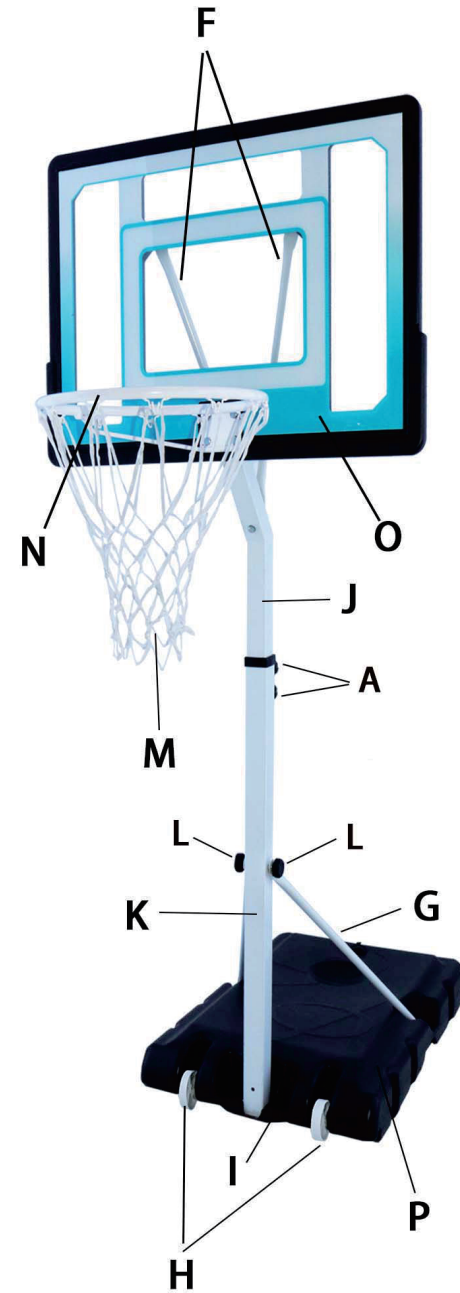
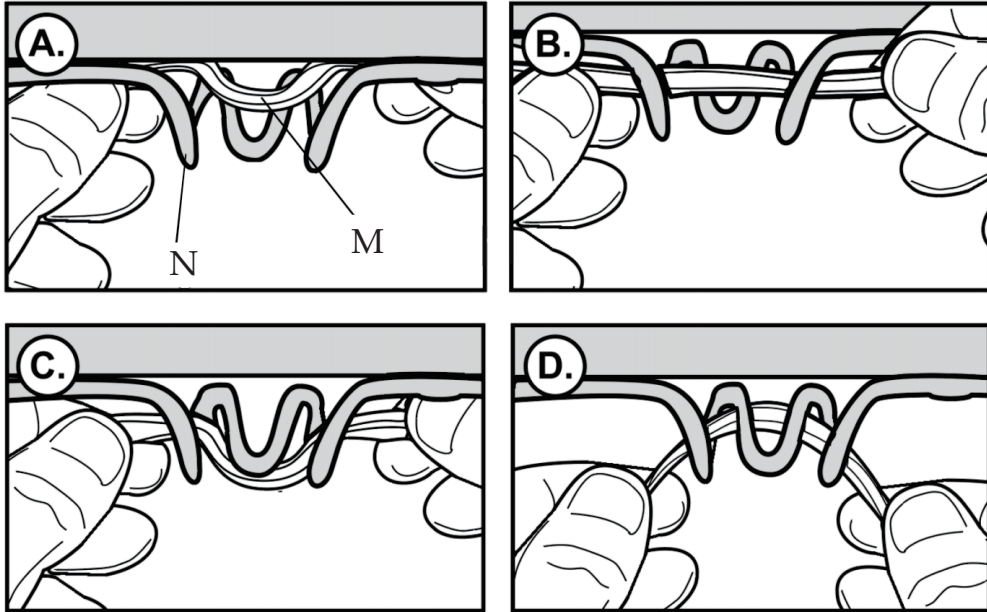
Part	Name&Specification	Part	Name&Specification
A	M8*40MM Plastic bolt X2	I	Wheel Shaft X1
B	M8*40MM bolt X4	J	Top pole X1
C	M8*16MM bolt X2	K	Bottom pole X1
D	M8*70MM bolt X1	M	Net X1
E	M8*20MM bolt X2	N	Rim X1
F	Support rod X2	O	Backboard X1
G	Pole brace X2	P	Base X1
H	Wheel X2	L	M8*20MM Plastic bolt X2



Remark: Filling the water or sand in the base

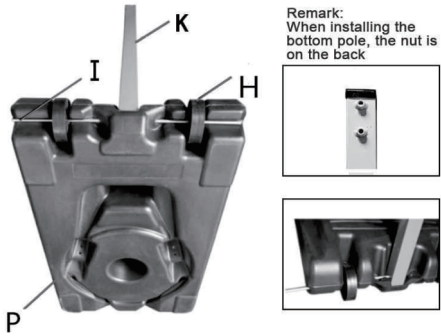


Install the ball net

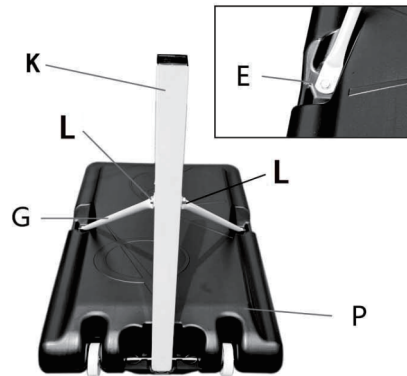


Installation steps

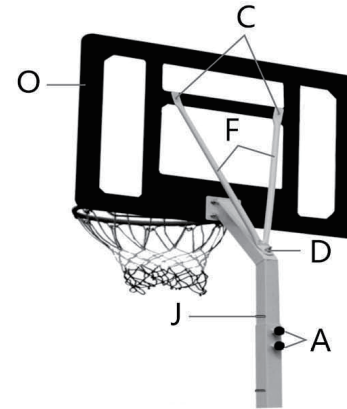
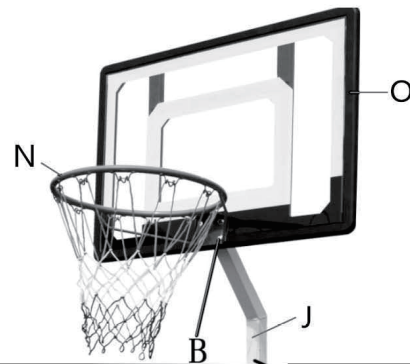
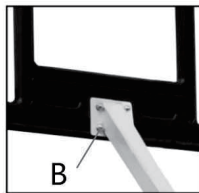
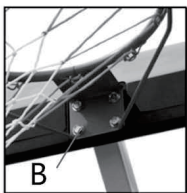
1) Insert the Wheel shaft(I) into Wheel(H),Base(P) and end of Bottom pole(K) as shown.



2) Fix one end of 2pcs Pole brace(G) on Bottom pole(K) by 2pcs Plastic bolt(L), then fix the other end of Pole brace(G) on two sides of Base(P) by Bolt(E) as shown.

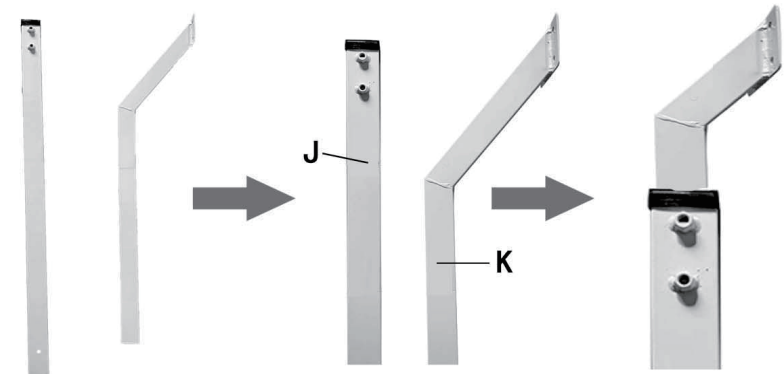


3) Install Rim(N)&Top pole(J) on Backboard(O) by 4pcs Bolts(B) as shown.



4) Fix one end of 2pcs Support rod(F) on Top pole(J) by Bolt (D), then fix the other end of Support rod(F) on two sides of Backboard(O) by Bolt(C) as shown.

5) Connect the Top pole(J)&Bottom pole(K) as shown, fix them by 2pcs Plastic bolts (A).



The height adjustable is 1.25-1.75m