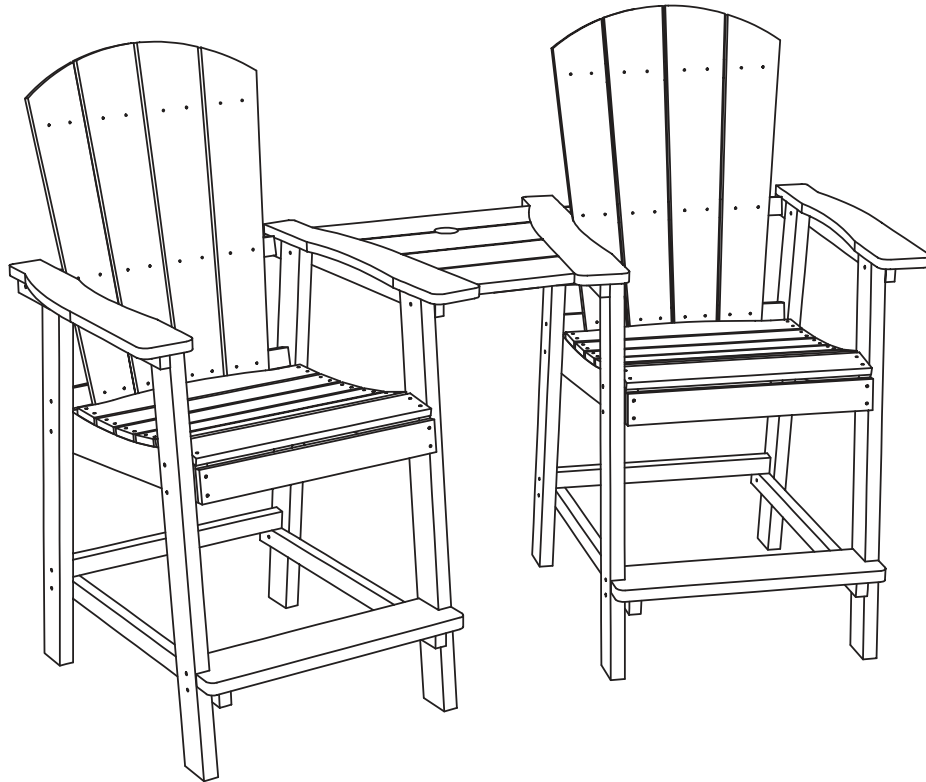


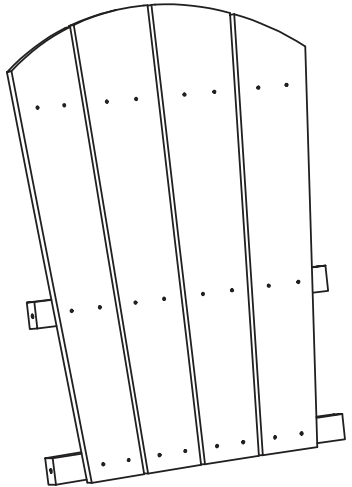
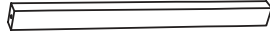

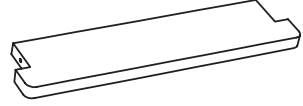
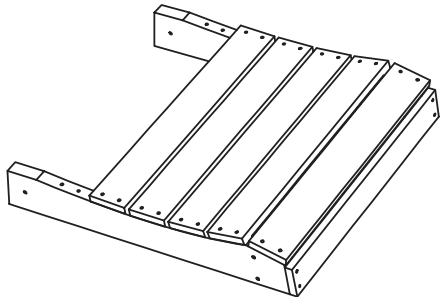
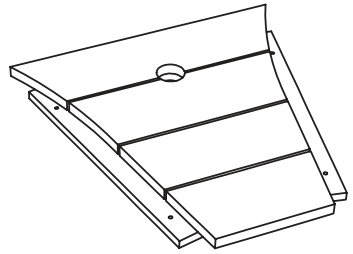

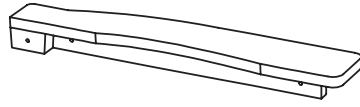

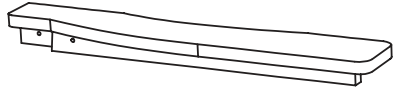

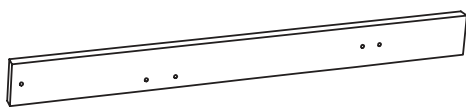
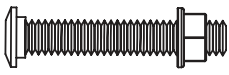

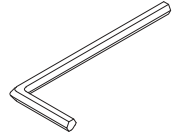
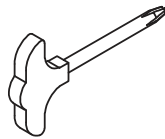
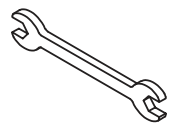
Assembly Instructions

Tall Adirondack Chairs with Tray

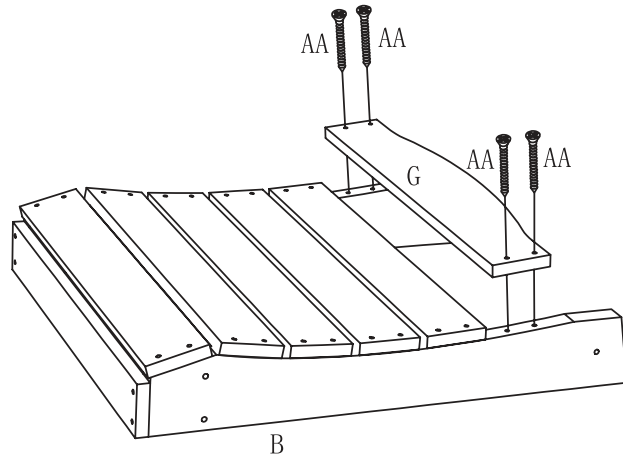


Notice:

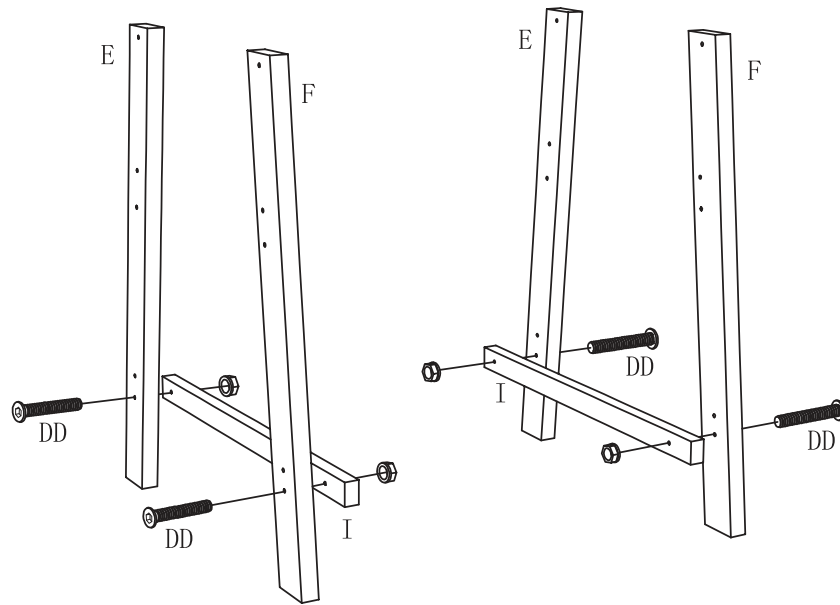
- 1. Follow the installation instructions. Please confirm all accessories are preset before installation.**
- 2. Do not fully tighten the screws during initial assembly. Fully tighten screws only once all pieces which are correctly assembled.**
- 3. If you encounter any problems during installation, please contact our customer service.**

A		2PCS	H		2PCS
			I		4PCS
			J		2PCS
B		2PCS	K		1PC
			AA	 4*35 Screw	8PCS
C		2PCS	BB	 M6*30 Bolt	4PCS
D		2PCS			
E		4PCS			
F		4PCS	DD	 M6*60 Bolt	28PCS
G		2PCS	  		

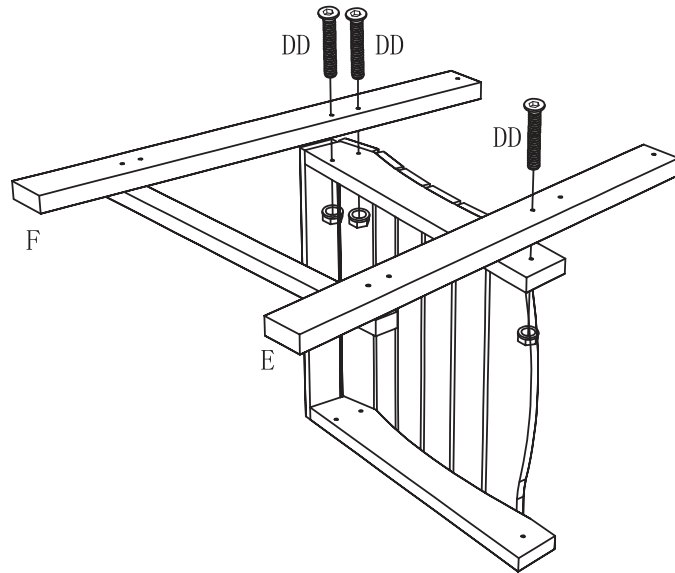
1



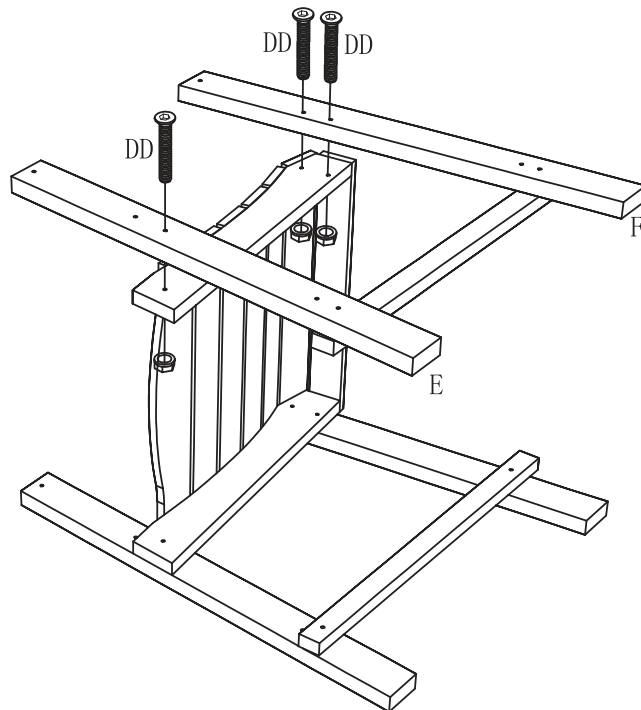
2



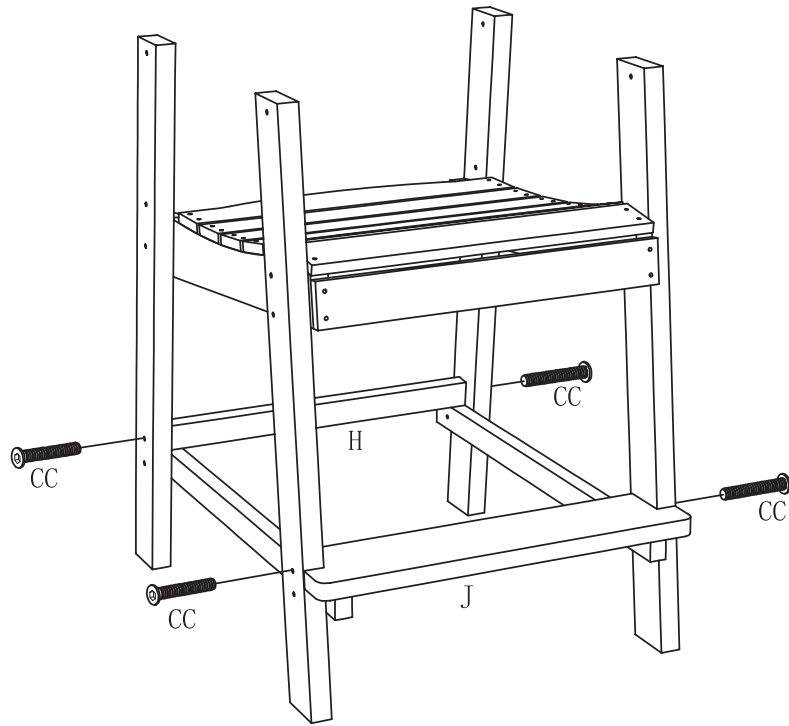
3



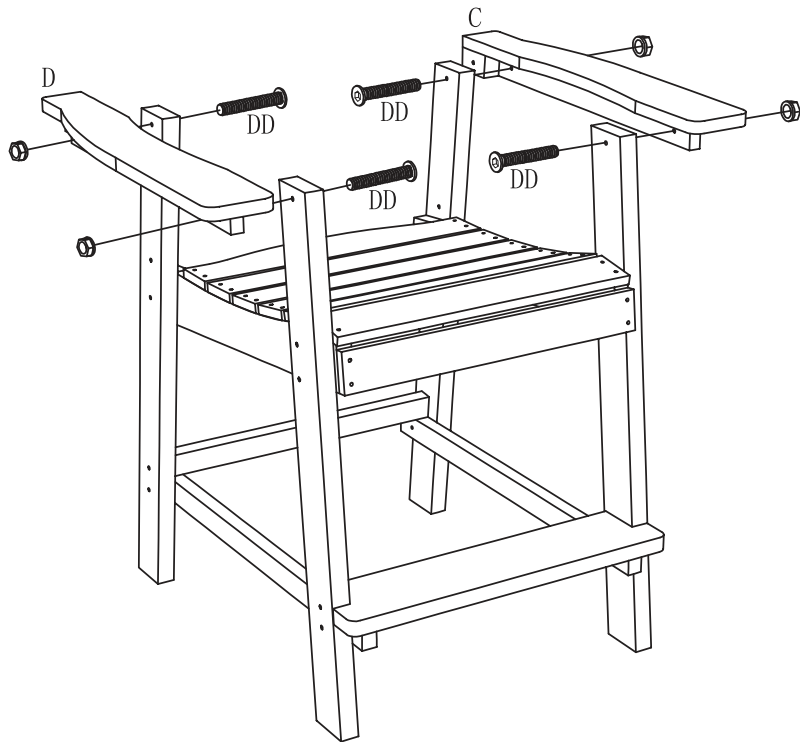
4



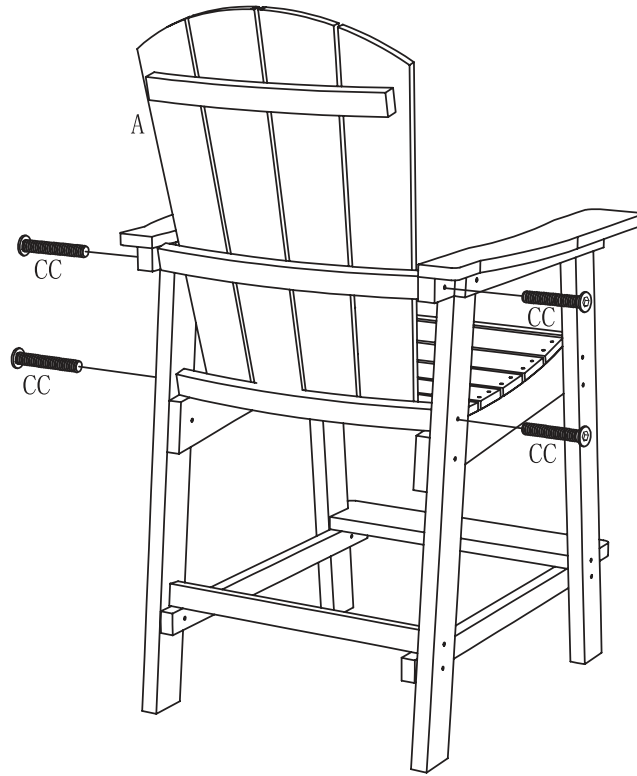
5



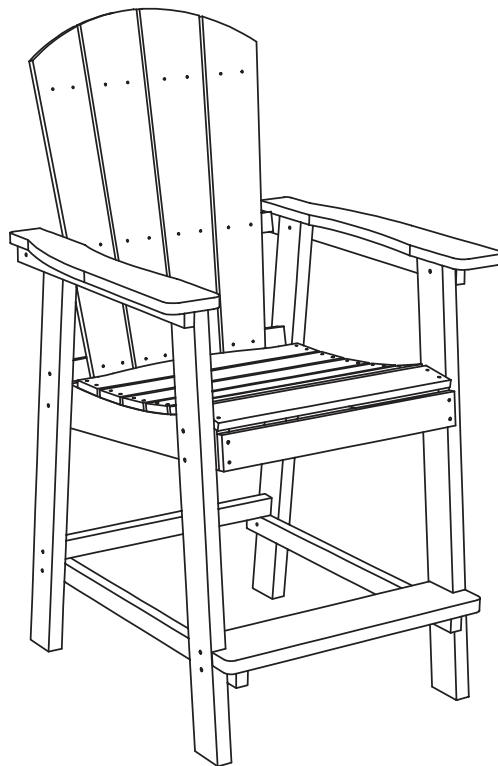
6



7

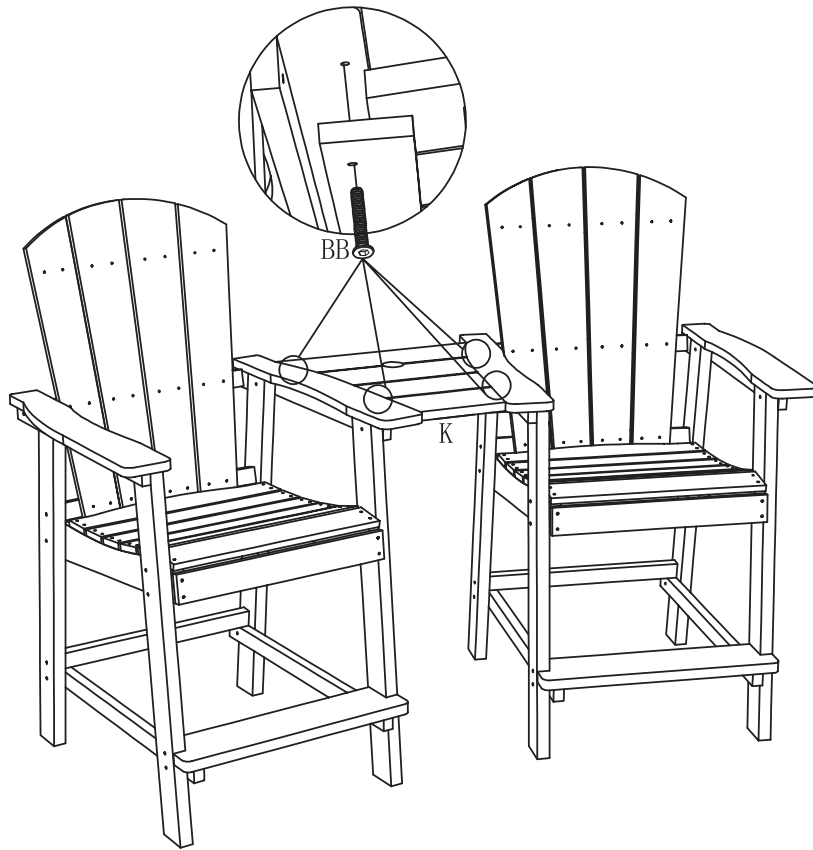


8



X2

9



10

