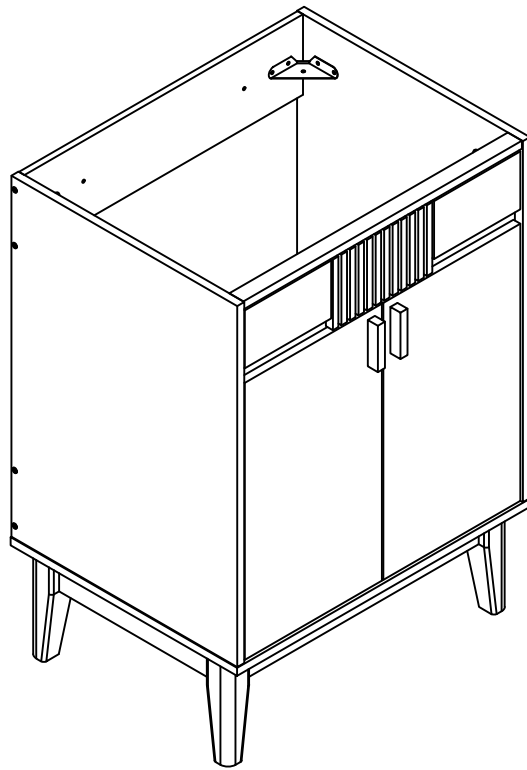


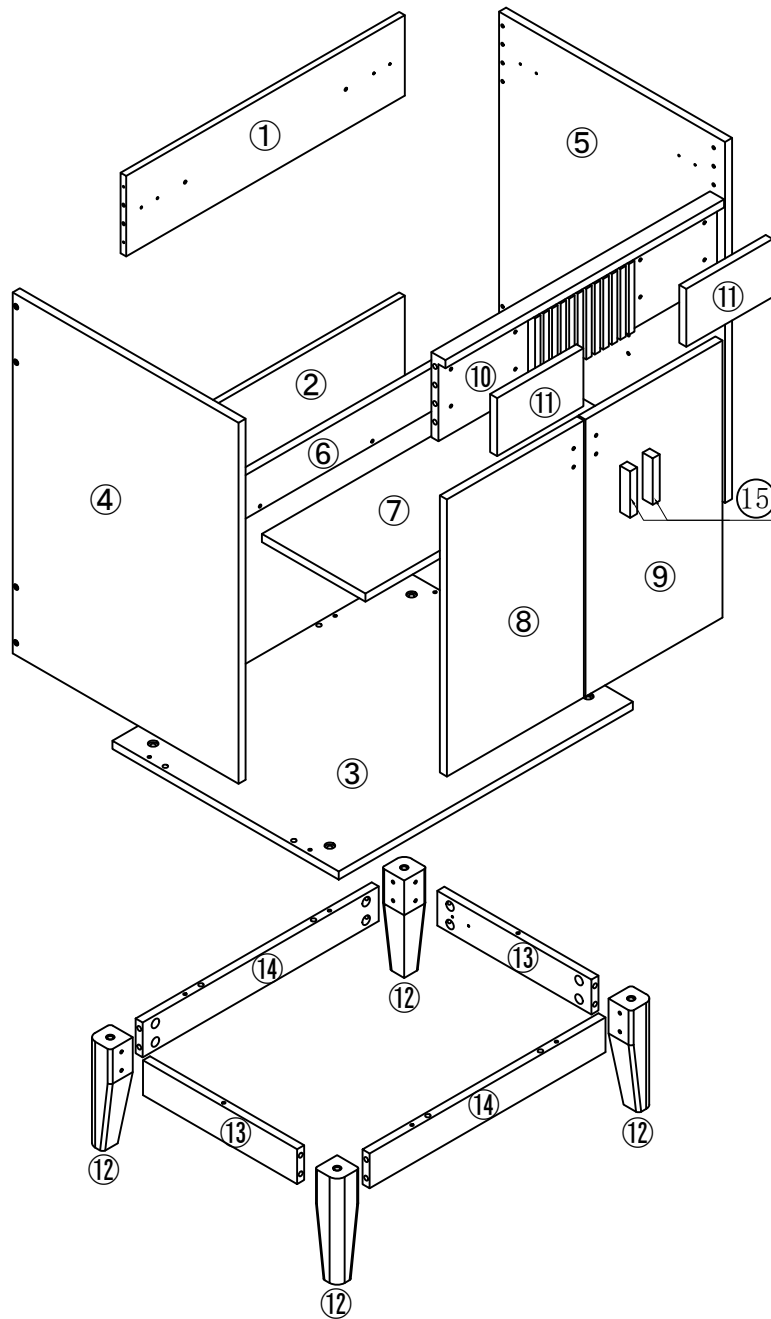
# INSTALLATION MANUAL

## Storage Cabinet Series V2



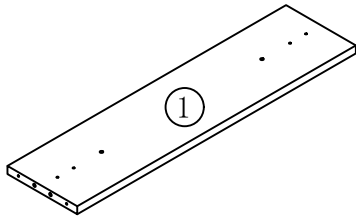
Note: If you encounter any problems during installation, or if any parts are missing or need replacement, please contact us and provide your ORDER ID. We will assist you as soon as possible.

# Parts List

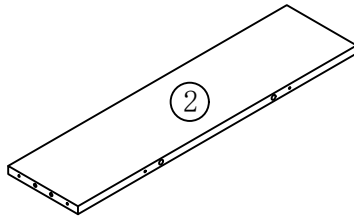


# Component Panels & Part List

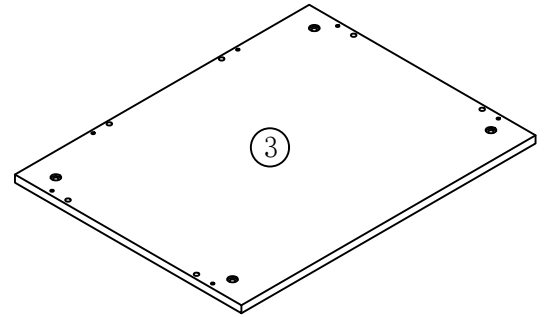
Please check that all panels listed below are included.



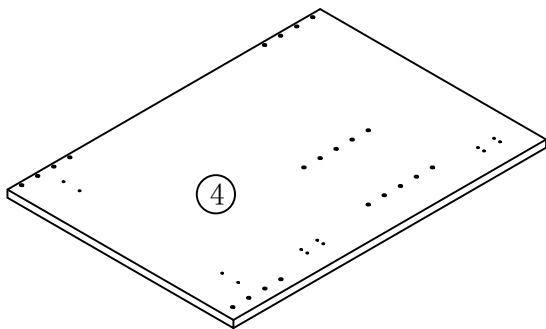
Qty: 1pc



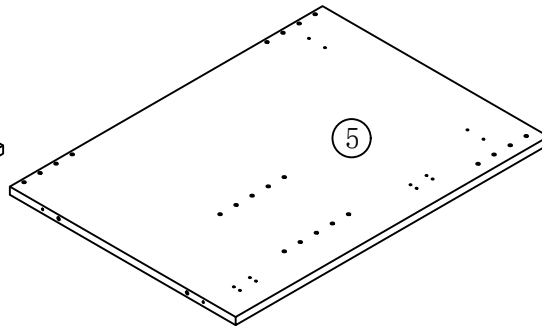
Qty: 1pc



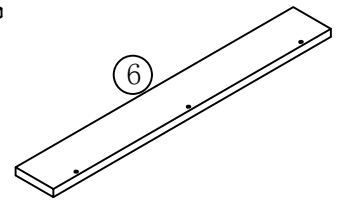
Qty: 1pc



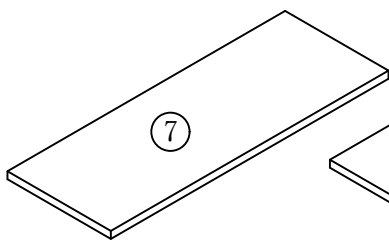
Qty: 1pc



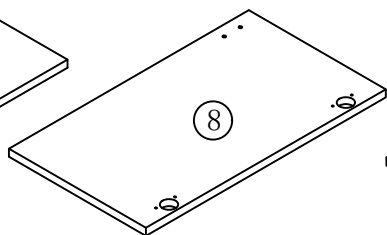
Qty: 1pc



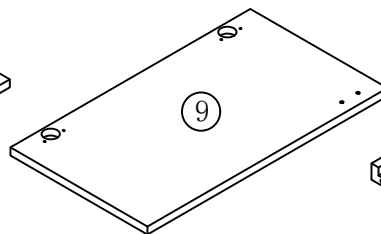
Qty: 1pc



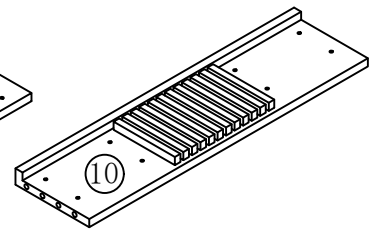
Qty: 1pc



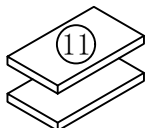
Qty: 1pc



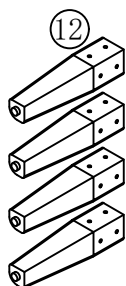
Qty: 1pc



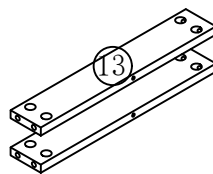
Qty: 1pc



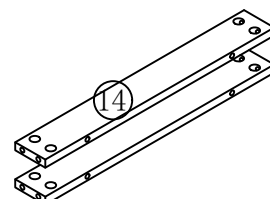
Qty: 2pcs



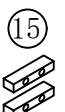
Qty: 4pcs



Qty: 2pcs



Qty: 2pcs

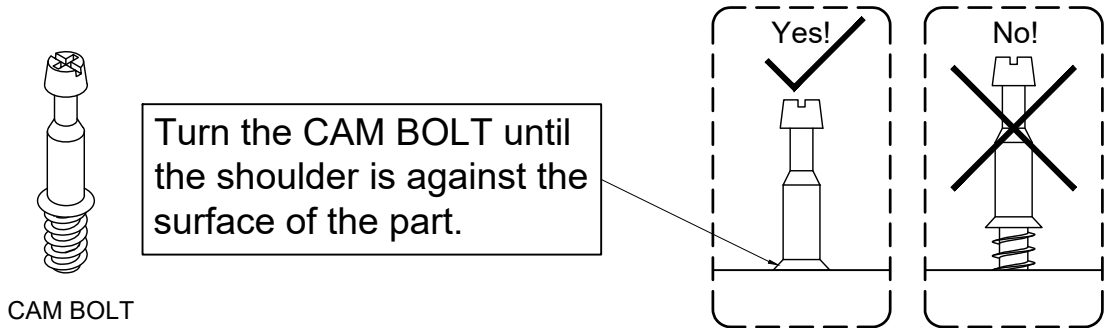


Qty: 2pcs

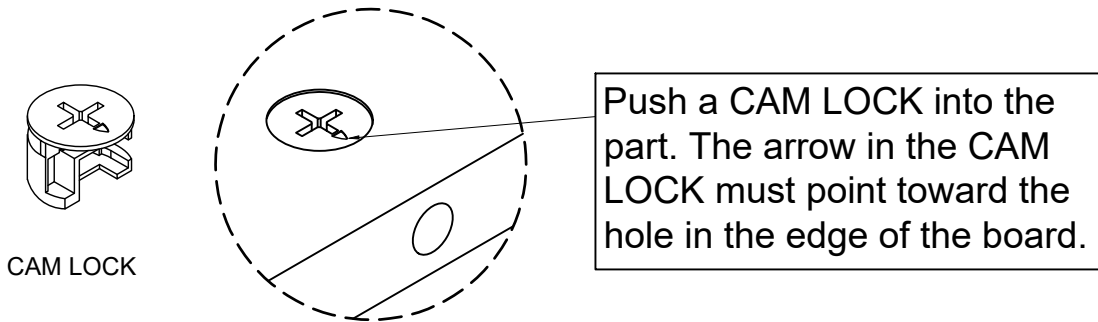
# Hardware Usage Guide

## How to Use Cam Locks and Cam Bolts

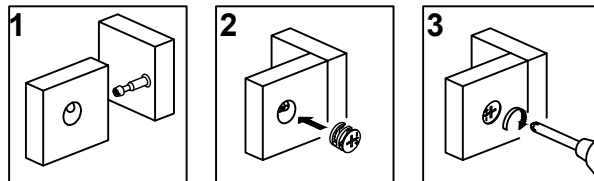
1. Note: Cam bolts and cam locks are used together to secure the panels.



2.


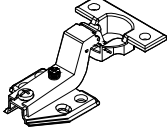
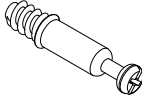

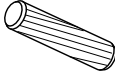
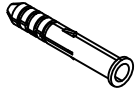
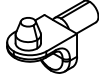
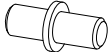
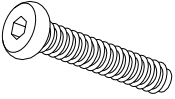

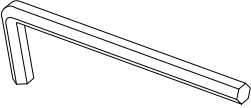
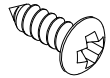

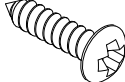
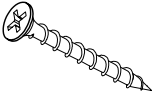

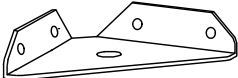


3. Insert the cam bolt into the cam lock, then tighten the cam lock to secure the connection.

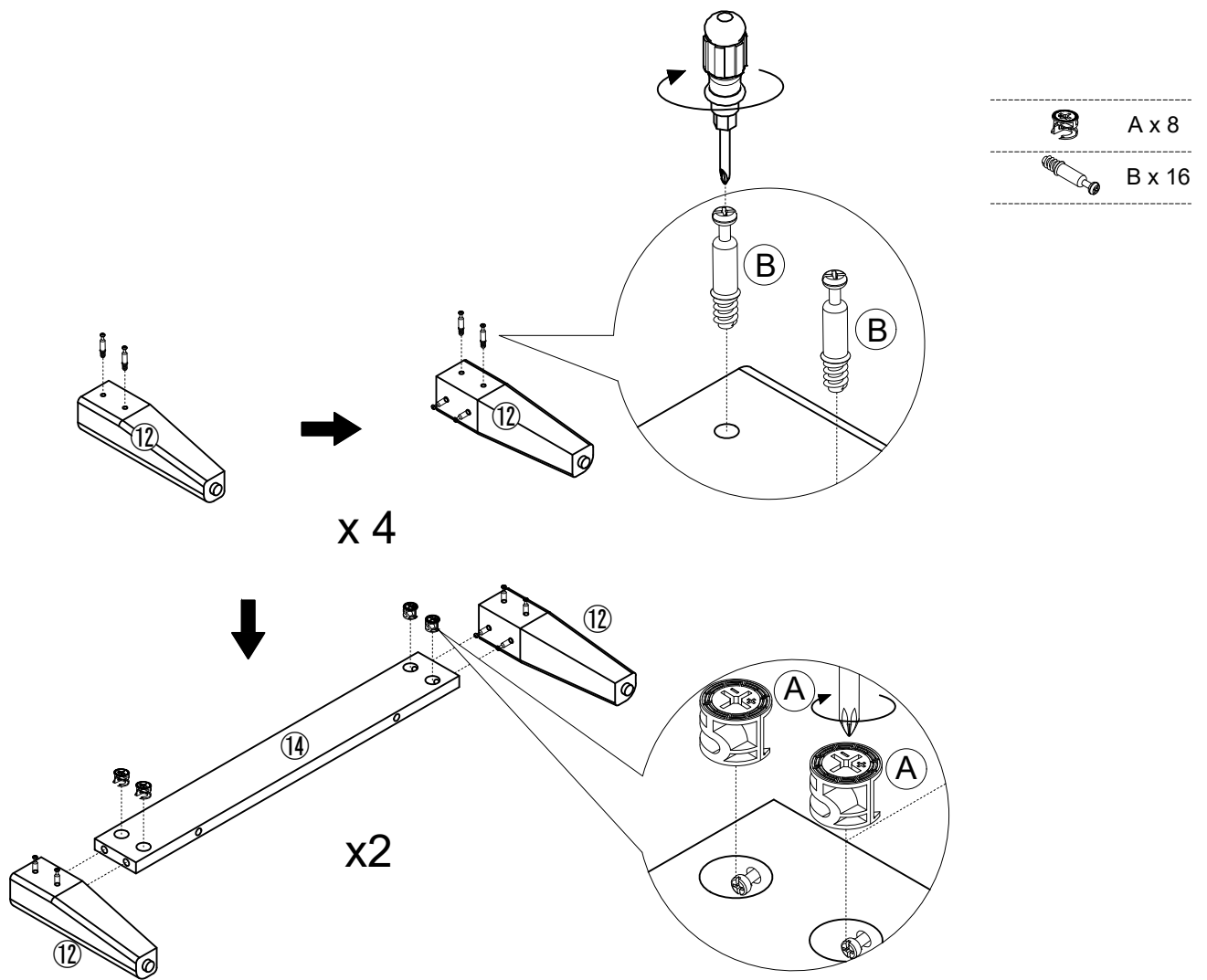


# Hardware List

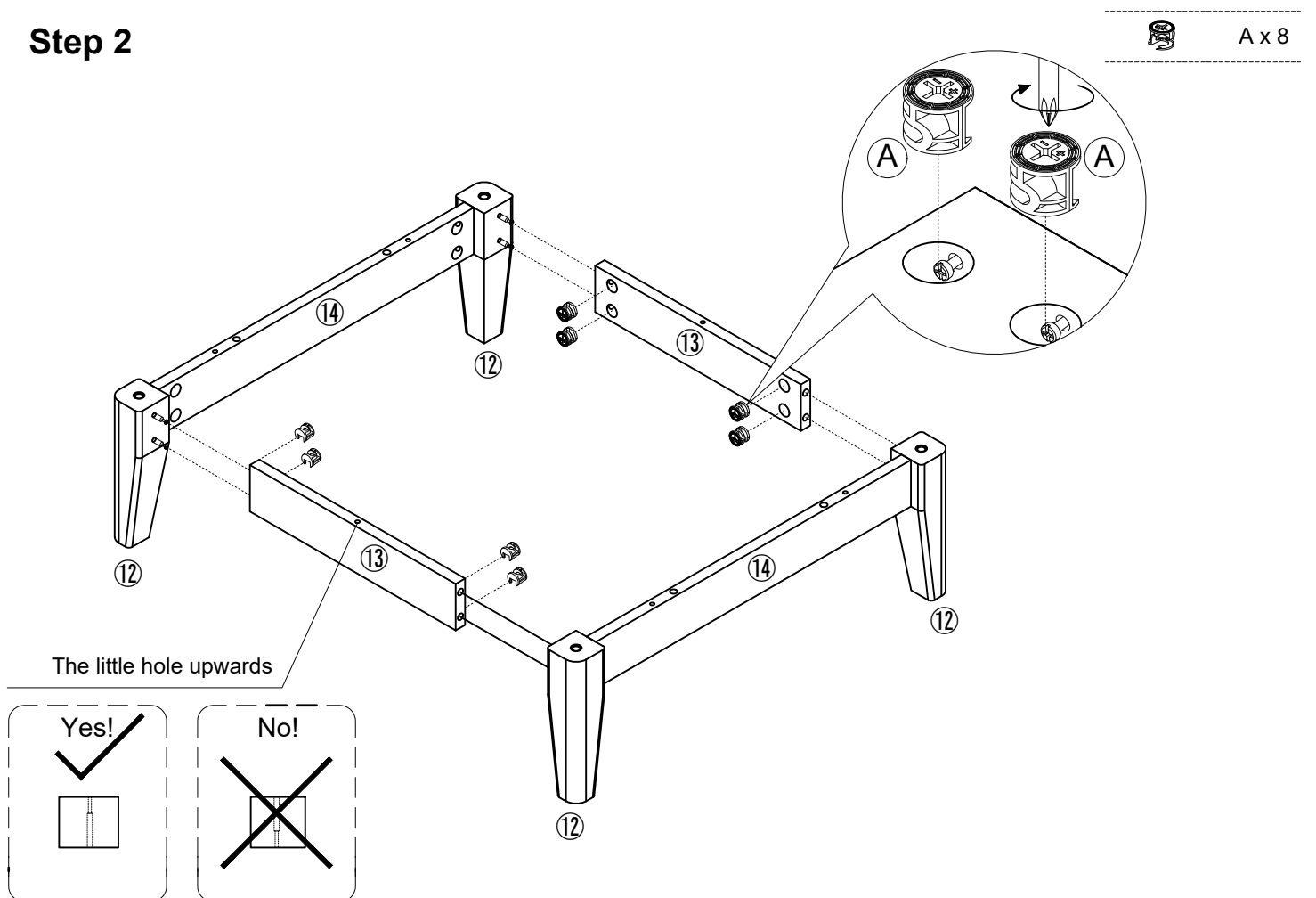
- Carefully remove all the parts from the carton and place them individually on a soft cloth to prevent scratches or other damage.
- Carefully and strictly follow these assembly&installation instructions to ensure a completed product as designed.
- Do not tighten all the screws until each part is properly assembled.

Item No.	Reference Image	Qty.	Item No.	Reference Image	Qty.
(A)	 Cam lock (Ø15 x 12 mm)	x23	(J)	 Hinge	x4
(B)	 Cam bolt (Ø6.5 x 34 mm)	x23	(K)	 Screw (Ø4 x 50 mm)	x2
(C)	 Wood dowel (Ø5 x 30 mm)	x22	(L)	 Plastic anchor (Ø4 x 40 mm)	x2
(D)	 Shelf support	x4	(M)	 Shelf pin	x2
(E)	 Bolt (Ø6 x25 mm)	x4	(N)	 Sticker	x35
(F)	 Allen key (M4)	x1	(O)	 Screw (Ø4 x 12 mm)	x16
(G)	 Screw (Ø4 x14 mm)	x24	(P)	 Screw (Ø4 x 25 mm)	x8
(H)	 Screw (Ø4 x 38 mm)	x20	(Q)	 Screw (Ø4 x 22 mm)	x4
(I)	 Bracket	x4			

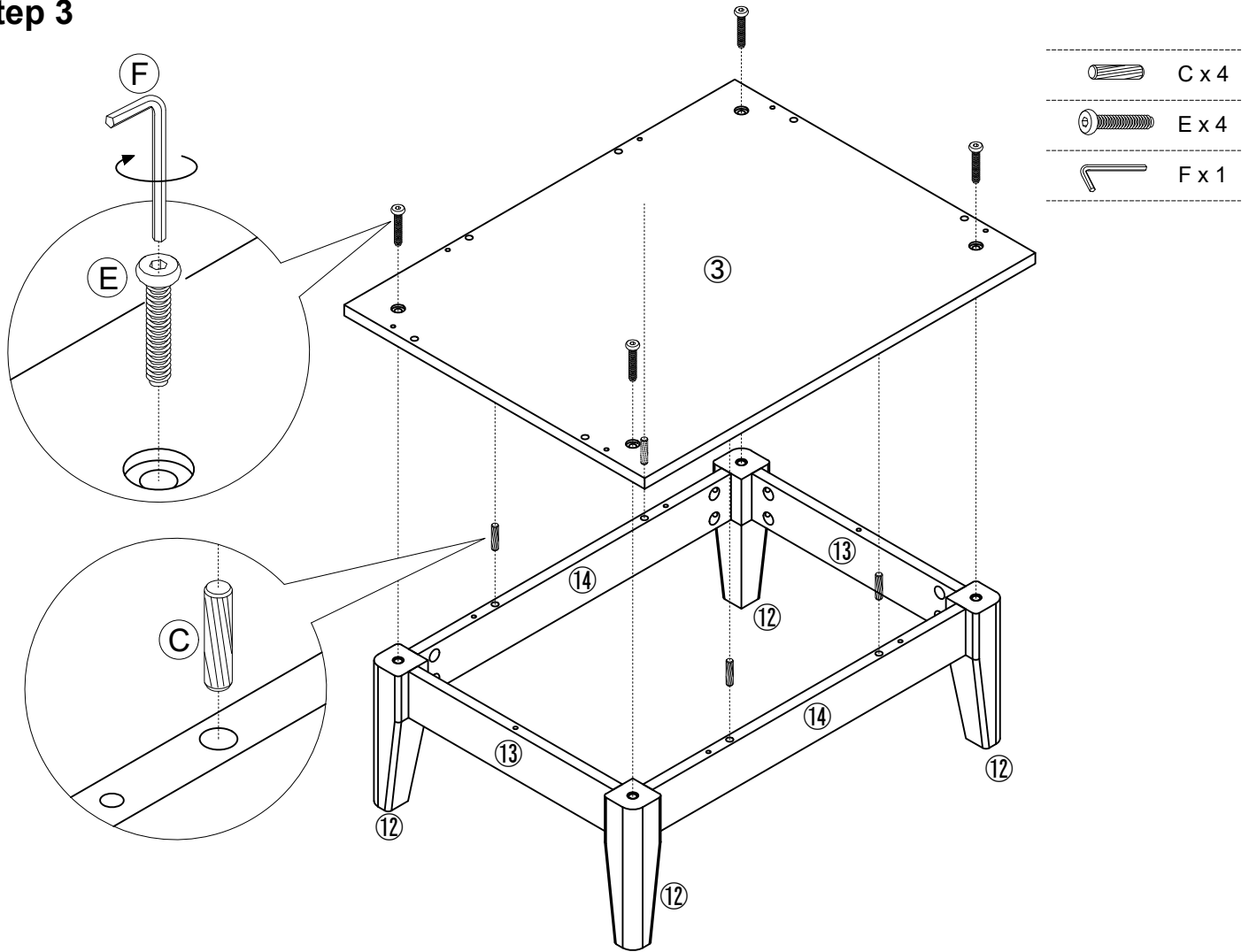
# Step 1



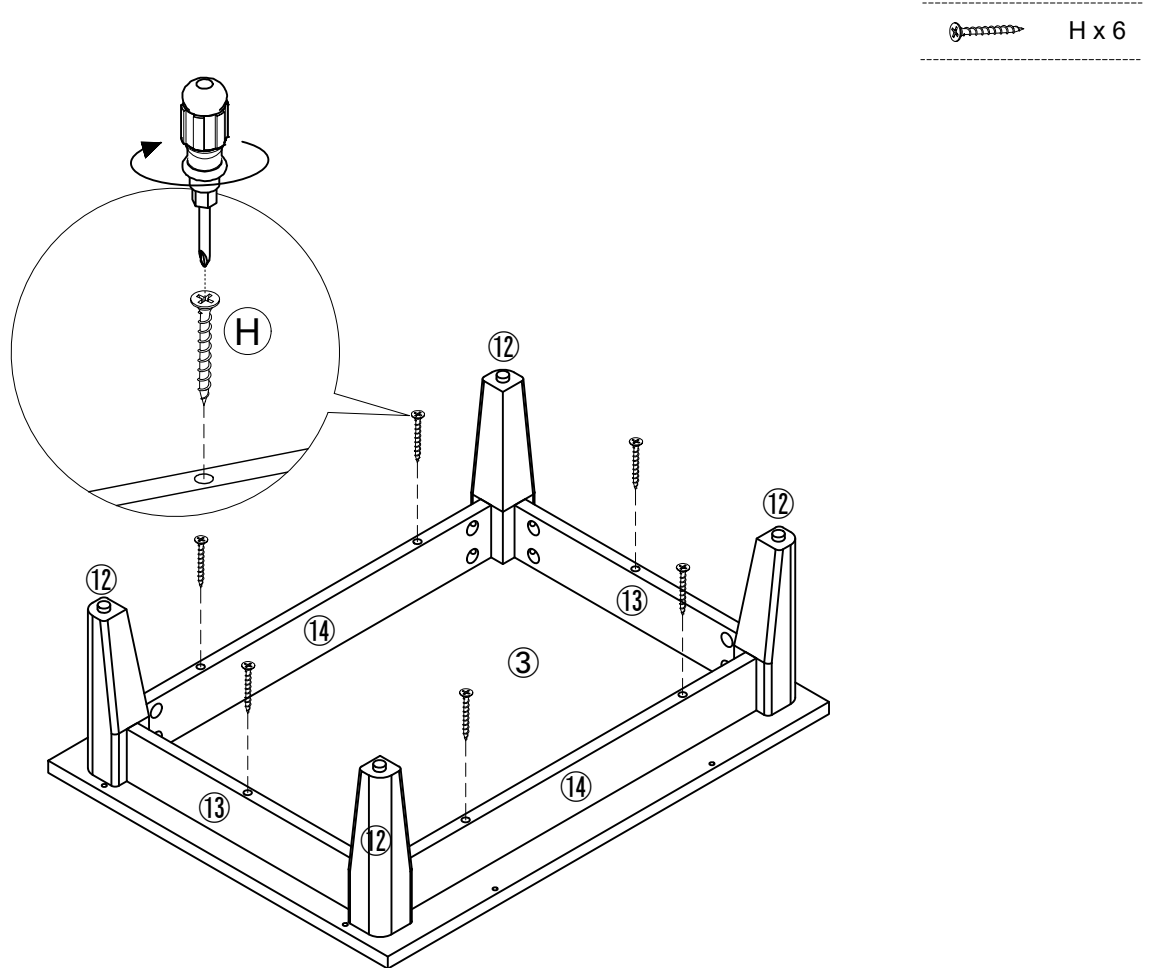
# Step 2



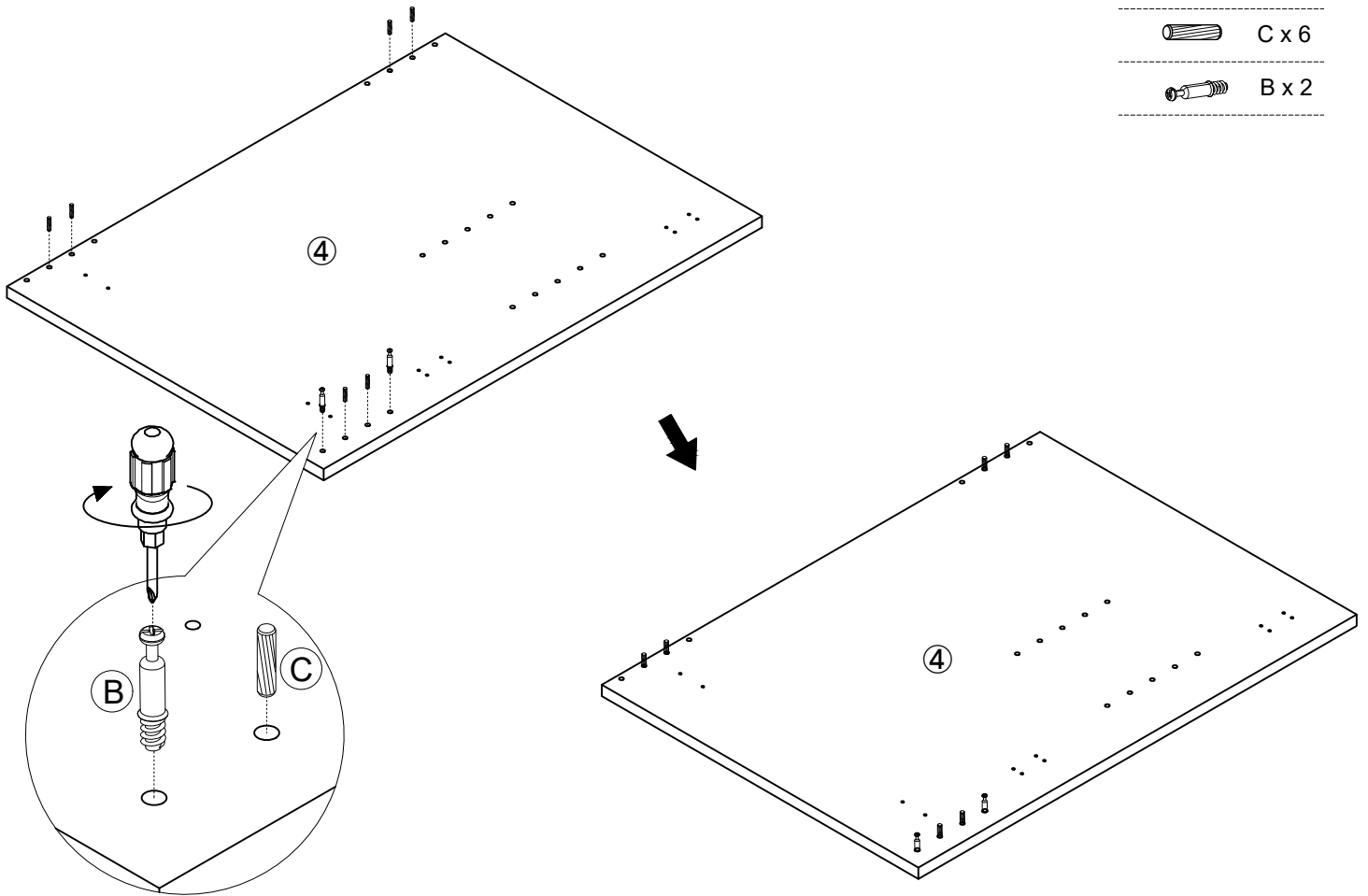
### Step 3



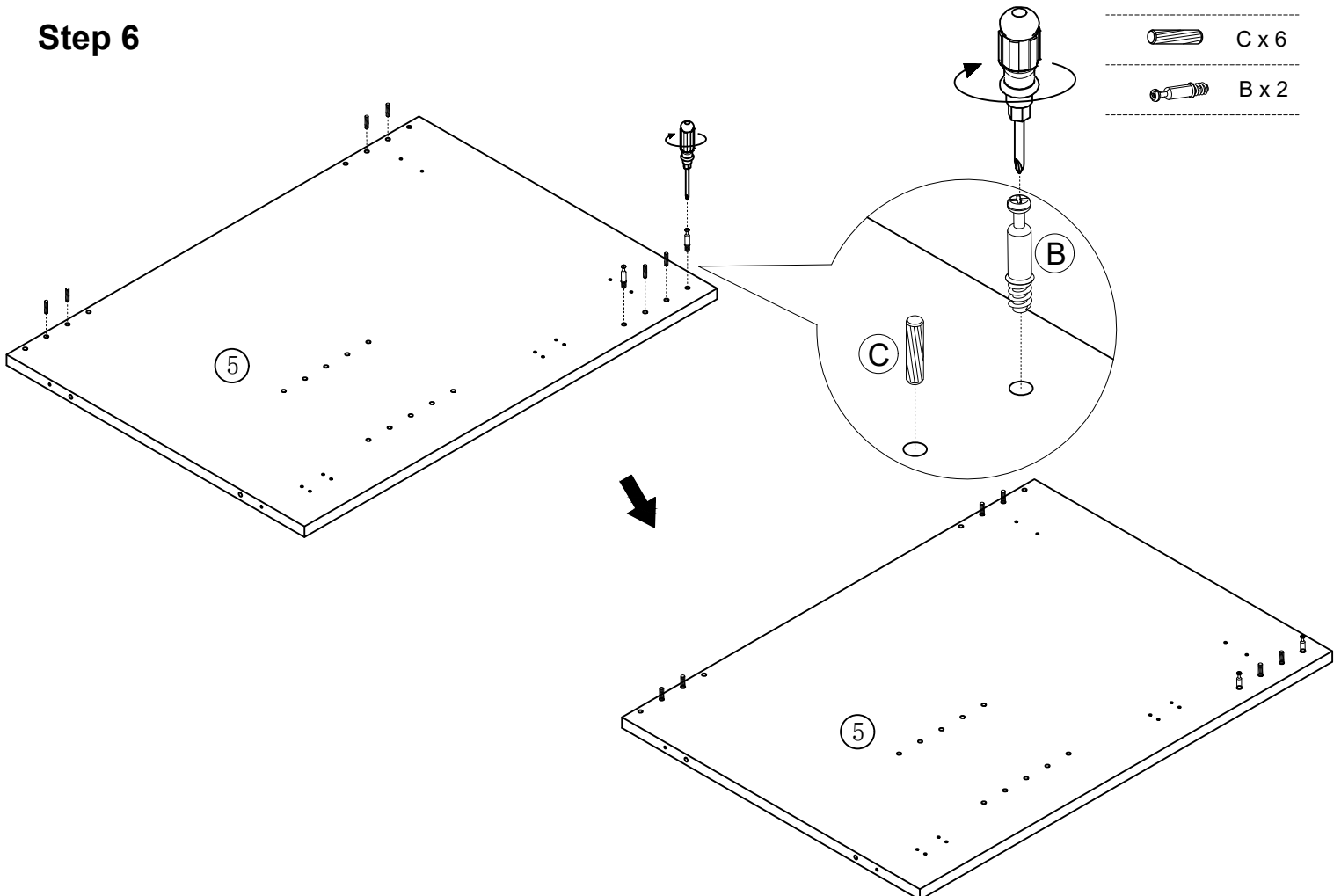
### Step 4



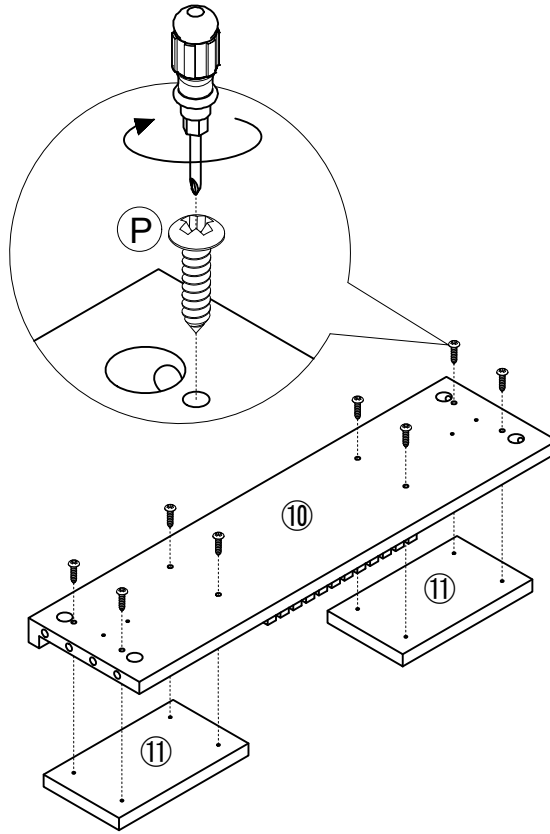
## Step 5



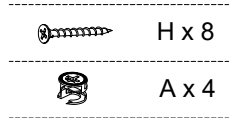
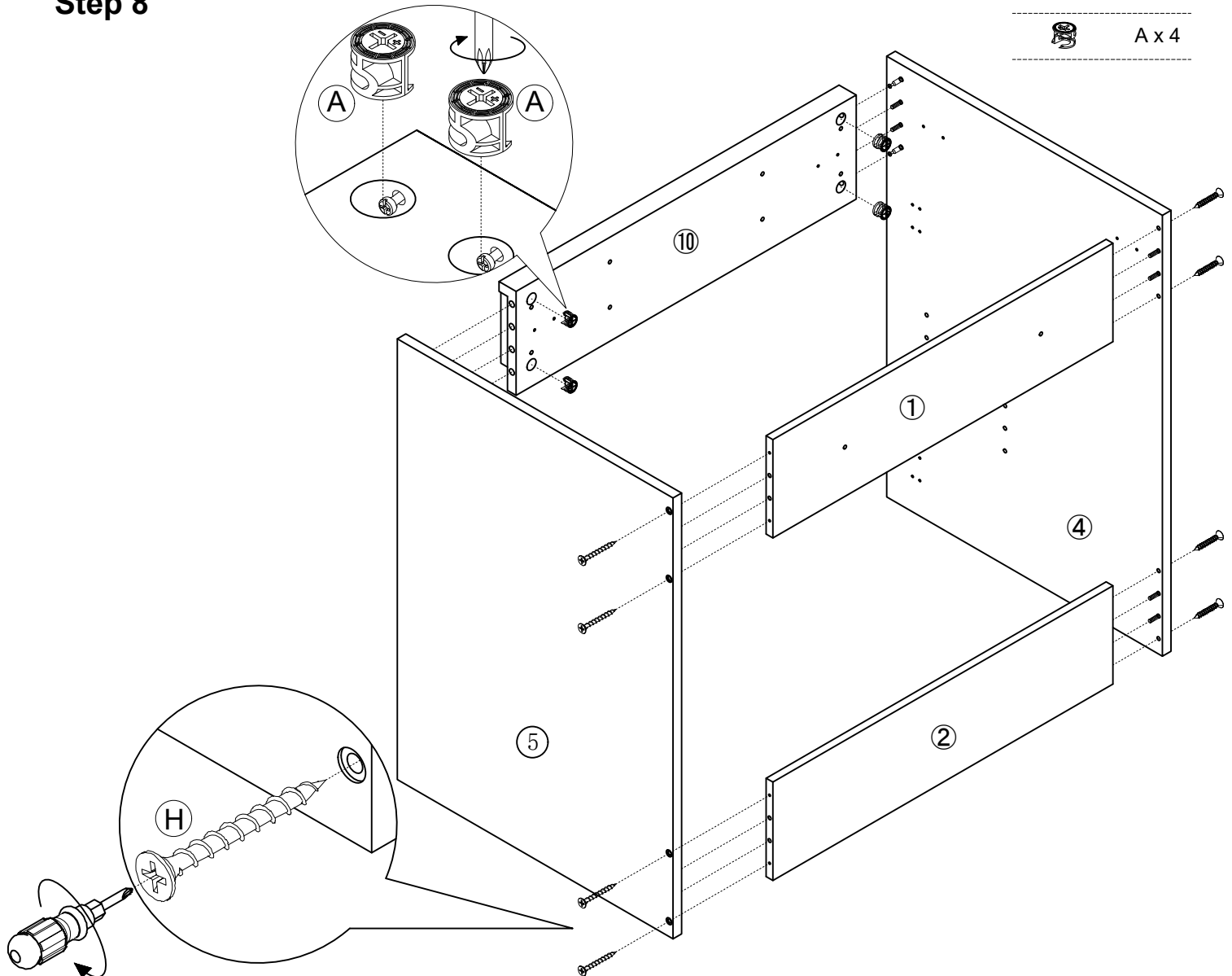
## Step 6



## Step 7

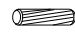


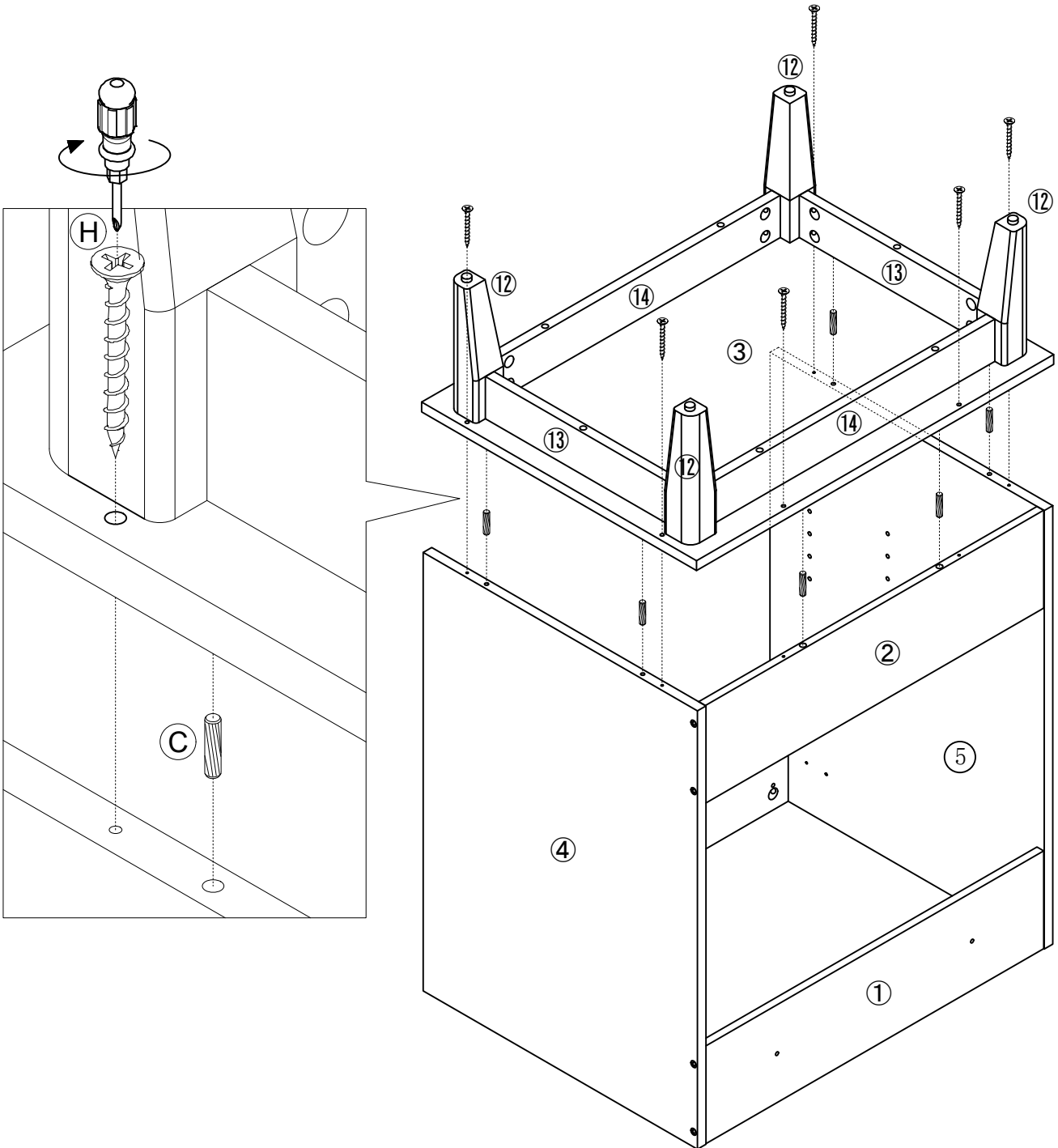
## Step 8





# Step 9

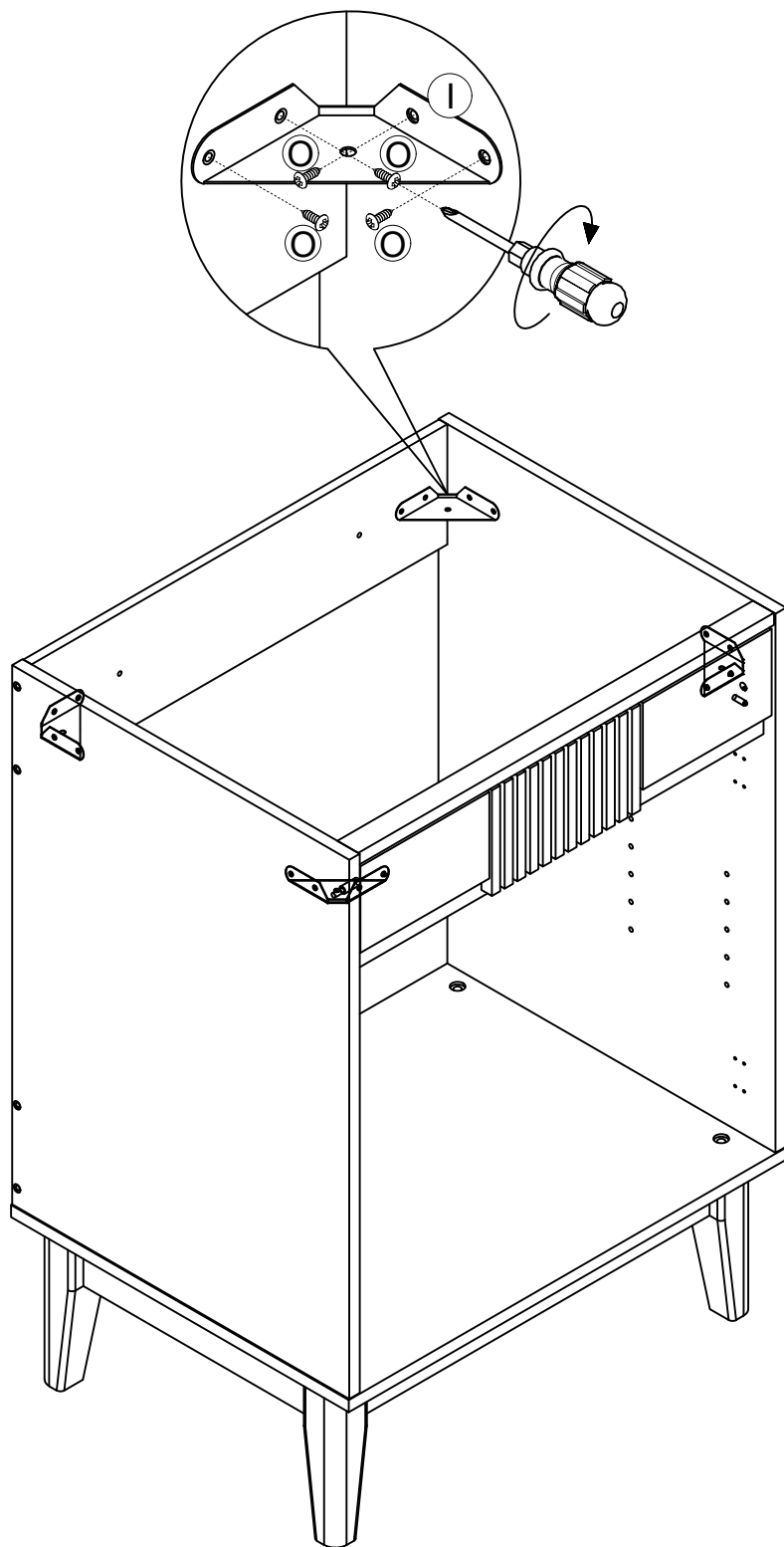
 H x 6

 C x 6



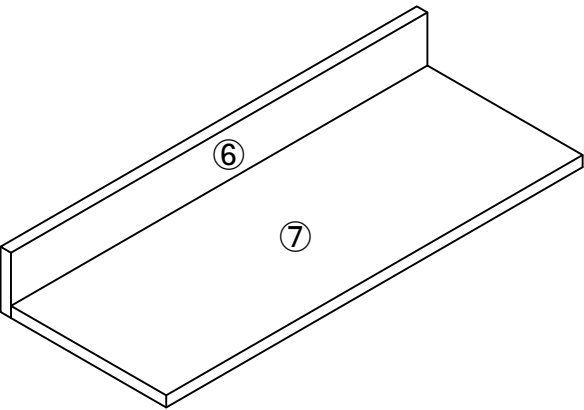
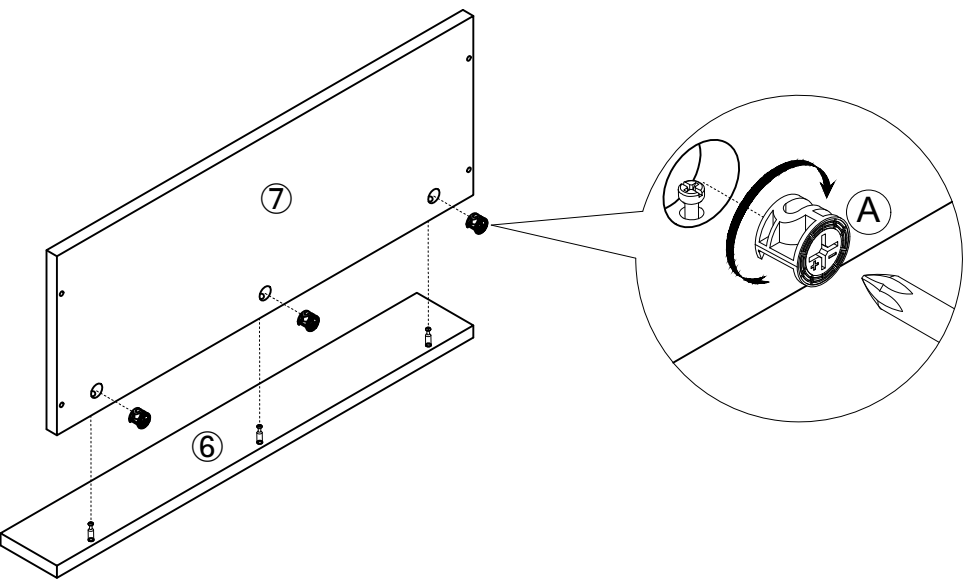
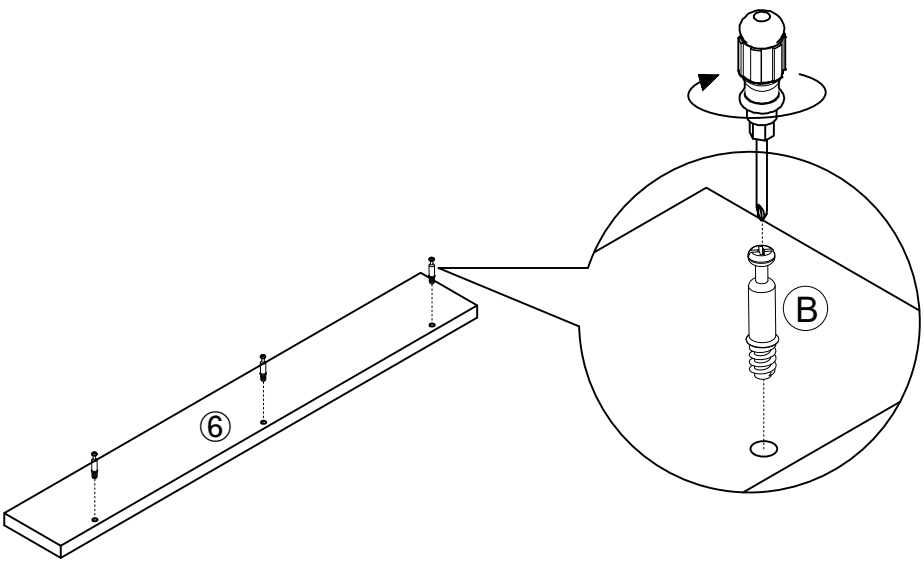
# Step 10

-  1 x 4
-  O x 16




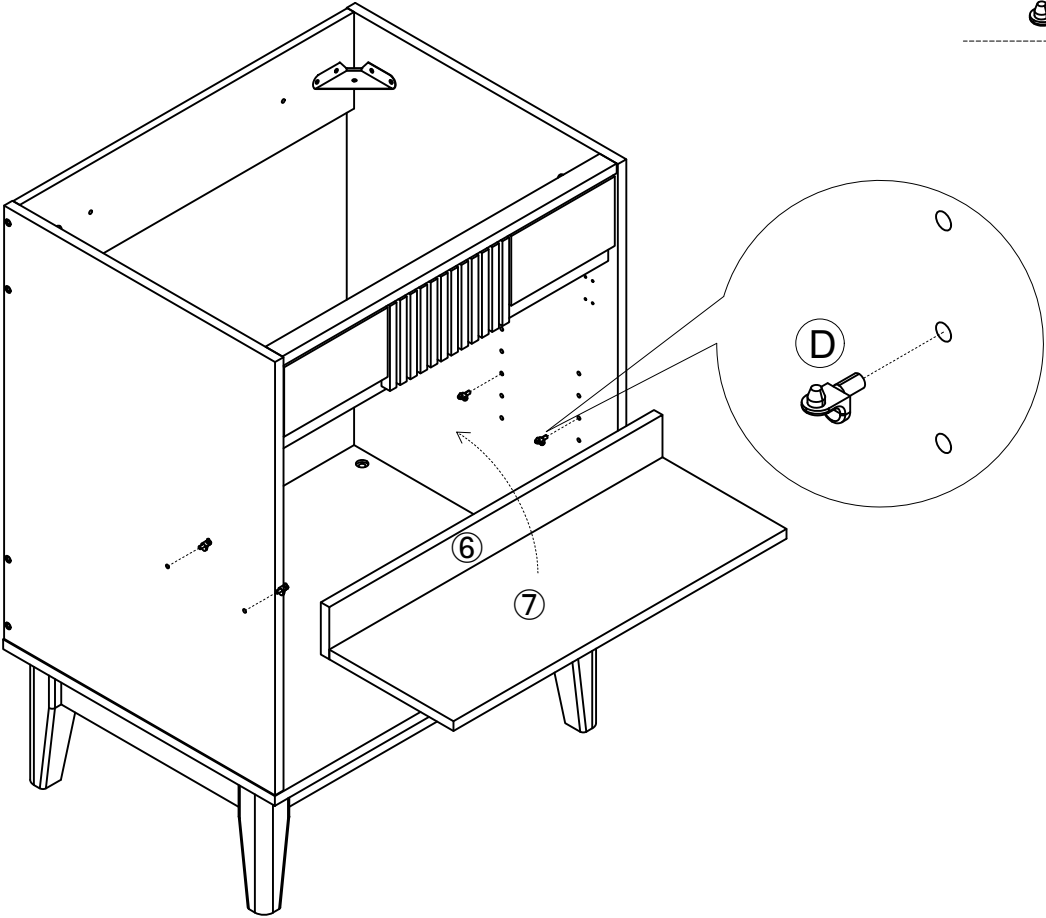
# Step 11

- A x 3
- B x 3



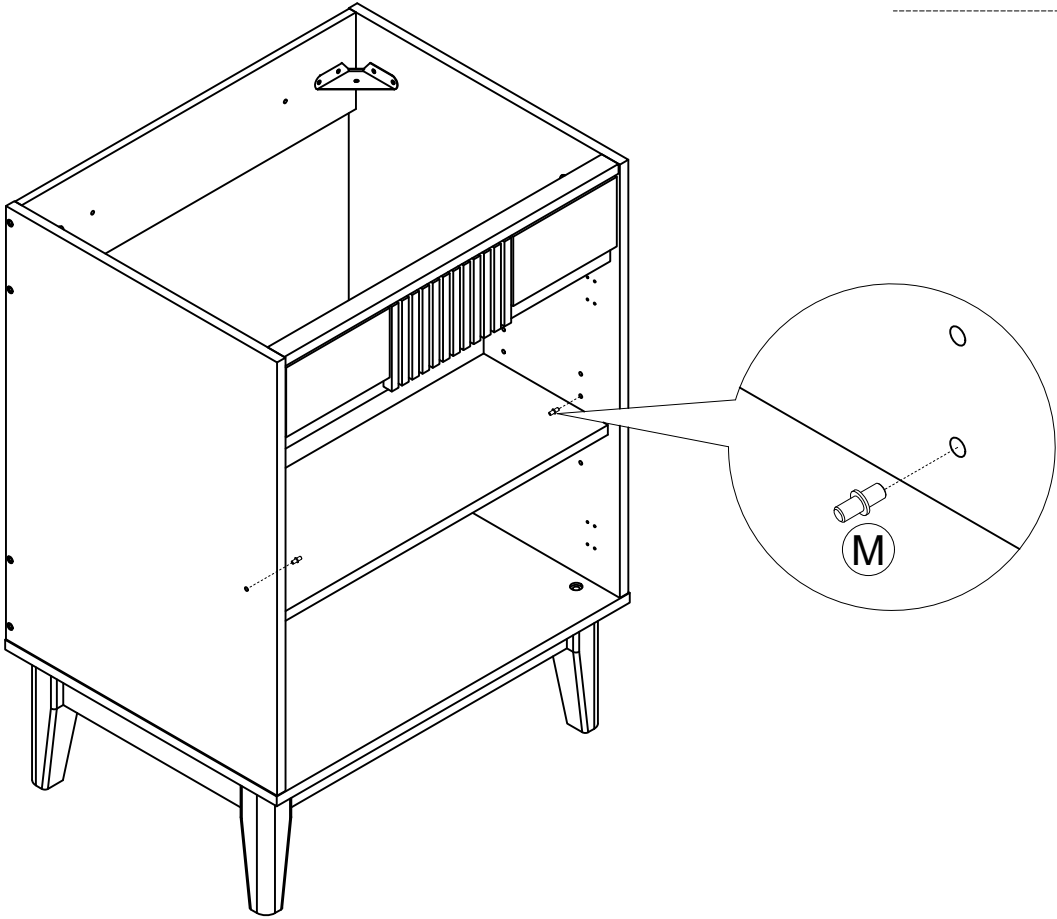
**Step 12**

 D x 4

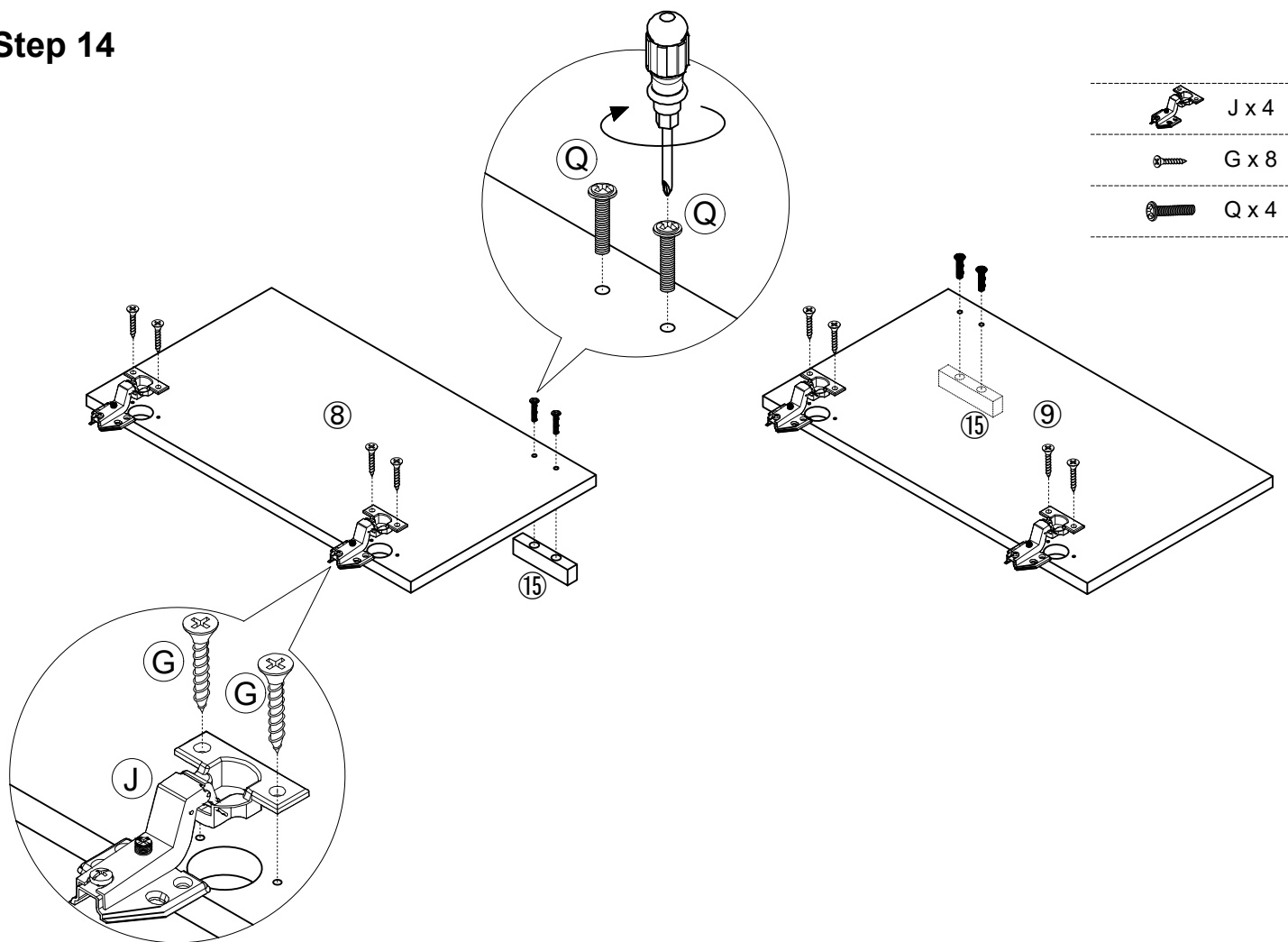


**Step 13**

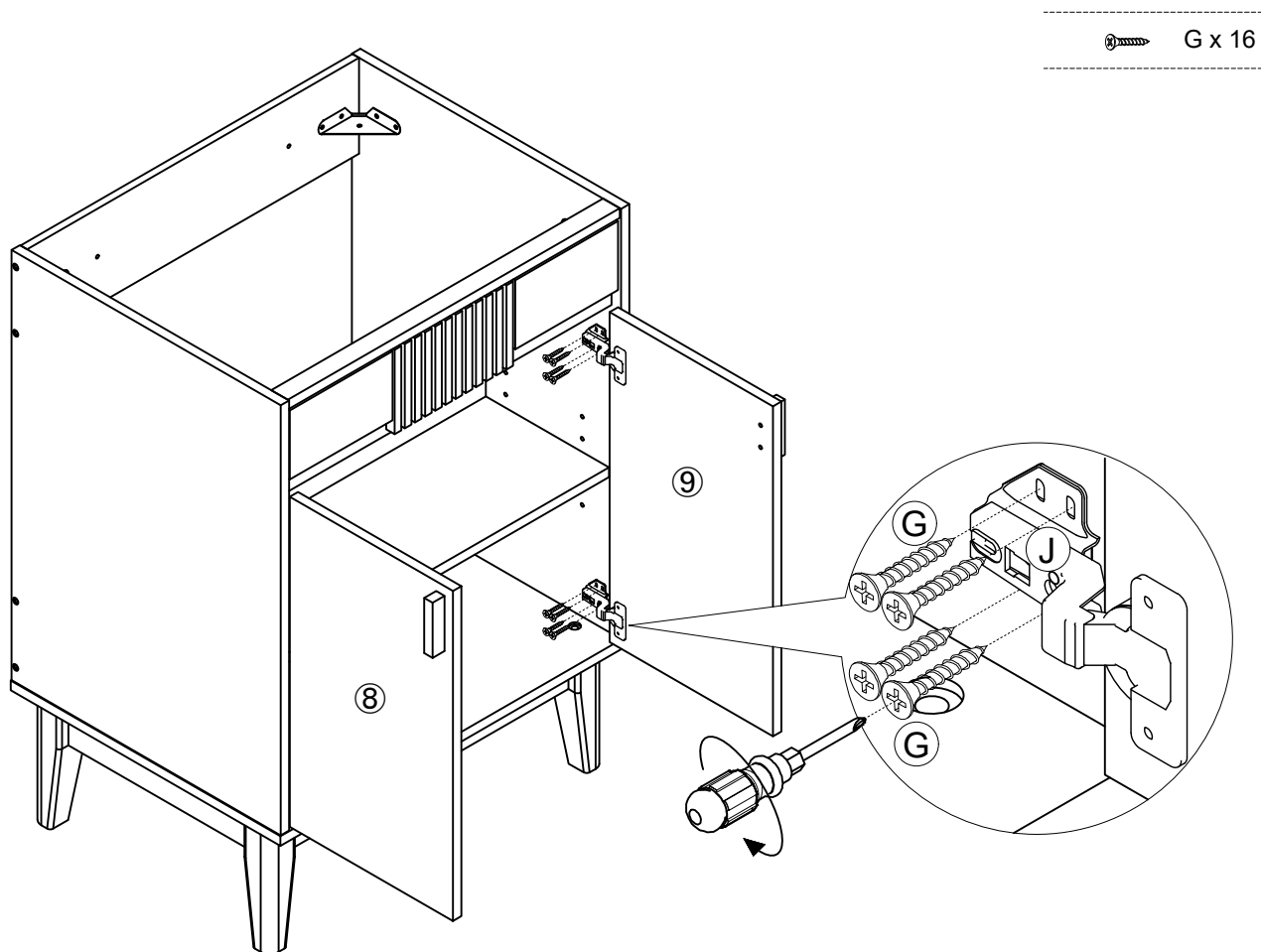
 M x 2



## Step 14



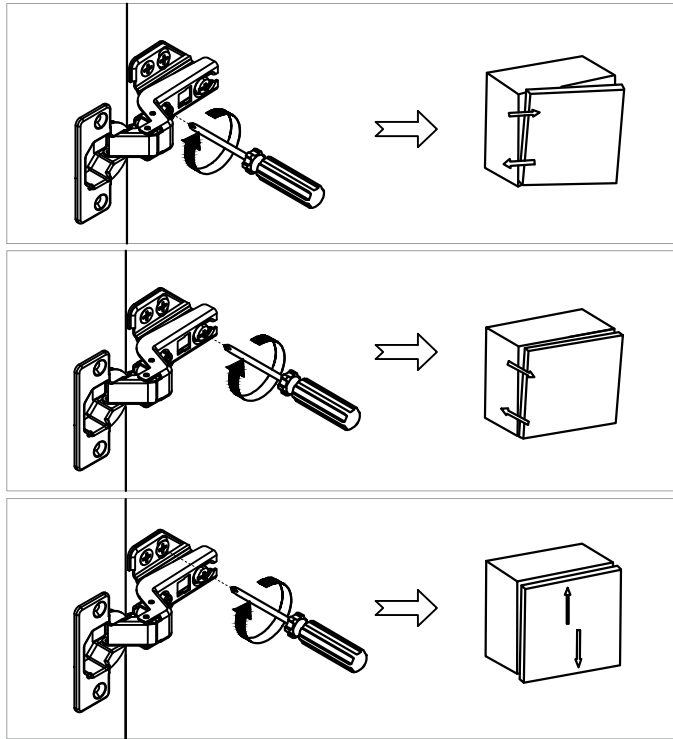
## Step 15




## Step 16

### OPTIONAL DOOR ADJUSTMENT

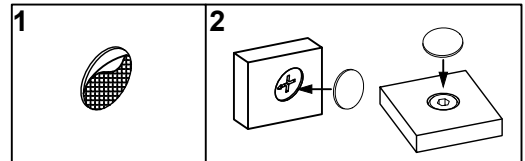
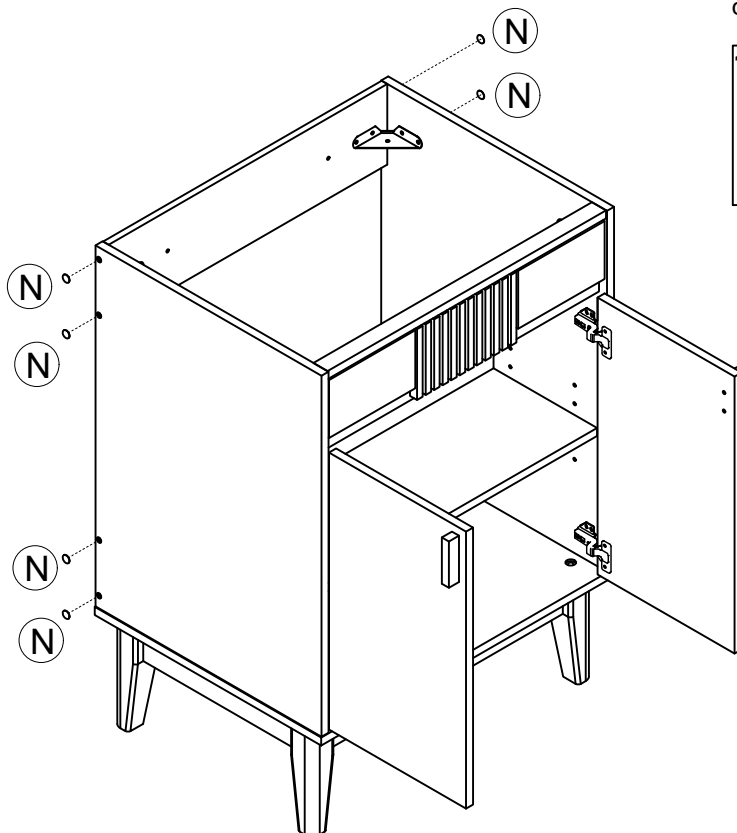
The cabinet doors have a three-way adjustment feature. Height, side-to-side, level and depth can be adjusted. With the hinge slightly closed you can access the middle screw for up/down adjustment. With the hinge fully extended you can access the front and back screws. These screws will move the door side to side and in & out.



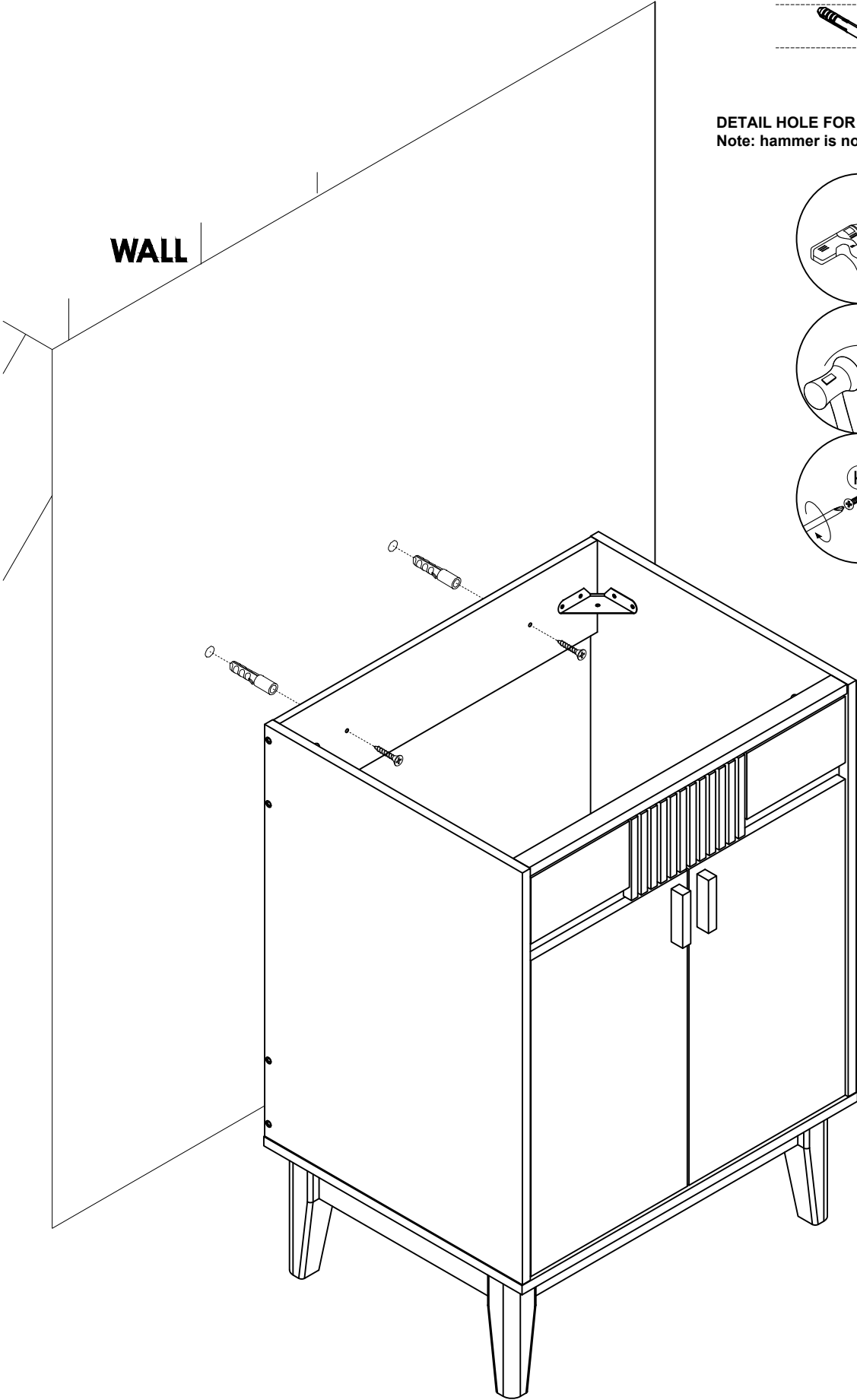
## Step 17

 N x 35

Use the stickers to cover all visible cam-lock and bolt holes.

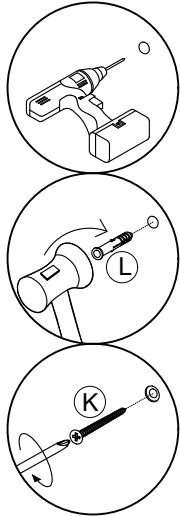


# Step 18



- K x 2
- L x 2

**DETAIL HOLE FOR WALL FIXING**  
Note: hammer is not included.



# **AFTER-SALES SERVICE CARD**

Thank you for choosing our product. We hope it brings convenience and enjoyment to your home. We guarantee that the product has undergone strict quality inspection and meticulous packaging. If you encounter any issue regarding either shipping or the product, please feel free to contact us at any time. We'd be more than happy to serve you wholeheartedly.

Yours Sincerely.

- Please avoid harsh, corrosive and abrasive cleaners.