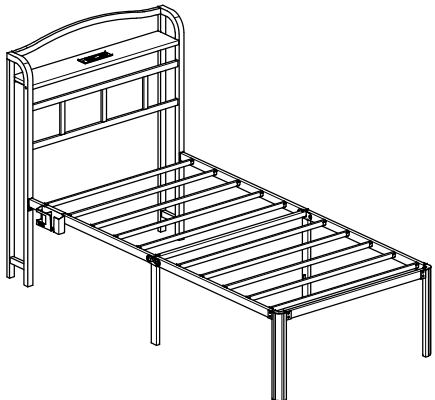


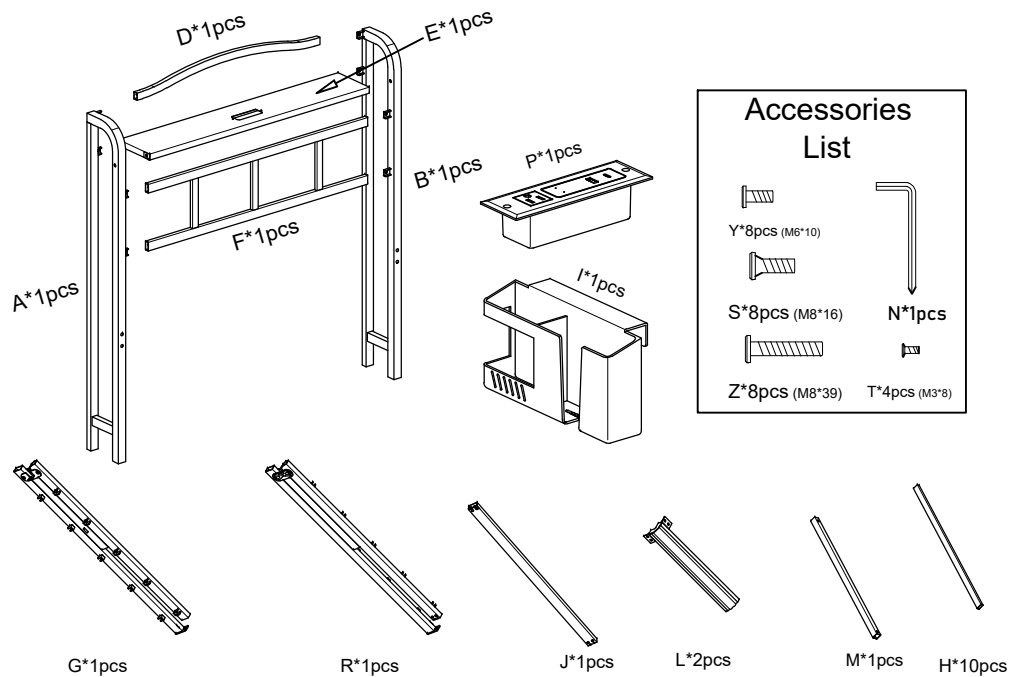
Construction of bedside table setting

SIZE: Twin/XL Twin

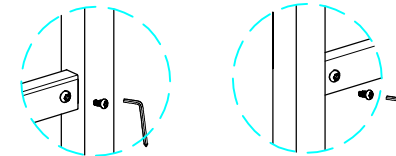
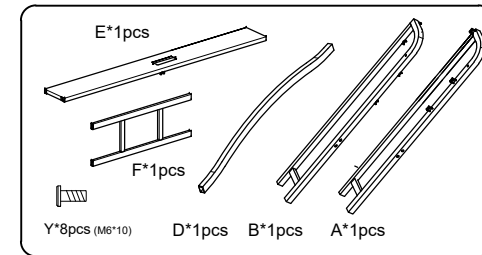
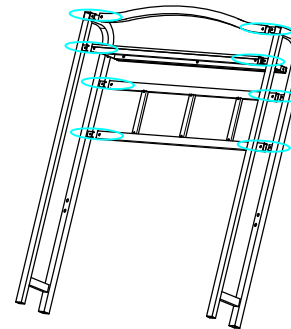
If you have any questions about the product, please don't hesitate to contact us.



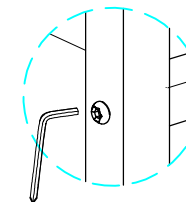
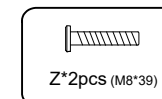
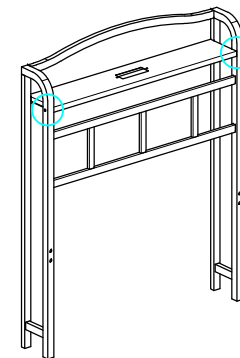
Component composition



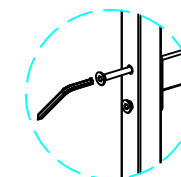
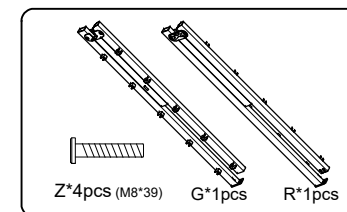
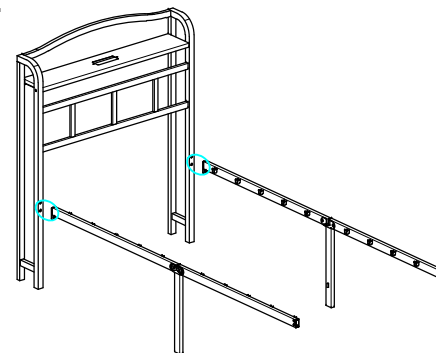
Step1:



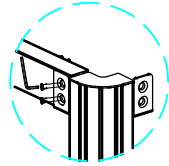
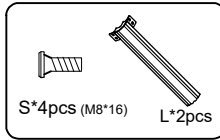
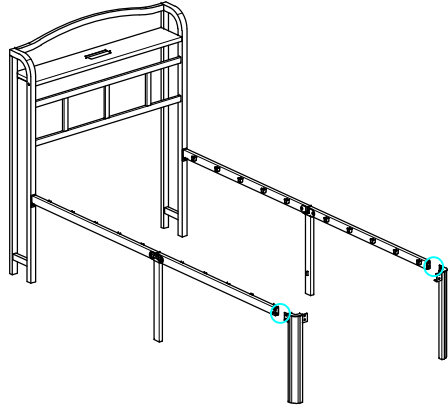
Step2:



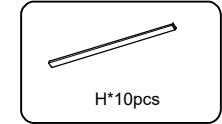
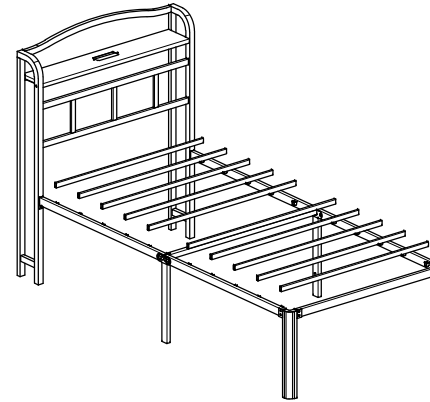
Step3:



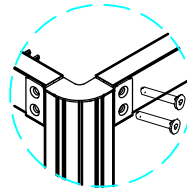
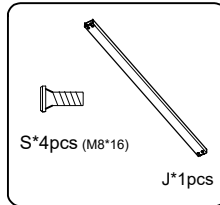
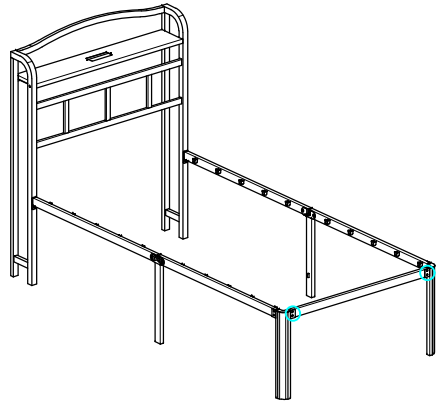
Step4:



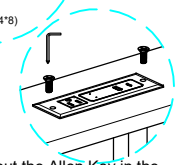
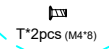
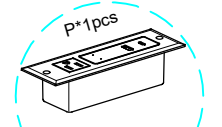
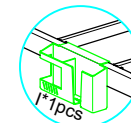
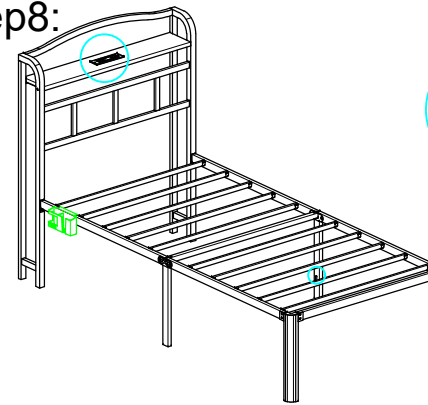
Step7:



Step5:



Step8:



After installation, you can put the Allen Key in the middle foot of the fixed position, easy to use the next time.

Step6:

