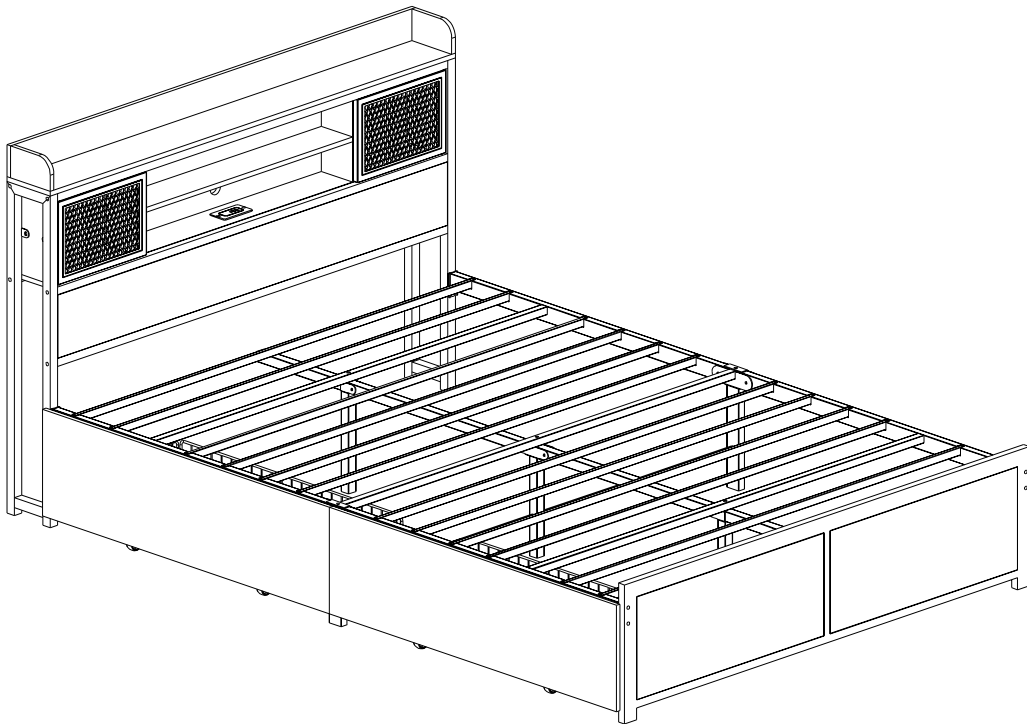


ASSEMBLY INSTRUCTION

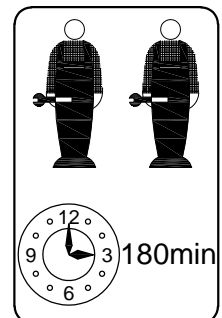
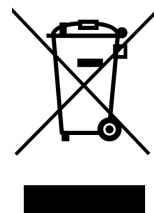
Item Number:N604P283041B / N604P283042B

This set comes in 2 boxes. If you do not receive a full 2 boxes, please contact our customer service.

Metal Bed:135*190cm



**UK
CA**



English

IMPORTANT ! KEEP FOR FUTURE REFERENCE : READ CAREFULLY

- To be assembled by an adult. Assembly must be checked by an adult before use
- WARNING ! Keep all screws, small parts and plastic bags out of the reach of children
- Properly identify all parts before assembling
- Never use your item if any of its parts are broken or missing
- Should any problems arise, please contact our After Sales Service
- Manufacturer's instructions shall be followed at all times
- Care: Clean with a soft, dry cloth. In case of larger stains, carefully rub with a slightly damp, non-abrasive sponge
- Avoid the risk of fire by not placing furniture near sources of ignition or hot items
- Do not jump on the bed

Deutsch

WICHTIG ! ZUM SPÄTEREN NACHSCHLAGEN AUFBEWAHREN: SORGFÄLTIG LESEN

- Muss von einem Erwachsenen zusammengebaut werden. Der Zusammenbau muss vor dem Gebrauch von einem Erwachsenen überprüft werden
- WARNUNG! Bewahren Sie alle Schrauben, Kleinteile und Plastikbeutel außerhalb der Reichweite von Kindern auf
- Kennzeichnen Sie vor dem Zusammenbau alle Teile richtig
- Benutzen Sie Ihren Artikel niemals, wenn Teile gebrochen sind oder fehlen
- Sollten Probleme auftreten, wenden Sie sich bitte an unseren Kundendienst
- Die Anweisungen des Herstellers sind stets zu befolgen
- Pflege: Mit einem weichen, trockenen Tuch reinigen. Bei größeren Flecken vorsichtig mit einem leicht feuchten, nicht scheuernden Schwamm abreiben. nicht scheuernden Schwamm
- Vermeiden Sie die Gefahr eines Brandes, indem Sie die Möbel nicht in der Nähe von Zündquellen oder heißen Gegenständen aufstellen
- Nicht auf das Bett springen

Français

IMPORTANT ! CONSERVER POUR RÉFÉRENCE ULTÉRIEURE : LIRE ATTENTIVEMENT

- Le montage doit être effectué par un adulte. Le montage doit être vérifié par un adulte avant Utilisation
- ATTENTION ! Tenir les vis, les petites pièces et les sachets en plastique hors de portée des enfants
- Identifiez correctement toutes les pièces avant de les assembler
- N'utilisez jamais votre article si l'une de ses pièces est cassée ou manquante
- En cas de problème, veuillez contacter notre service après-vente
- Les instructions du fabricant doivent être respectées à tout moment
- Entretien : nettoyer avec un chiffon doux et sec. En cas de taches plus importantes, frotter soigneusement avec une éponge non abrasive légèrement humide. légèrement humide et non Abrasive
- Évitez les risques d'incendie en ne plaçant pas les meubles à proximité de sources d'inflammation ou d'objets chauds
- Ne pas sauter sur le lit

Italiano

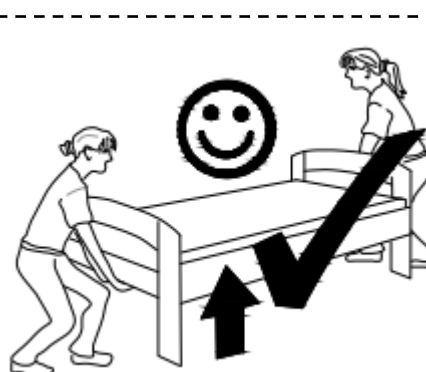
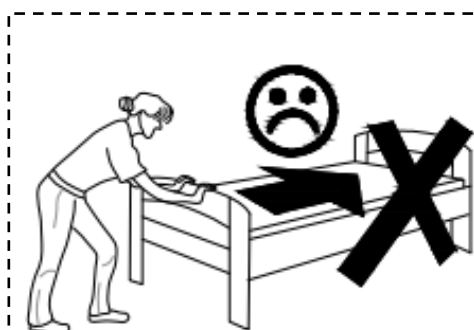
IMPORTANTE! CONSERVARE PER RIFERIMENTO FUTURO: LEGGERE ATTENTAMENTE

- Deve essere assemblato da un adulto. L'assemblaggio deve essere controllato da un adulto prima dell'uso
- **ATTENZIONE!** Tenere tutte le viti, le piccole parti e i sacchetti di plastica fuori dalla portata dei bambini
- Identificare correttamente tutte le parti prima dell'assemblaggio
- Non utilizzare mai l'articolo se alcune parti sono rotte o mancanti
- In caso di problemi, si prega di contattare il nostro Servizio Post Vendita
- Le istruzioni del produttore devono essere sempre seguite
- Cura: Pulire con un panno morbido e asciutto. In caso di macchie più estese, strofinare accuratamente con una spugna leggermente umida e nonspugna leggermente umida e non abrasiva
- Evitare il rischio di incendio, non collocando i mobili vicino a fonti di accensione o a oggetti caldi
- Non saltare sul letto

Español

¡ IMPORTANTE ! CONSERVELO PARA FUTURAS CONSULTAS: LEA ATENTAMENTE

- Debe ser montado por un adulto. El montaje debe ser comprobado por un adulto antes del uso
- ADVERTENCIA Mantenga todos los tornillos, piezas pequeñas y bolsas de plástico fuera del alcance de los niños.
- Identifique correctamente todas las piezas antes de montarlas
 - Nunca utilice su artículo si alguna de sus piezas está rota o falta
 - Si surge algún problema, póngase en contacto con nuestro Servicio Postventa
 - Las instrucciones del fabricante deben seguirse en todo momento
 - Cuidado: Limpiar con un paño suave y seco. En caso de manchas más grandes, frote cuidadosamente con una esponja no abrasiva ligeramente humedecida.
 - Evite el riesgo de incendio no colocando los muebles cerca de fuentes de ignición u objetos calientes.
 - No saltar sobre la cama.



INSTRUCTIONS

IMPORTANT-READ CAREFULLY-RETAIN FOR FUTURE REFERENCE

- a) **WARNING** -Children can become trapped between the bed and the wall, the adjoining pieces of furniture (e.g. cupboards) and the like. To avoid risk of serious injury the distance between the safety barrier and the adjoining structure shall not exceed 90 mm or shall be more than 230 mm.
- b) **WARNING**-Do not use the bed if any structural part is broken or missing; Replacement parts are between requested from the manufacturer or the store.
- c) **WARNING**-Do not climb or wiggle on any non-designated structures.
- d) it is imperative to always follow the installation instructions and manufacturer's use.
- e) **The recommended size of the mattress to be used with the bed is 190cmx135cm, maximum thickness mattress:15cm.**
- f) It is necessary to ventilate the room in order to maintain a low level moisture and prevent mold growth in the bed and its periphery.
- g) Joining devices should always be tightened properly and regularly verified. Tighten if necessary.



DE: Vor dem Einbau die Schrauben in die Löcher stecken und festziehen, aber nicht bis 100%, 70% bis 80% anziehen reicht aus. Schließlich, nachdem alle Schrauben installiert sind, ziehen Sie alle Schrauben auf 100%.

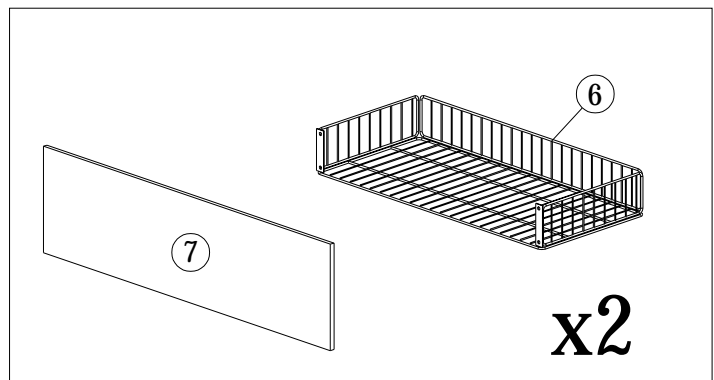
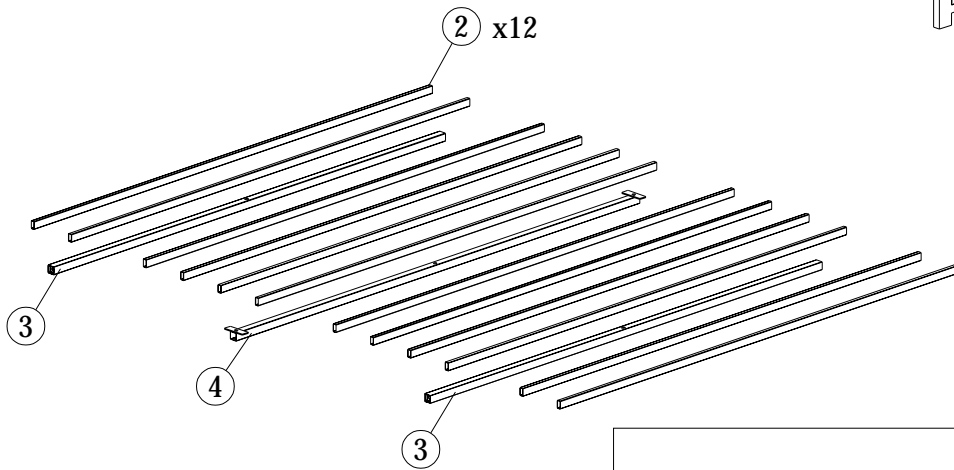
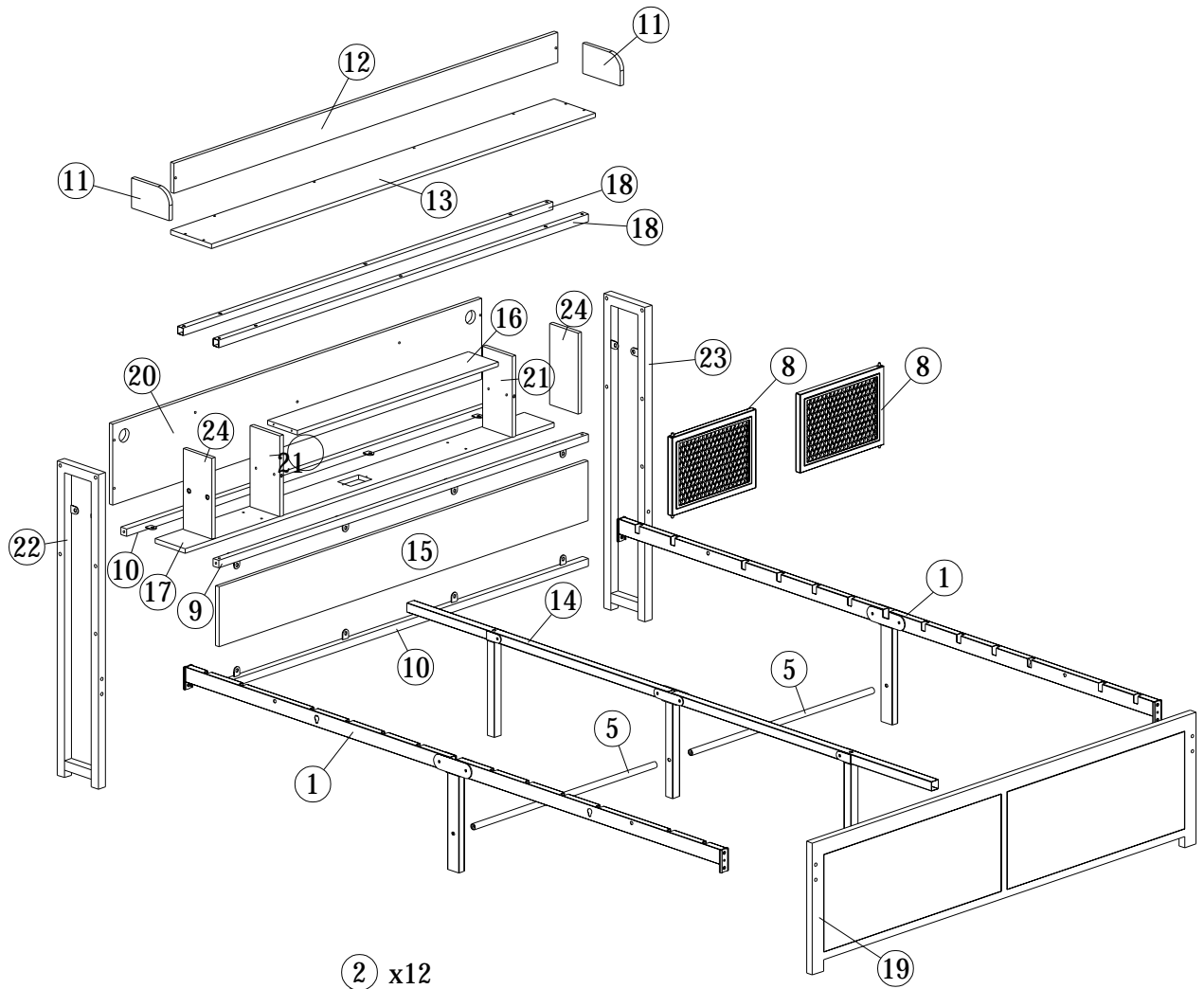
Wenn Sie auf diese Probleme stoßen, wie z. B. Fehlausrichtung der Löcher oder Unfähigkeit, bestimmte Teile zu installieren, überprüfen Sie bitte, ob die Schrauben korrekt verwendet werden und passen Sie die Dichtigkeit der Schrauben an.

UK: Before installation, insert the screws into the holes and tighten them, but do not tighten them to 100%, 70% to 80% is sufficient. Finally, after all screws are installed, tighten all screws to 100%.

If you encounter these issues, such as if the holes cannot be aligned or some parts cannot be installed, please check if the screws are used correctly and adjust the tightness of the screws.


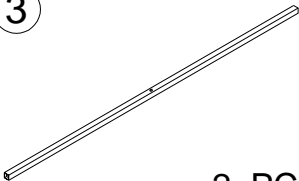
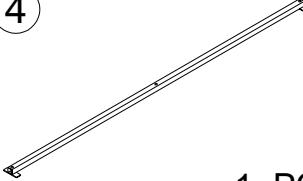
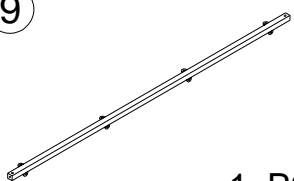
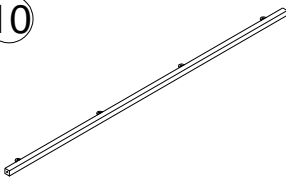
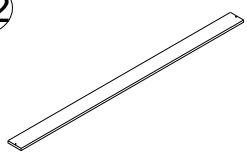
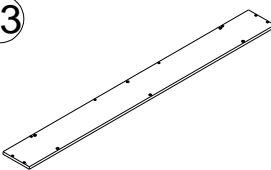
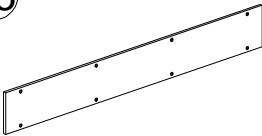
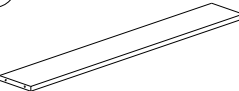
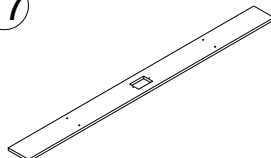
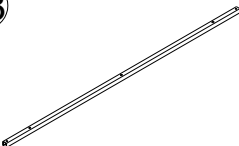
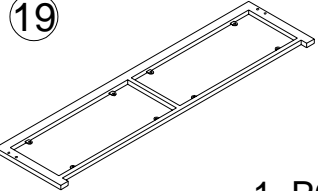
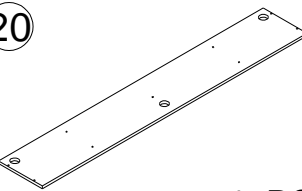
FR: Insérer la vis dans le trou avant la fin de l'assemblage, serrer la vis, mais ne pas serrer à 100%, 70% ~ 80% est correct. Enfin, une fois que toutes les vis sont bien serrées, toutes les vis sont serrées à 100%.

Si vous rencontrez ces problèmes, par exemple si les trous ne sont pas alignés ou si certaines pièces ne peuvent pas être montées, vérifiez que les vis sont utilisées correctement et Ajustez leur serrage.

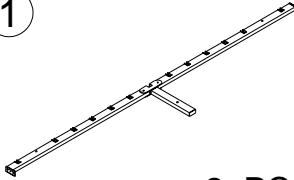
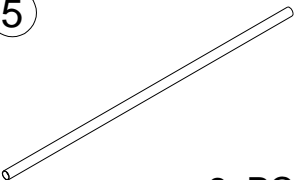
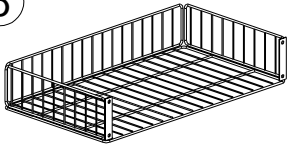
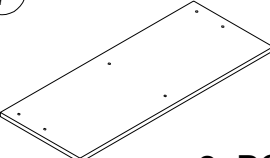
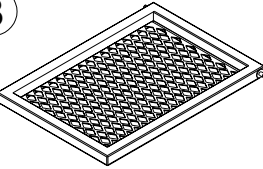
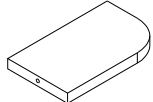
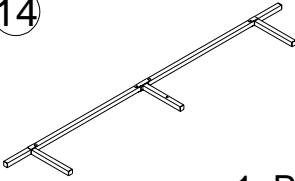
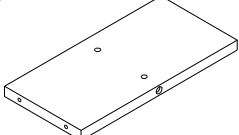
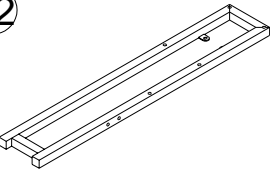
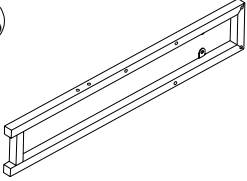
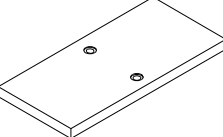


PARTS LIST

N604P283041B



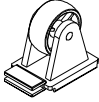

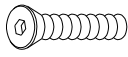

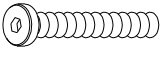
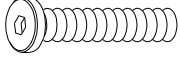
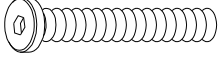
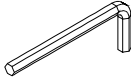
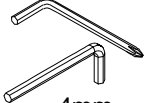

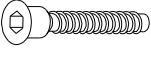
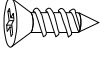
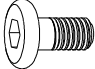
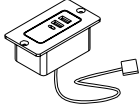
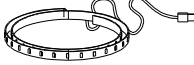
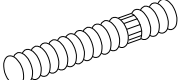

<p>②</p>  <p>12 PCS</p>	<p>③</p>  <p>2 PCS</p>	<p>④</p>  <p>1 PC</p>	<p>⑨</p>  <p>1 PC</p>
<p>⑩</p>  <p>2 PCS</p>	<p>⑫</p>  <p>1 PC</p>	<p>⑬</p>  <p>1 PC</p>	<p>⑮</p>  <p>1 PC</p>
<p>⑯</p>  <p>1 PC</p>	<p>⑰</p>  <p>1 PC</p>	<p>⑱</p>  <p>2 PCS</p>	<p>⑲</p>  <p>1 PC</p>
<p>⑳</p>  <p>1 PC</p>			

N604P283042B

<p>①</p>  <p>2 PCS</p>	<p>⑤</p>  <p>2 PCS</p>	<p>⑥</p>  <p>2 PCS</p>	<p>⑦</p>  <p>2 PCS</p>
<p>⑧</p>  <p>2 PCS</p>	<p>⑪</p>  <p>2 PCS</p>	<p>⑭</p>  <p>1 PC</p>	<p>⑳</p>  <p>2 PCS</p>
<p>㉒</p>  <p>1 PC</p>	<p>㉓</p>  <p>1 PC</p>	<p>㉔</p>  <p>2 PCS</p>	

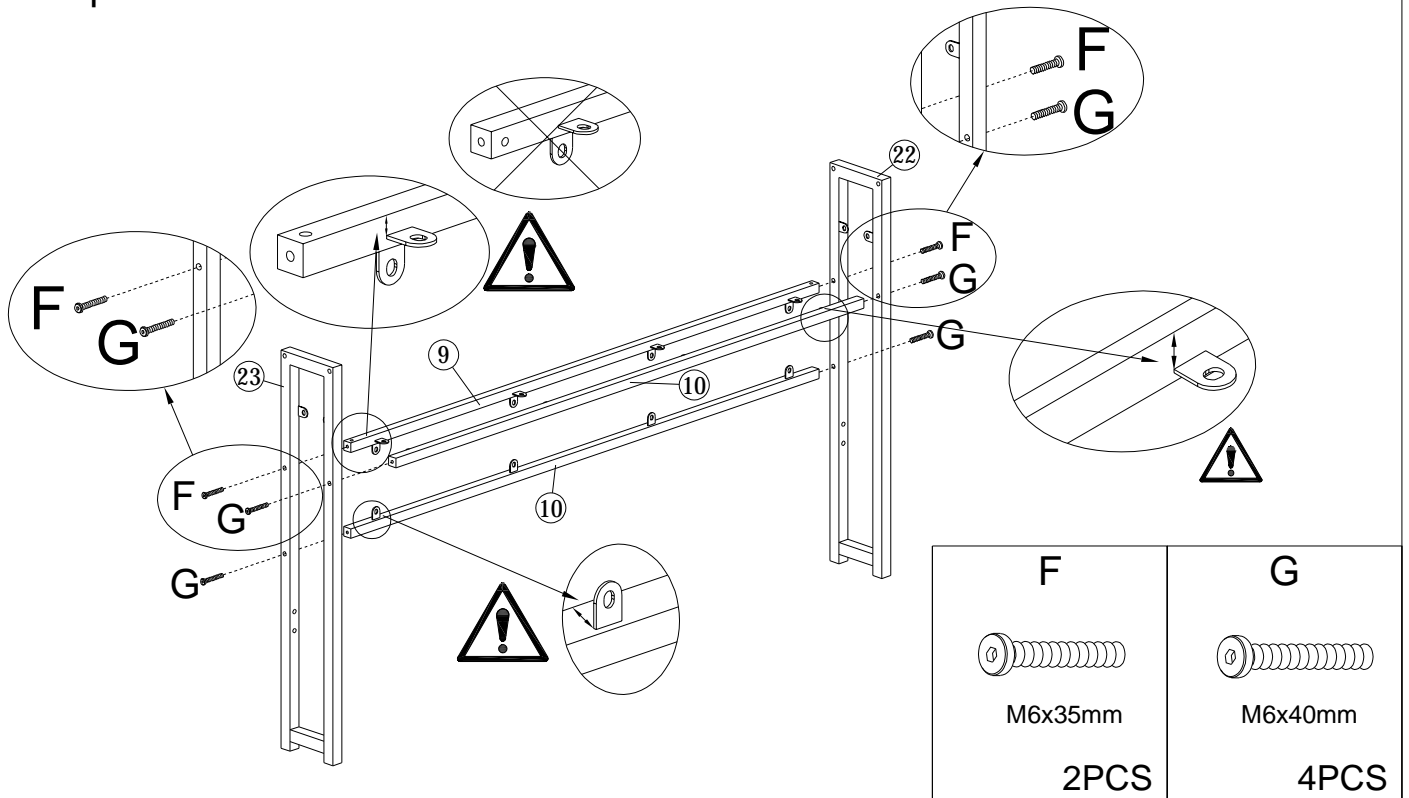
PARTS LIST

Hardware Liste N604P283042B

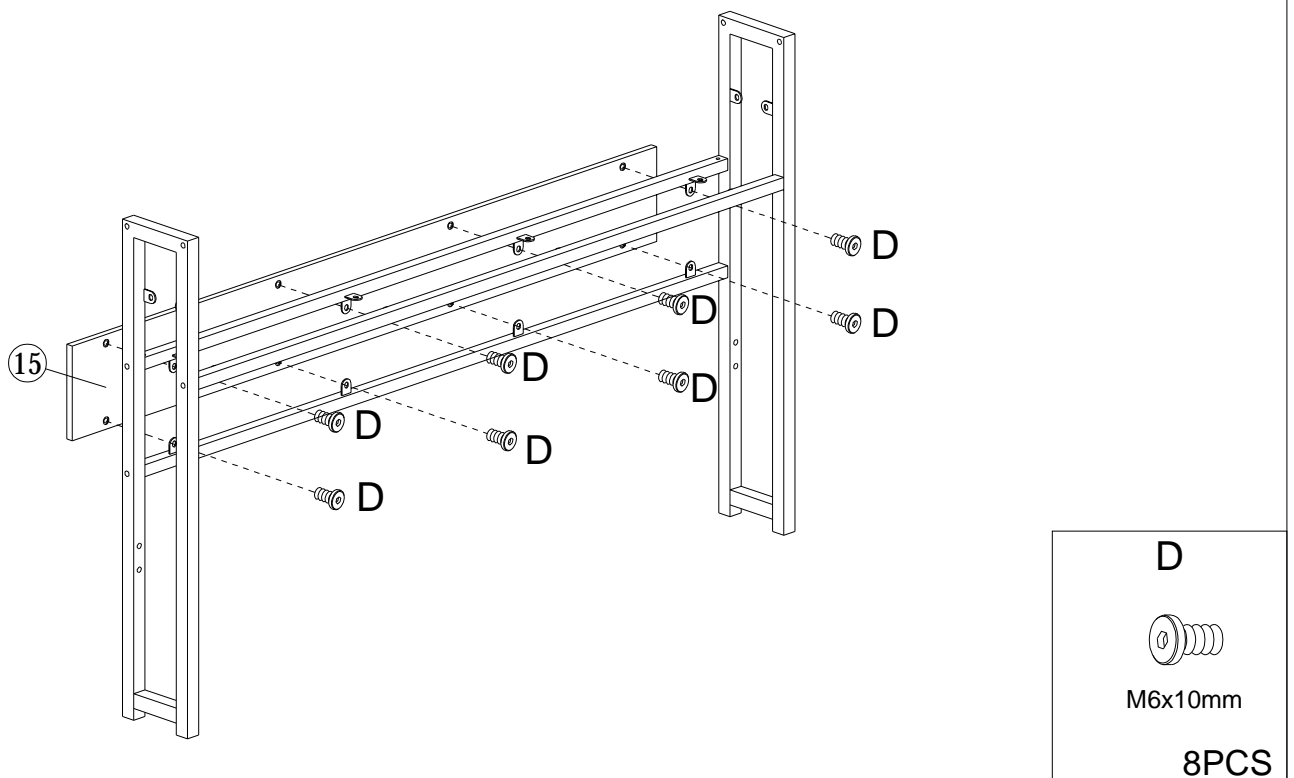
<p>A</p>  <p>4PCS</p>	<p>B</p>  <p>2PCS</p>	<p>C</p>  <p>8PCS</p>	<p>D</p>  <p>M6x10mm</p> <p>30PCS+2</p>	<p>E</p>  <p>M6x25mm</p> <p>6PCS+1</p>	<p>F</p>  <p>M6x35mm</p> <p>4PCS+1</p>
<p>G</p>  <p>M6x40mm</p> <p>12PCS+1</p>	<p>H</p>  <p>M8x40mm</p> <p>8PCS+1</p>	<p>I</p>  <p>M8x55mm</p> <p>5PCS+1</p>	<p>J</p>  <p>5mm</p> <p>2PCS</p>	<p>K</p>  <p>4mm</p> <p>1+1PCS</p>	<p>L</p>  <p>3mm</p> <p>2PCS</p>
<p>M</p>  <p>M5x38mm</p> <p>27PCS+2</p>	<p>N</p>  <p>Ø3.5x12</p> <p>2PCS+1</p>	<p>O</p>  <p>M6x19mm</p> <p>2PCS+1</p>	<p>P</p>  <p>1PC</p>	<p>Q</p>  <p>1PC</p>	<p>R</p>  <p>M6x55mm</p> <p>1PC+1</p>
<p>S</p>  <p>1PC</p>					

Note: Please do not tighten all bolts until the bed is assembled completely.

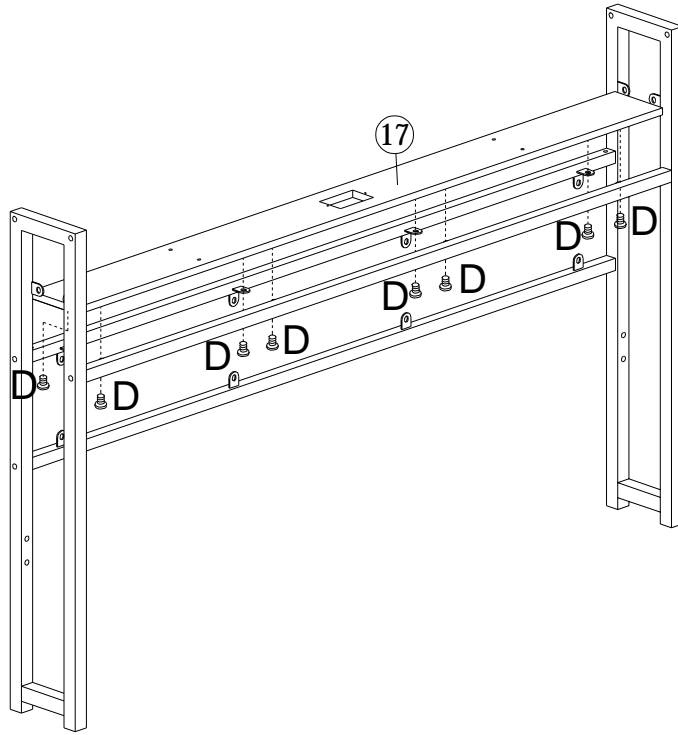
Step 1



Step 2



Step 3



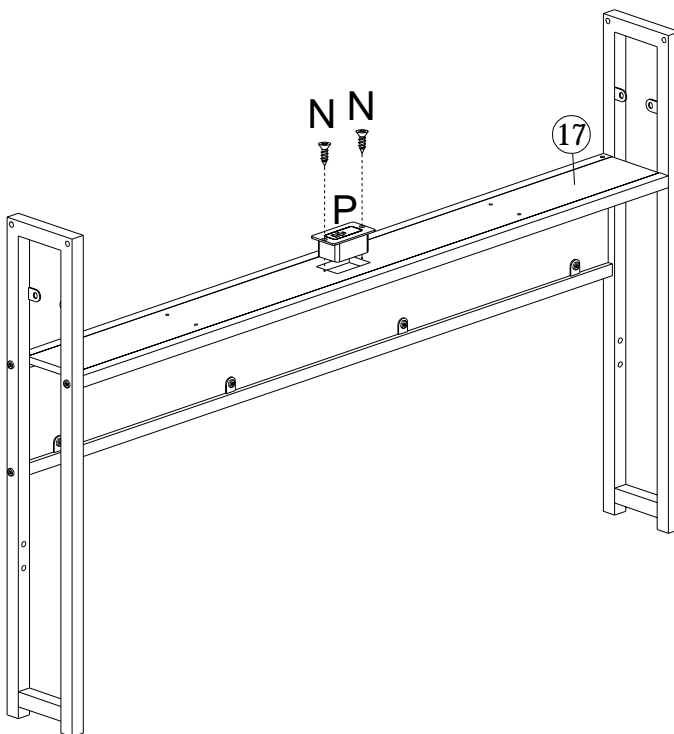
D



M6x10mm

8PCS

Step 4



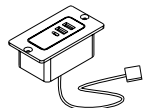
N



Ø3.5x12

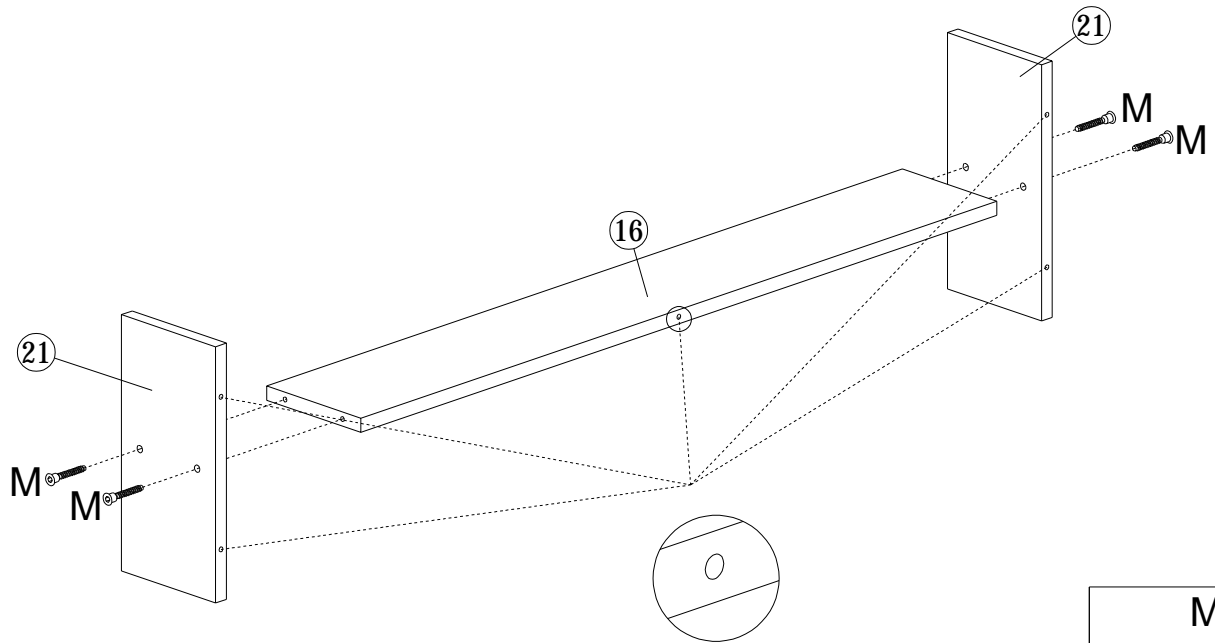
2PCS

P

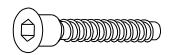


1PC

Step 5



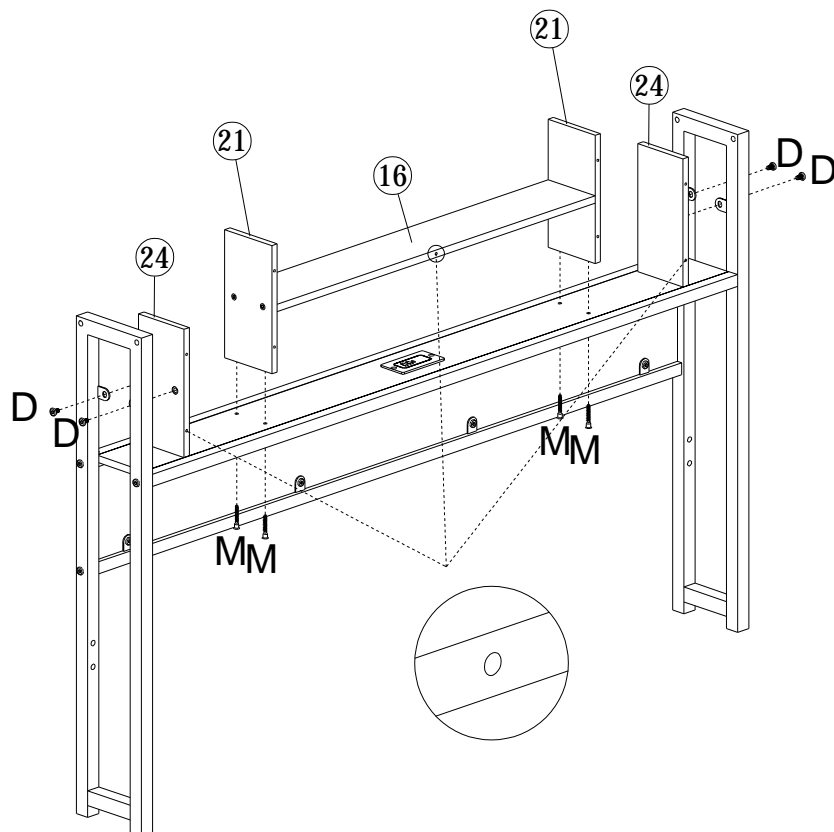
M



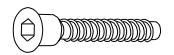
M5x38mm

4PCS

Step 6



M



M5x38mm

4PCS

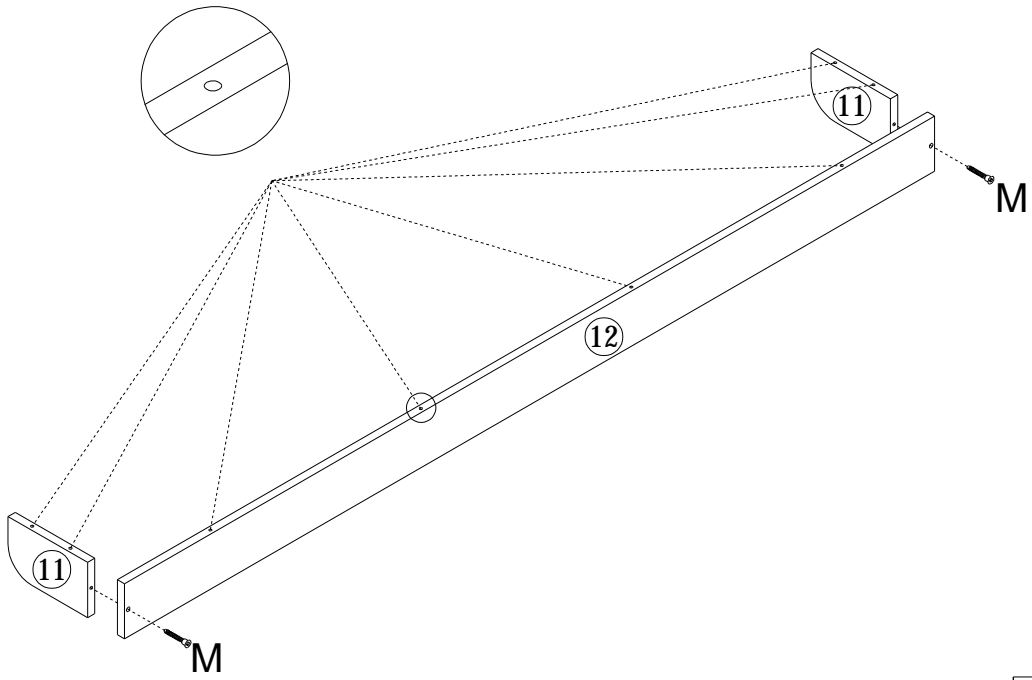
D



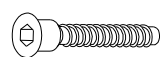
M6x10mm

4PCS

Step 7



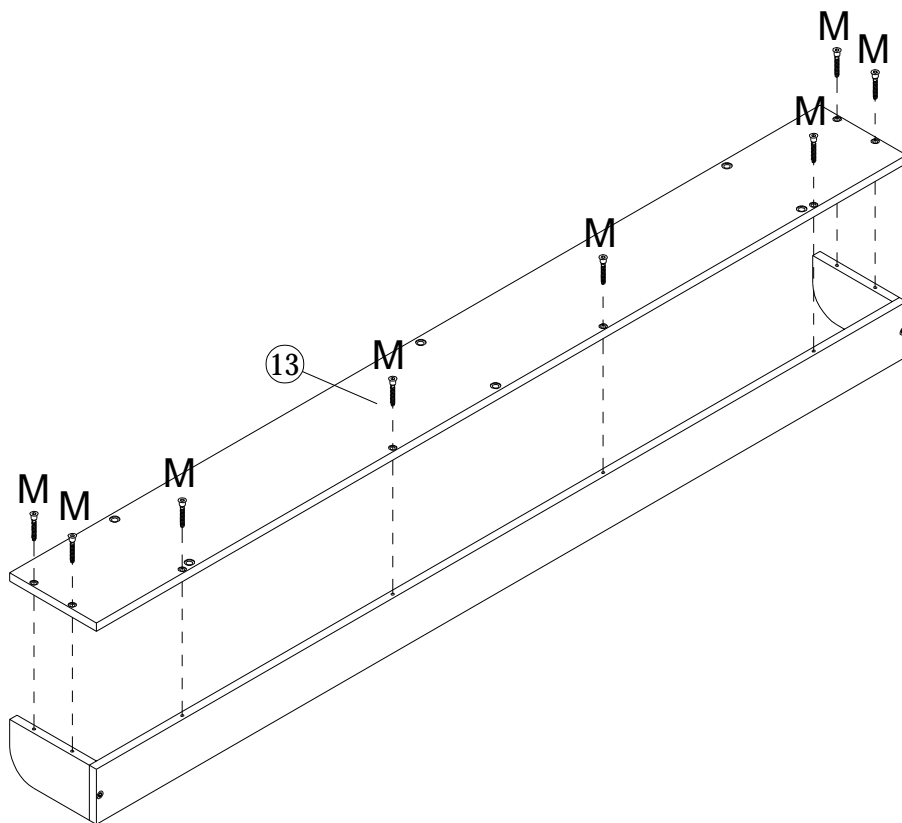
M



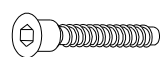
M5x38mm

2PCS

Step 8



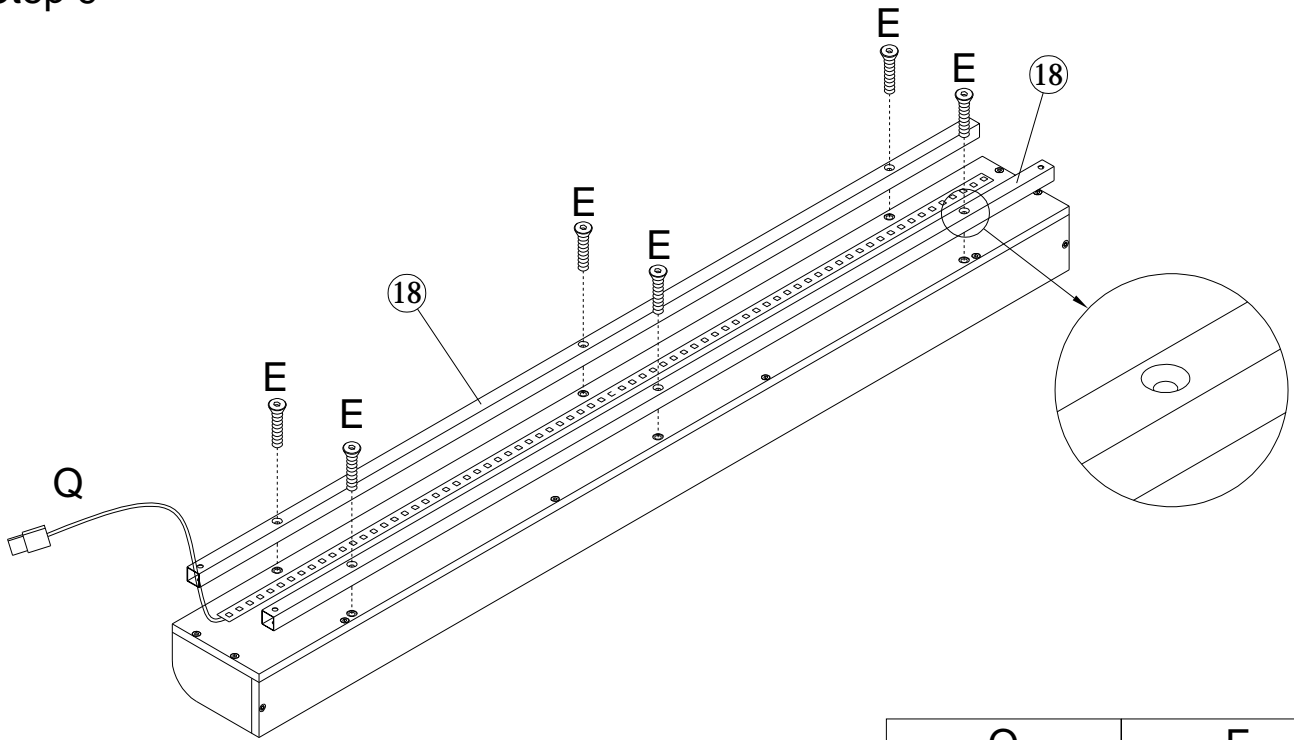
M




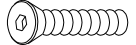
M5x38mm

8PCS

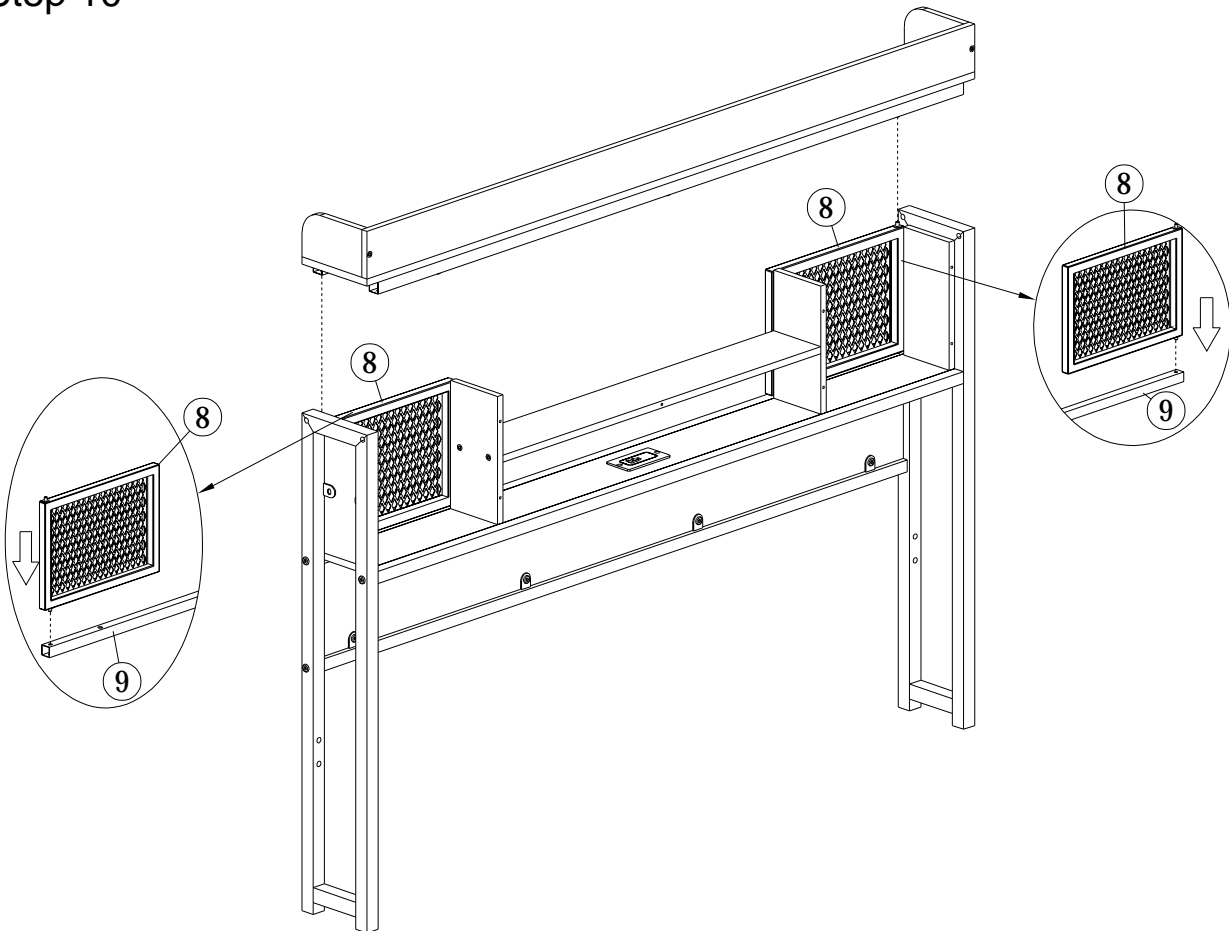
Step 9



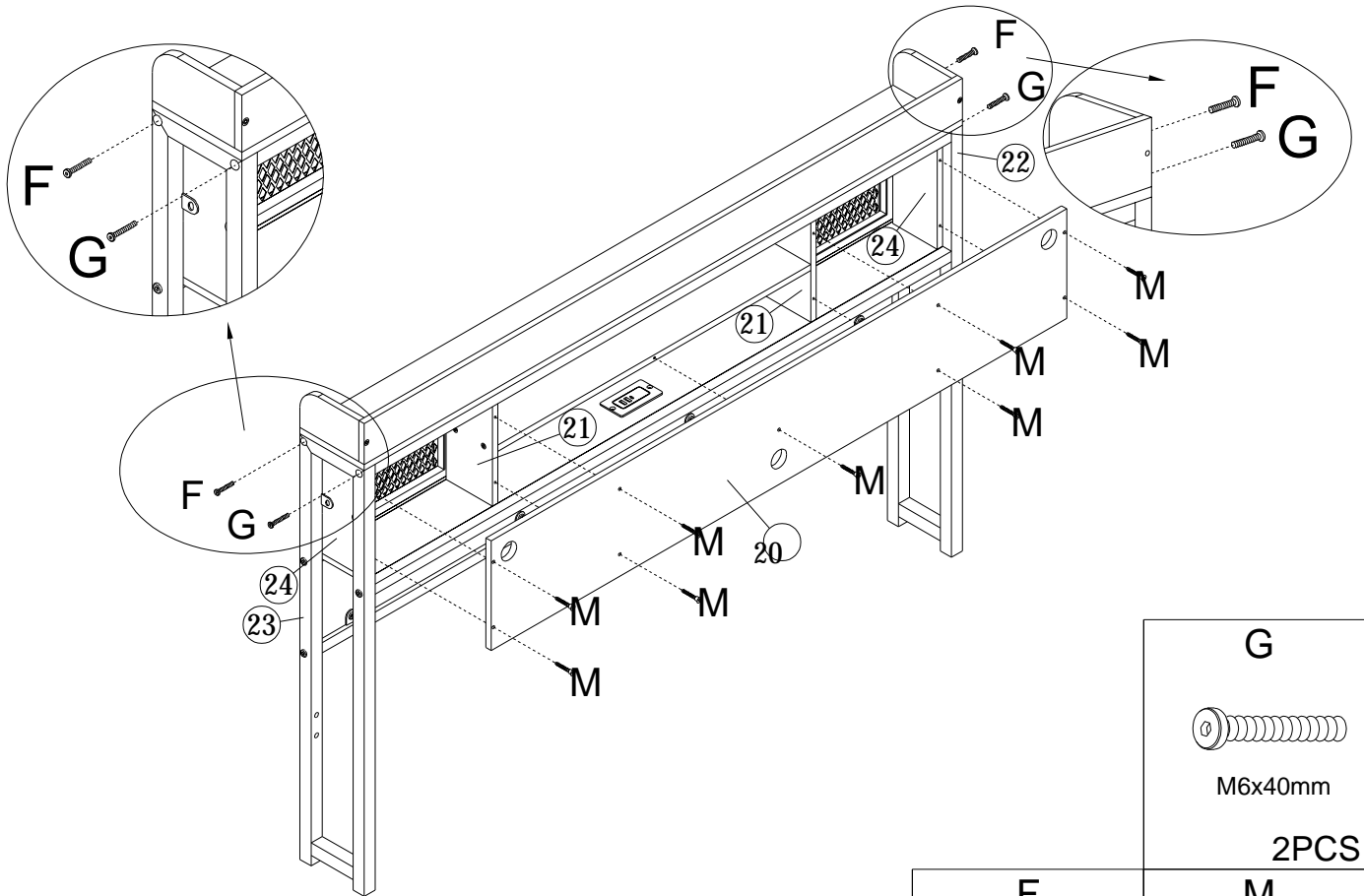
Battery not included.
Battery specification required: CR2025 3V

Q	E
	
1PC	6PCS

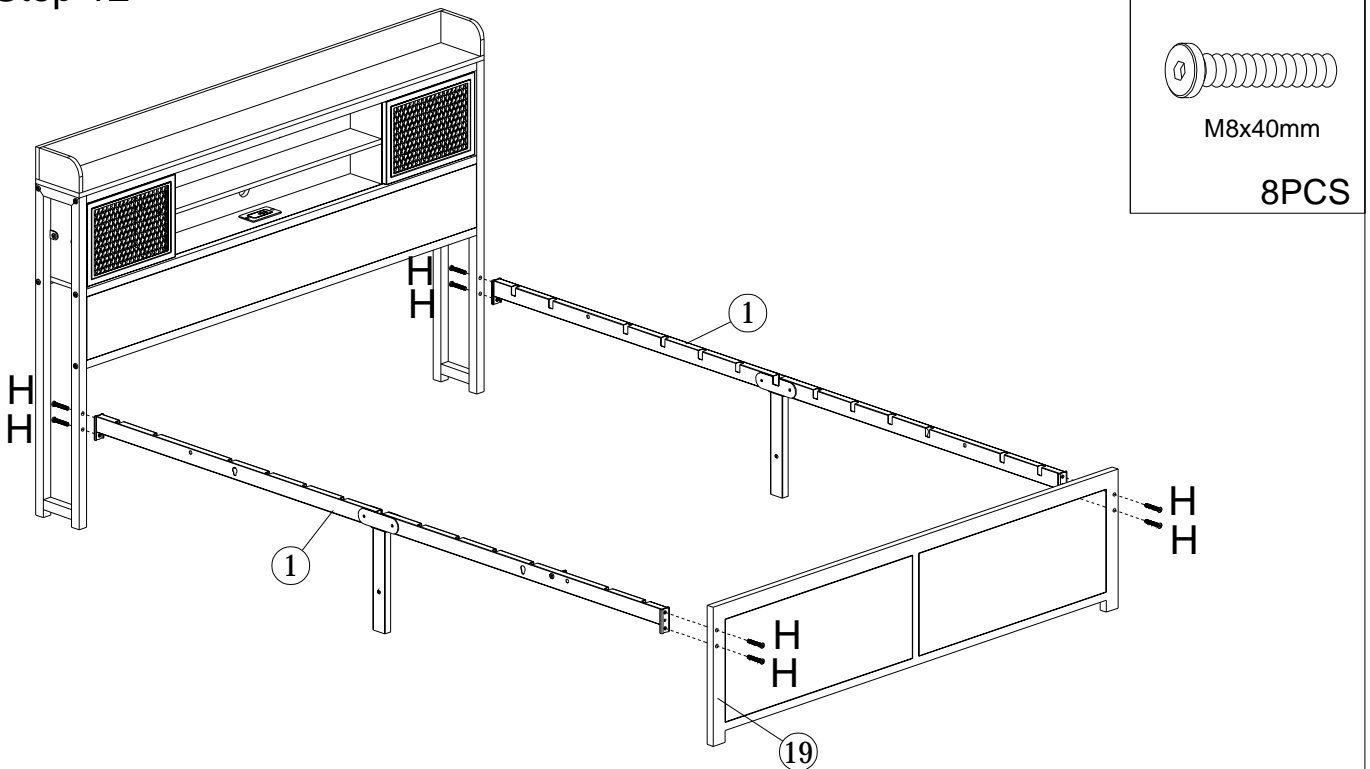
Step 10



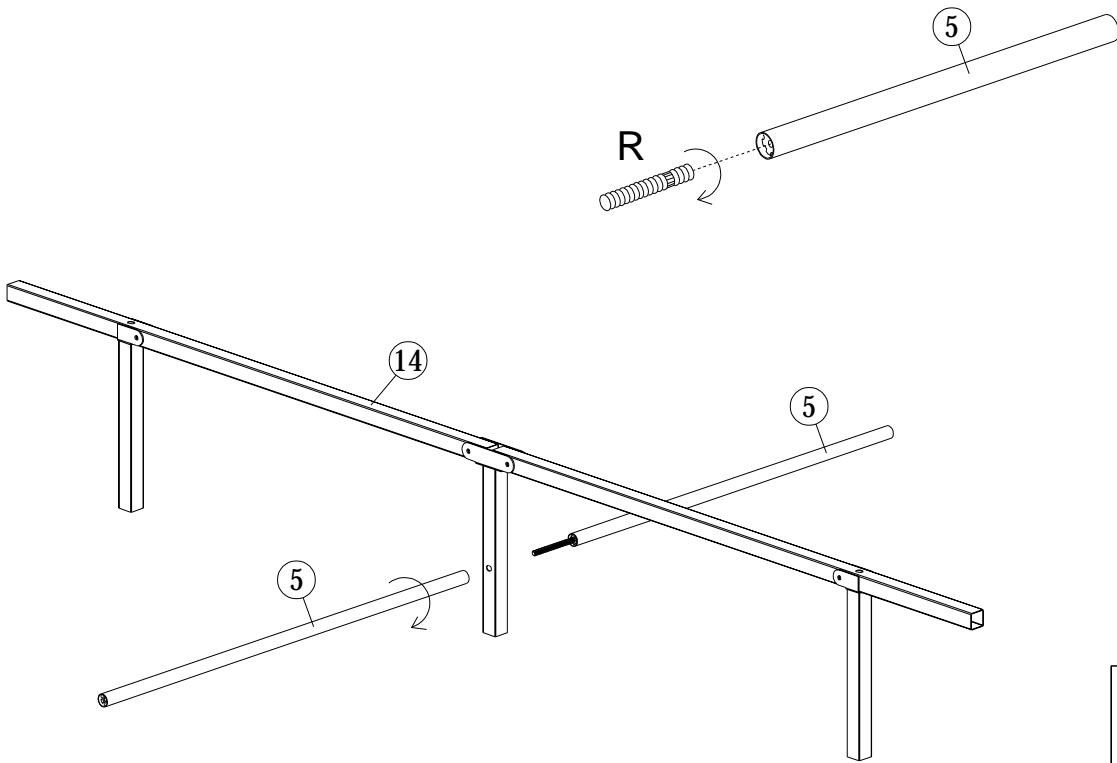
Step 11 Tighten all the screws before fix part 20.



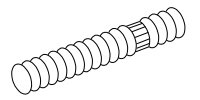
Step 12



Step 13



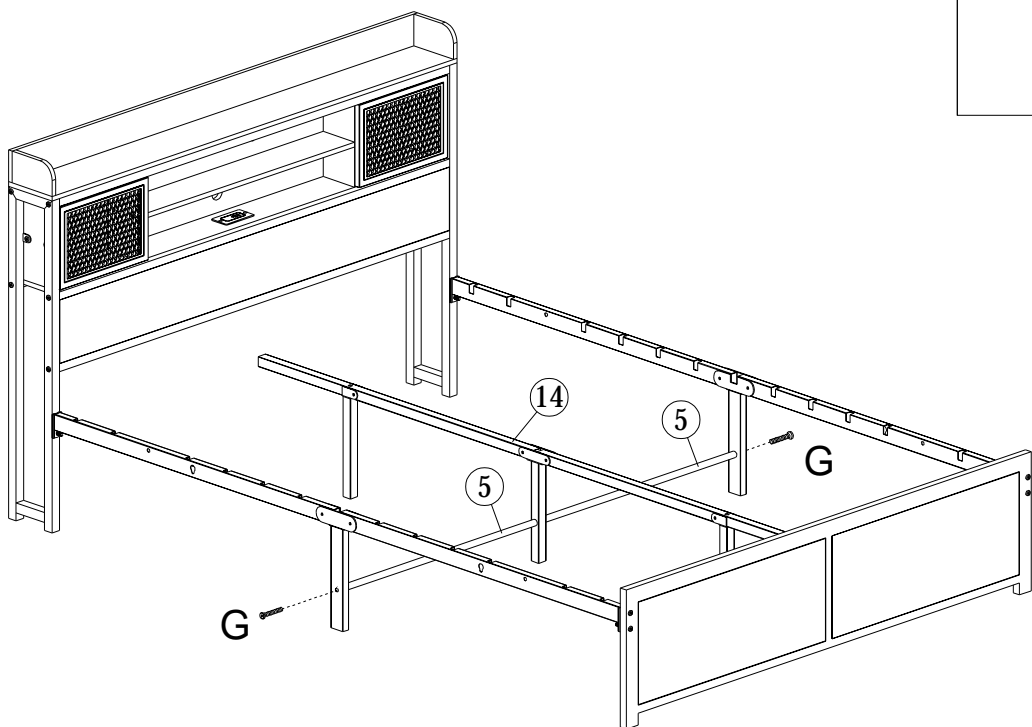
R



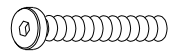
M6x55mm

1PC

Step 14



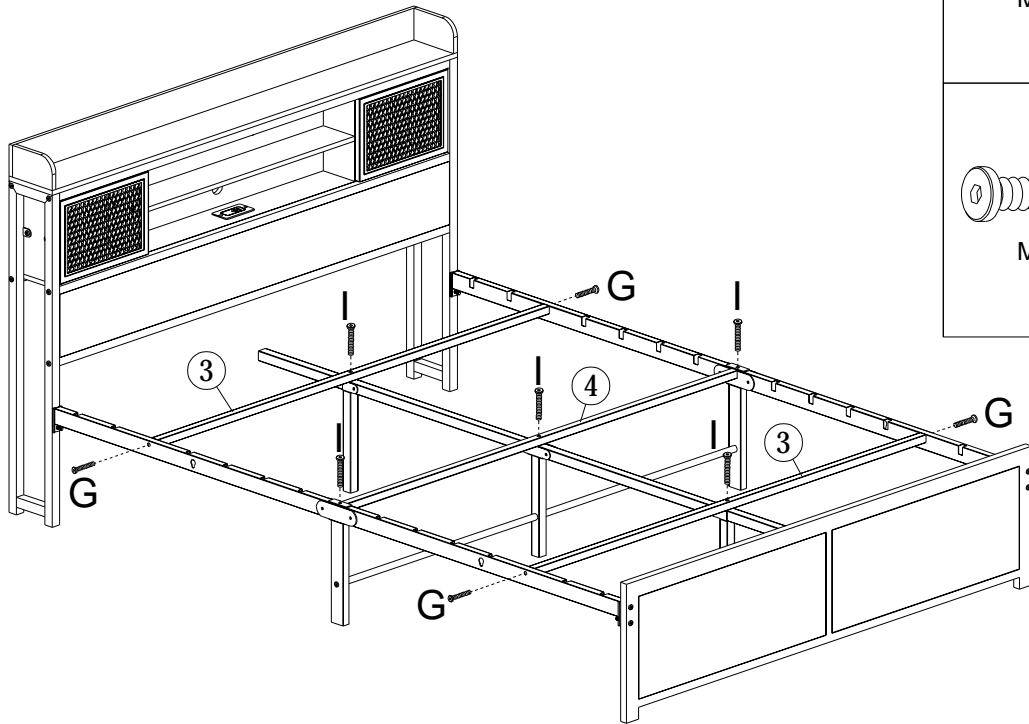
G



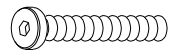
M6x40mm

2PCS

Step 15



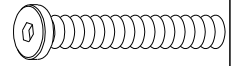
G



M6x40mm

4PCS

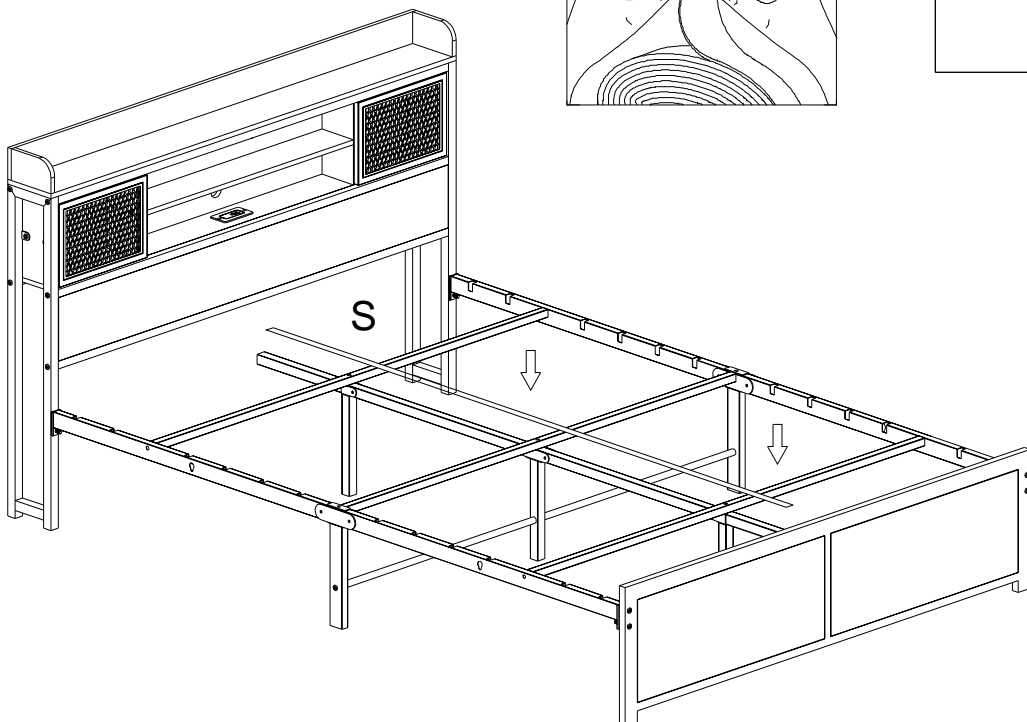
I



M8x55mm

5PCS

Step 16

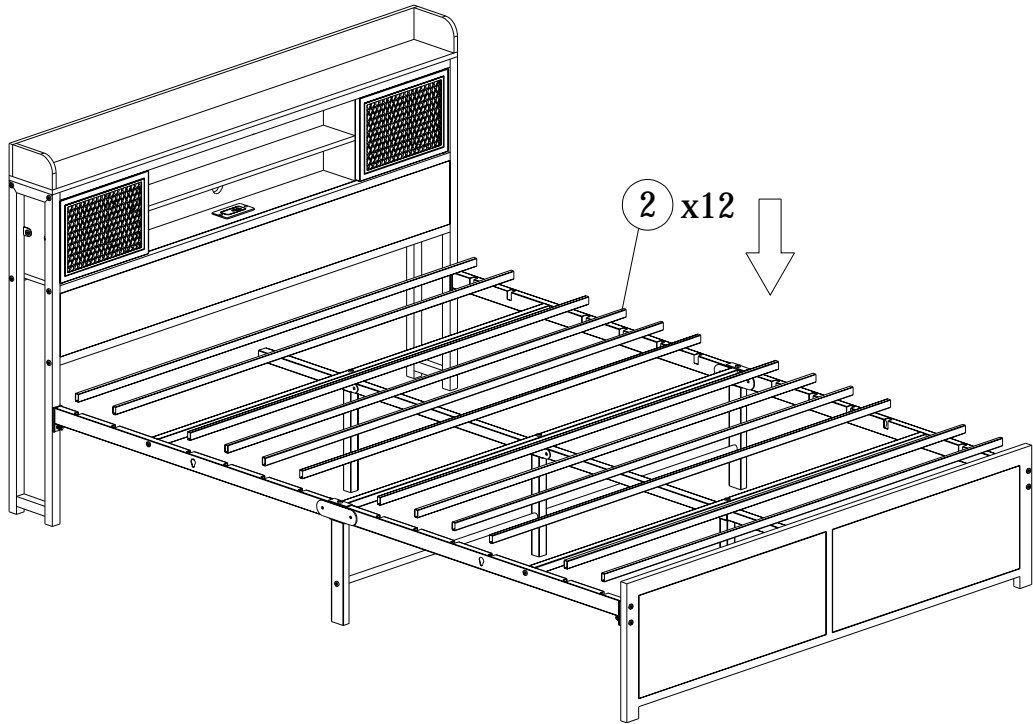


S

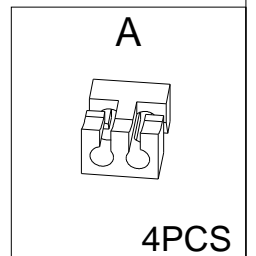
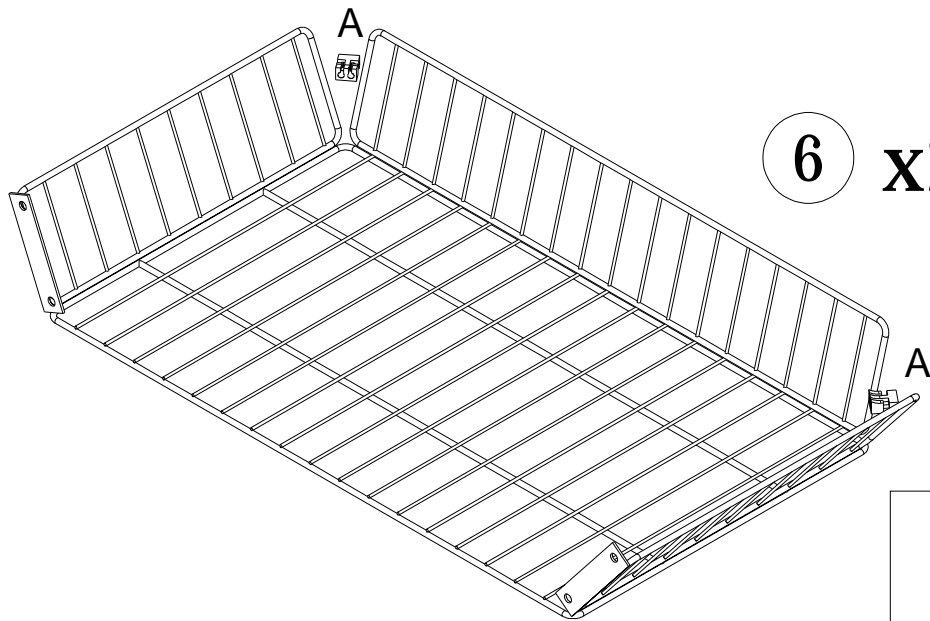
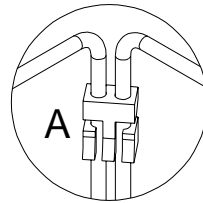
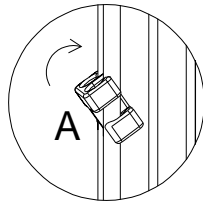
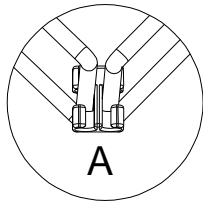
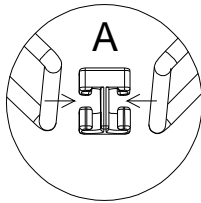


1PC

Step 17

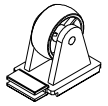


Step 18

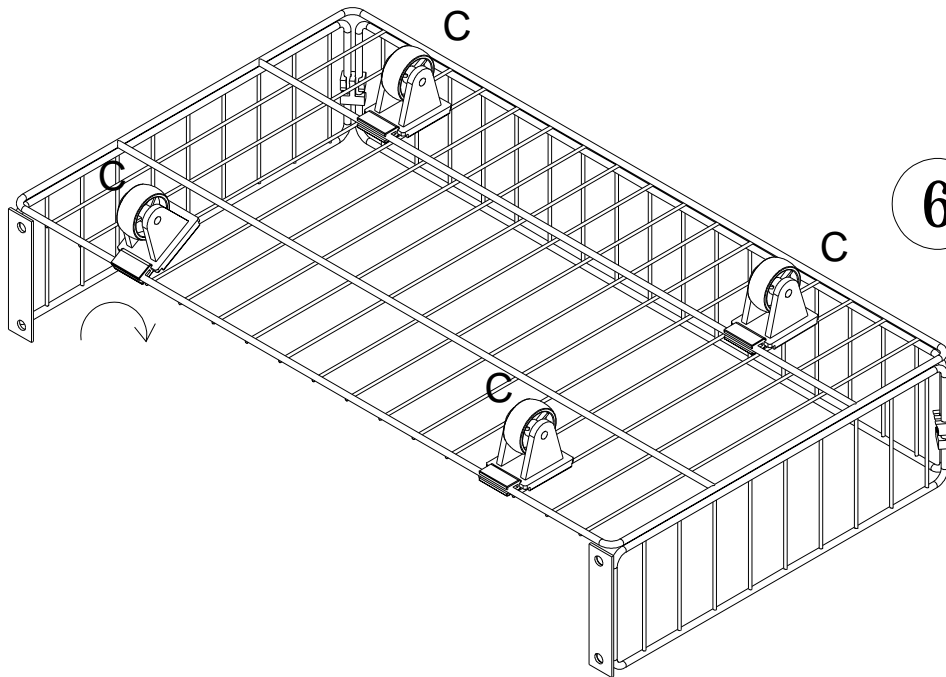


Step 19

C



8PCS

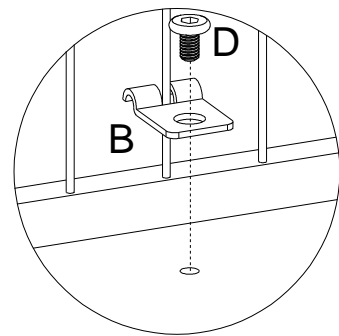
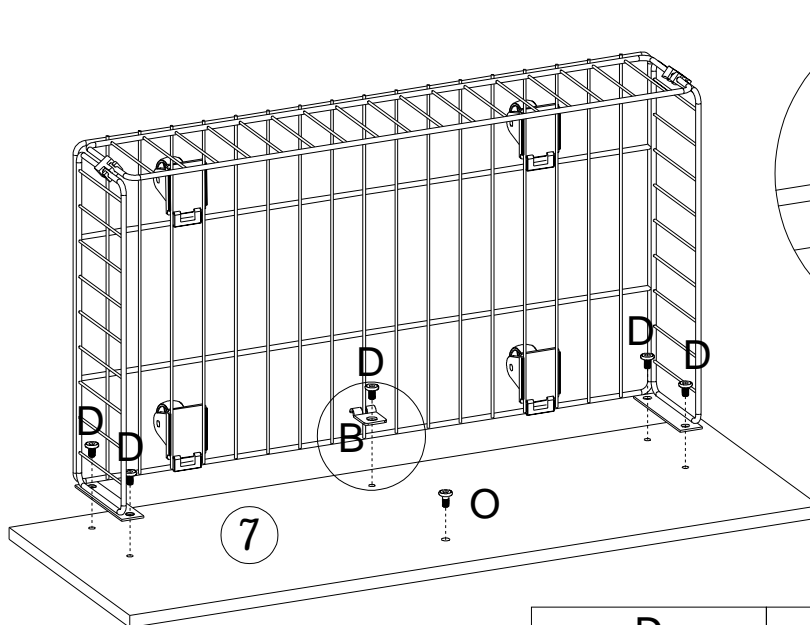


6

x2

Step 20

x2



D



M6x10mm

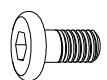
10PCS

B



2PCS

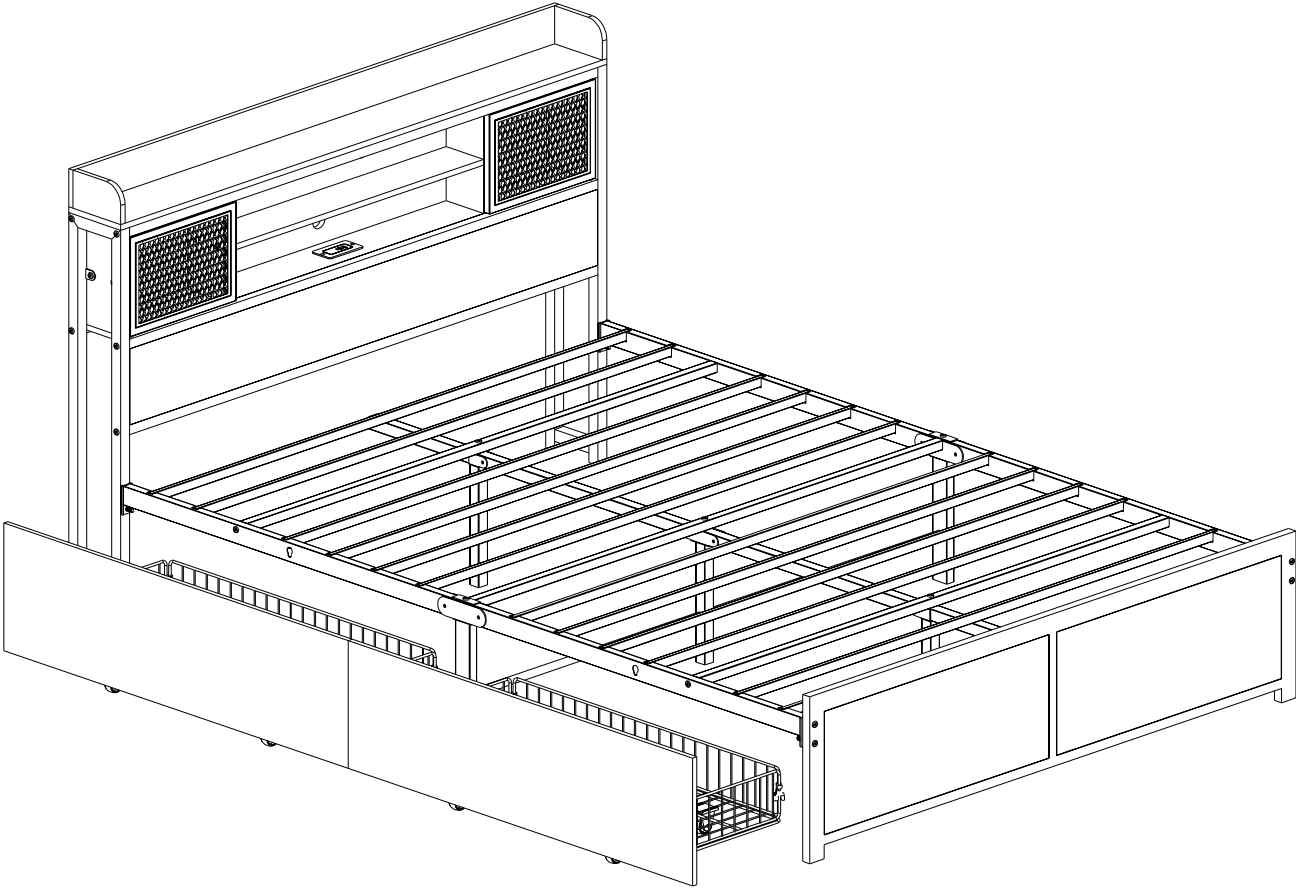
O

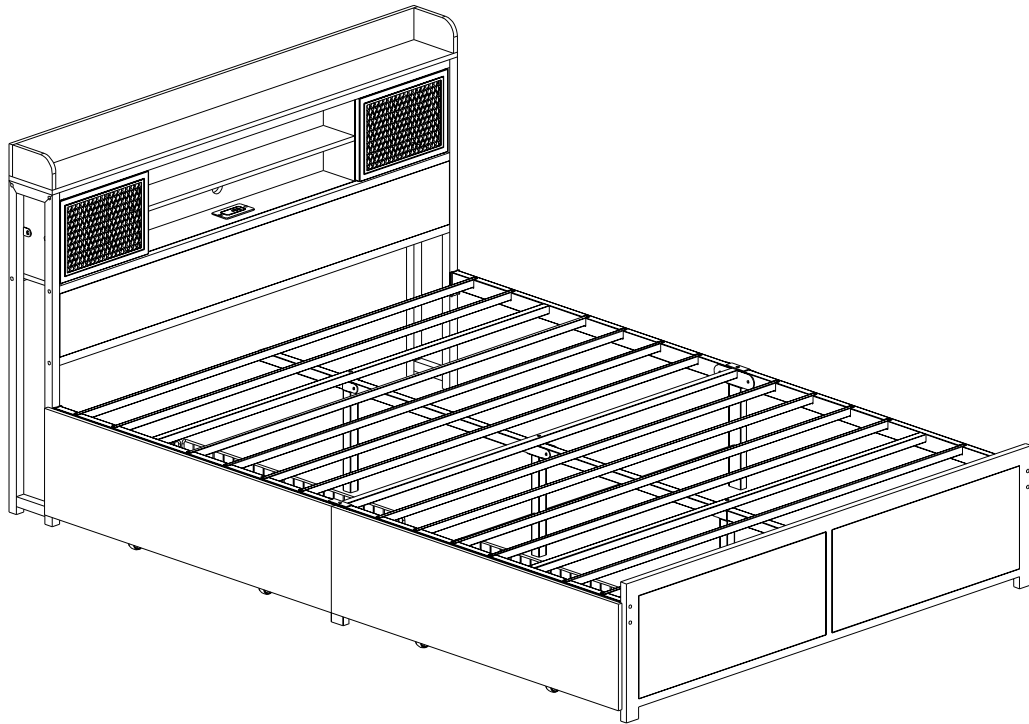





M6x19mm

2PCS

Step 21





	Importer	COMHARBOR LIMITED
	Address	WAREHOUSE 1& HEAD OFFICE,UNIT C,SWIFT POINT,COSFORD LANE,RUGBY,CV21 1PY,GB
	Model	HZY-5050RGB-30D-30R-DC5V
	Standard	BS EN IEC 55015:2019+A11:2020 IEC 61547:2020 BS EN IEC 61000-3-2:2019 BS EN 61000-3-3:2013/A2:2021
	VOLTAGE	DC5V
	Manufacturer	Shenzhen Hongzhengyu Technology Co., LTD
	Address	Shenzhen baoan district rock street industrial science and technology industrial park of 2 Haitian lanyu 3 5 floor of A
	Production date	2025/03
	Made in China	
		Warning Please read the operating instructions carefully before using the lights.

Attestation of Compliance

Declaration No.:	MK23110141P01-E01
Name and address of Applicant:	Shenzhen Hongzhengyu Technology Co., LTD Shenzhen baoan district rock street industrial science and technology industrial park of 2 Haitian lanyu 3 5 floor of A
Name and address of Manufacturer:	Shenzhen Hongzhengyu Technology Co., LTD Shenzhen baoan district rock street industrial science and technology industrial park of 2 Haitian lanyu 3 5 floor of A
Product name:	RGB package
Rated:	DC5V
Product model(s):	HZY-5050RGB-30D-90R-DC5V, HZY-5050RGB-30D-30R-DC5V, HZY-5050RGB-60D-60R-DC5V, HZY-5050RGB-60D-180R-DC5V, HZY-5050RGB-18D-18R-DC5V
Product trademark:	N/A

This Attestation of Compliance confirms that the product meets the requirements of the following standard.

BS EN IEC 55015:2019+A11:2020
 IEC 61547:2020
 BS EN IEC 61000-3-2:2019
 BS EN 61000-3-3:2013/A2:2021

The Attestation of Compliance has been carried out in accordance with individual rules and conditions agreed with the applicant. Evaluation has been carried out in accordance with:

Test report(s) No.:	MK23110141P01-E01
Test conducted by:	TMC Testing Services (Shenzhen) Co., Ltd.
Declaration issue date:	December 5, 2023

Notes:

This Attestation of Compliance is issued according to the Great Britain legislation Electromagnetic Compatibility Regulations 2016(SI 2016 No. 1091). It confirms that the listed products complies with all essential requirements of the Regulations and applies only to the sample and its technical documentation to TMC Testing Services (Shenzhen) Co., Ltd. for testing.

After preparation of the necessary technical documentation (which must be kept for up 10 years after the product is placed on the GB market) as well as the UK Declaration of Conformity, the required UKCA marking can be affixed on the product. Other relevant Regulations have to be observed.

TMC Testing Services (Shenzhen) Co., Ltd.

t:86-755-86642861 cert@tmc-lab.com www.tmc-lab.com

1st Floor, Block A1, Zone A, Xinshidai Gongrong Industrial Park, No. 2, Shihuan Road, Shiyuan Street, Baoan District, Shenzhen, China



Vivian Jiang

**UK
CA**