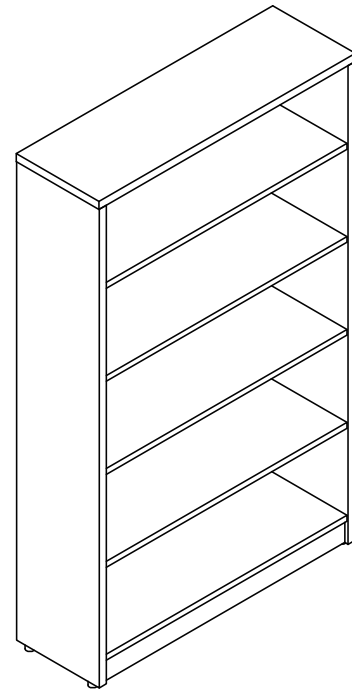


# Assembly Manual



## ⚠ WARNING

Keep all parts out of the children's reach.

## NOTE

- You need to have a **crosshead screwdriver** beforehand.

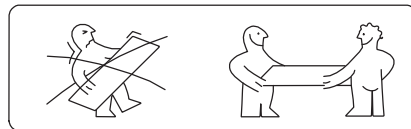
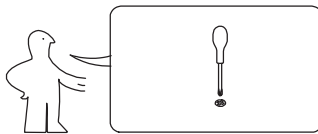


**crosshead screwdriver**

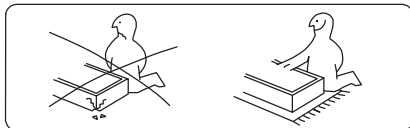
⚠ Not included in package.

- Place all the panels on a clean and smooth surface, such as a rug or carpet, to prevent them from being scratched.
- Make sure that all parts in your product package, including panels and accessories, match up with those listed in the **Panels & Accessories list**.
- Don't tighten screws or bolts until all the pieces are fitted.
- It is recommended to have 2 persons to complete the assembly.

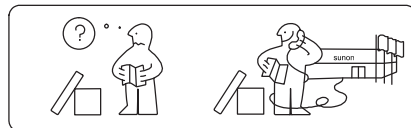
## NOTE



① Safe carriage, multi-people are needed.

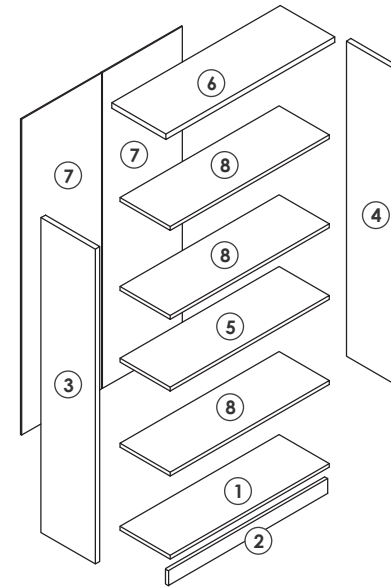


② Handle with care, protective layer is required.



③ In case of any doubts, contact Sunon.








## Panels



## Panel List

Panels	Size	Numbers
①	863*273*18mm	<b>Bottom Board</b> (×1)
②	70*863*18mm	<b>Base Panel</b> (×1)
③ ④	1480*294*25mm	<b>Side Boards</b> (×2)
⑤	862*273*8mm	<b>Fixed Shelf Panel</b> (×1)
⑥	915*295*25mm	<b>Top Board</b> (×1)
⑦ ⑦	1484*435*5mm	<b>Back Boards</b> (×2)
⑧ ⑧ ⑧	862*272*18mm	<b>Movable Shelf Panels</b> (×3)

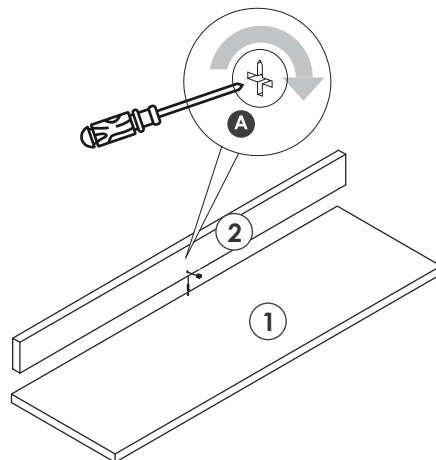
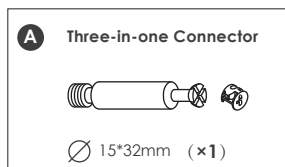
## Accessories List

<b>A</b> Three-in-one Connector  $\varnothing$ 15*32mm (x13+1)	<b>B</b> Three-in-one Connector Cover  $\varnothing$ 17.8*4.5mm (x13+1)	<b>C</b> Dowel  $\varnothing$ 8*40mm (x13+1)
<b>D</b> Pan Head Self Tapping Screw  $\varnothing$ M3*16mm (x12+1)	<b>E</b> Adjusting Pin  $\varnothing$ M8*21mm (x4)	<b>F</b> Shelf Support  $\varnothing$ 5*15mm (x12)
<b>G</b> Back-board Slot  $\varnothing$ / (x1)		

## Assembly Instructions

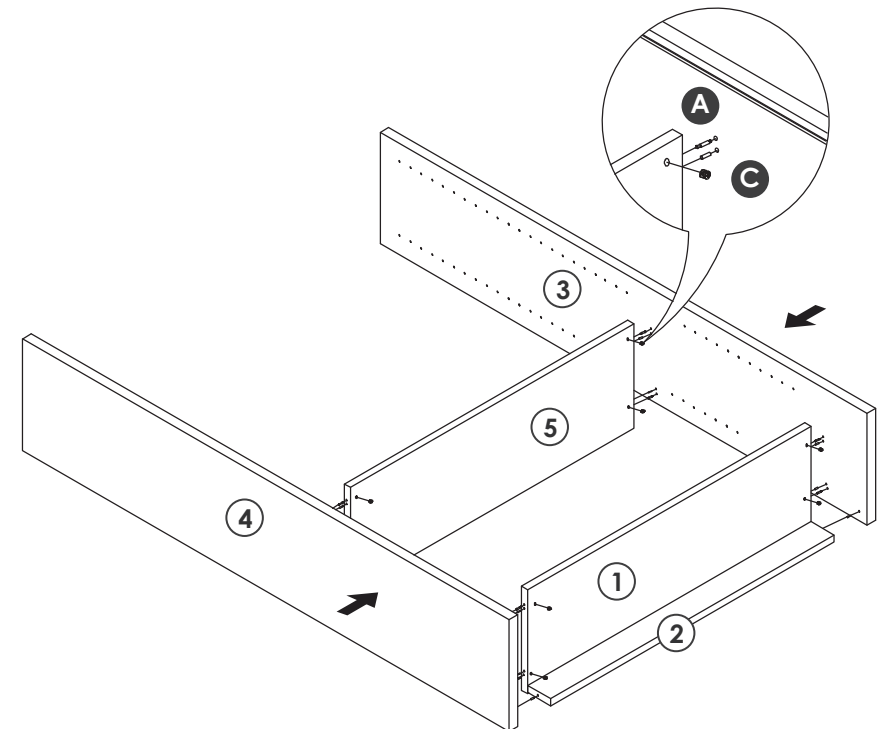
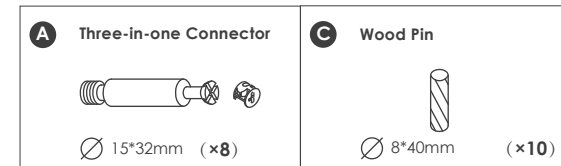
### Step 1:

Fit and fasten the **Base Panel** on the **Bottom Board**.



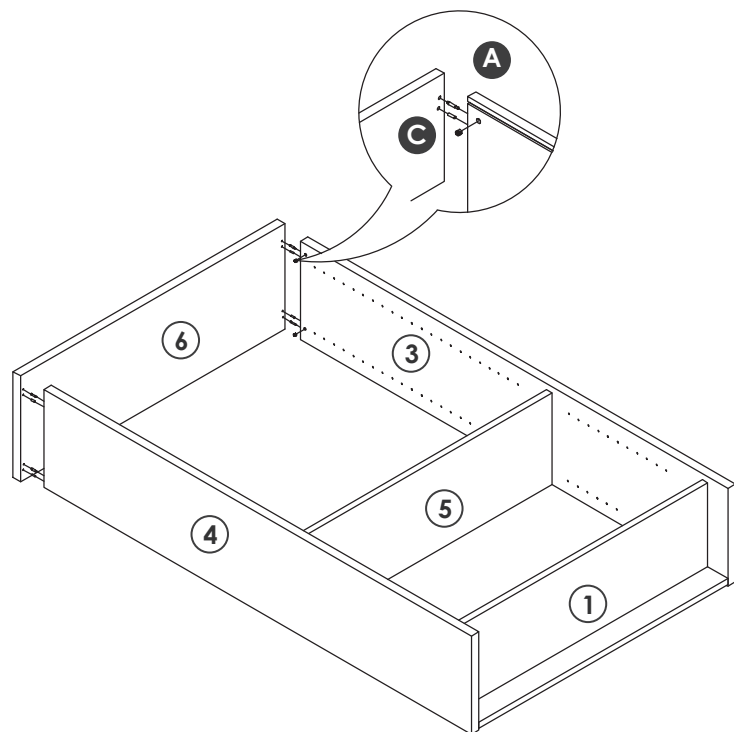
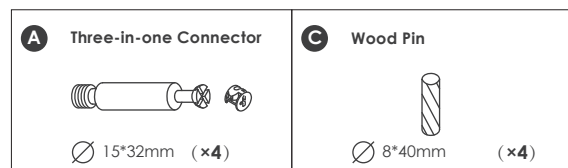
### Step 2:

Fit and fasten the **Bottom Board** and fixed **Panel** with two **Side Panels**.



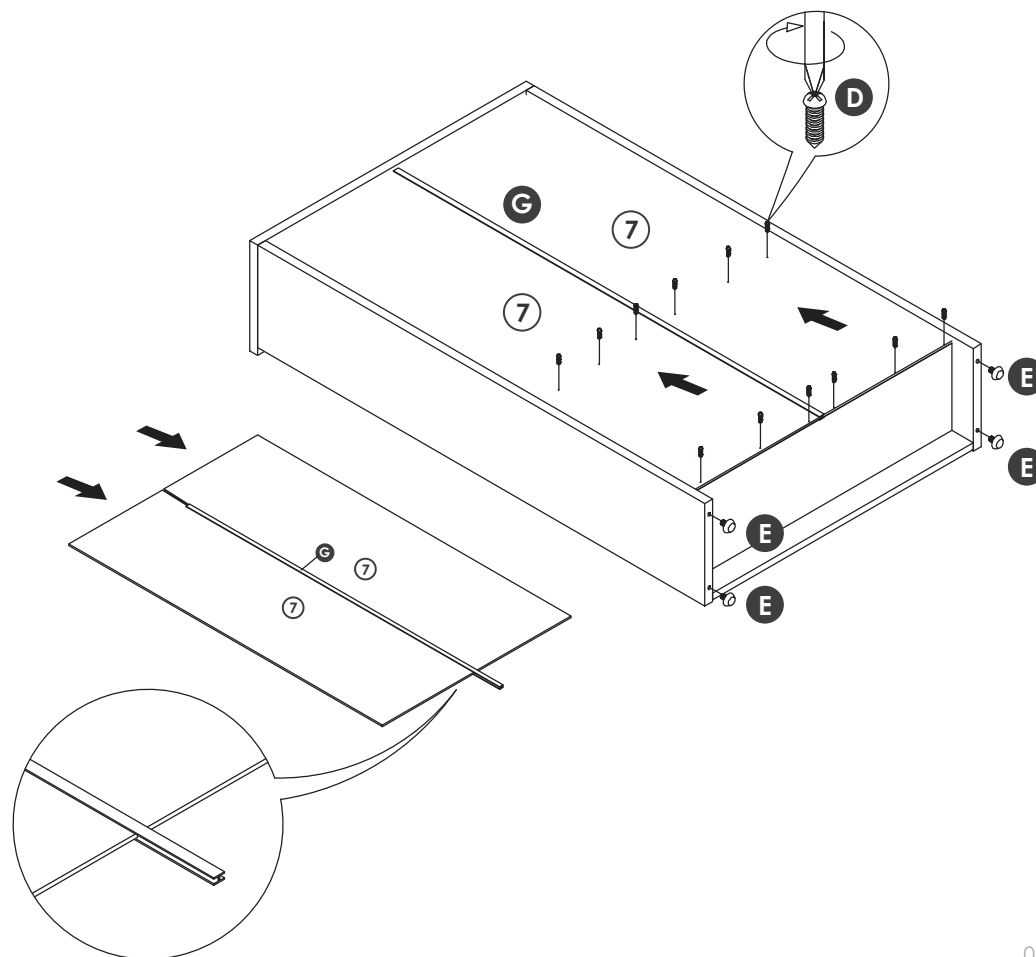
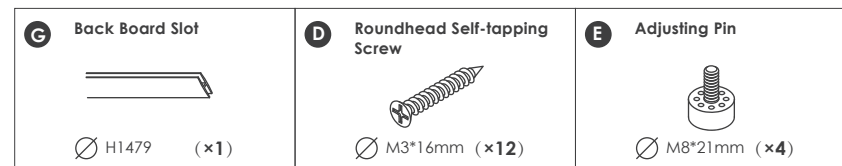
### Step 3:

Fit and fasten the **Top Board** with **Side Panels**.



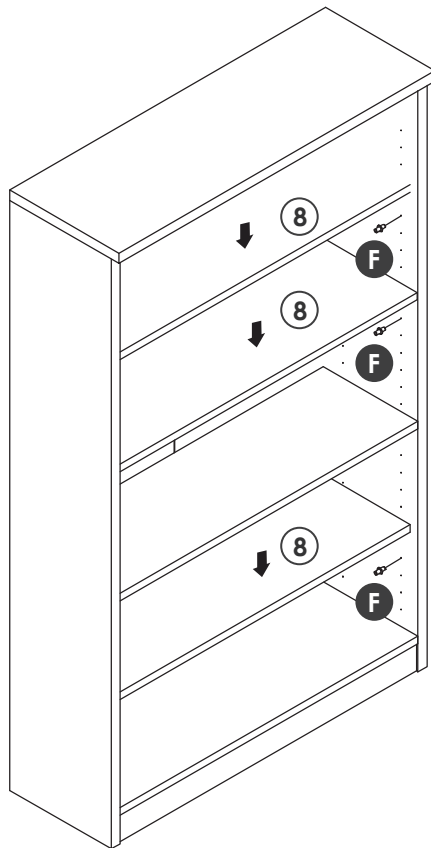
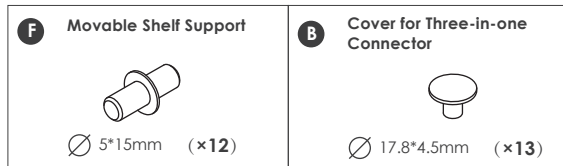
### Step 4:

Insert **Back Board** along with side slot, and connect them with **Back board slot**.



### Step 5:

Put the **Movable Shelf Panels** in wherever you want.



### Step 6:

Finished as below.

