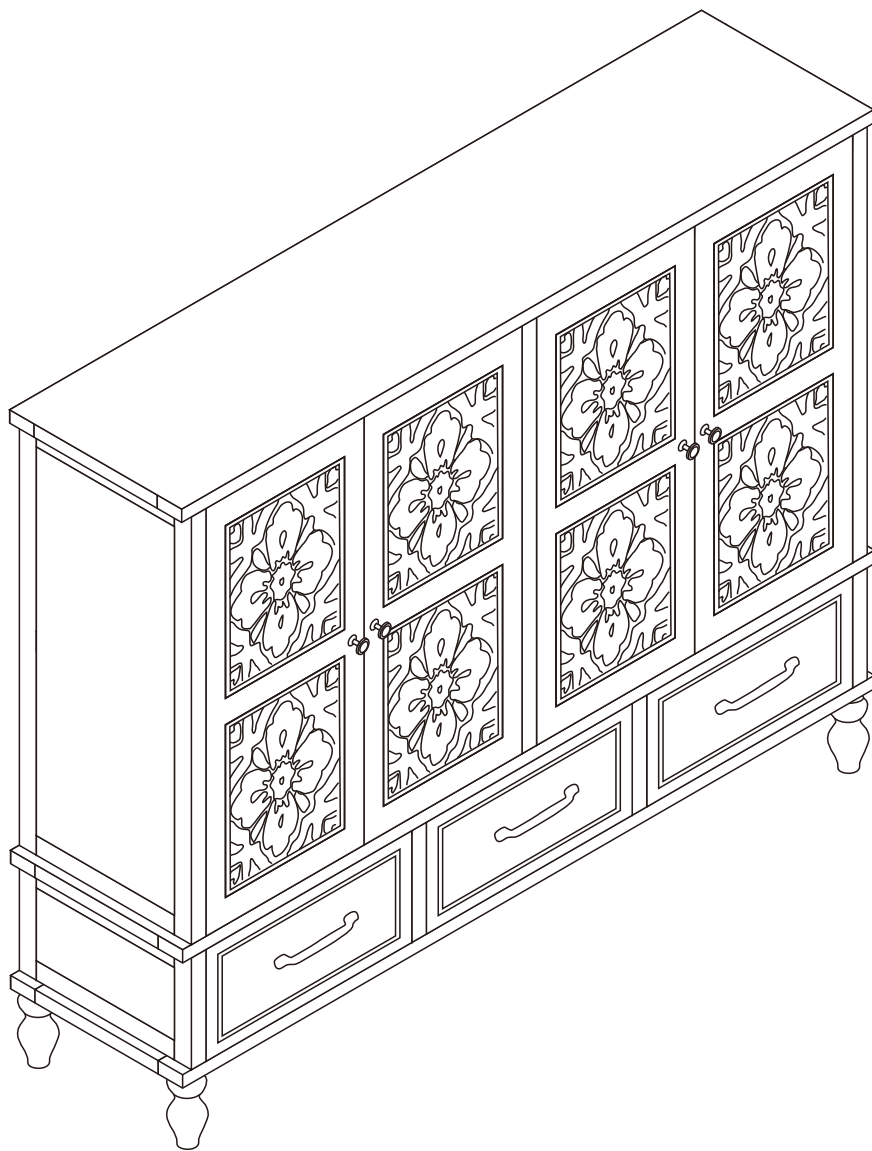


# Instruction Manual



















# Instruction Manual

Please save this manual for future reference.

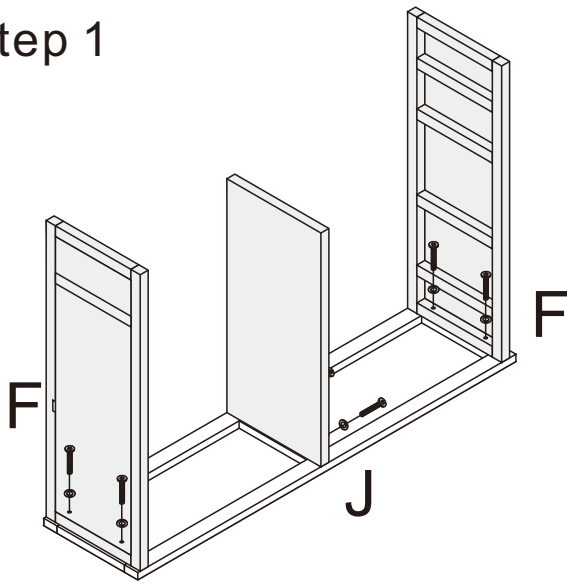
Thank you for purchasing this product. This product has been manufactured with the highest standards of safety and quality.

Product Name:	Chic Accent Cabinet With 4 Doors 3 drawers
SKU #:	W2295P290643-H0103E

## hardwares contents:

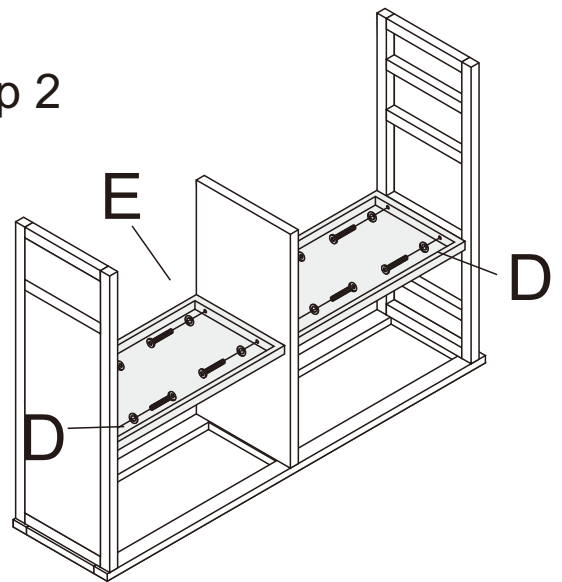
CONTENTS					
ID	DESCRIPTION	QTY	ID	DESCRIPTION	QTY
A	 Door Handle	3	B	 4*30 Screws	6
C	 8*40 Screws Washer	2	D	 8*30 Screws Washer	4
E	 8*55 Screws Washer	2	F	 8*35 Screws Washer	12
G	 3.5*20 Screws	32	H	  Magnetic door touch Screws	4+8
I	  Door Handle 4*25 Screws Washer	4	J	 8*45 Screws Washer	10
K	 3*20 Screws	24	L	 Cabinet feet	4
M	 Bolt driver	1	N	 Allen Wrench	1

### Step 1



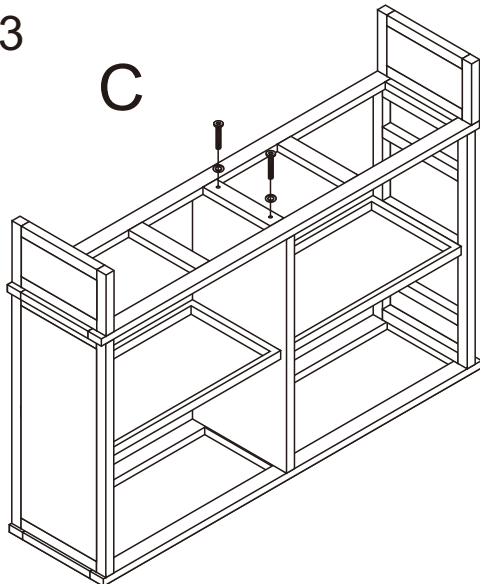
Insert side and mid panels to the top. Align and tighten screws & washers by Allen Wrench

### Step 2



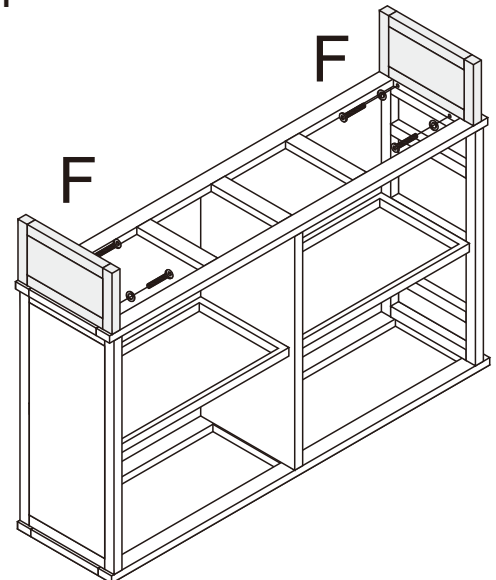
Insert shelf board to the panels. Align and tighten screws & washers by Allen wrench

### Step 3



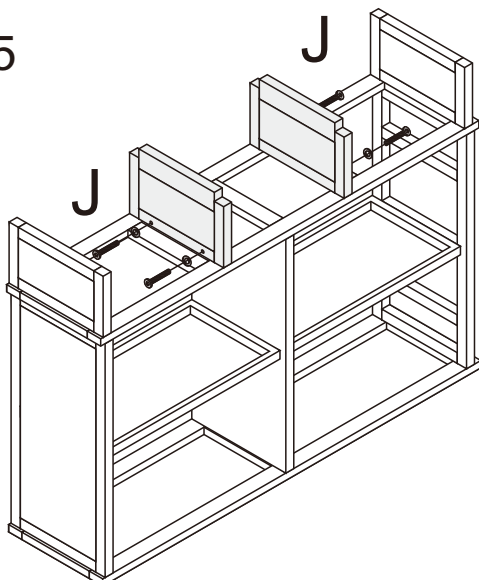
Attach the bottom shelf board to the mid panel. Align and tighten screws & washers by Allen wrench

### Step 4



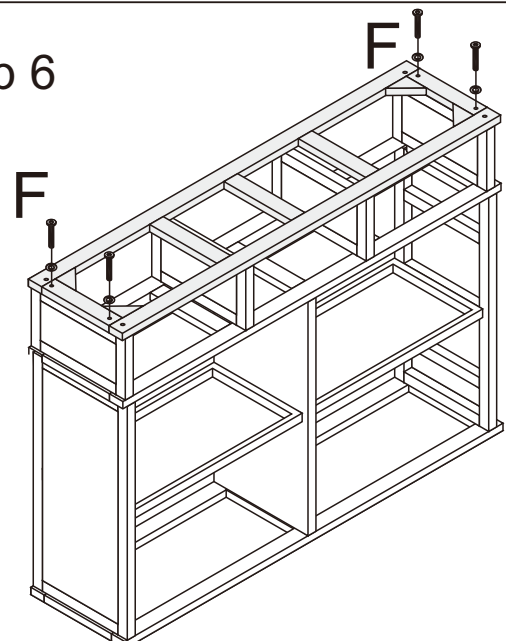
Attach the board to the side panel. Align and tighten screws&washers by Allen wrench

### Step 5



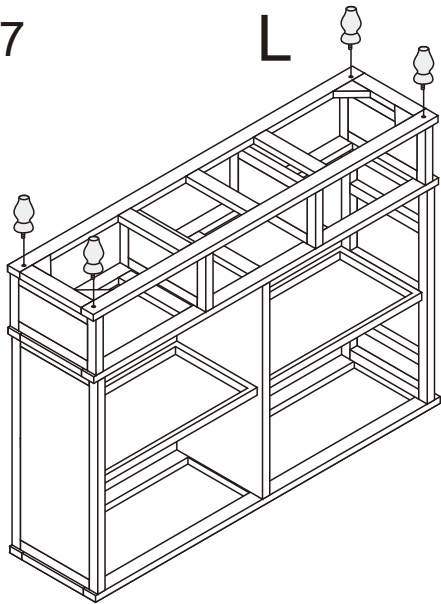
Attach the mid panel of the bottom. Align and tighten screws&washers by Allen wrench

### Step 6



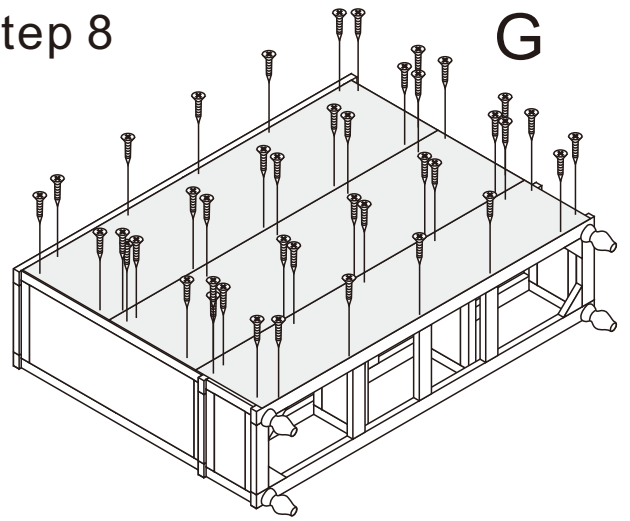
Attach the bottom board to the panel. Align and tighten screws & washers by Allen wrench

### Step 7



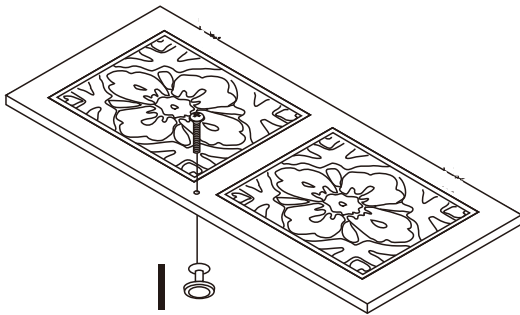
Screw in the cabinet feet to the bottom board

### Step 8



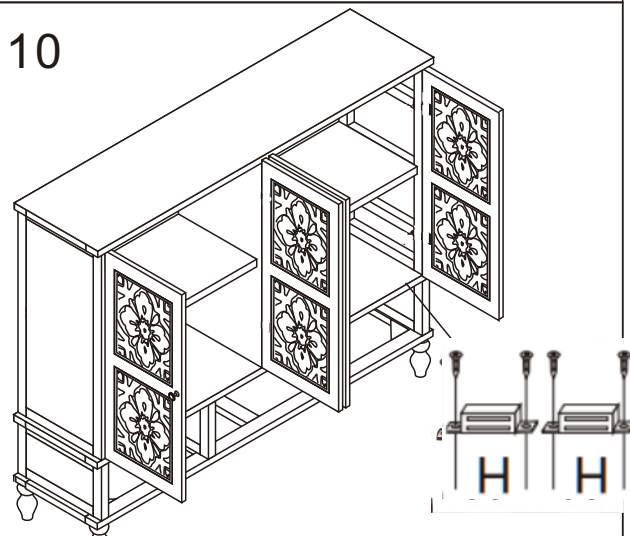
Align back panel and screw in by screw driver.

### Step 9



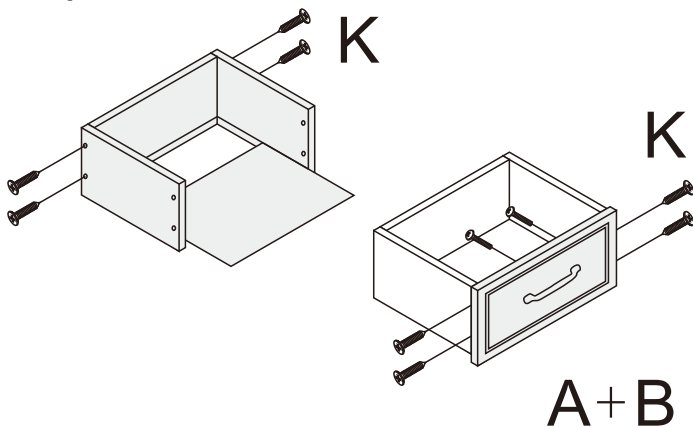
Install the handles of the doors by screw driver.

### Step 10



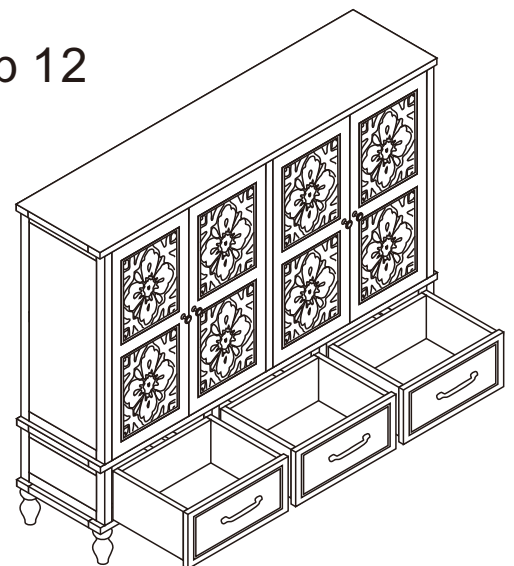
Install the doors to the bottom and the side panel of the shelf by screw in to the panel with screw driver. Install the Magnetic door touch and screw in.

### Step 11



Install the drawer by screw in panels with screw driver.

### Step 12



Insert the drawers and you can enjoy this wonderful cabinet now.

### Important:

Tighten each bolt nuts firmly. DO NOT over tighten any of the bolt nuts as this may strip the screws. DO NOT sit or stand on the table as this may damage the product and cause serious bodily injury.