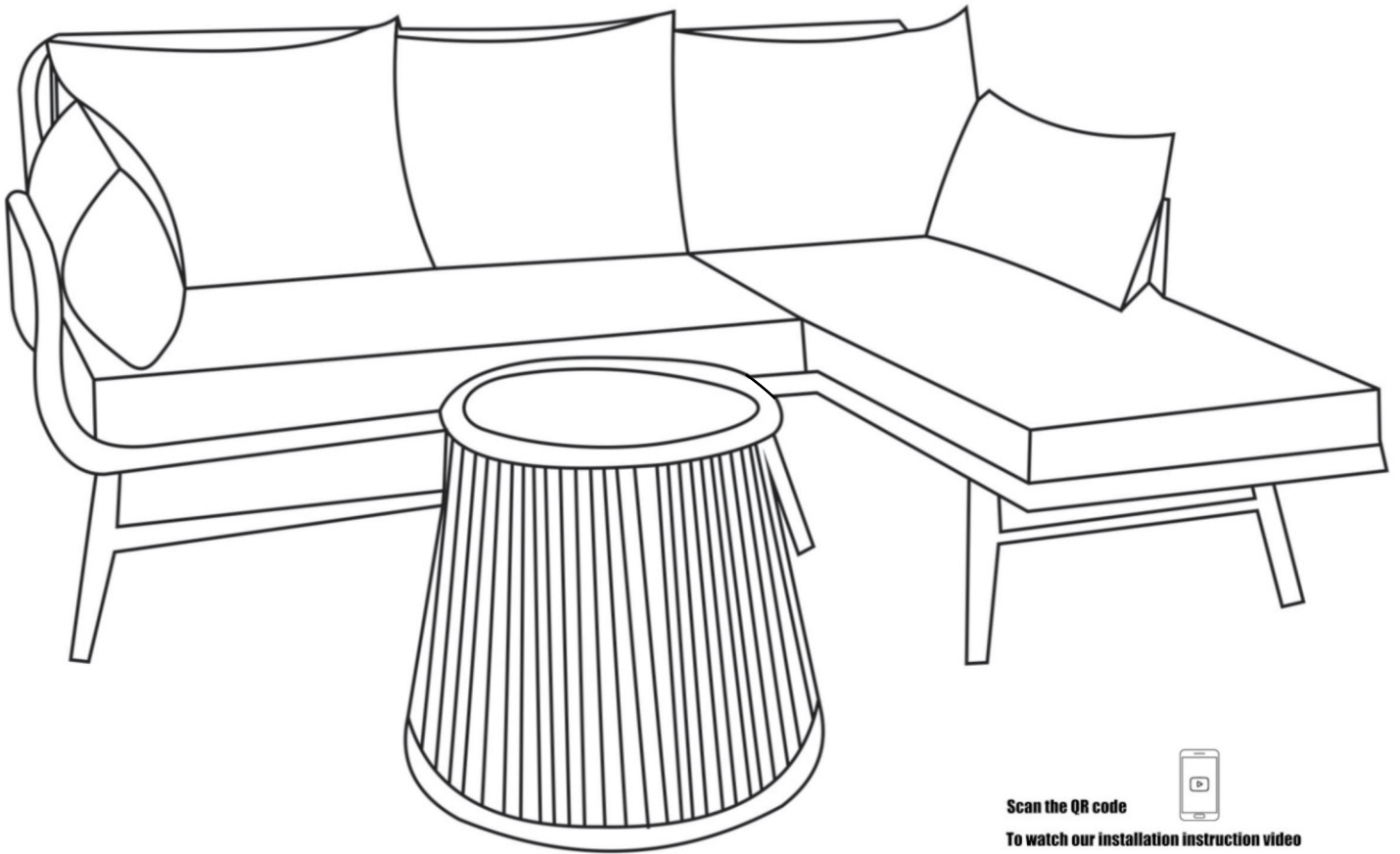


L-Shaped Conversation Sofa Set



Scan the QR code



To watch our installation instruction video

Double seaters

Single seater



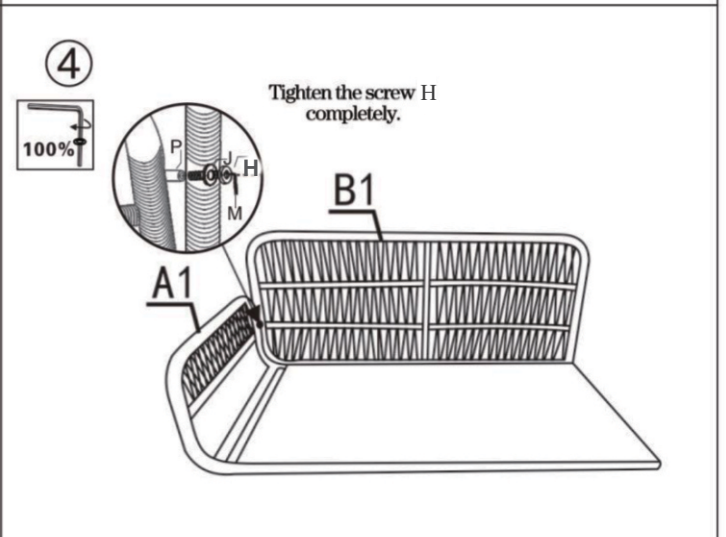
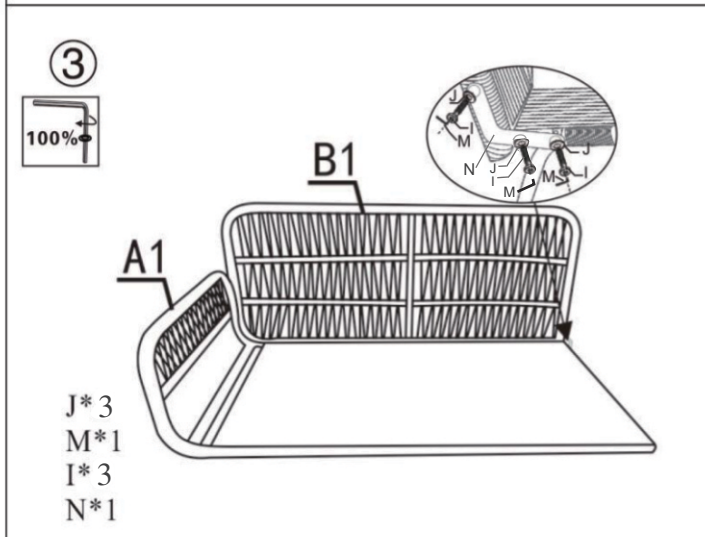
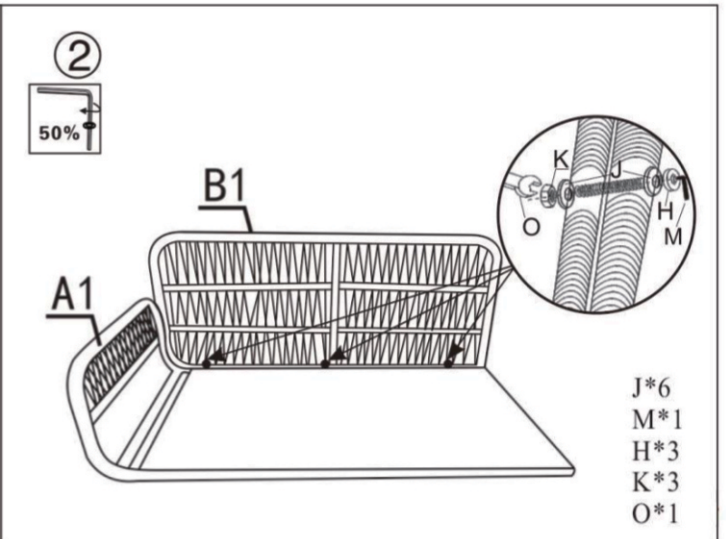
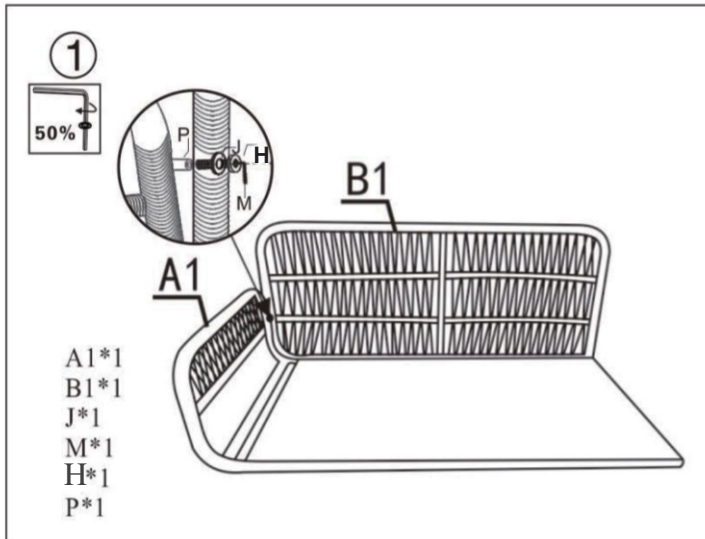
ATTENTION

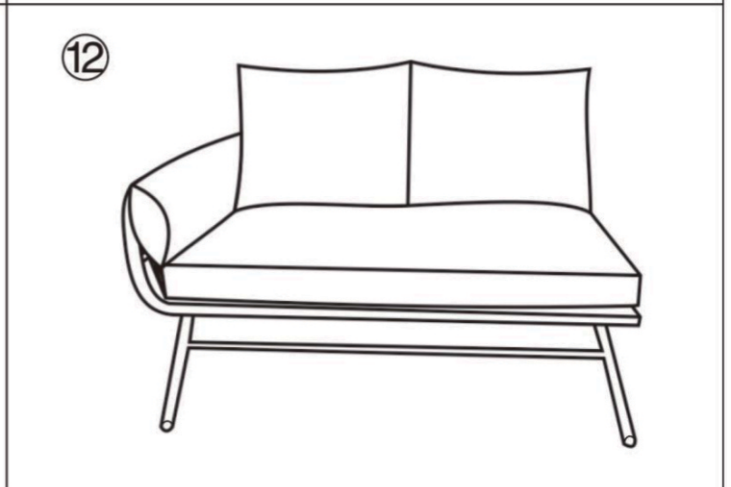
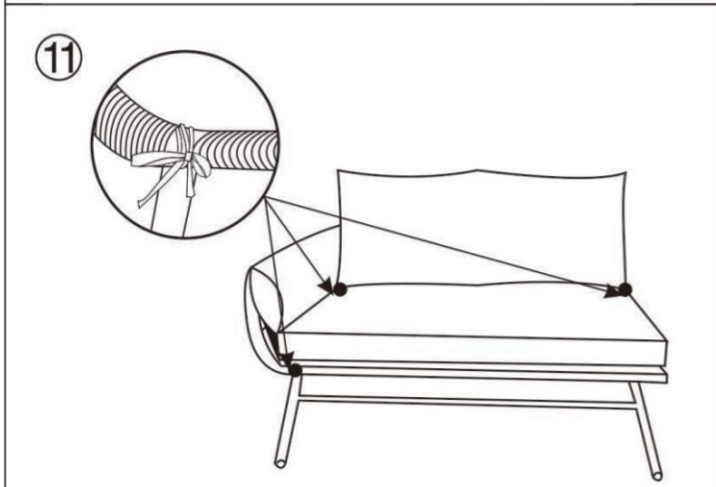
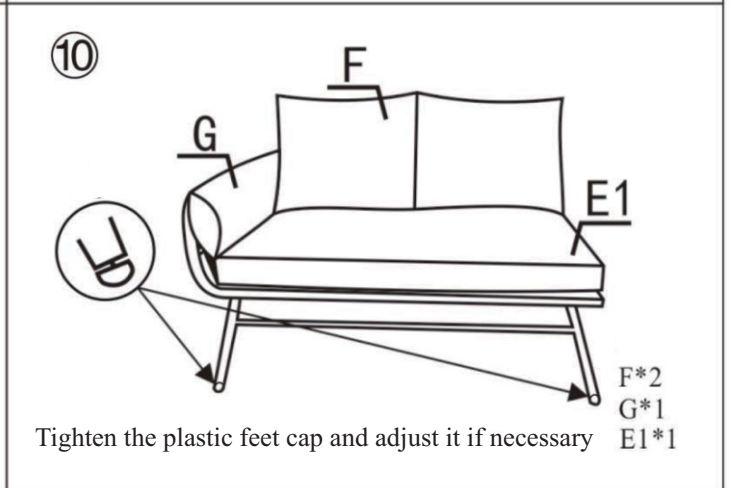
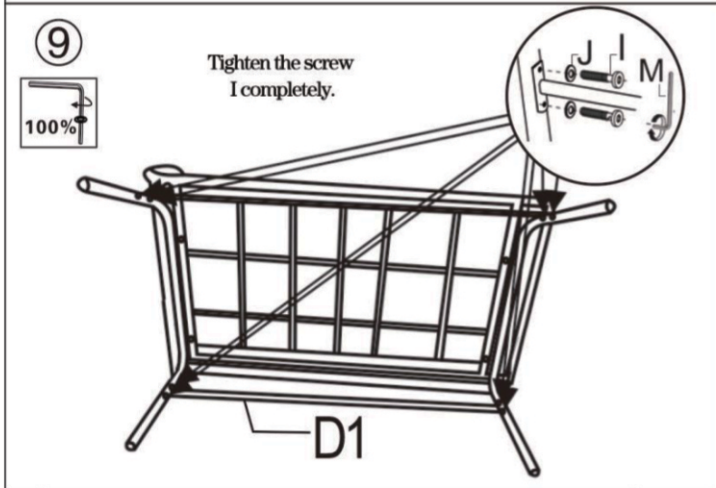
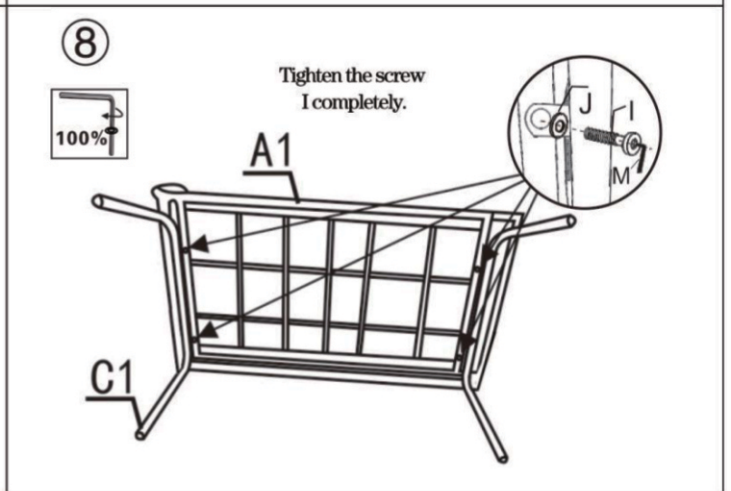
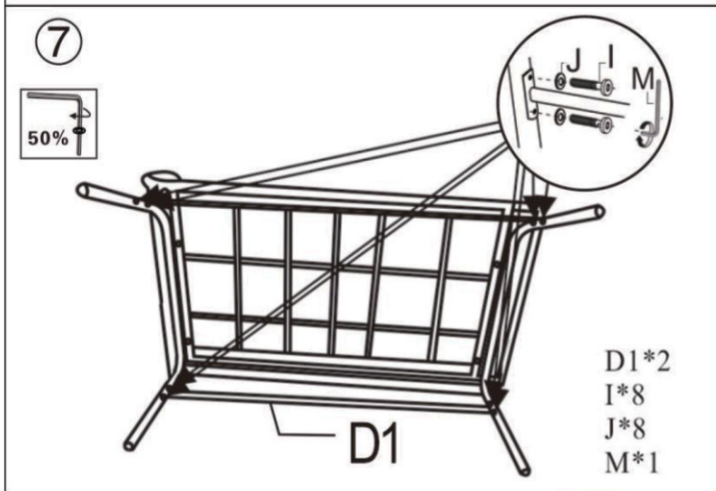
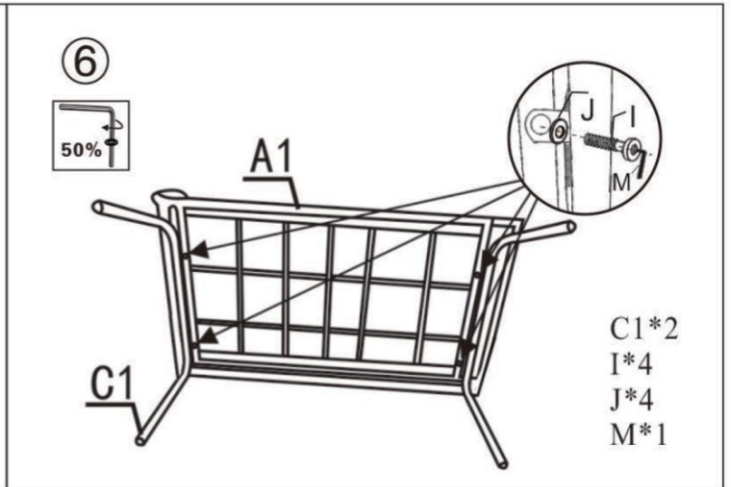
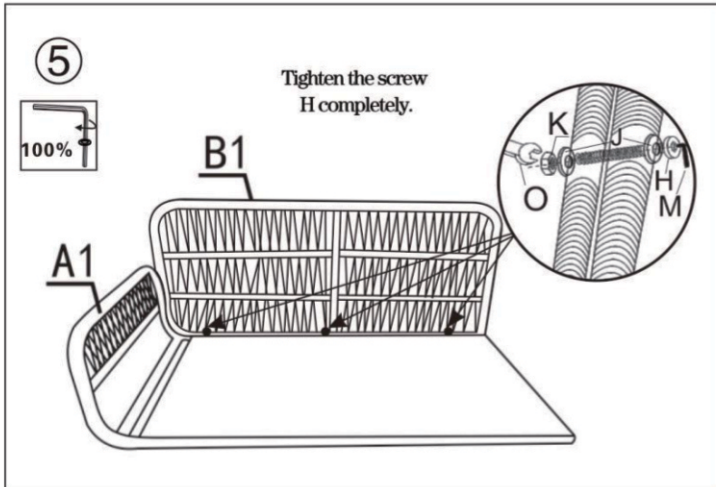
1. Please check the manual carefully and make sure you have received all the parts.
2. If there is any missing, please let us know the code of the parts you need.
3. If there is any damage, please send clear photos to us, our after sales team will reply to you within 24 hours(email:jm@nicesoulfurniture.com).”

ASSEMBLY INSTRUCTION

Part list			
NO.	Description	Drawing	Qty
A1	Seat		1pc
B1	Backrest		1pc
C1	Feet tube(short)		2pcs
D1	Cross bar(long)		2pcs
E1	Cushion		1pc
F	Throw Pillow		2pcs
G	Long throw pillow		1pc

Hardware list			
NO.	Drawing	Specification	Qty
H		Screw ϕ 6X70MM	4pcs
I		Screw ϕ 6X15MM	15 pcs
J		Washer	22pcs
K		Nut	3pcs
M		Allenkey	1pc
N		Connector	1pc
O		Wrench	1pc
P		Plastic parts	1pc





ASSEMBLY INSTRUCTION

Part list			
NO.	Description	Drawing	Qty
A2	Seat		1pc
B2	Backrest		1pc
C2	Feet tube (long)		2pcs
D2	Cross bar(short)		2pcs
E2	Cushion		1pc
F	Throw Pillow		1pc
G	Long throw pillow		1pc

Hardware list			
NO.	Drawing	Specification	Qty
H		Screw ϕ 6X70MM	3pcs
I		Screw ϕ 6X15MM	15pcs
J		Washer	20pcs
K		Nut	2pcs
M		Allenkey	1pc
N		Connector	1pc
O		Wrench	1pc
P		Plastic parts	1pc

①

A2*1
B2*1
J*1
H*1
M*1
P*1

②

J*4
M*1
H*2
K*2
O*1

③

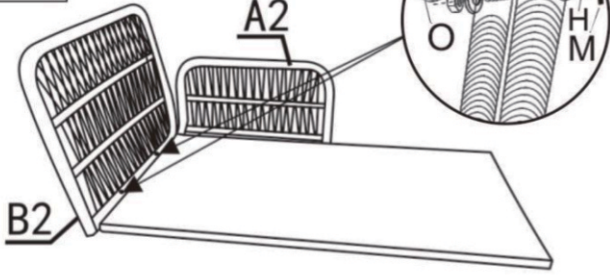
I*3
J*3
M*1
N*1

④

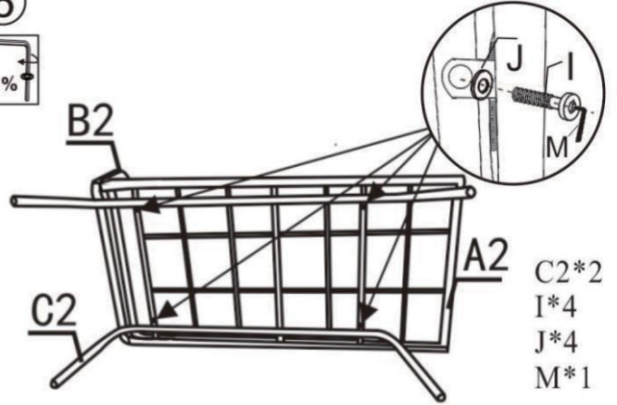
Tighten the screw H completely.

5

Tighten the screw H completely.

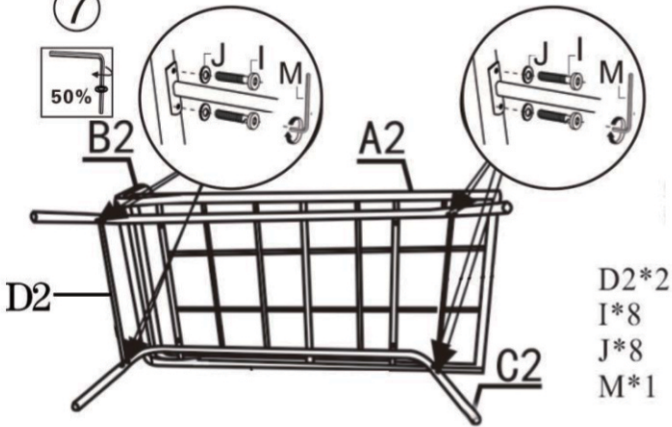


6



C2*2
I*4
J*4
M*1

7

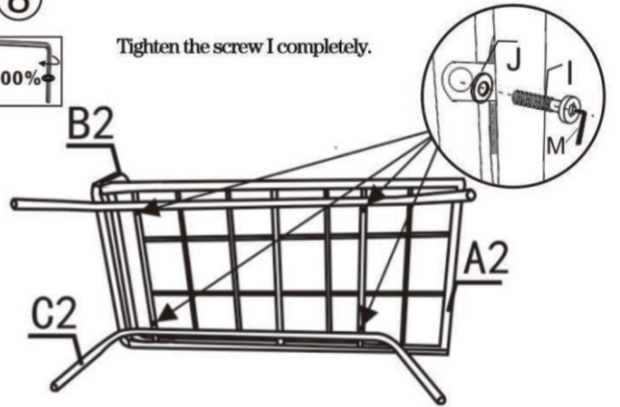


D2*2
I*8
J*8
M*1

8



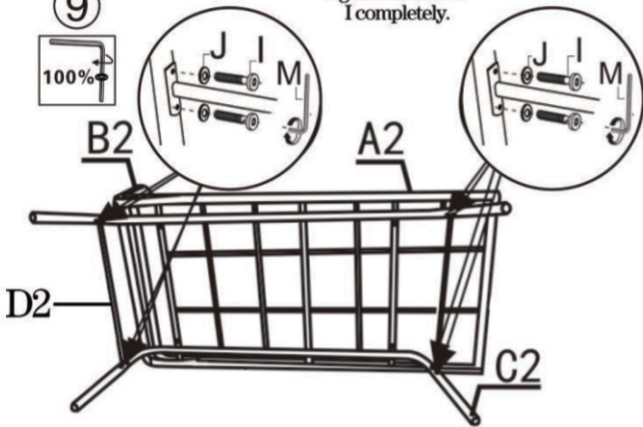
Tighten the screw I completely.



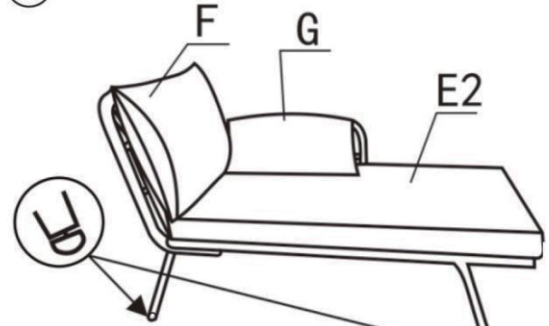
9



Tighten the screw I completely.

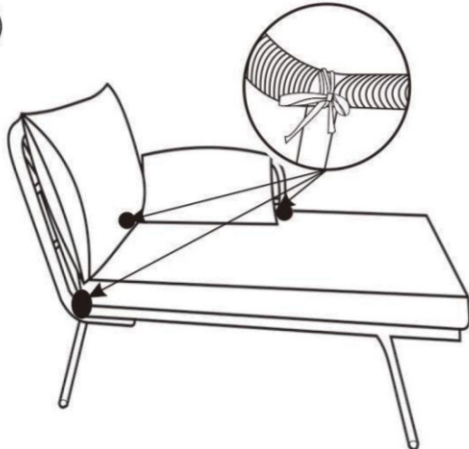


10



F*1
G*1
E2*1

11



12

