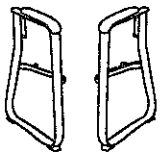


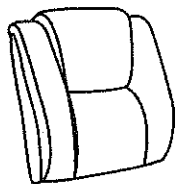
(1)x2 (1L&1R)



(2)x1



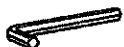
(3)x1



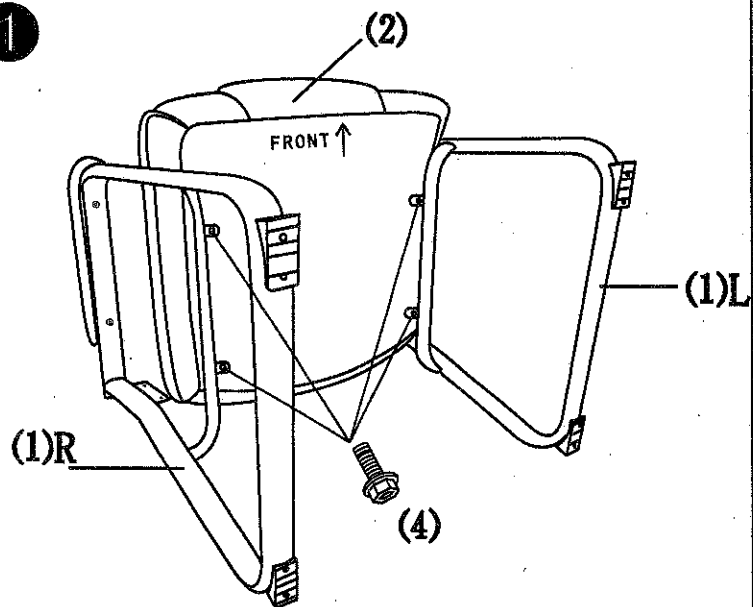
(4)x8



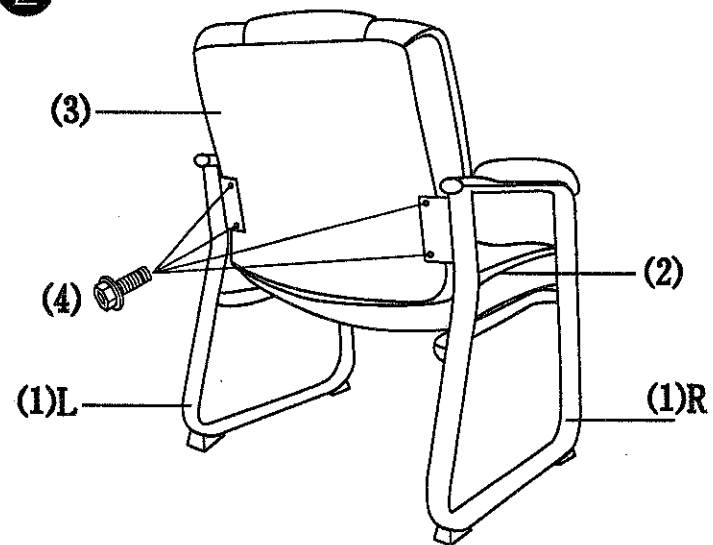
(5)x1



1



2



3

