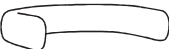


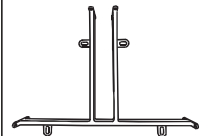
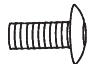
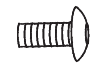


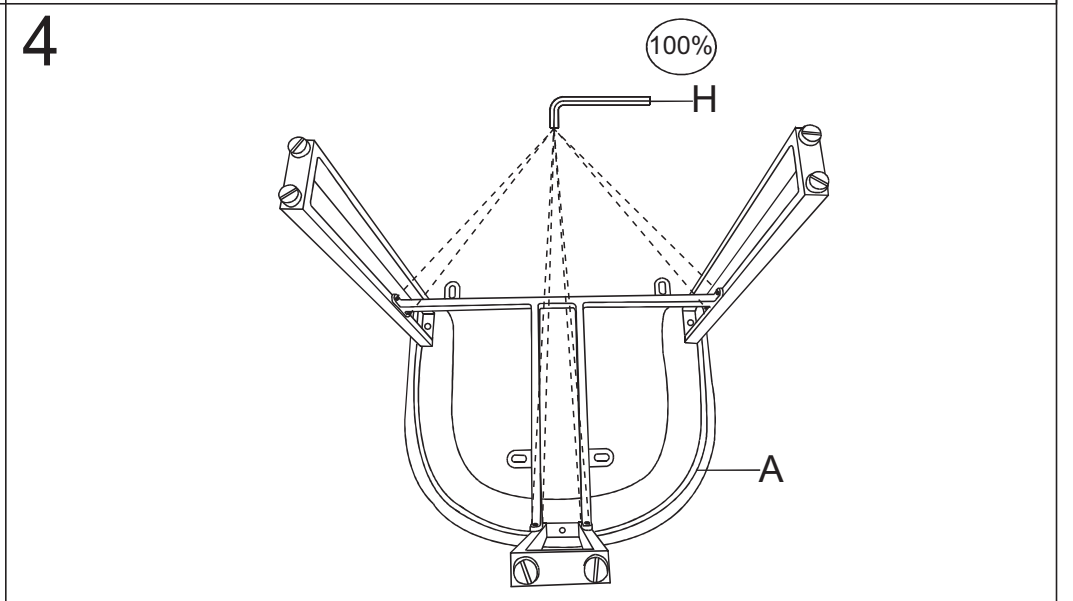
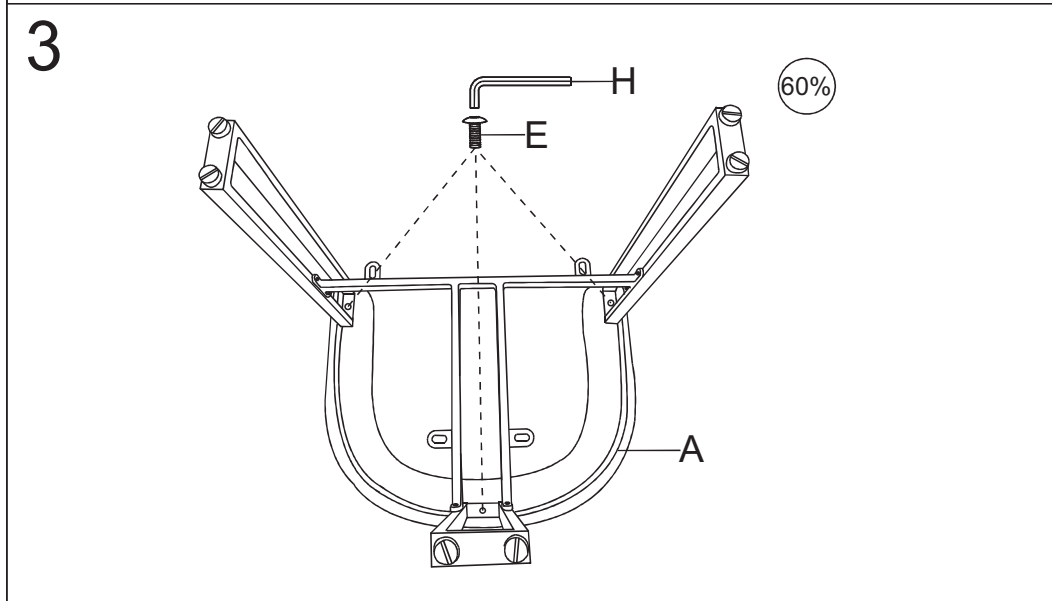
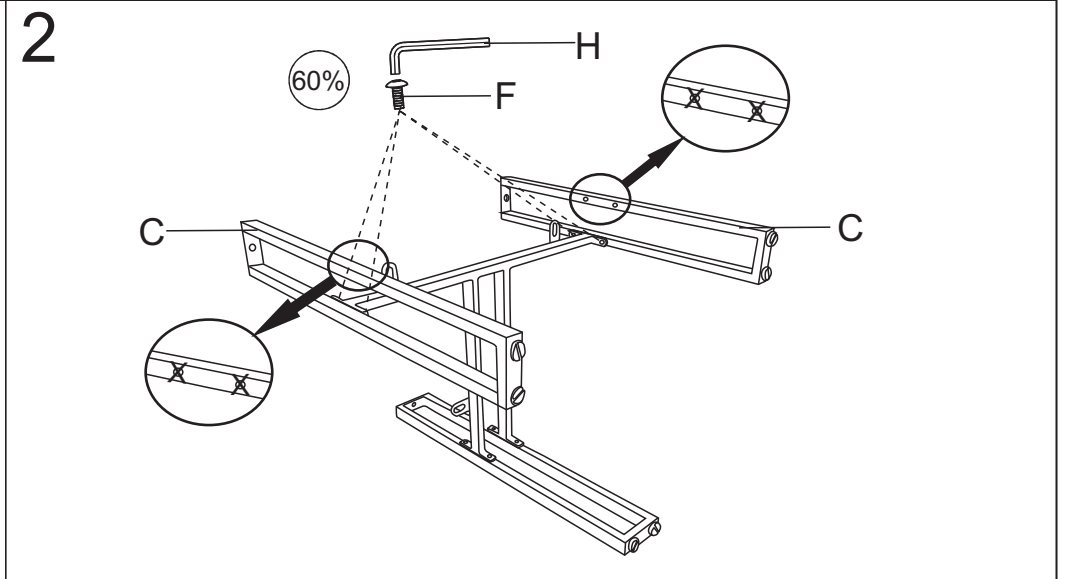
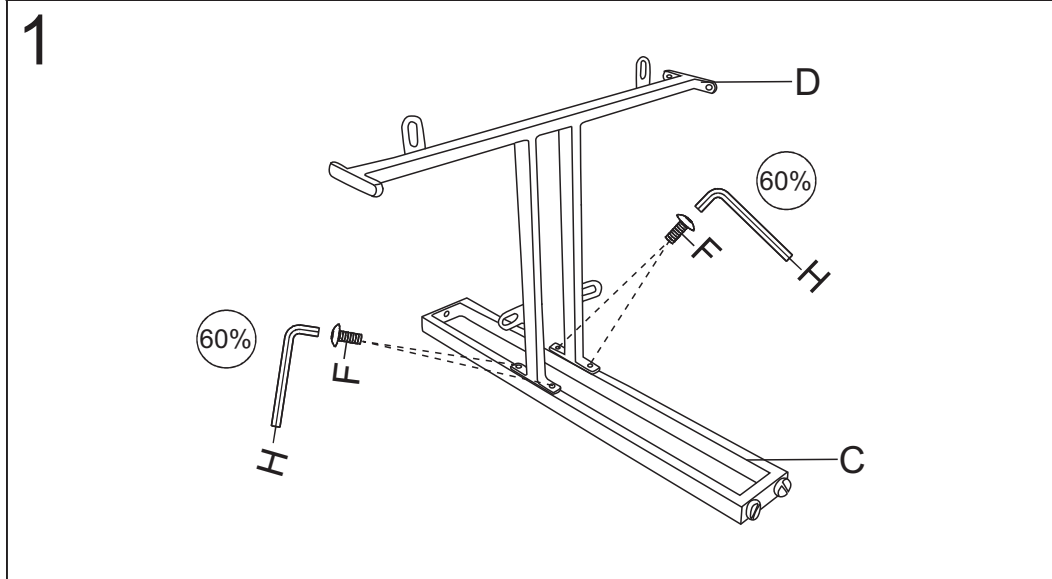


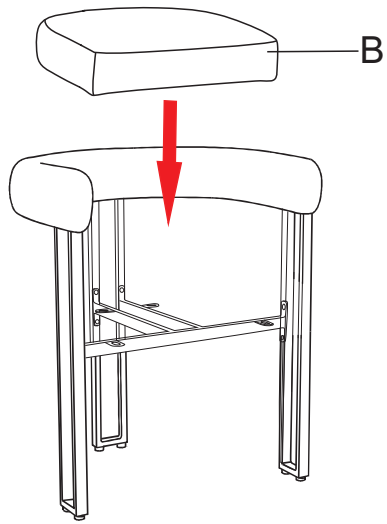
# ASSEMBLY INSTRUCTION

Ax1 	Bx1 	Cx3 	Dx1 	Ex3 M8*30MM 	Fx12 M6*20MM 	Gx4 6*16*1MM 	Hx1 M6 	
--	--	--	--	--	--	--	--	--

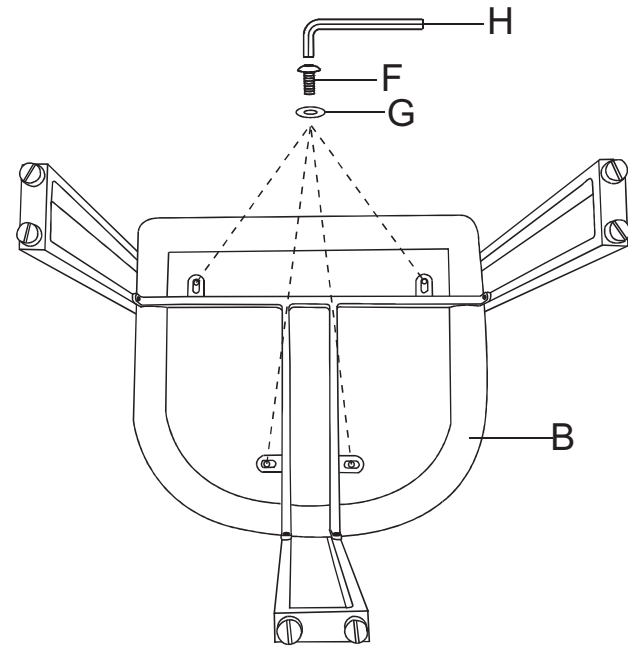


# ASSEMBLY INSTRUCTION

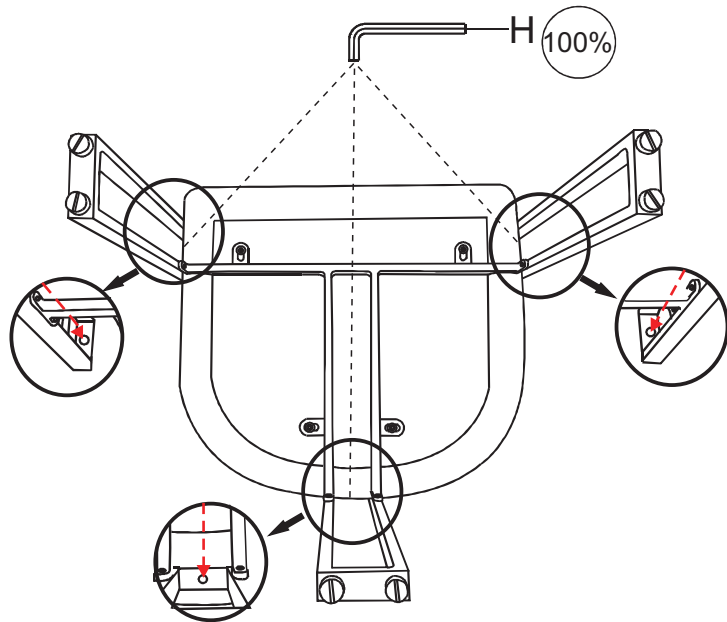
5



6



7



8

