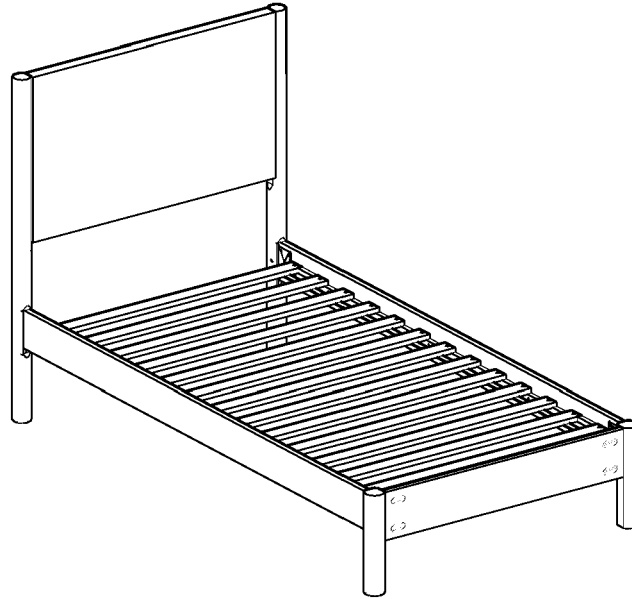
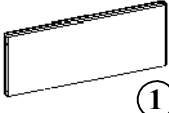
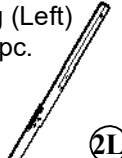



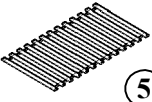




ASSEMBLY INSTRUCTIONS








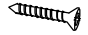

MODEL : BD731C-FS



COMPONENT

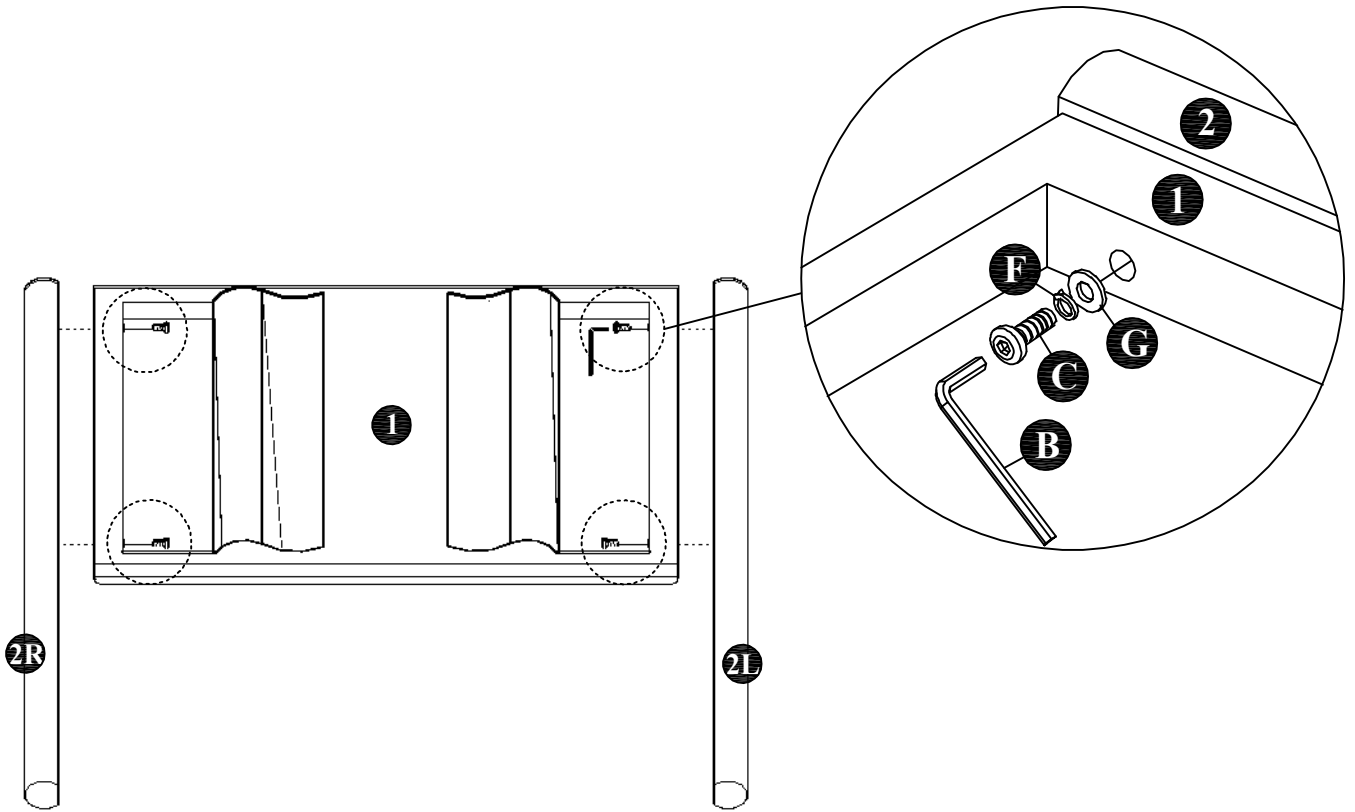
Headboard - 1 pc.  ①	Headboard Leg (Left) - 1 pc.  ②L	Headboard Leg (Right) - 1 pc.  ②R	Side Rail - 2 pcs.  ③	Footboard - 1 pc.  ④	Slats - 13 pcs.(1set)  ⑤	FB Leg(Left) - 1 pc.  ⑥L	FB Leg(Right) - 1 pc.  ⑥R
---	--	---	---	--	---	--	---

HARDWARE

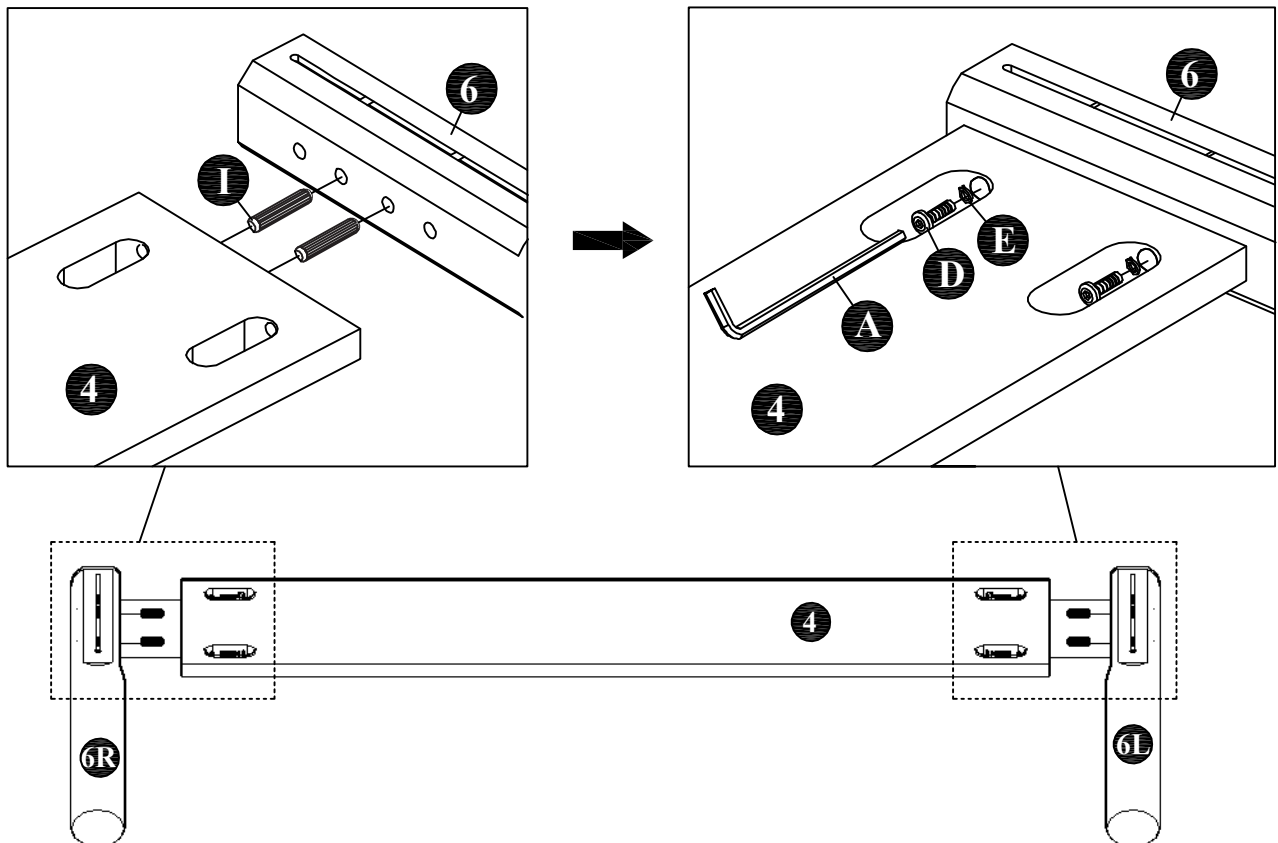
Allen Key M4 (Long Ball Head) - 1 pc.  ①A	Allen Key M5 - 1 pc.  ①B	JCBB Bolt M8 x 35mm - 4 pcs.  ①C	JCBC Bolt M6 x 40mm - 4 pcs.  ①D	M6 Spring Washer - 4 pcs.  ①E	M8 Spring Washer - 4 pcs.  ①F	M8 Flat Washer - 4 pcs.  ①G	Wood Screw M4 x 25mm - 26 pcs.  ①H
Wood Dowel M8 x 30mm - 4 pcs.  ①I							

ASSEMBLY INSTRUCTIONS

STEP 1 :

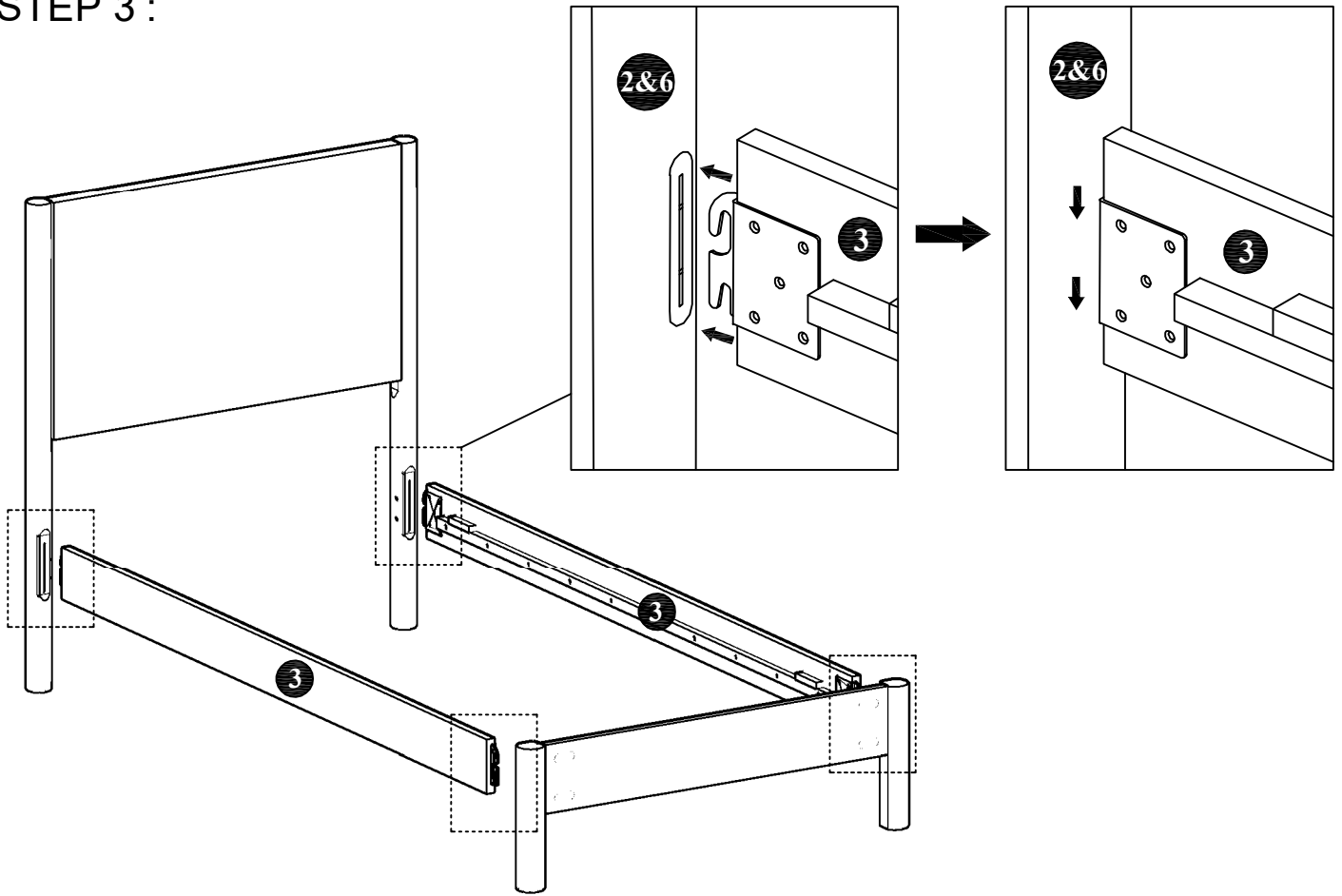


STEP 2 :

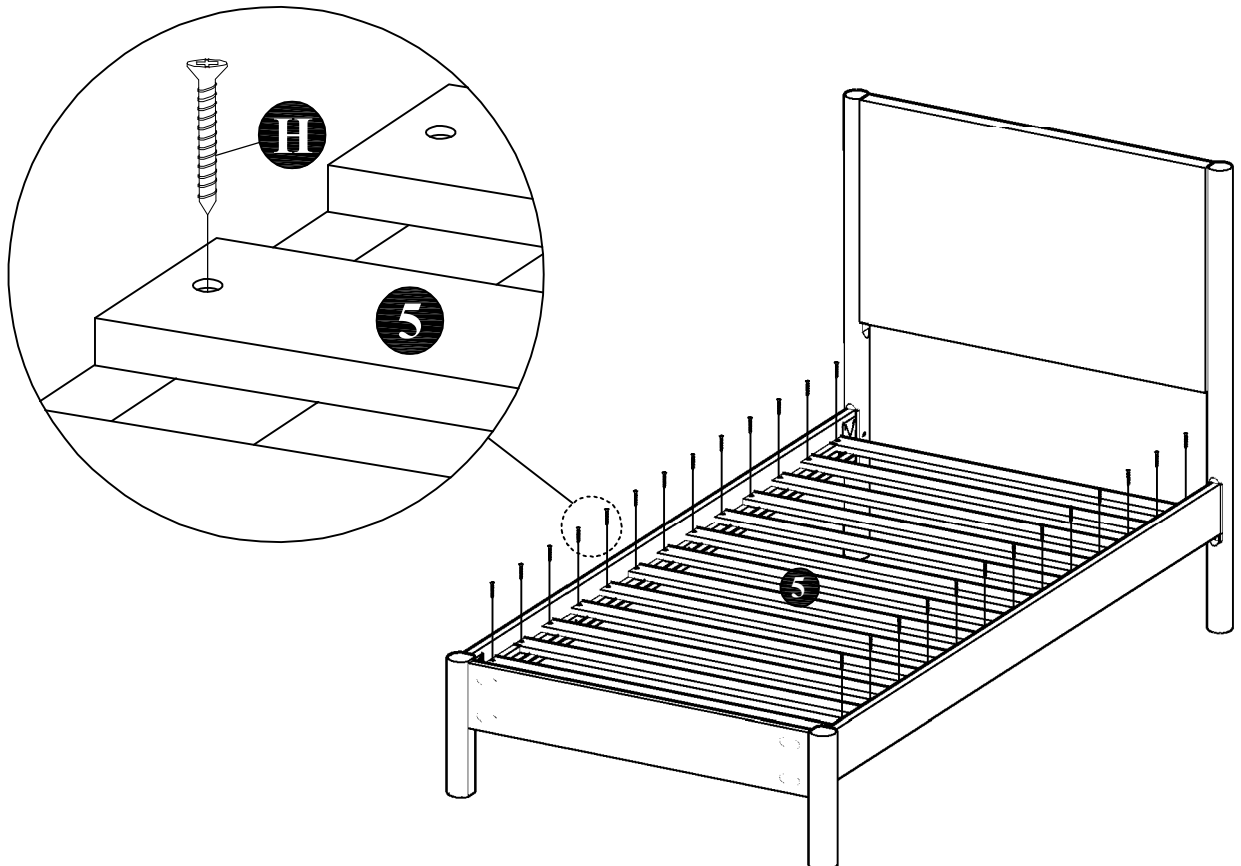


ASSEMBLY INSTRUCTIONS

STEP 3 :



STEP 4 :



ASSEMBLY INSTRUCTIONS

COMPLETE VIEW

IMPORTANT

Please lift up the bed to move
with 2 or more people.

DO NOT DRAG THE BED!

