



DESCRIPTION:

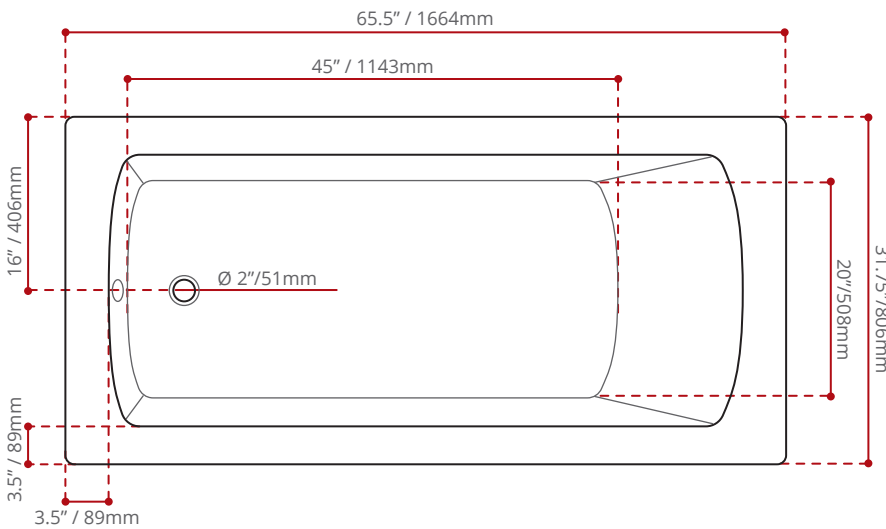
- Classic Style.
- High gloss / Crack-resistant acrylic.
- Made in Canada.
- Complies with CSA & IAPMO standards.

AVAILABLE OPTIONS:

- Biscuit & black Colour.
- Textured Bottom

JETTING OPTIONS:

- Lateral Air jets.
- Air illusion jets.
- Filler air jets.
- Square zen jets.
- Neck-Jet massage system.
- Whirlpool jets.
- V-Masseuse.
- Whirlpool V-Masseuse.
- Chromatherapy.
- Aromatherapy.
- Comfort Warm



WATER DEPTH

13.5" / 343mm

CAPACITY

68.55 gal.
259.5 litres of water

SHIPPING DIMENSIONS

68 x 34 x 24" / 1727 x 864 x 610mm

NET WEIGHT

31.75 kg / 70 lbs

GROSS WEIGHT

38.5 kg / 85 lbs

Measurements may vary ± 5mm
- Diagram NOT to scale -

