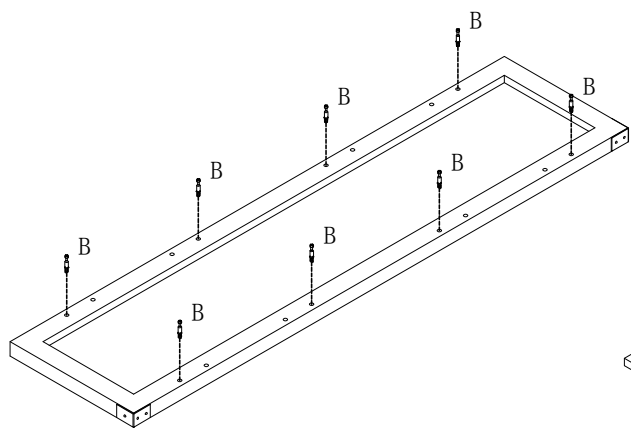
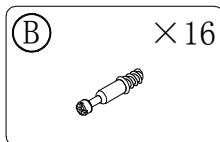
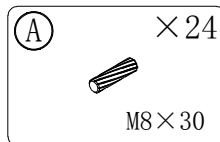
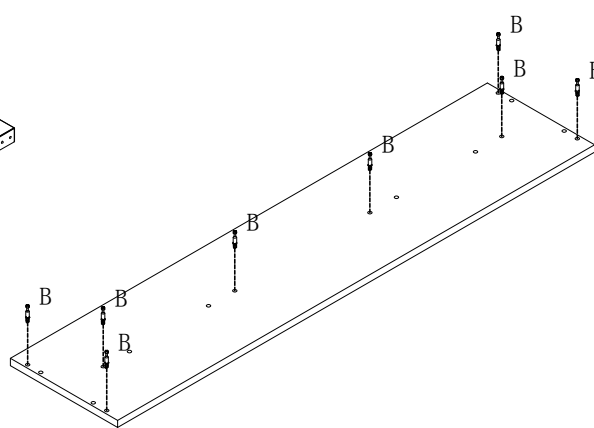


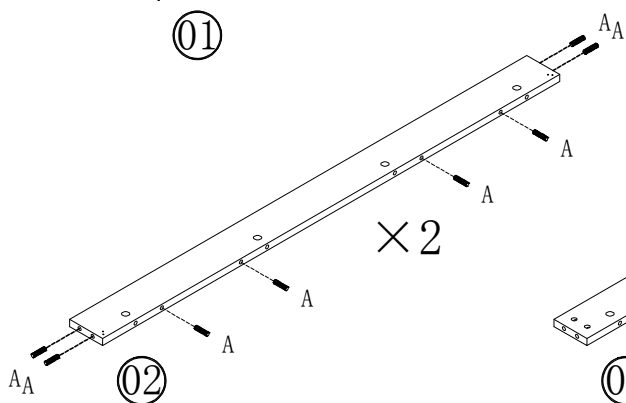
1



01

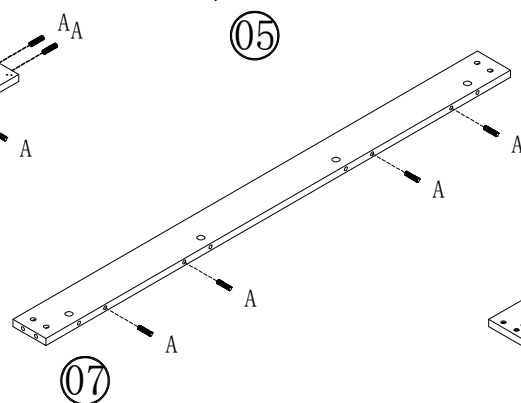


05

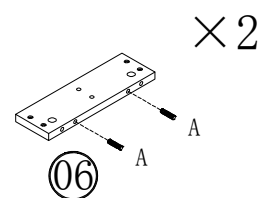


02

$\times 2$



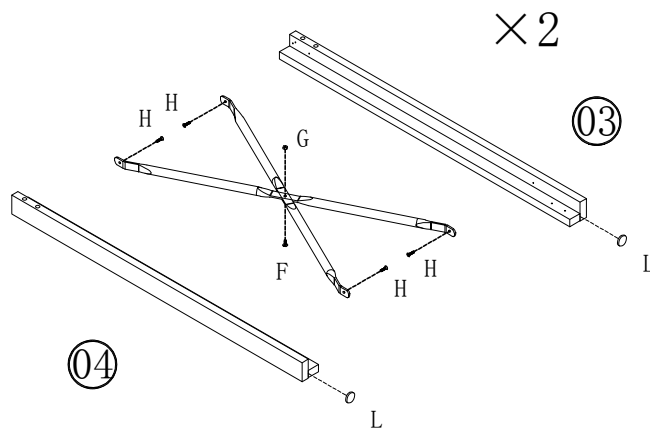
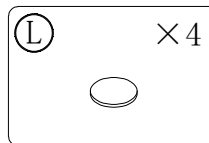
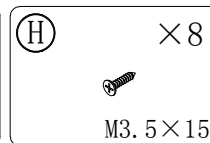
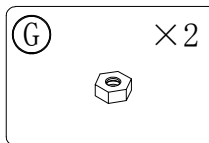
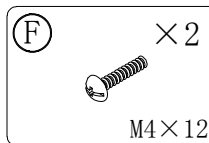
07



06

$\times 2$

2

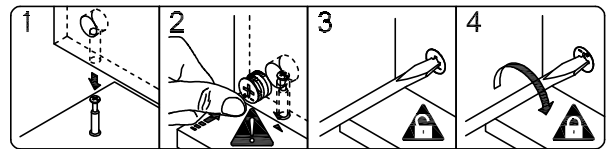
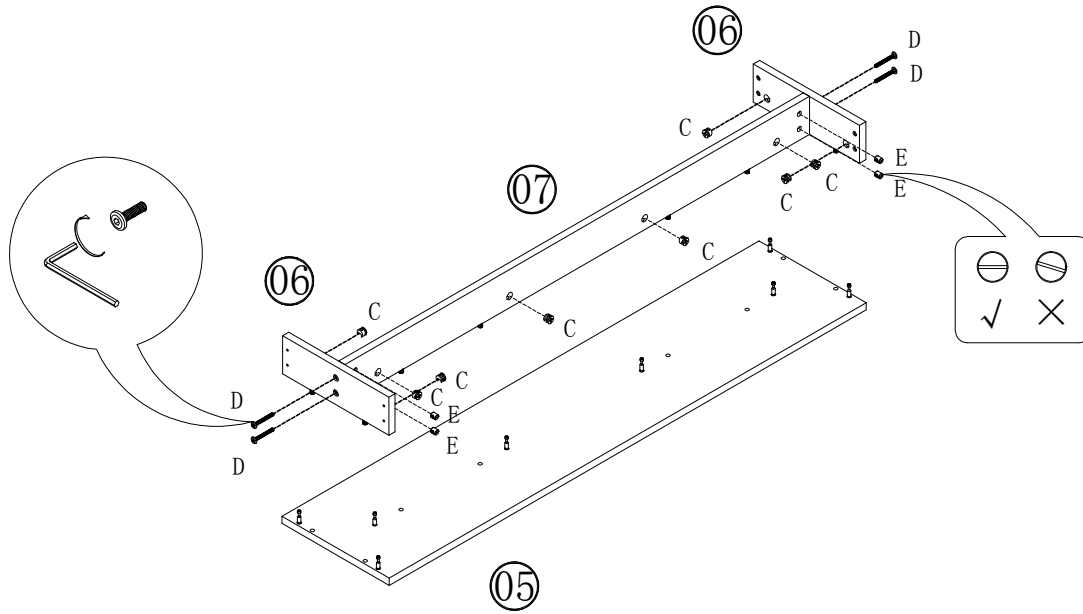
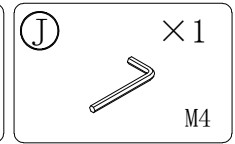
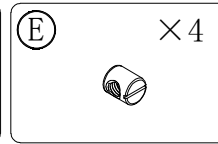
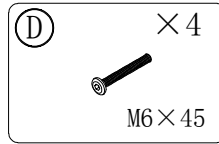
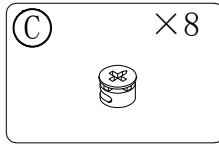


$\times 2$

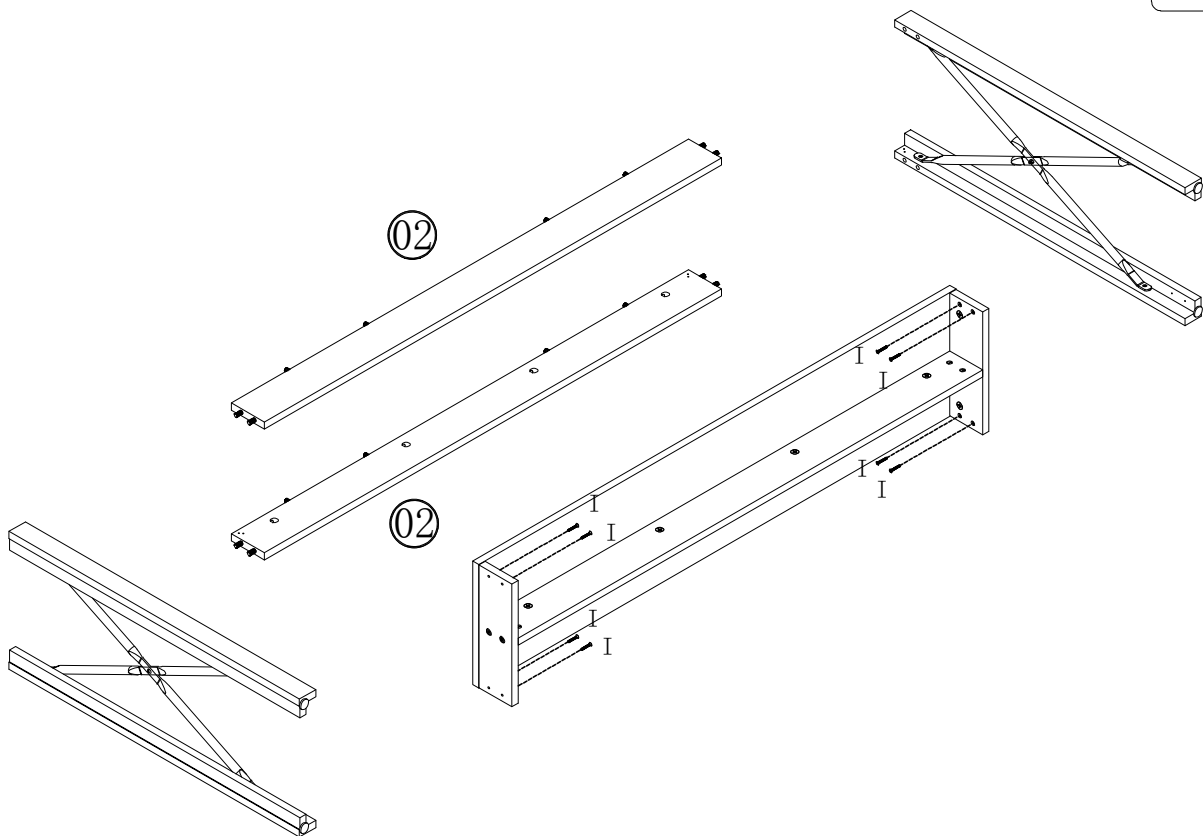
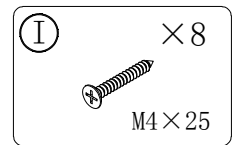
03

04

3



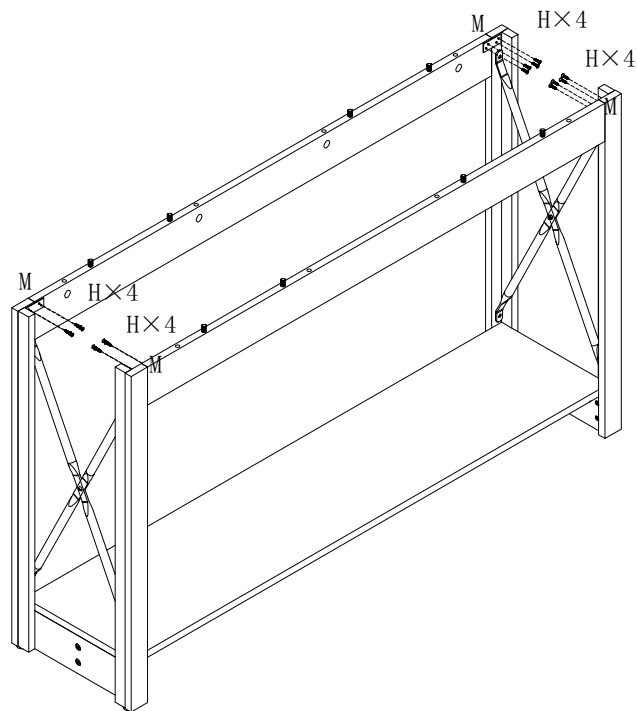
4



5

(H) × 16
M3.5×15

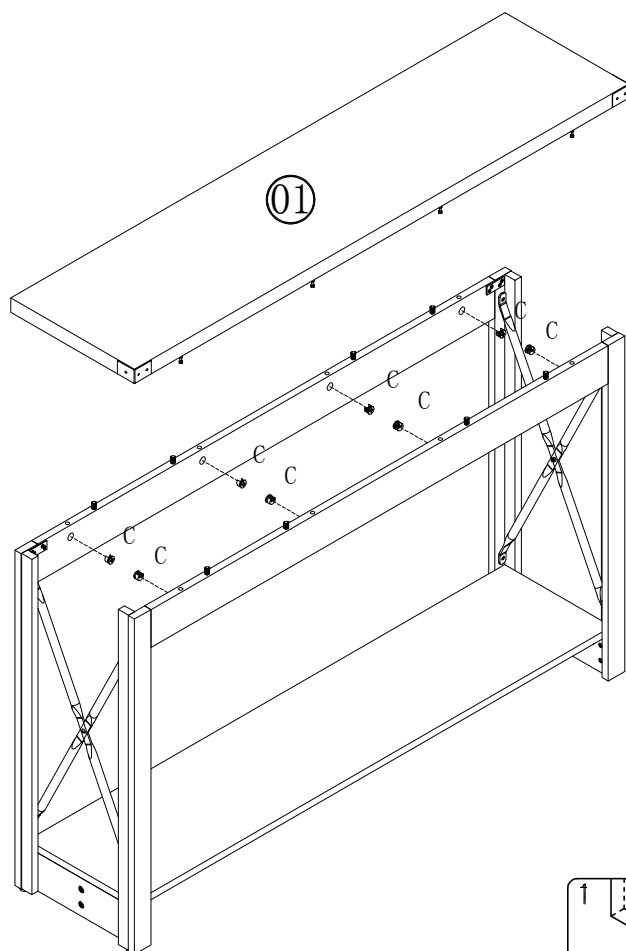
(M) × 4



6

(C) × 8

(L) × 12



5/5

