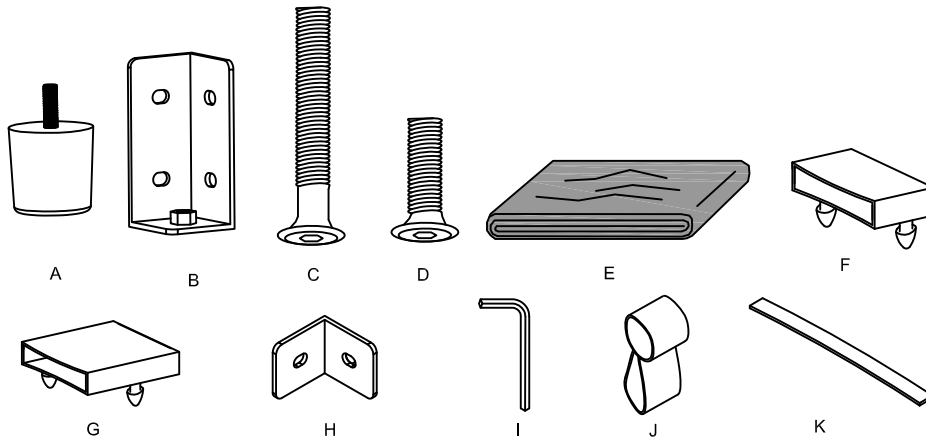


Accessory Information

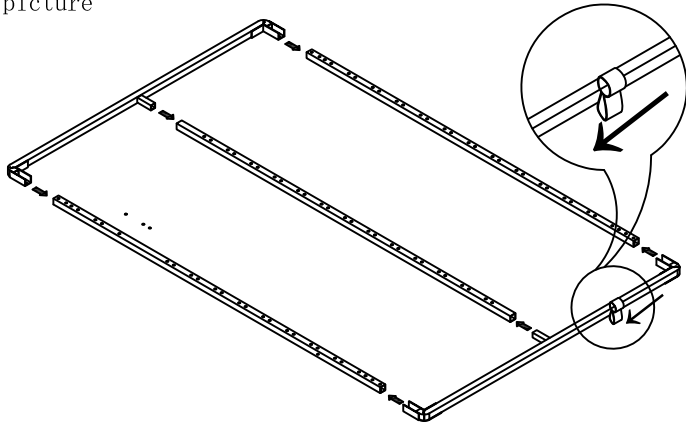
1. Please check the accessories when receiving the product;
2. Make sure the accessories are complete before assembly;
3. Please contact with the store for any accessory missing and after-sales service.



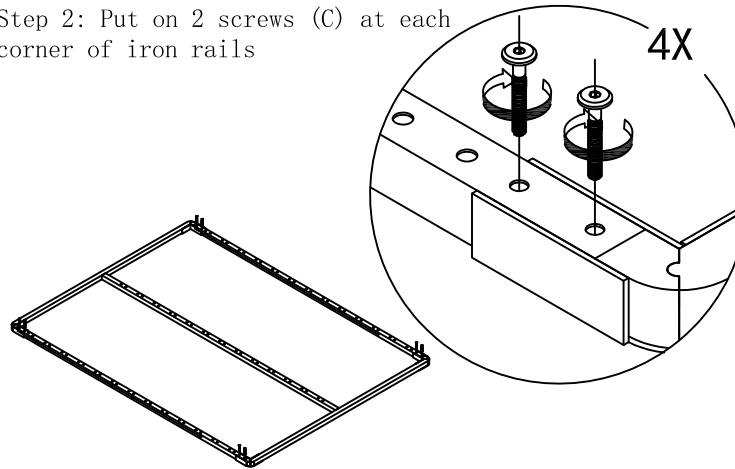
- A : leg x6
- B : Corner brackets x4
- C : M6X35 screws x8
- D : M6X20 screw x32
- E : Bed bottom cloth x1
- F : Single hole slat buckle x26
- G : Double hole slat buckle x13
- H : Double hole small corner brackets x4
- I : Small wrench x1
- J : Handle x1
- K : Slat x26

Product Assembly Instruction

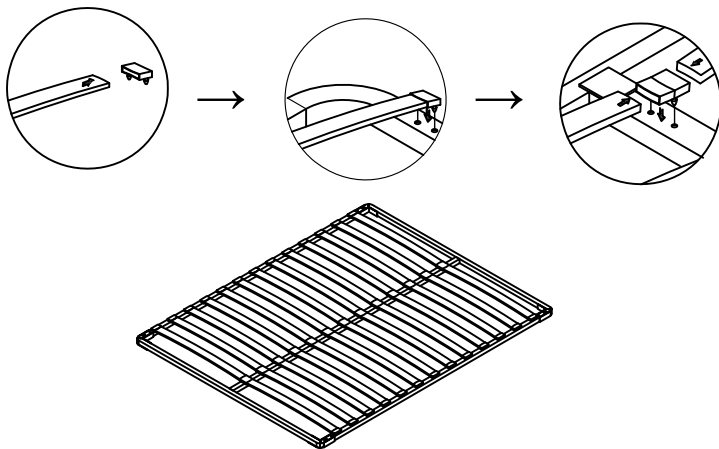
Step 1: First install the handle and then insert the end iron frame into the iron pipe, with the direction shown in picture



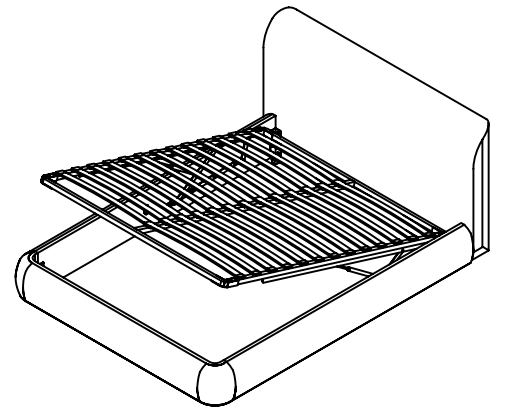
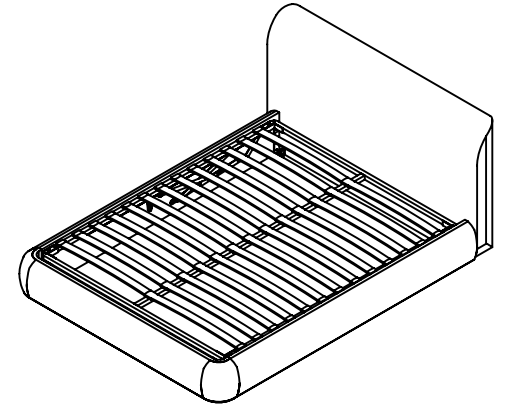
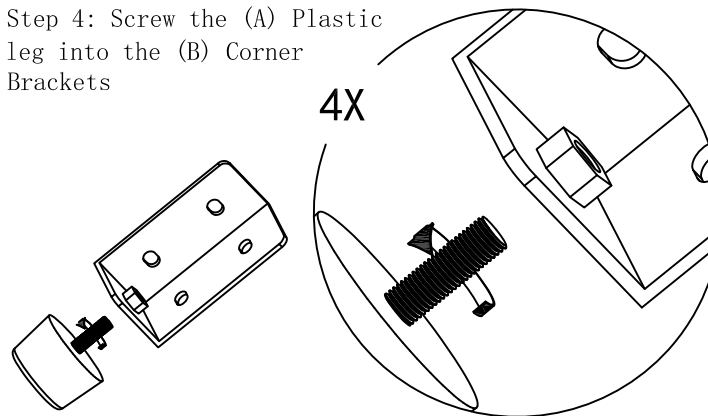
Step 2: Put on 2 screws (C) at each corner of iron rails



Step 3: Install the slats as shown



Step 4: Screw the (A) Plastic leg into the (B) Corner Brackets



Product Name: Lula storage bed

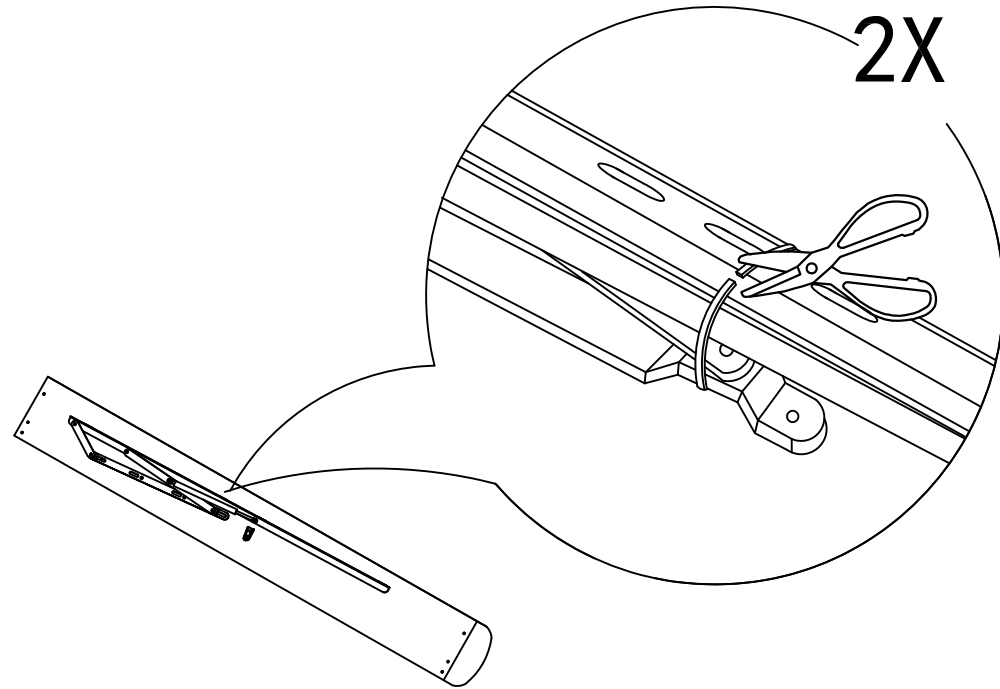
Product Size: King

Assembly Person Needed: 2 persons

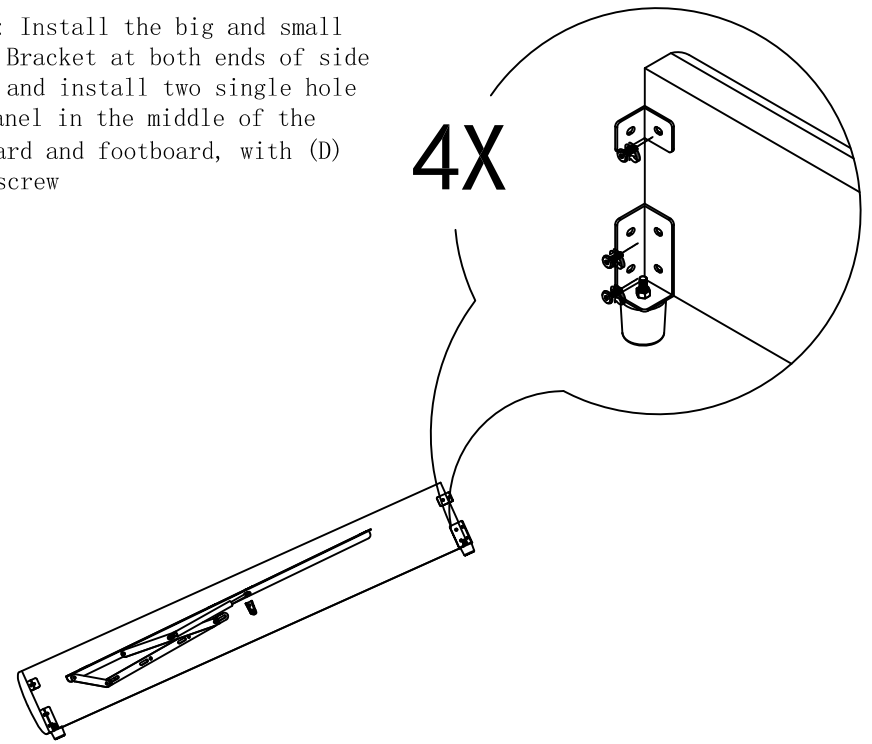
1. Please read this instruction carefully before assembly, and assemble strictly according to the instruction.

2. Please keep this instruction well, in case of next use.

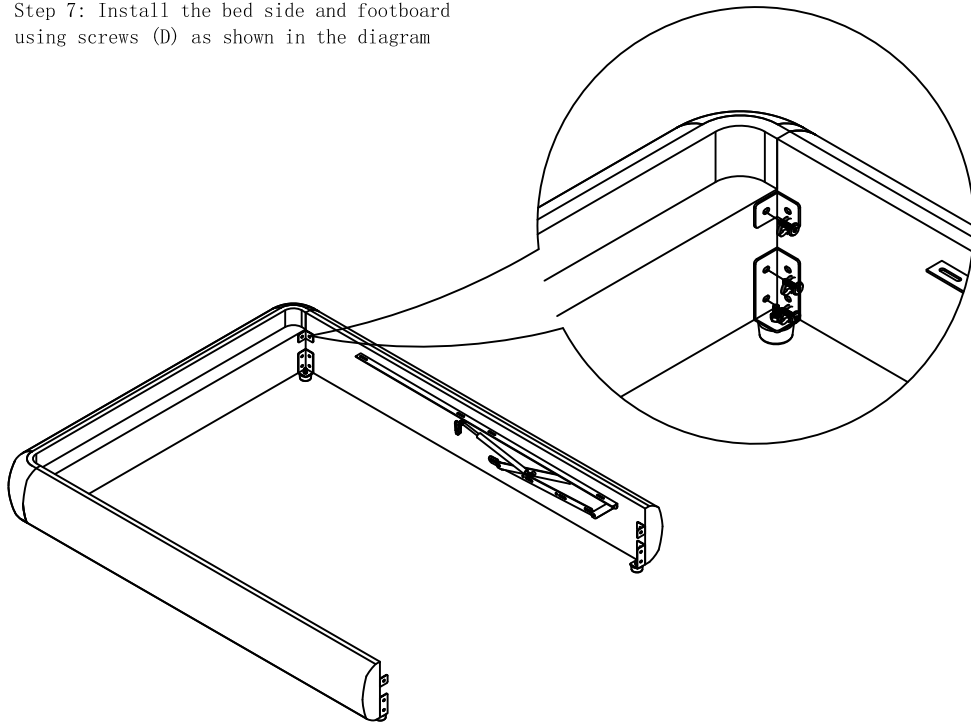
Step 5: Cut the tie of bed sides



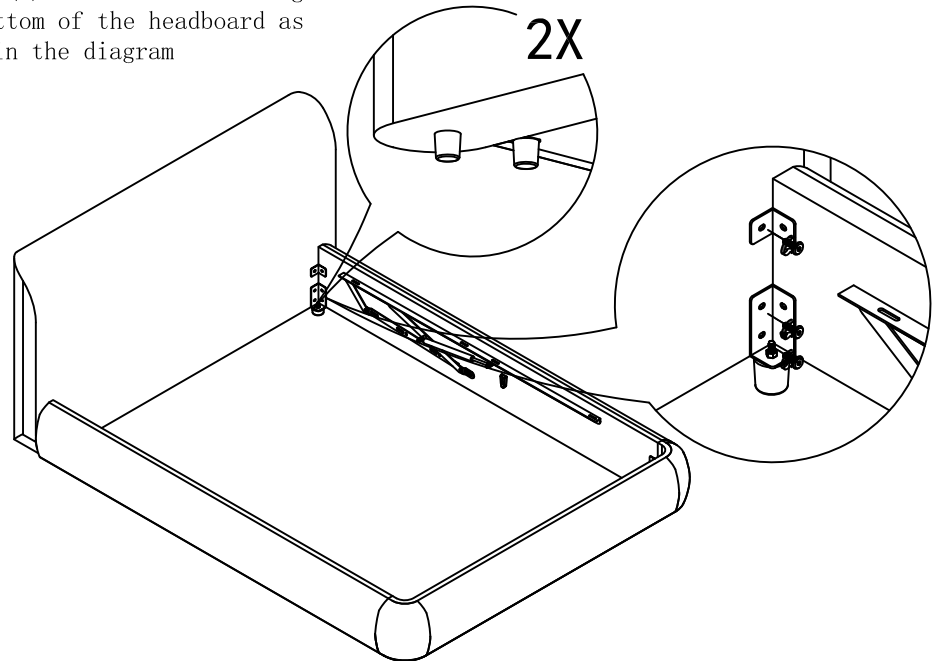
Step 6: Install the big and small Corner Bracket at both ends of side rails, and install two single hole iron panel in the middle of the headboard and footboard, with (D) M6X20 screw



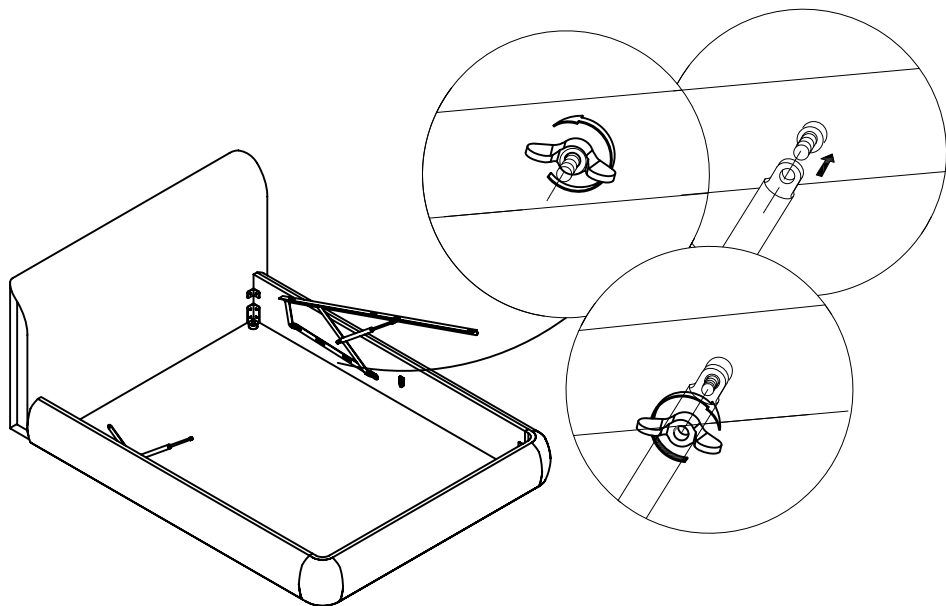
Step 7: Install the bed side and footboard using screws (D) as shown in the diagram



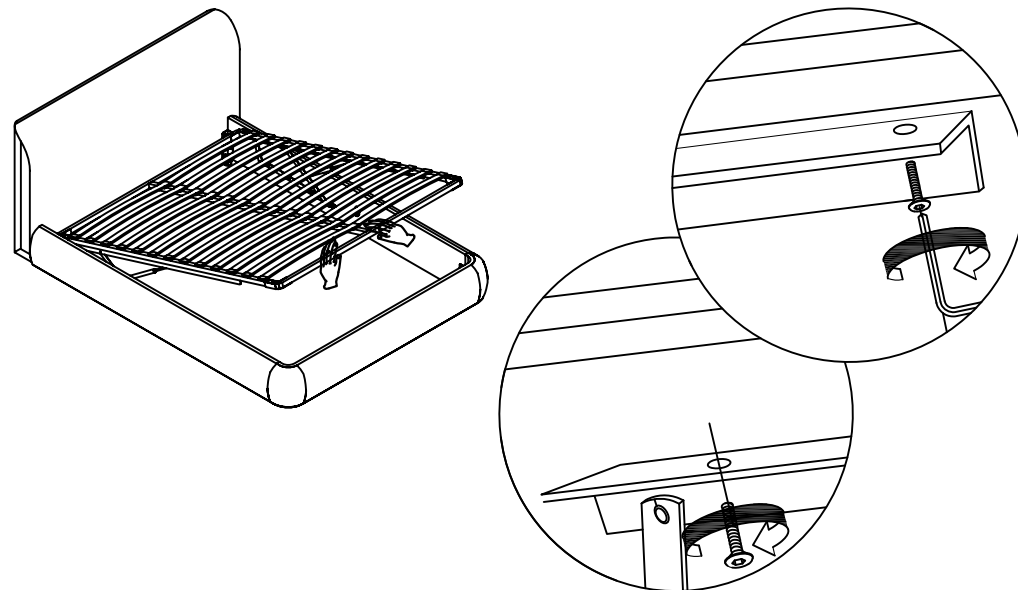
Step 8: Install the headboard with screws (D) and install the leg at the bottom of the headboard as shown in the diagram



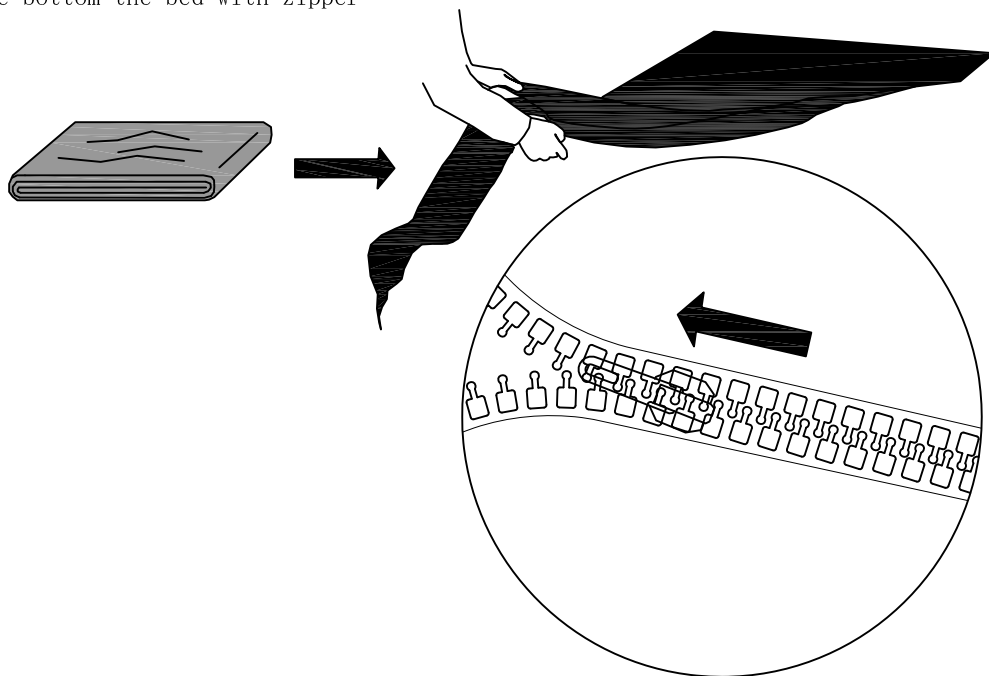
Step 9: Screw off the butterfly nut, put the pneumatic rod on, and screw the butterfly nut back on



Step 10: Lift the slat frame onto the bed frame, then one person hold it and the other person go to under the slat frame and screw 4 of (D) M6x20 Large flat head screws on each end



Step 11: Spread the bed bottom cloth and install it at the bottom the bed with zipper



Step 12: Insert the cross middle rail

