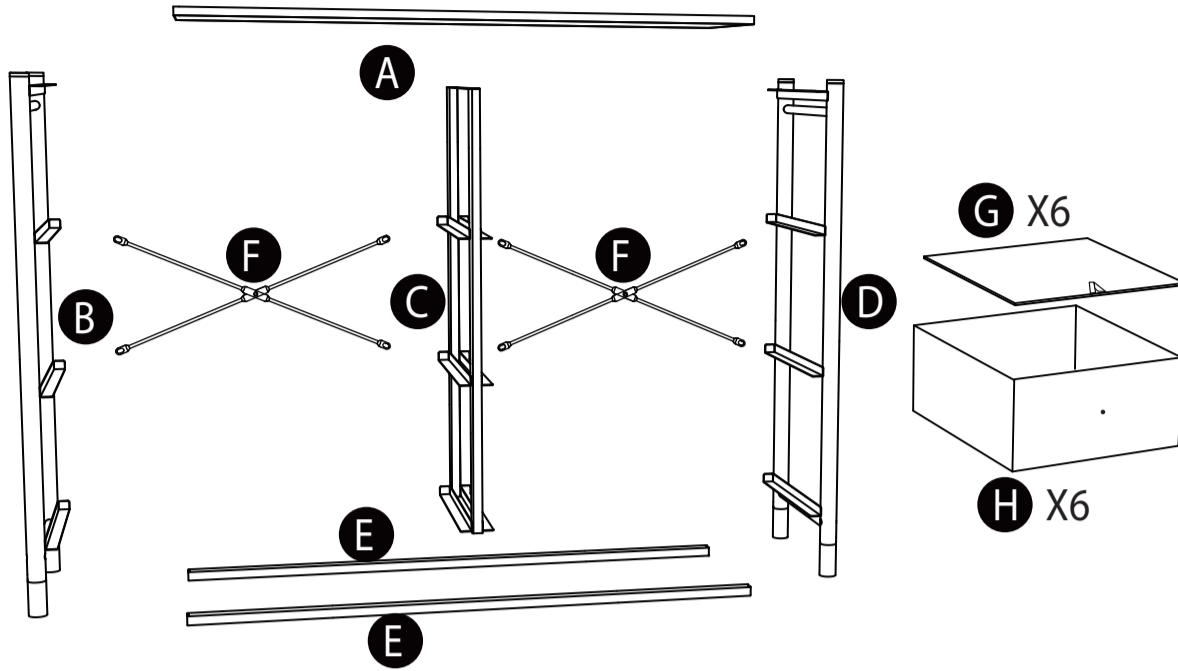


Assemble Instruction

Attention : Do not tighten the screws until you have complete setup assembly.



① 6pcs



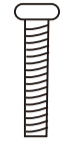
M4X14

② 6pcs



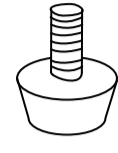
M6X10

③ 6pcs



M6X35

④ 6pcs



⑤ 4pcs

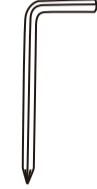


M4X60

⑥ 2pcs



⑦ 2pcs

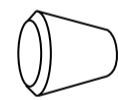
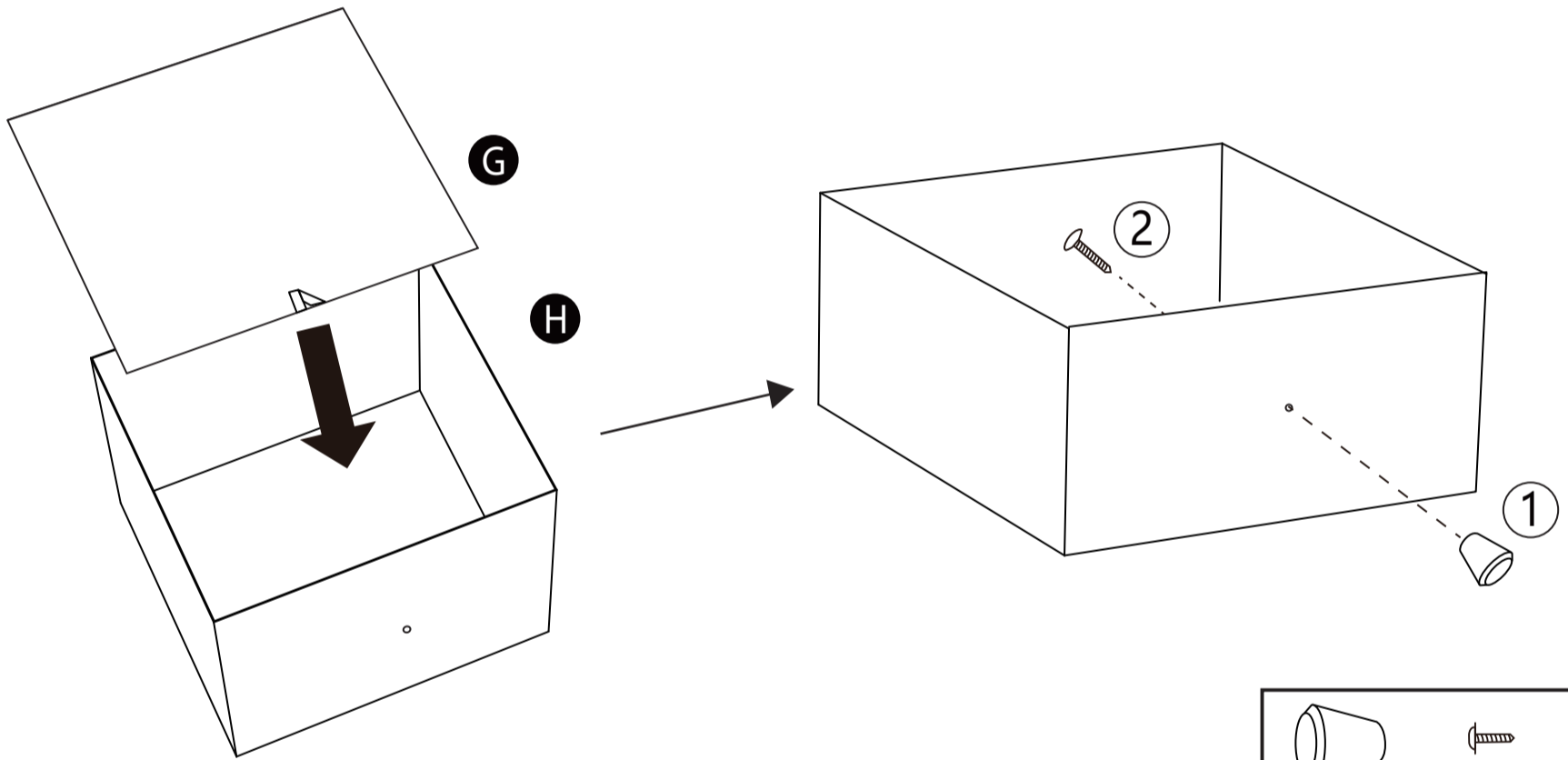


⑧ 1pc



M5X10
Special for Part F

⑨ 6pcs



① 6pcs



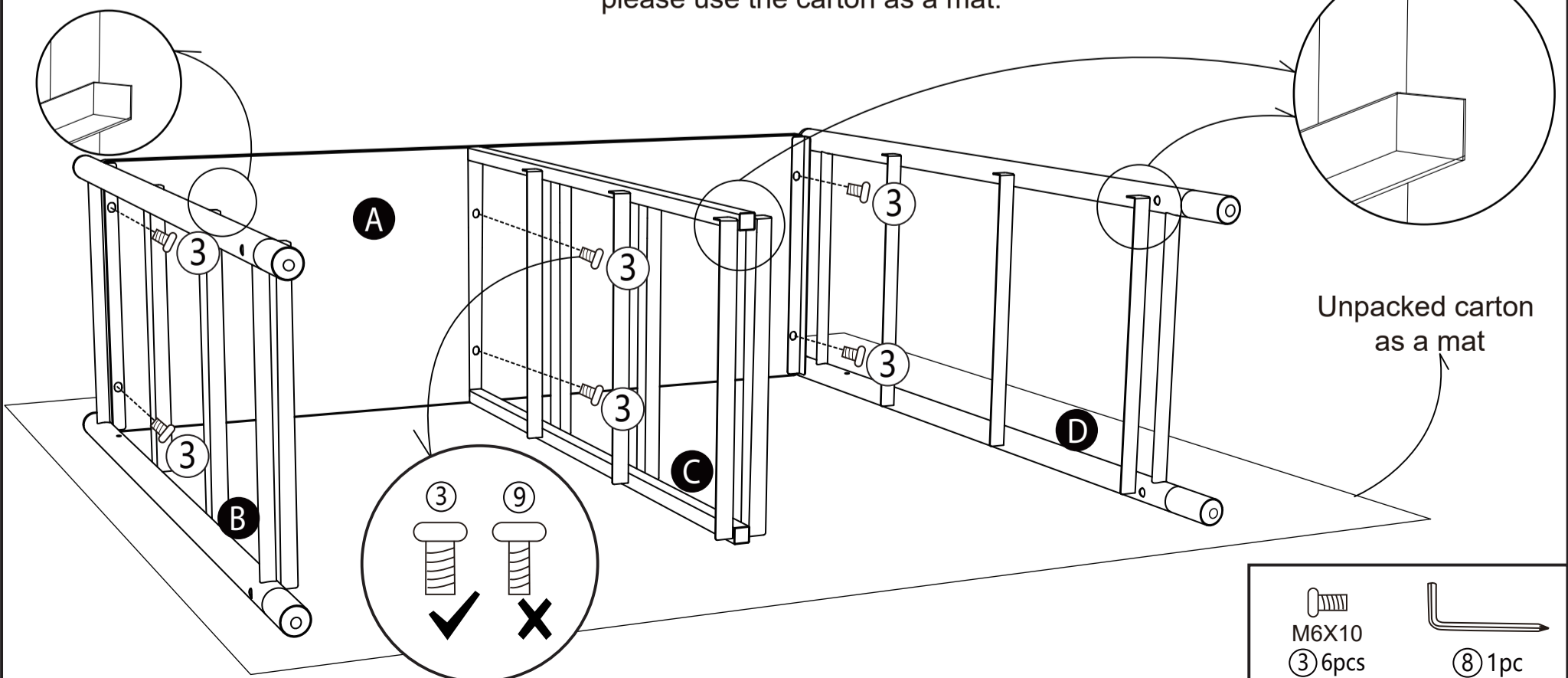
M4X14

② 6pcs



⑧ 1pc

Attention : To avoid scratches on the surface of product during assembly, please use the carton as a mat.



Unpacked carton
as a mat

M6X10
③ 6pcs

⑧ 1pc

