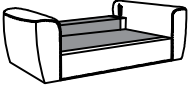
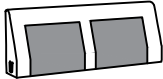






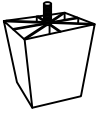

# ASSEMBLY INSTRUCTION

## LOVE SEAT (WITH 2 PILLOWS)

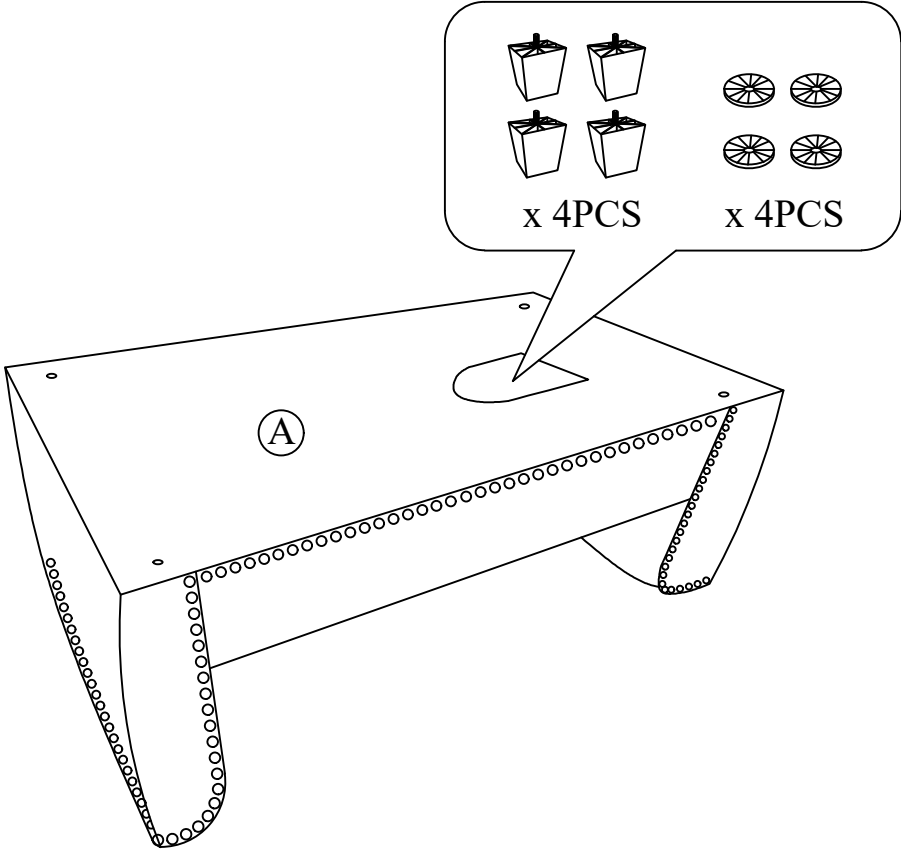


**NOTE:** Do not use power tools for assembly. The use of power tools increases the risk of over-tightening, which can result in wood splitting or cracking.

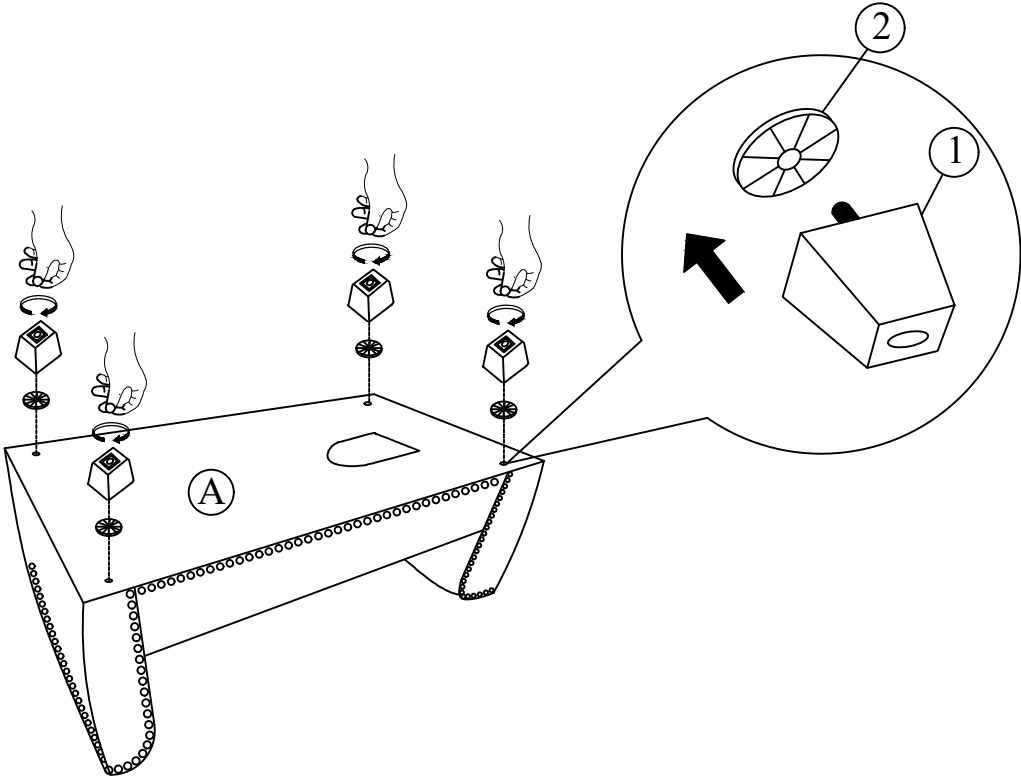
NO.	DRAWING	QTY	DESCRIPTION
A		1	LOVESEAT BASE
B		1	BACK REST
C		2	SEAT CUSHION
D		1	LSF BACK CUSHION
E		1	RSF BACK CUSHION
F		2	PILLOWS (18"x18")

HARDWARE LIST			
NO.	DRAWING	QTY	DESCRIPTION
1		4	PLASTIC LEGS (8CM)
2		4	WASHERS (Ø4.7CM)

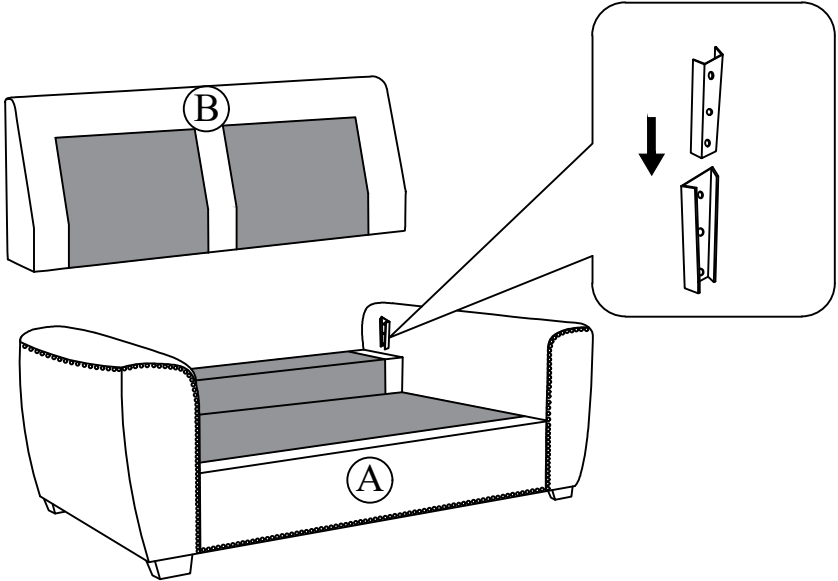
STEP 1



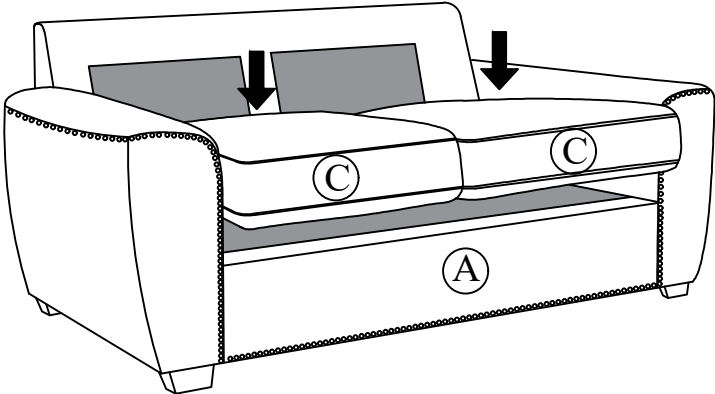
STEP 2



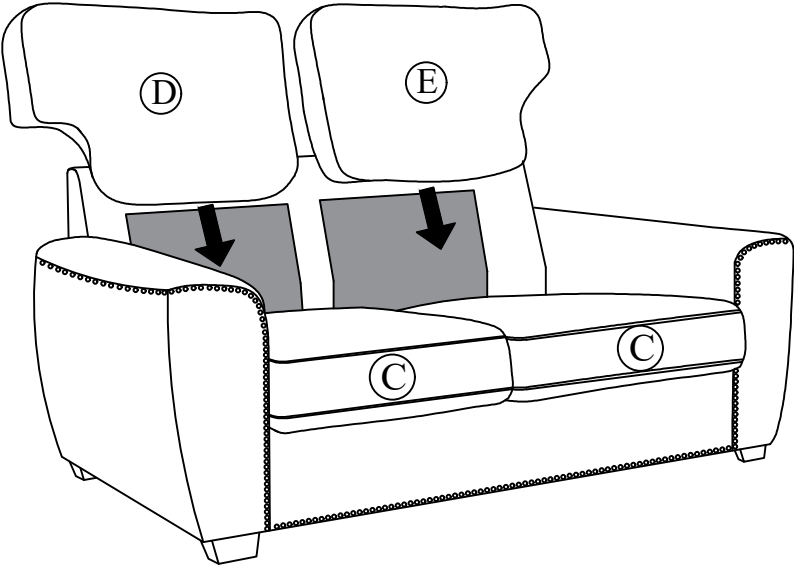
STEP 3



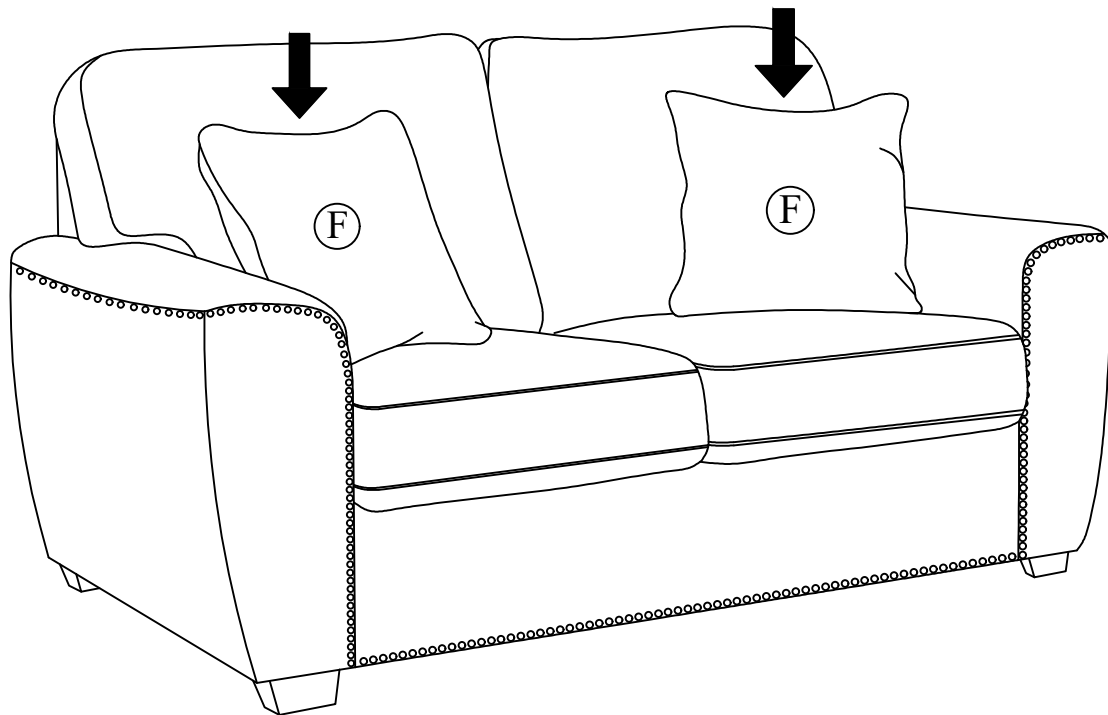
STEP 4



STEP 5



COMPLETED



### **Care Instruction for Chenille Furniture.**

In order to maintain the original appearance of your Chenille furniture, please follow below simple care procedures:

- Avoid exposing furniture directly to sunlight or heating and air conditioning outlets. Sunlight and/or exposure to heating and air conditioning outlets will fade/damage Chenille.
- Do not place your Chenille furniture too close to windows, radiators, or vents.
- Vacuum or wipe with a soft brush to remove dust.
- Hardware may loosen over time. Periodically check to make sure all connections are tight, Re-tighten if necessary.



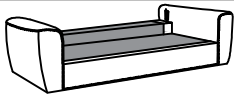
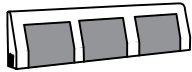





**For items use on wooden floor, hard surfaces or carpets, it is recommended to install protective pads under all legs and supports to avoid/prevent from damages/scratches and discoloration.**

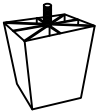

# ASSEMBLY INSTRUCTION

## SOFA (WITH 2 PILLOWS)

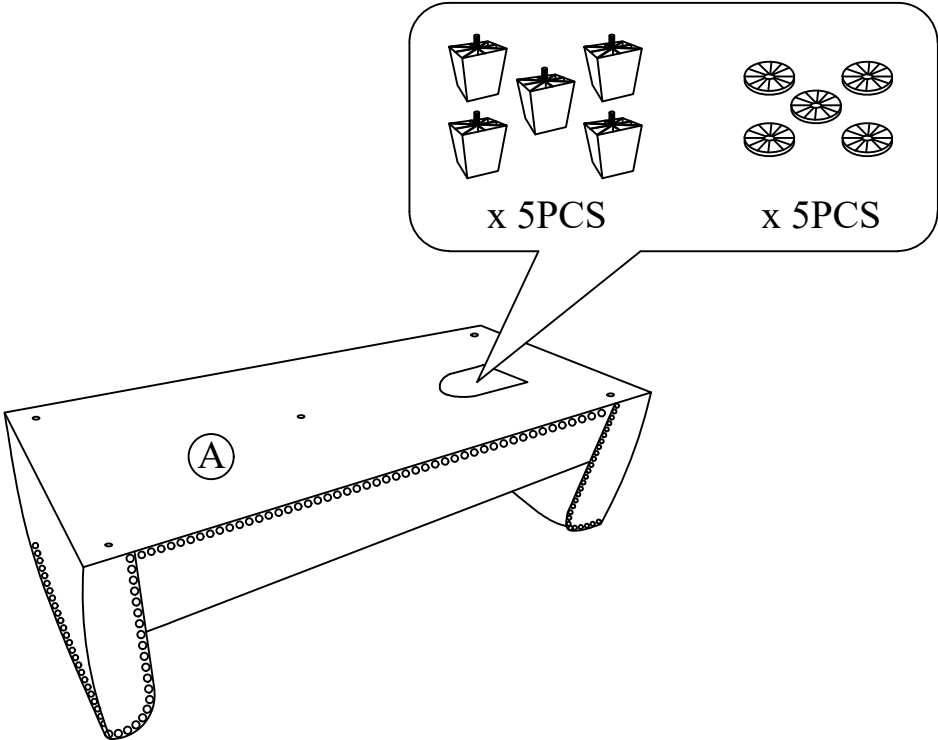


**NOTE:** Do not use power tools for assembly. The use of power tools increases the risk of over-tightening, which can result in wood splitting or cracking.

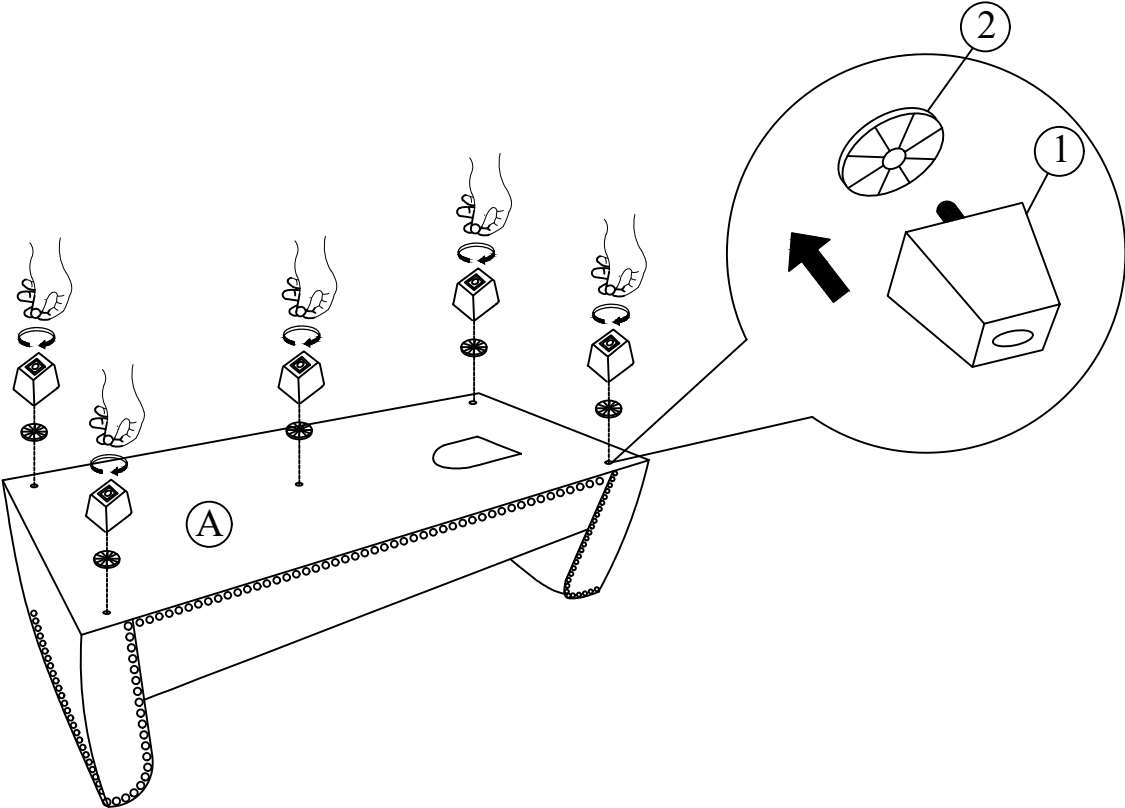
NO.	DRAWING	QTY	DESCRIPTION
A		1	SOFA BASE
B		1	BACK REST
C		3	SEAT CUSHION
D		1	LSF BACK CUSHION
E		1	MIDDLE BACK CUSHION
F		1	RSF BACK CUSHION
G		2	PILLOWS (18"x18")

HARDWARE LIST			
NO.	DRAWING	QTY	DESCRIPTION
1		5	PLASTIC LEGS (8CM)
2		5	WASHERS (Ø4.7CM)

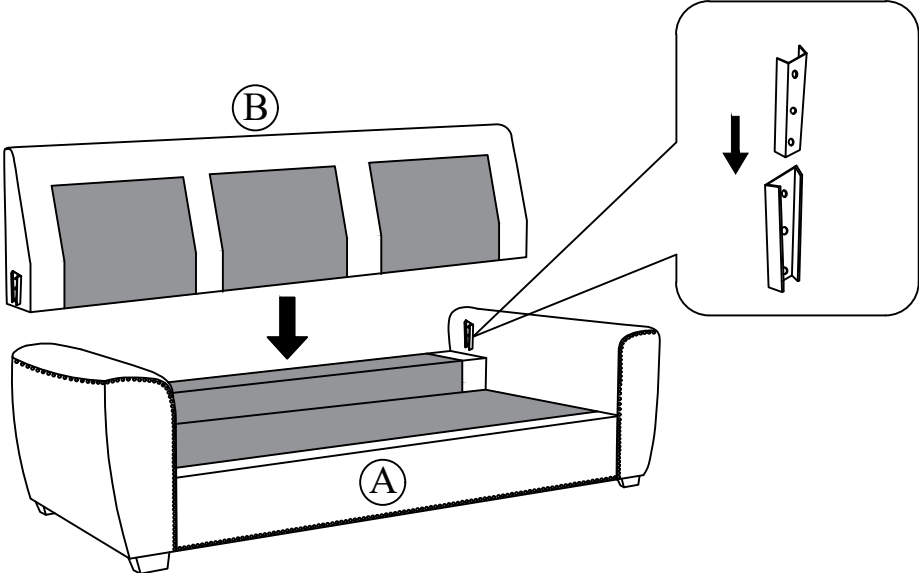
STEP 1



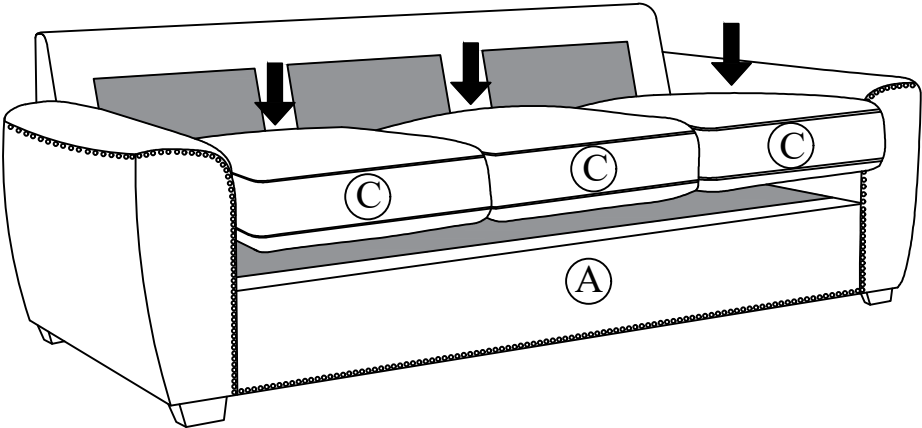
STEP 2



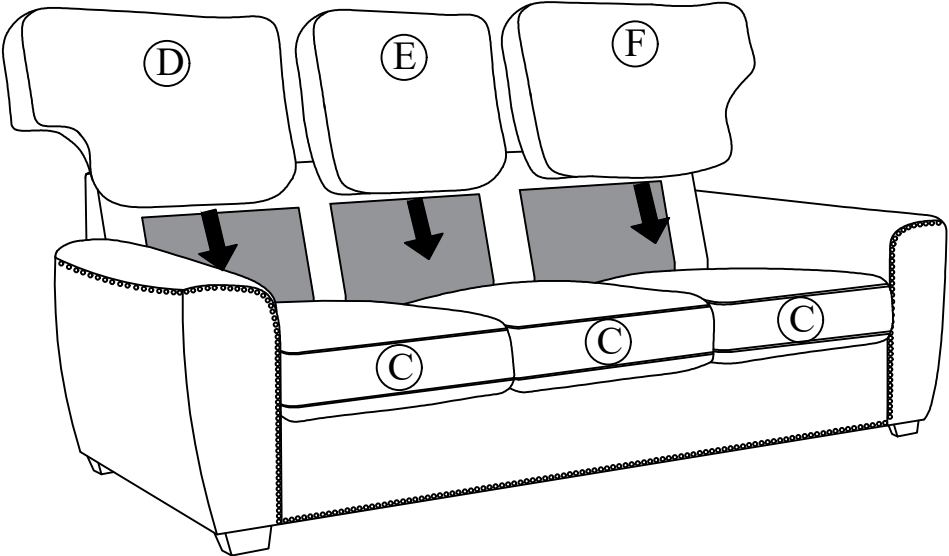
STEP 3



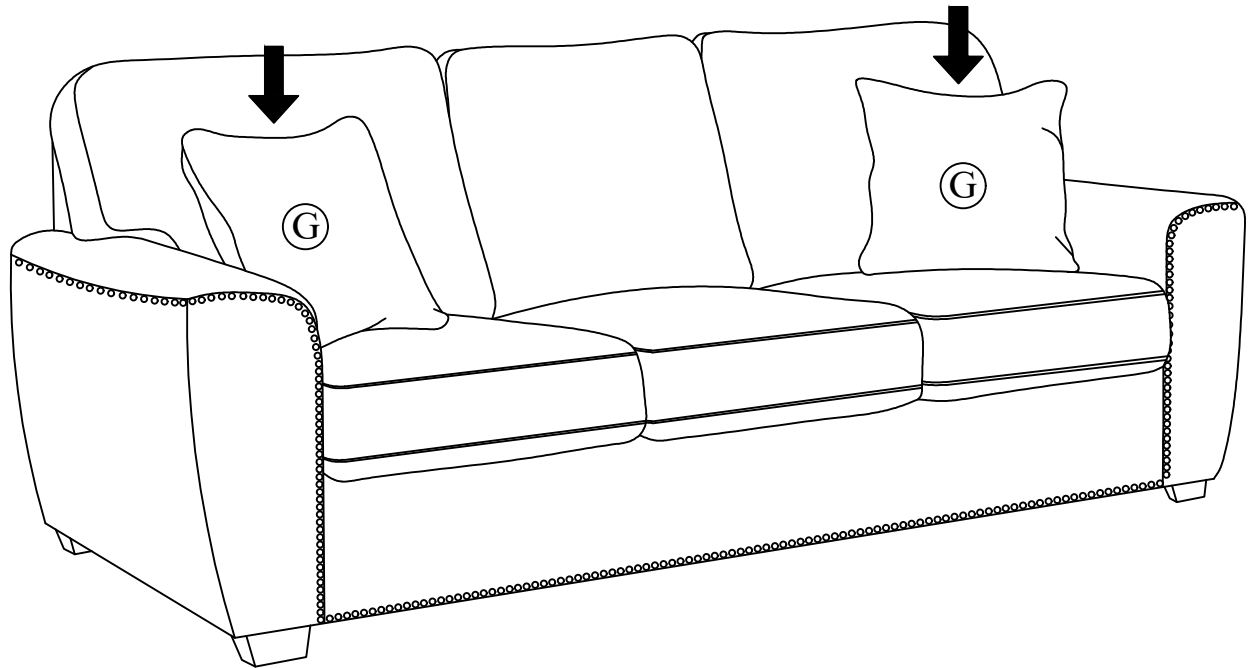
STEP 4



STEP 5



COMPLETED



### **Care Instruction for Chenille Furniture.**

In order to maintain the original appearance of your Chenille furniture, please follow below simple care procedures:

- Avoid exposing furniture directly to sunlight or heating and air conditioning outlets. Sunlight and/or exposure to heating and air conditioning outlets will fade/damage Chenille.
- Do not place your Chenille furniture too close to windows, radiators, or vents.
- Vacuum or wipe with a soft brush to remove dust.
- Hardware may loosen over time. Periodically check to make sure all connections are tight, Re-tighten if necessary.



**For items use on wooden floor, hard surfaces or carpets, it is recommended to install protective pads under all legs and supports to avoid/prevent from damages/scratches and discoloration.**