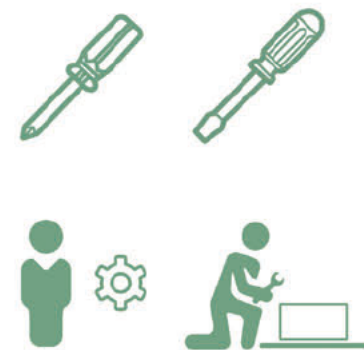


TOOLS:



UNIT:MM

1



948×240×15

2



948×240×15

3



932×240×15

4



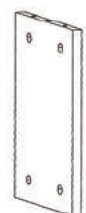
932×240×15

5



928×308×3

6×5



300×225×15

7×2



295×295×15

UNIT:MM

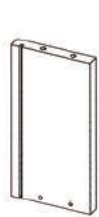
8



300×240×15

9

×2



200×100×15

10

×2



200×100×15

11

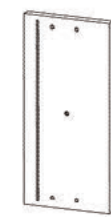
×2



260×195×3

12

×2



295×140×15

13

×2



250×100×15

14



300×240×15

15



928×308×3

UNIT:MM

A

×4



B

×44



M6×40

C

×44



Φ15×12

D

×40



M3.5×14

E

×8



M4×35

F

×18



Φ8×40

G

×4



H

×4



M4×20

J

×4



30×15

K

×16



10×10

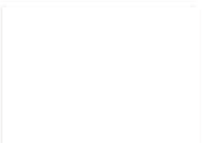


UNIT:MM

L × 4	M	N	O	P	Q	R × 2	S × 4	T × 2	U × 4	V × 20
-----------------	----------	----------	----------	----------	----------	-----------------	-----------------	-----------------	-----------------	------------------

		M4×45	φ 7.5×40	φ 4×1	M4×14		M3×14	35×12.5×1	φ 20	M3×12

BOLT INSTALLATION AS BELOW:



	BOLT
	Connecting piece

X	✓

Adjust connecting piece direction if condition as illustrated Insert bolt when Connecting piece under Such condition

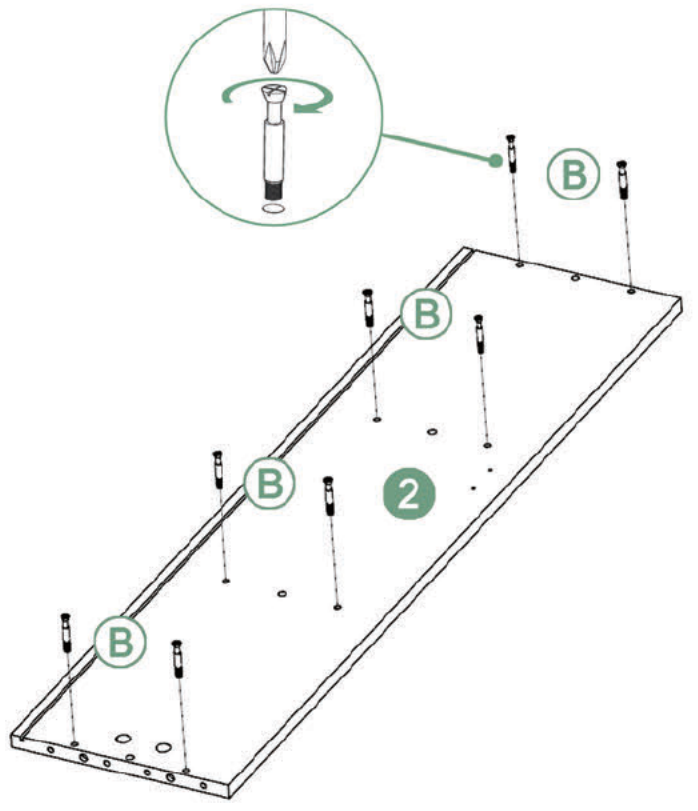
A1.

A2.

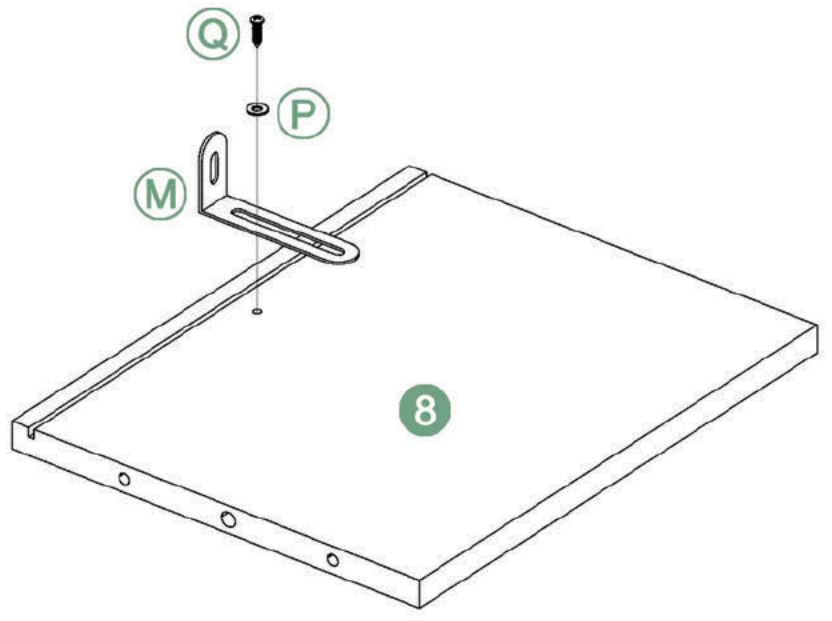
A3.

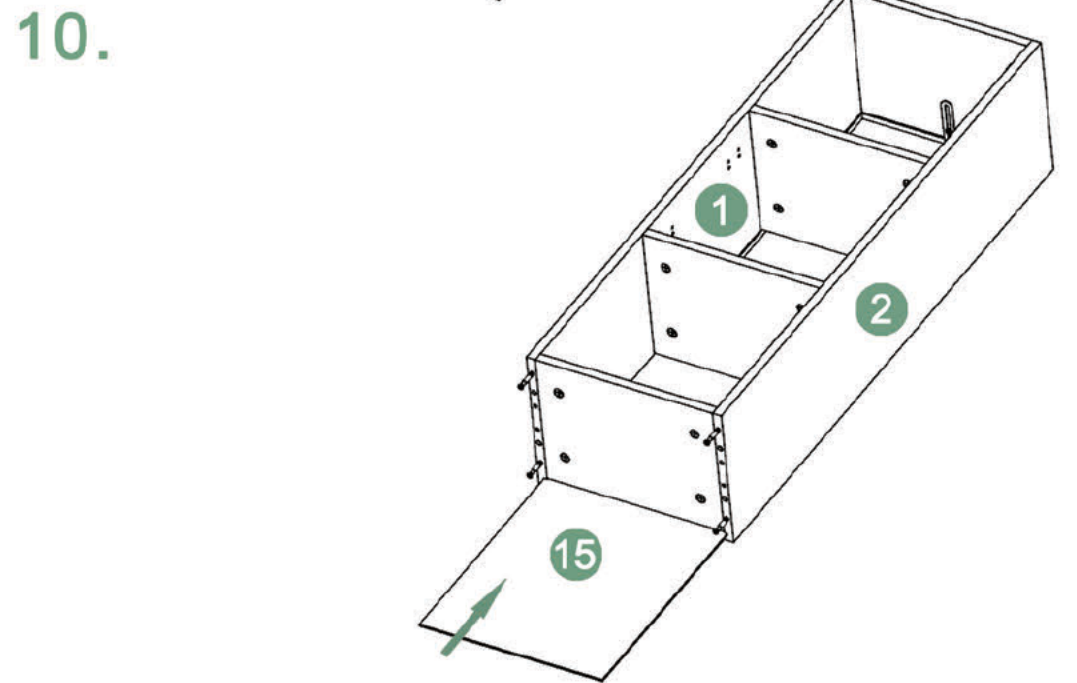
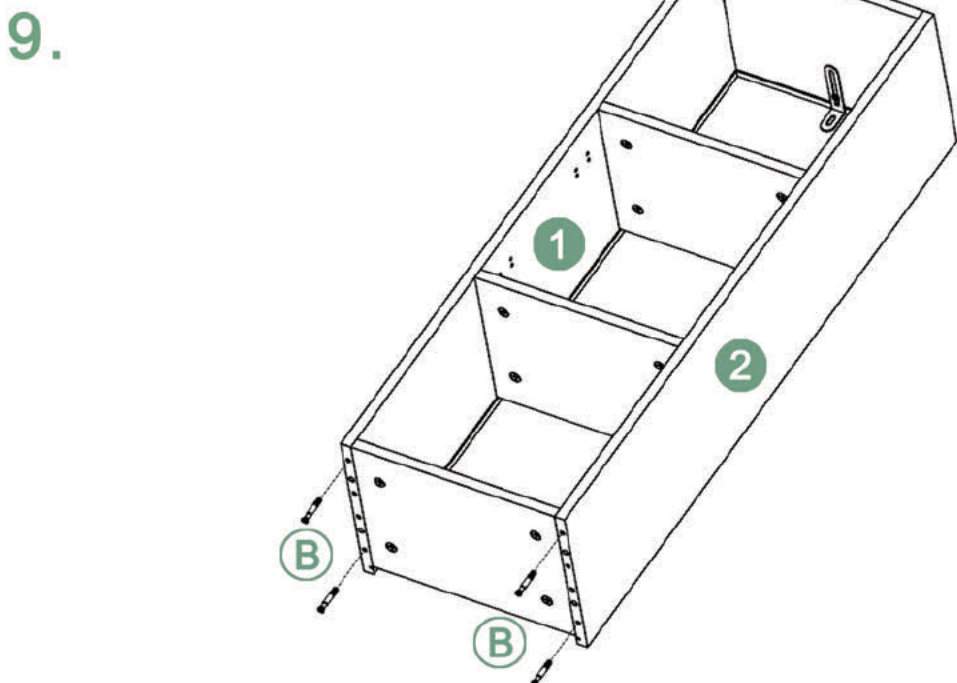
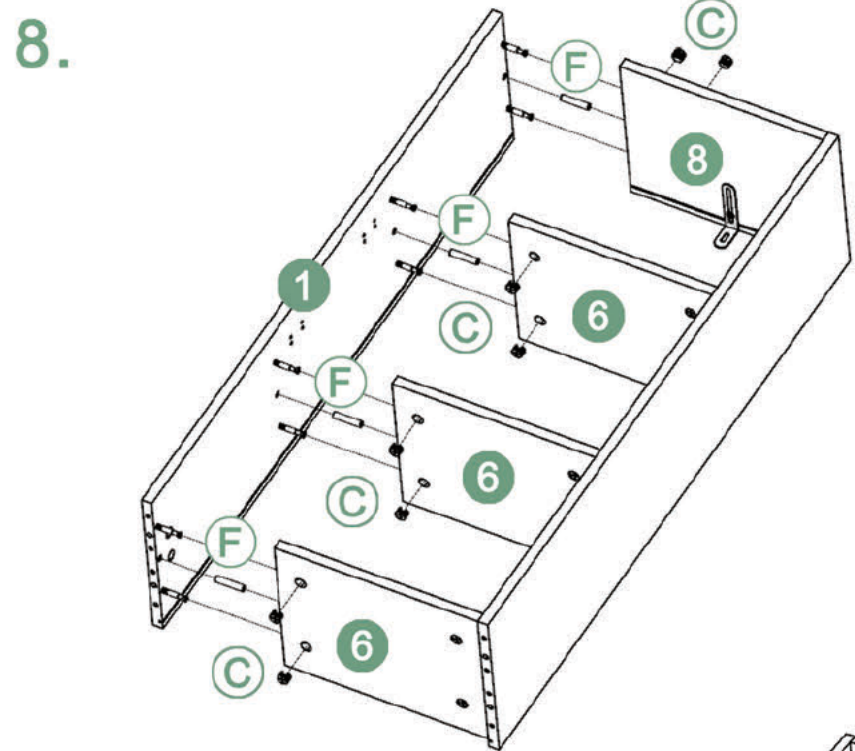
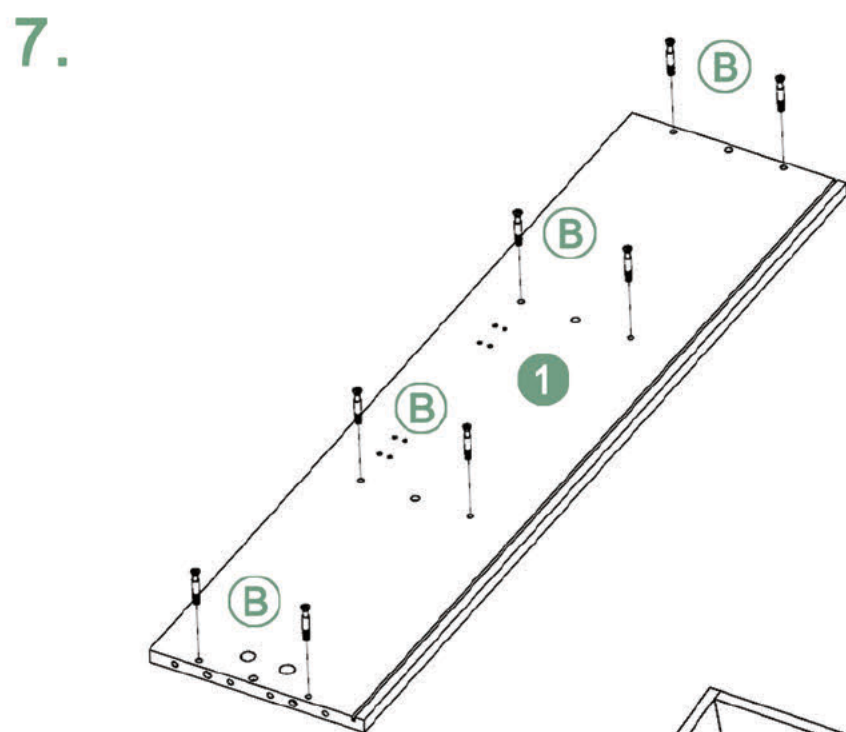
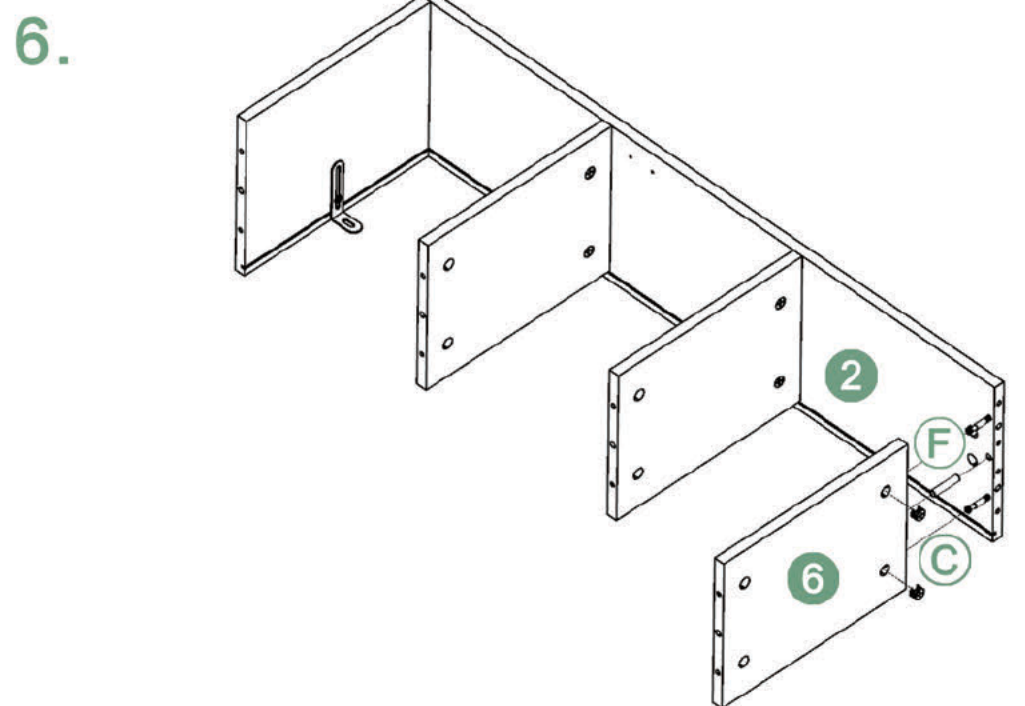
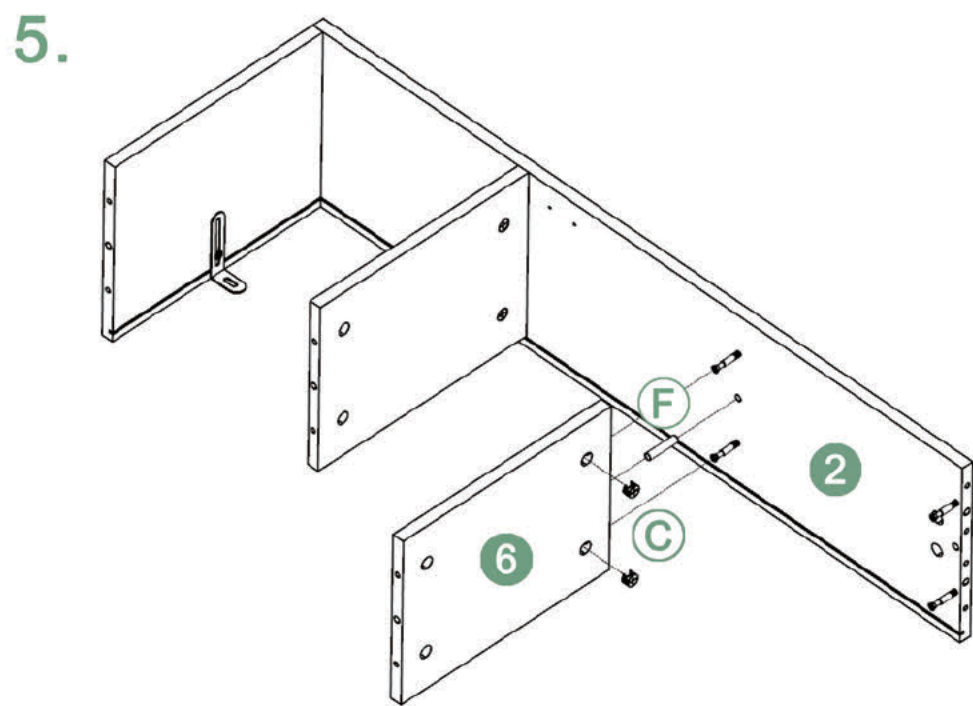
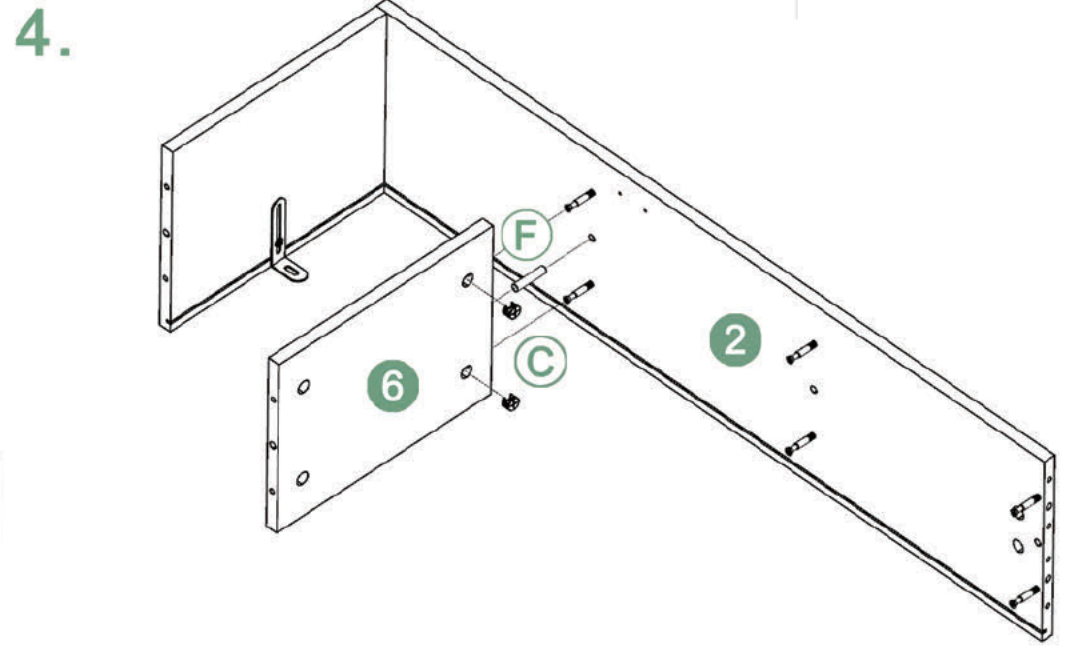
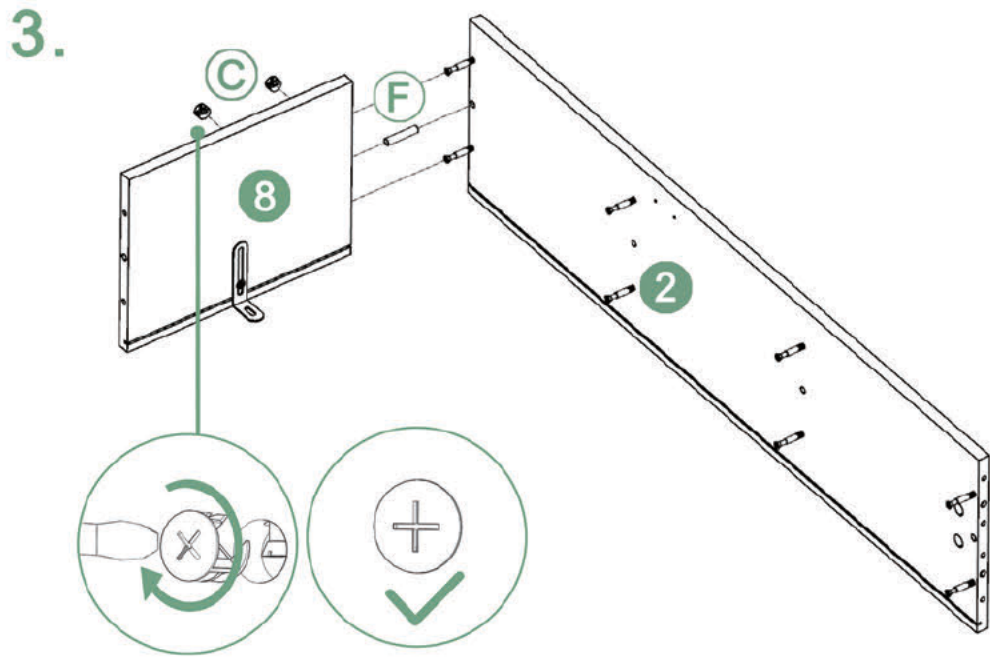
A4.

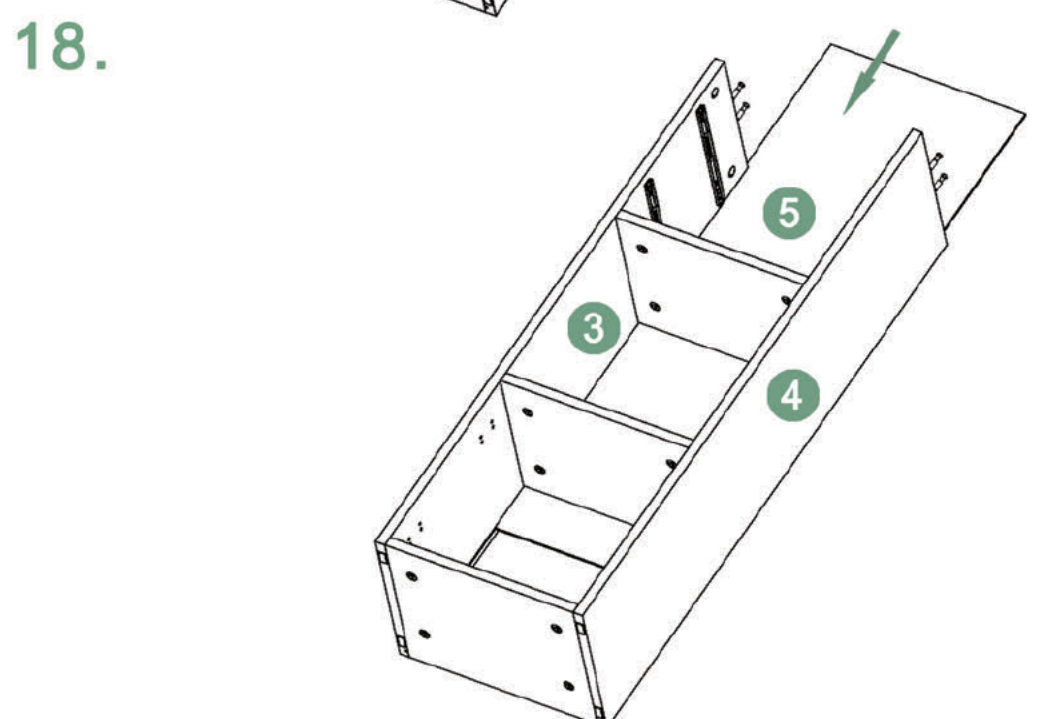
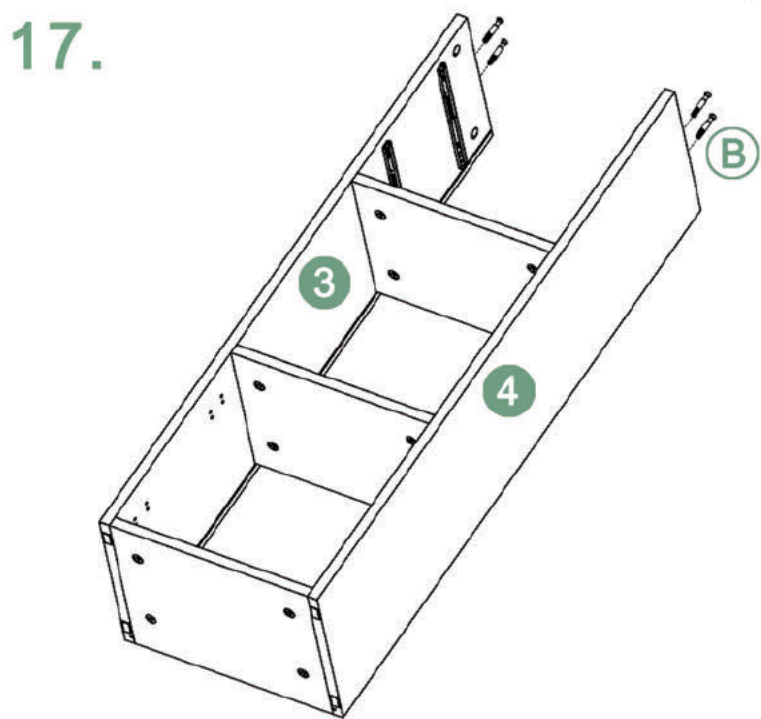
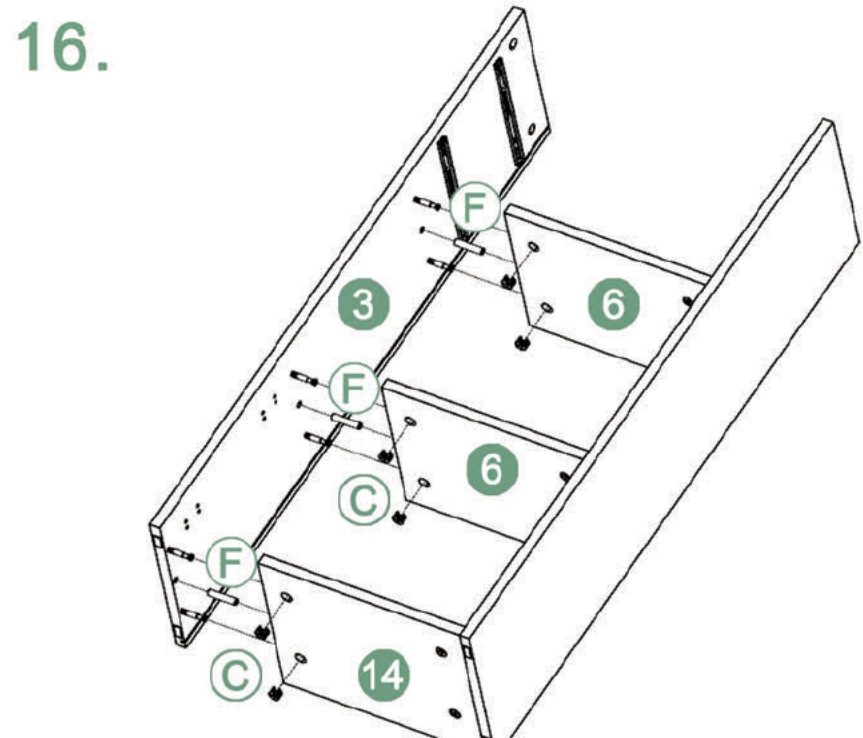
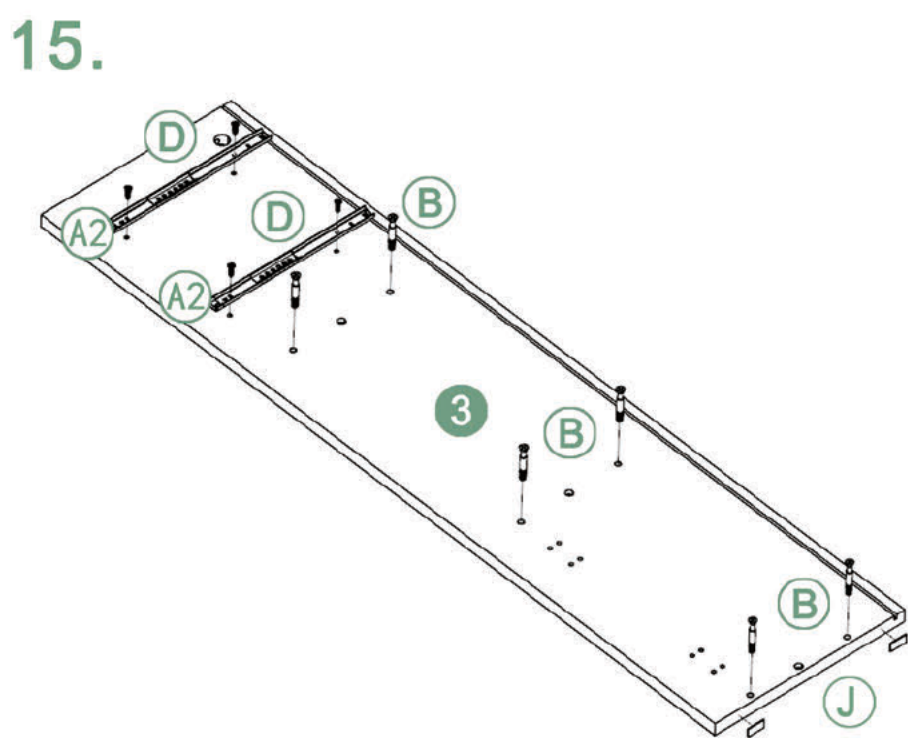
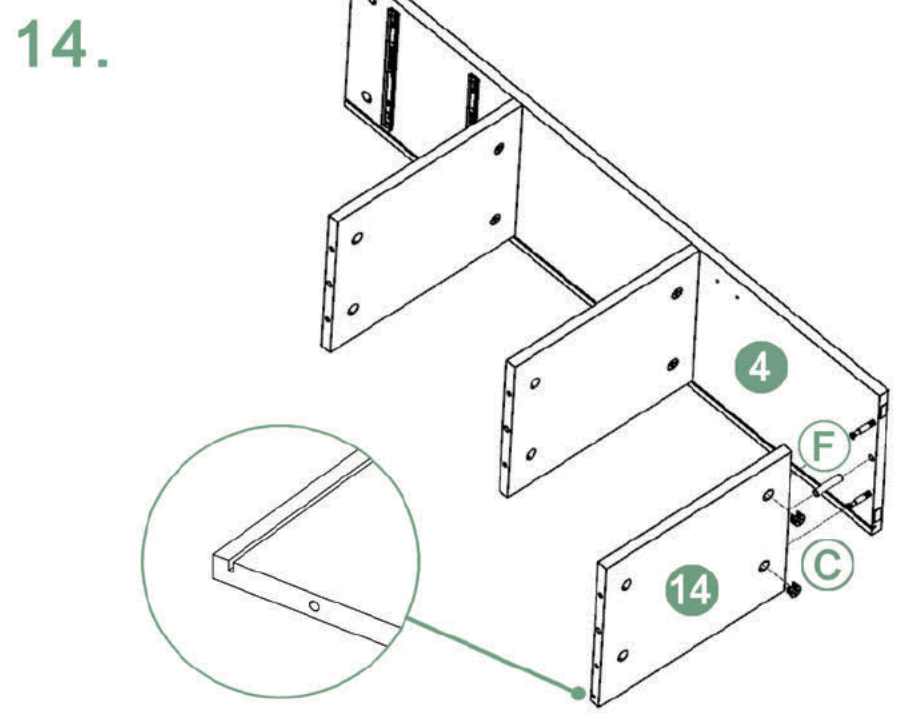
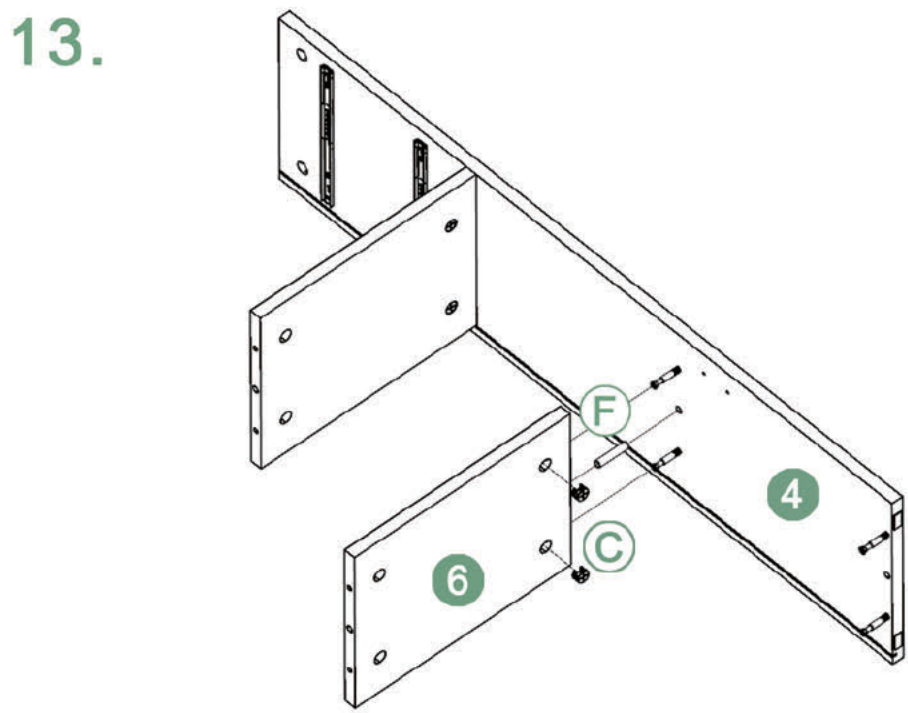
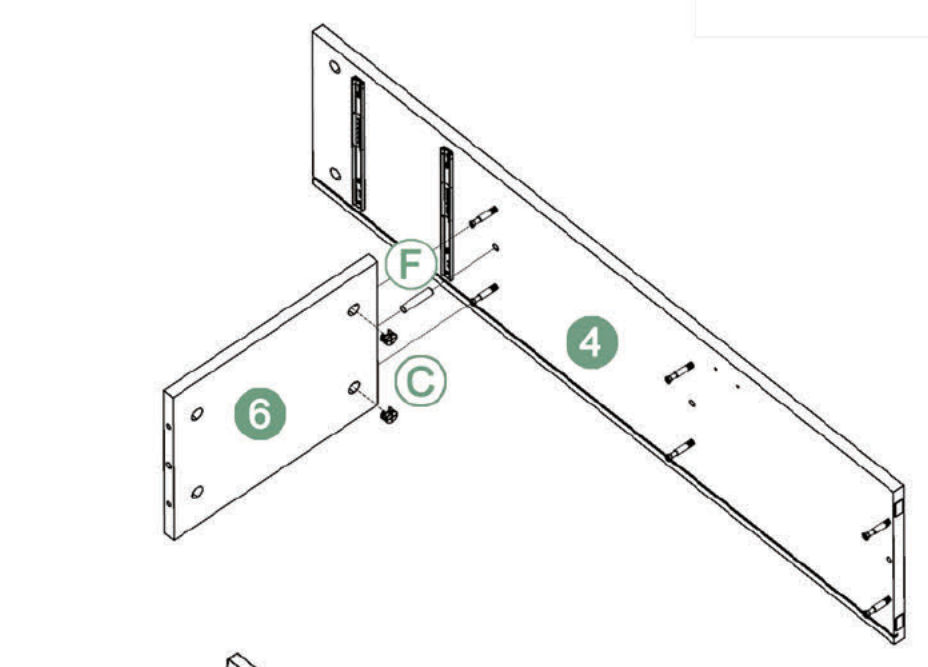
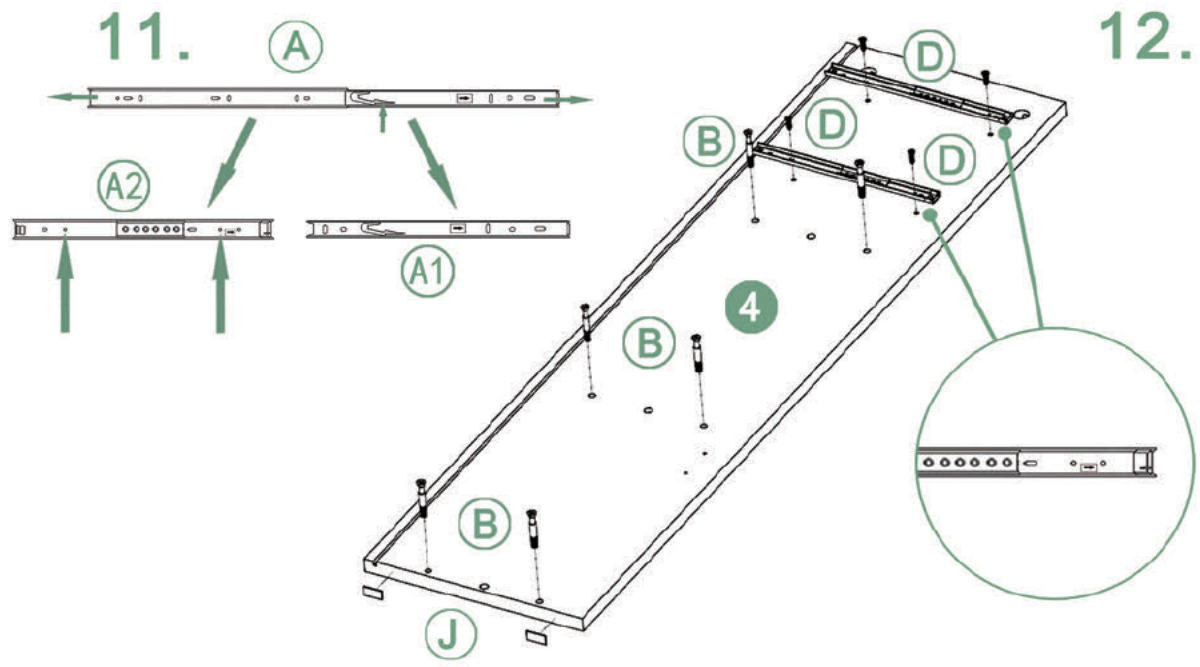
1.



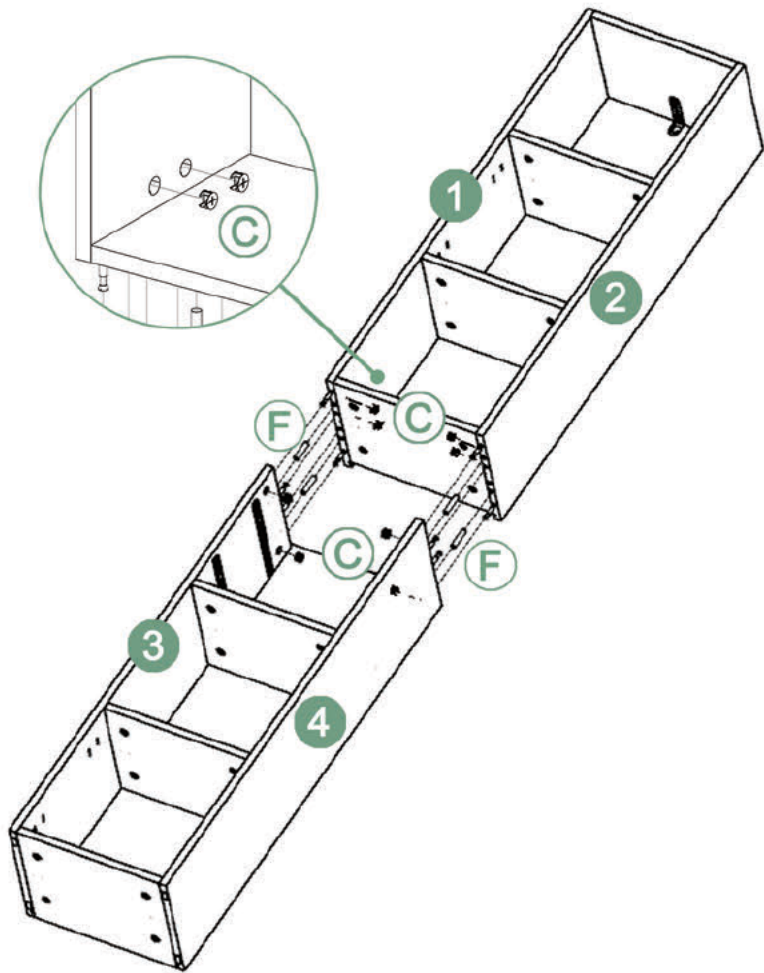
2.



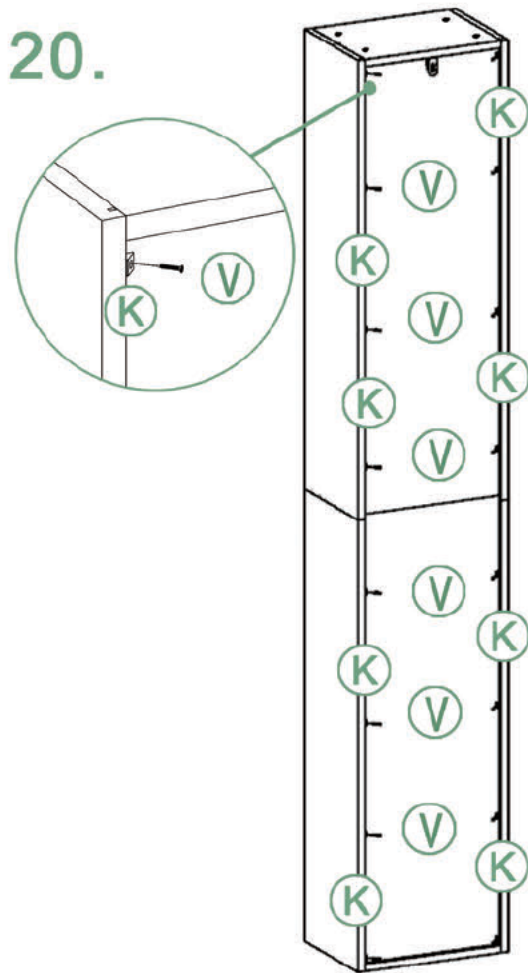




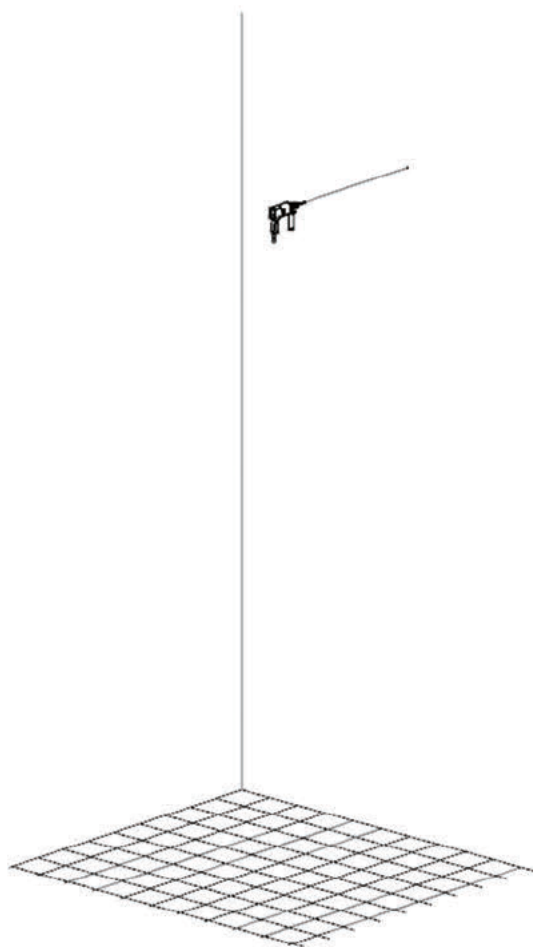
19.



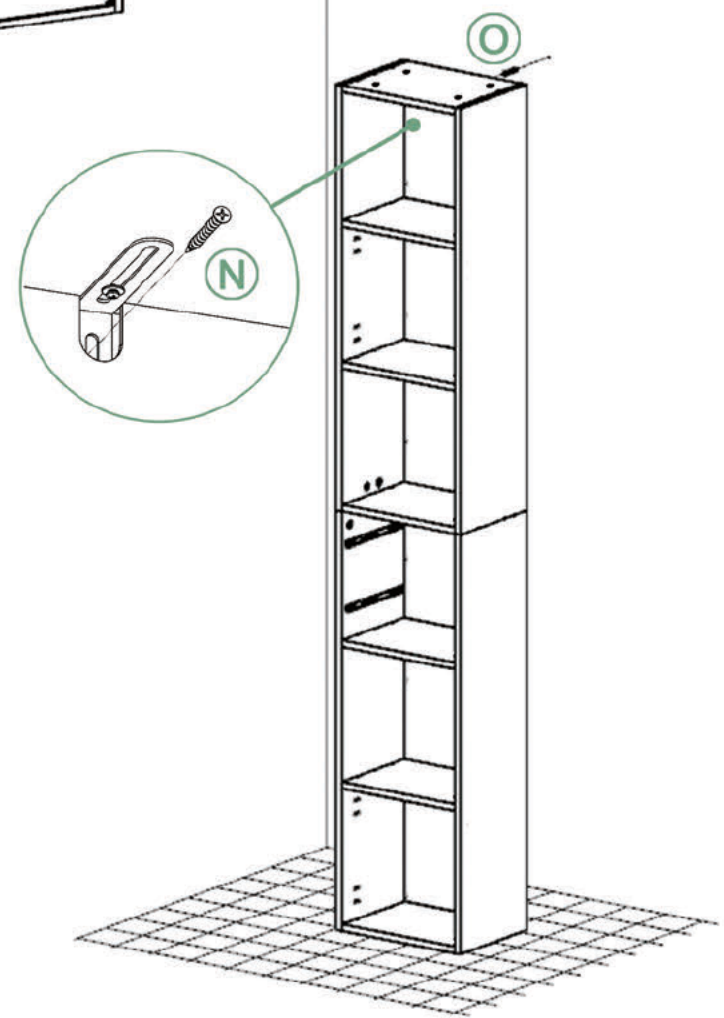
20.



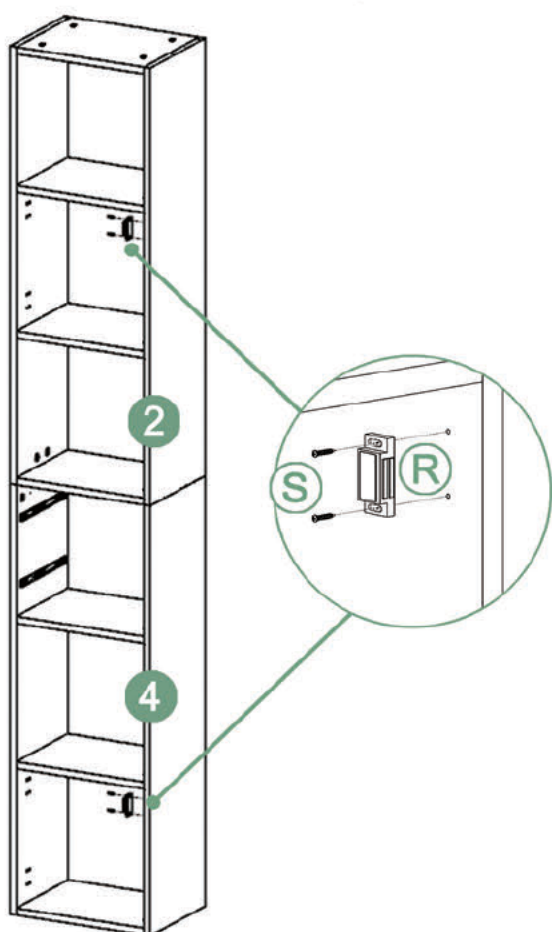
21.



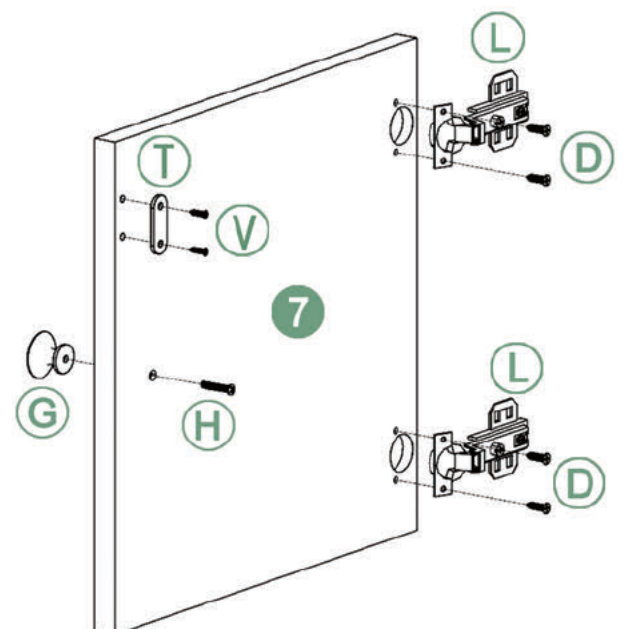
22.



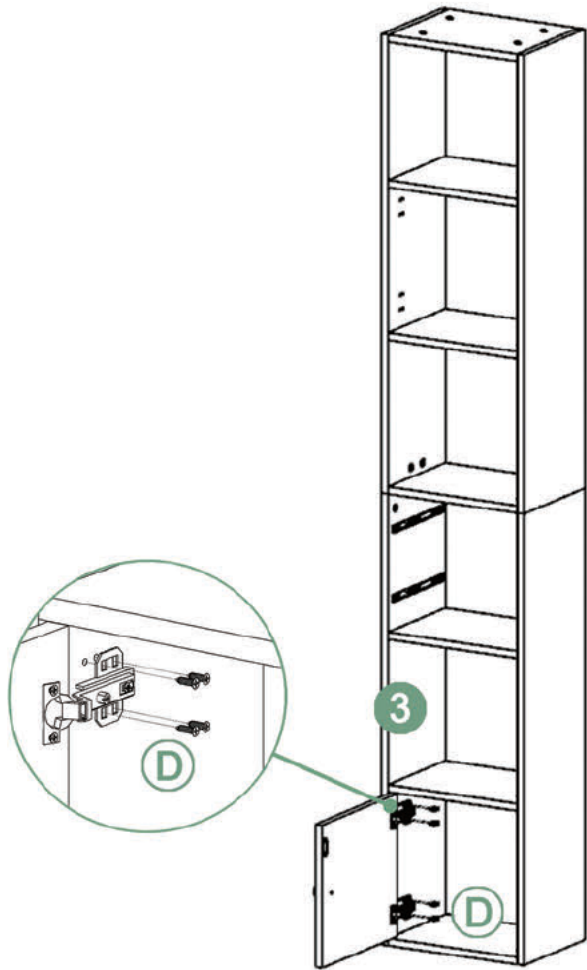
23.



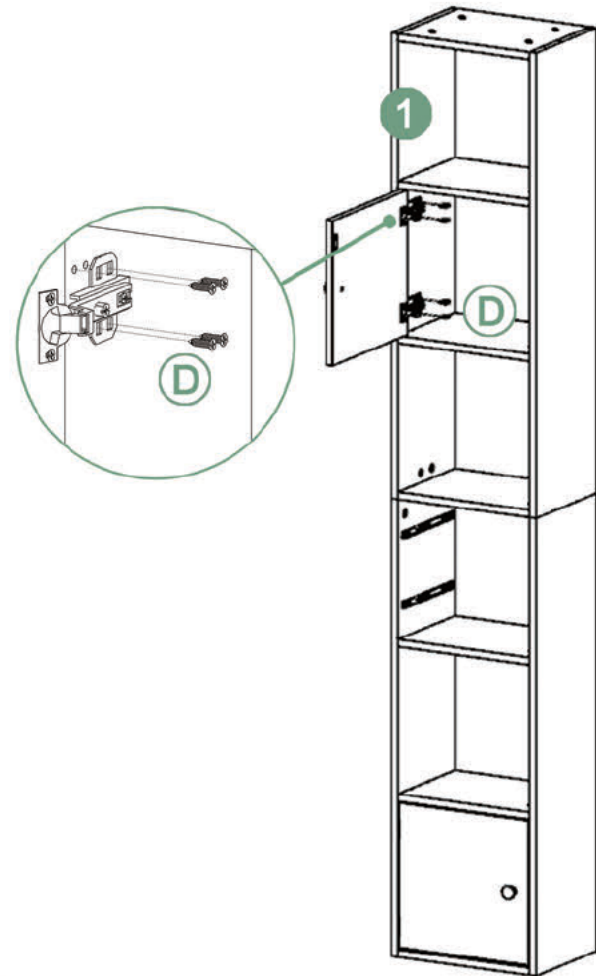
24.(X2)



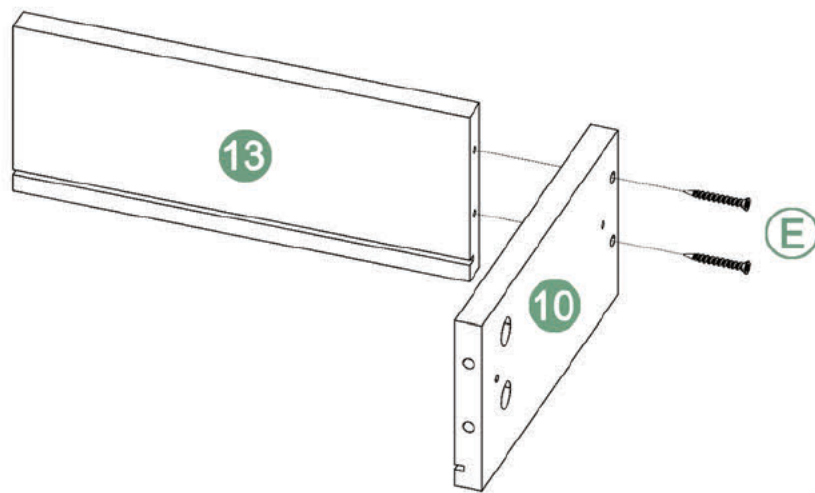
25.



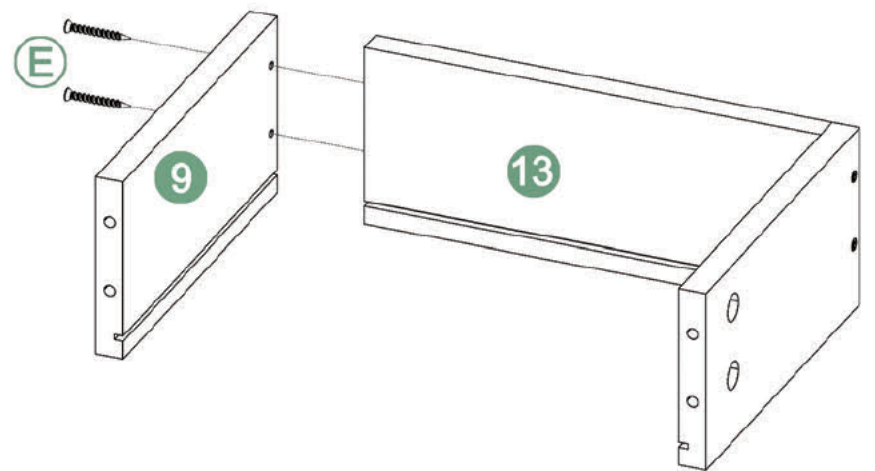
26.



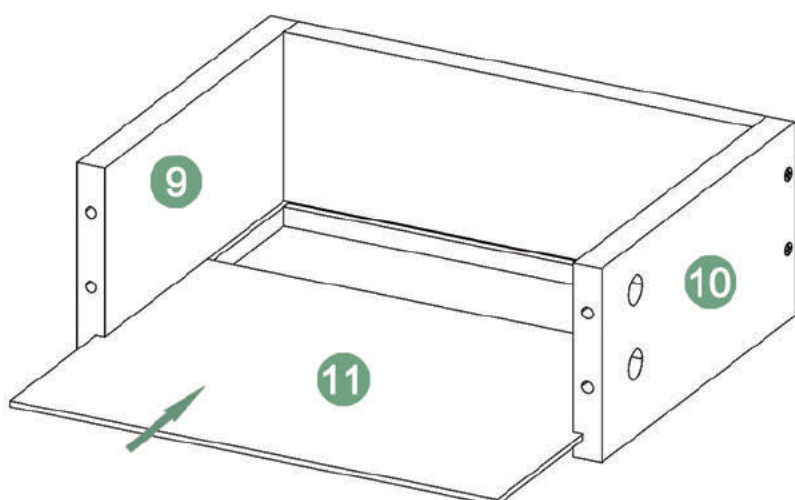
27.(X2)



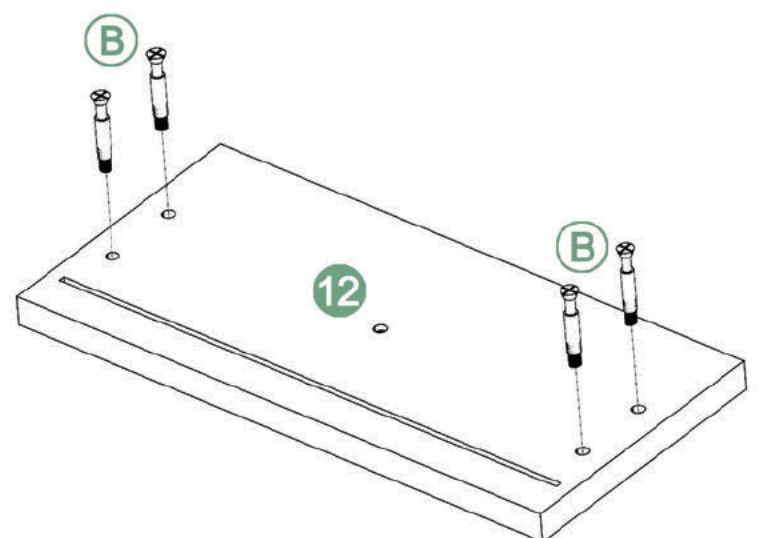
28.(X2)



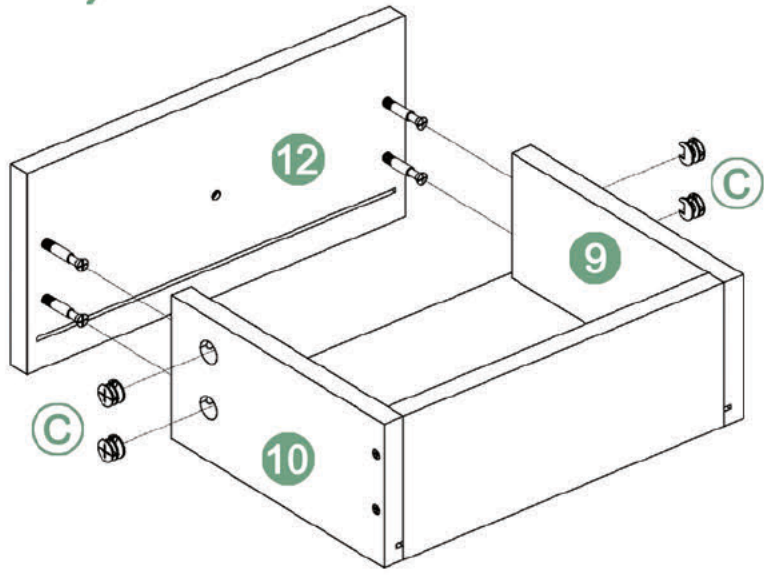
29.(X2)



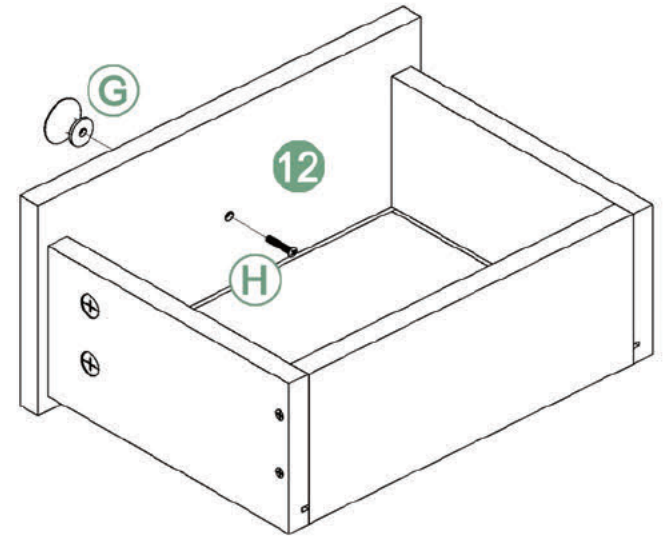
30.(X2)



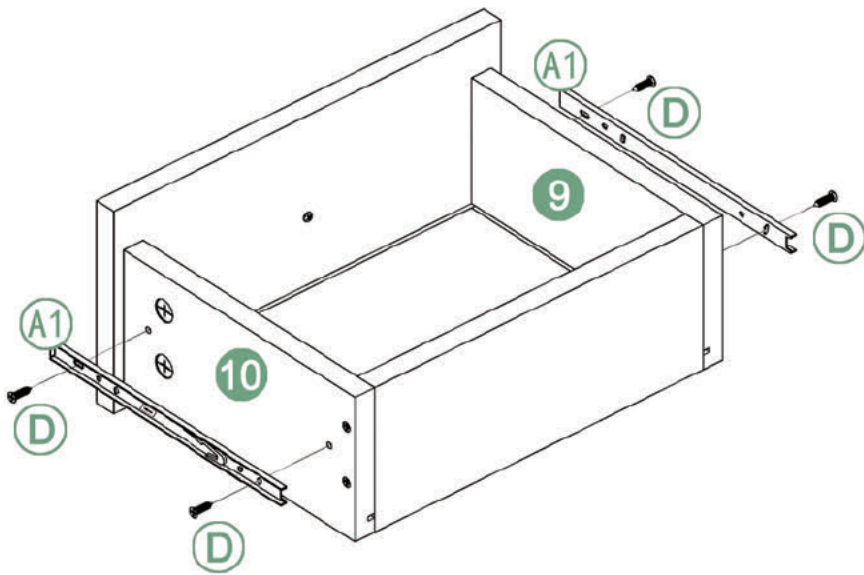
31.(X2)



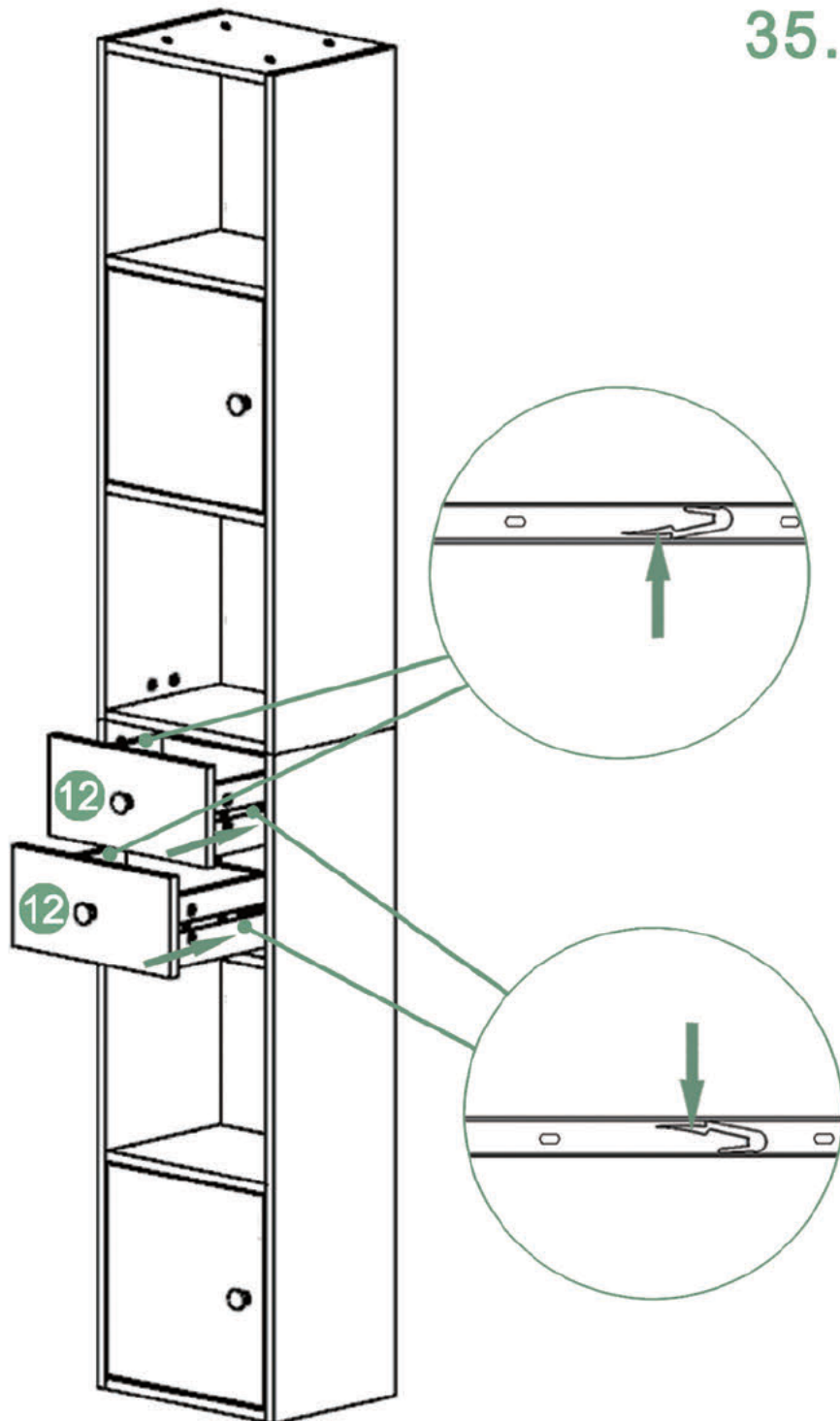
32.(X2)



33.(X2)



34.



35.

