

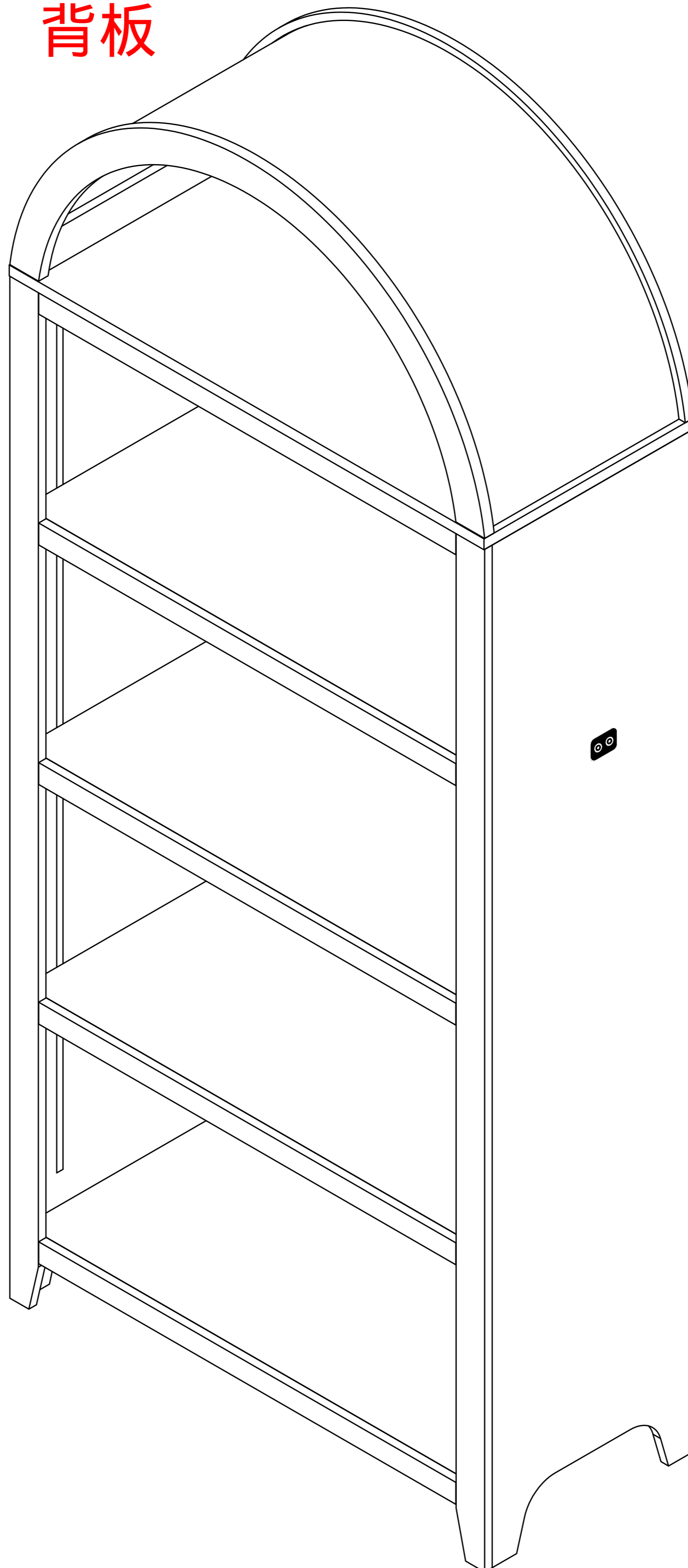
98006 Product Installation Guide

448单+436单 98006

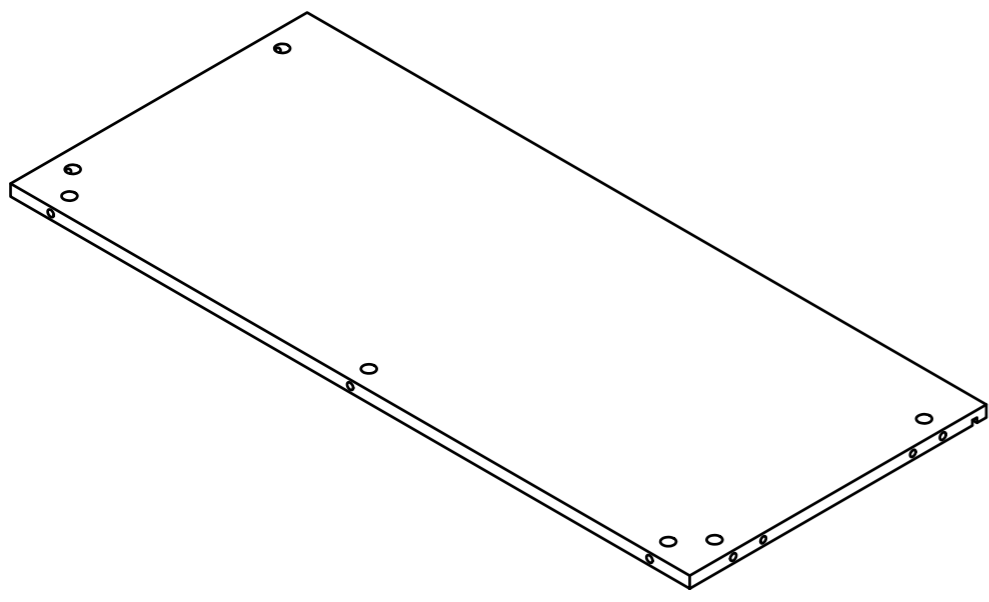
CY3011合同 背板

更改 2025.

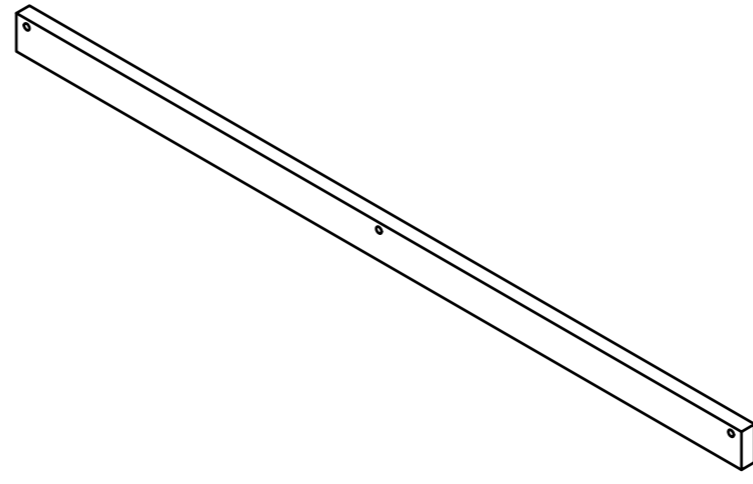
9.19



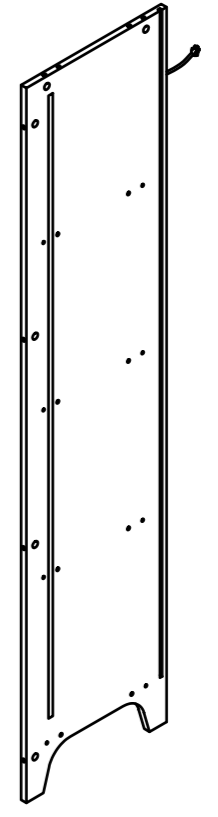
SY



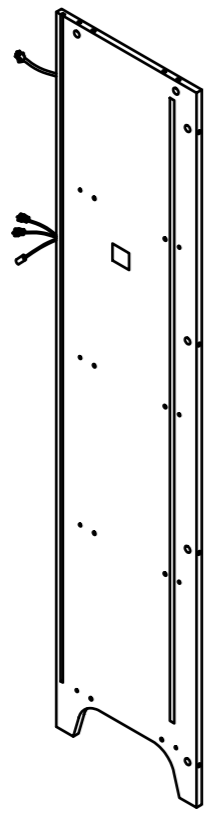
Ax1



Bx4



Cx1



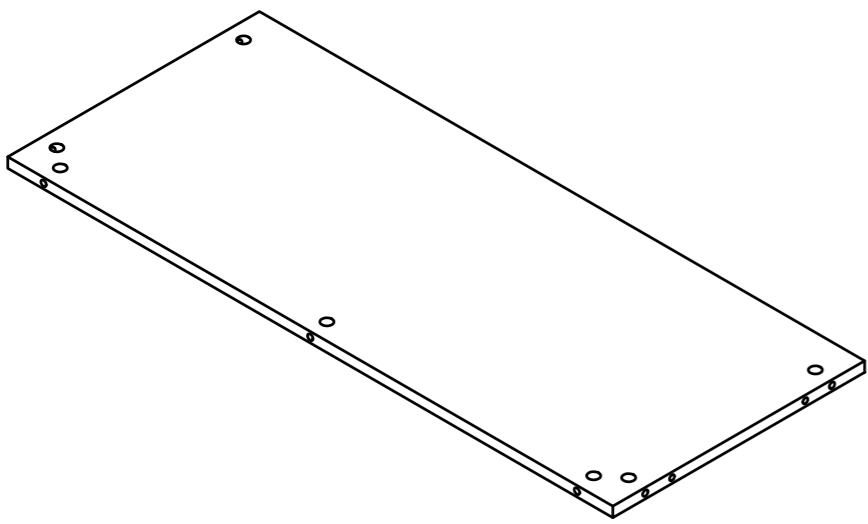
Dx1



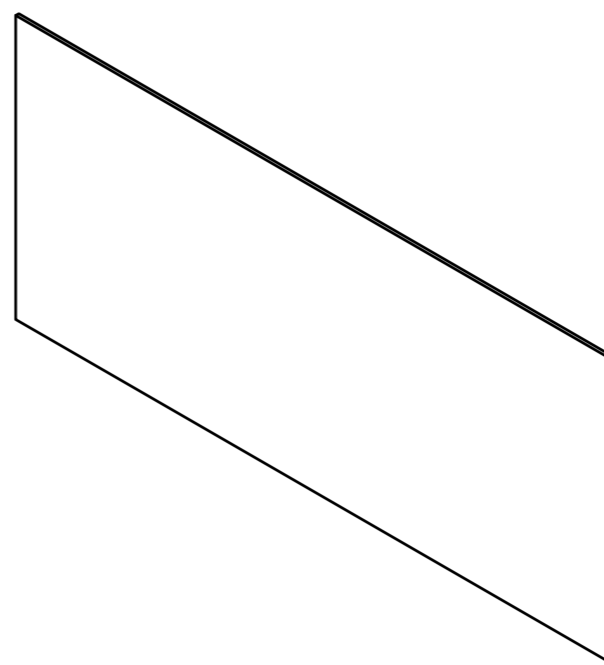
Ex1



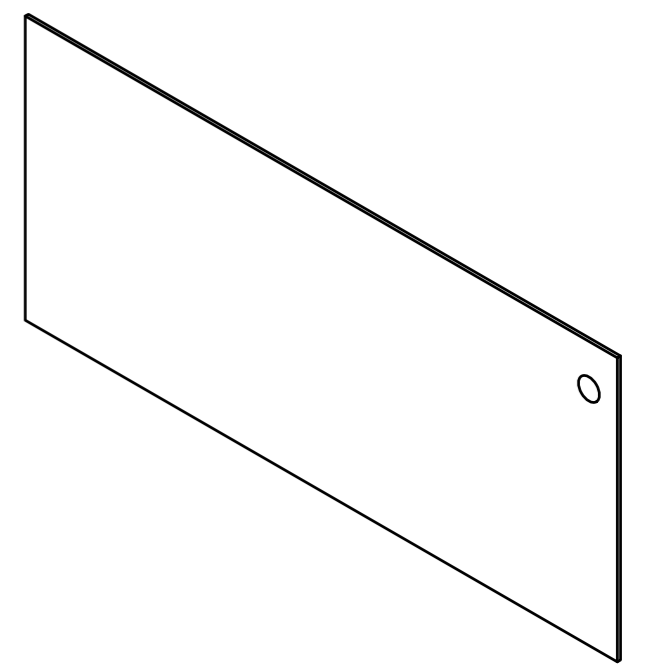
Fx1



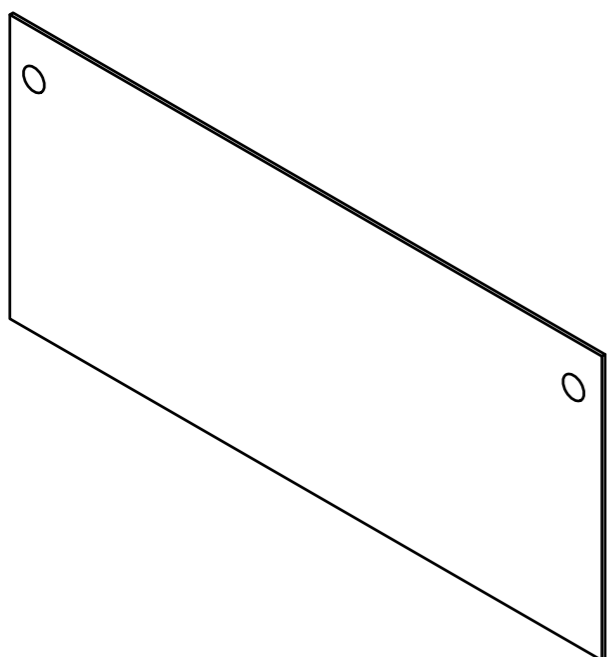
Gx3



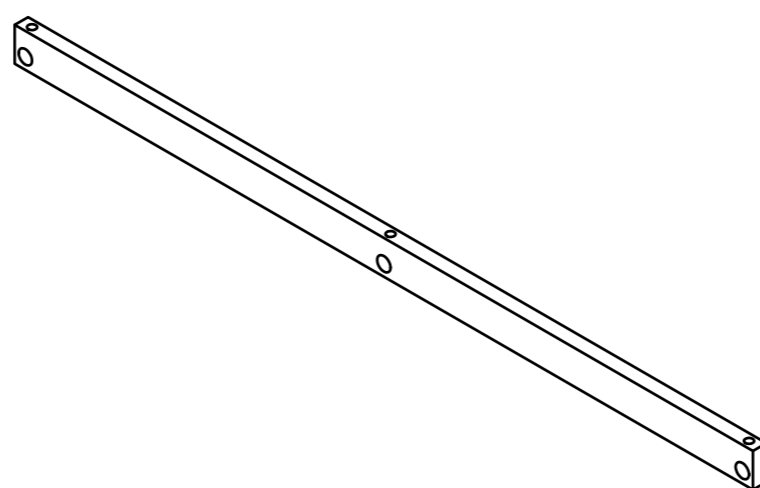
Hx2



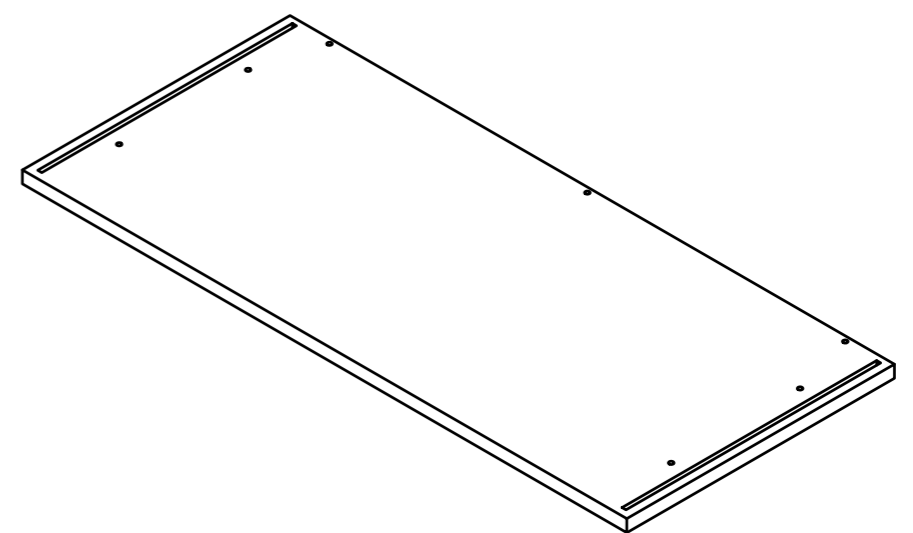
H1x1



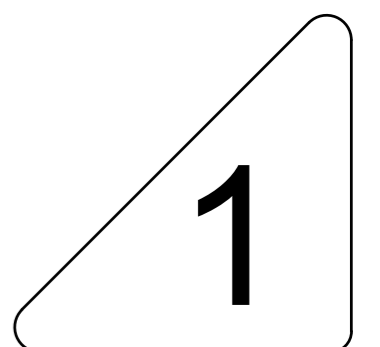
H2x1



Ix1

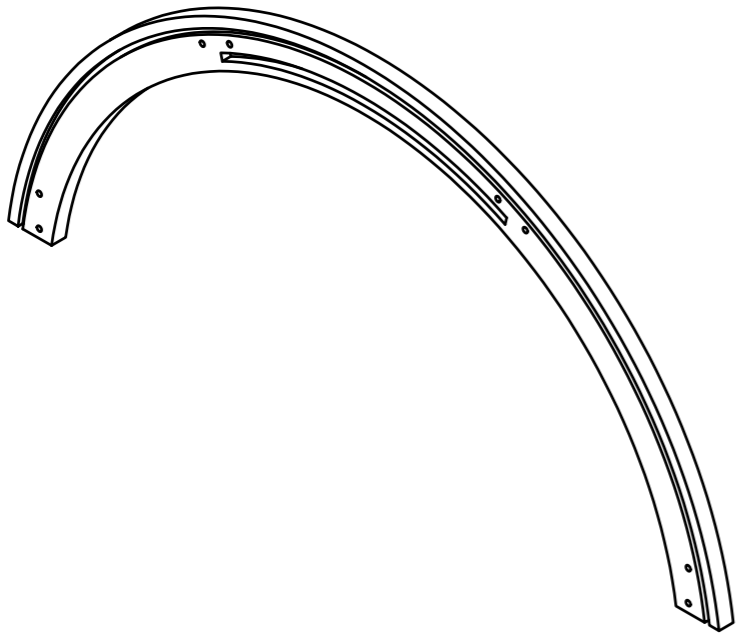


Jx1

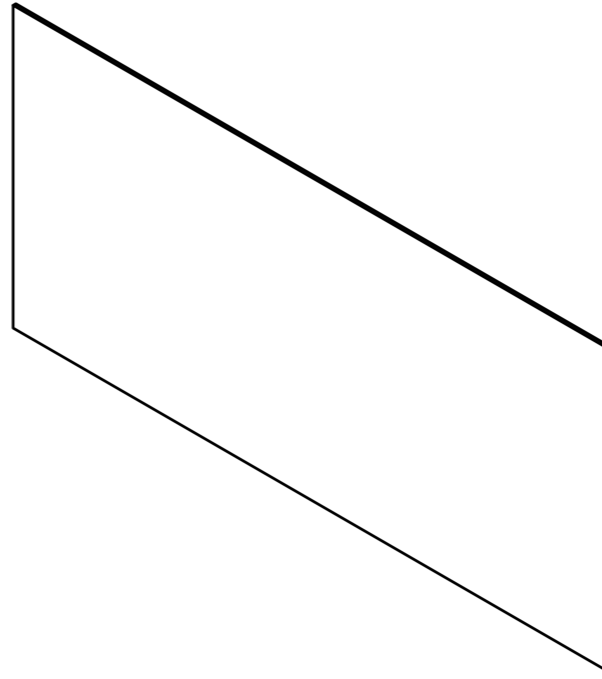


1

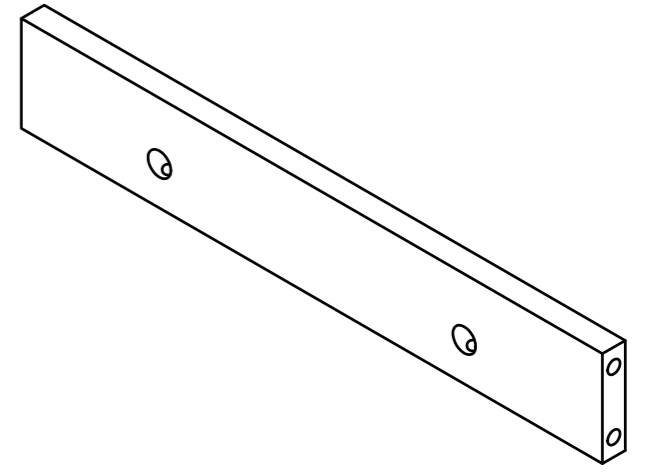
SY



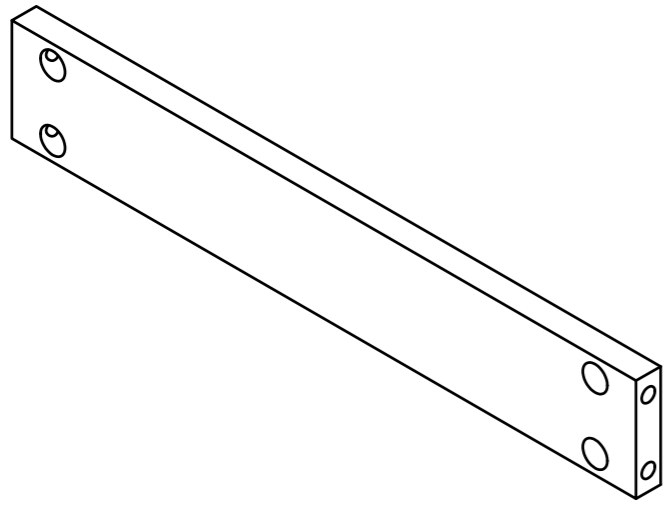
Kx1



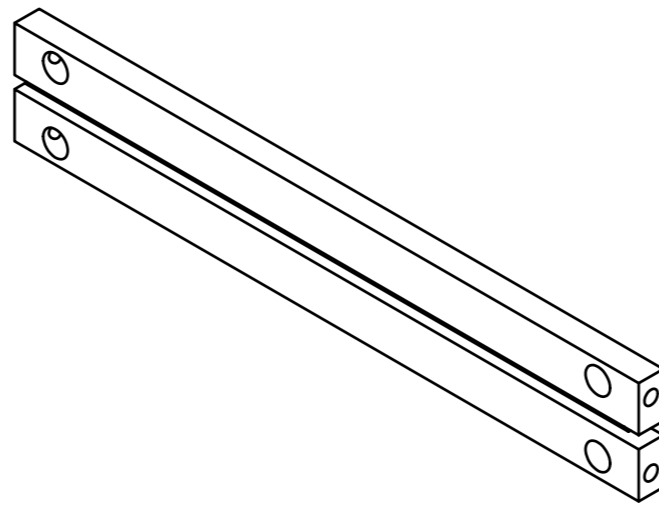
Lx1



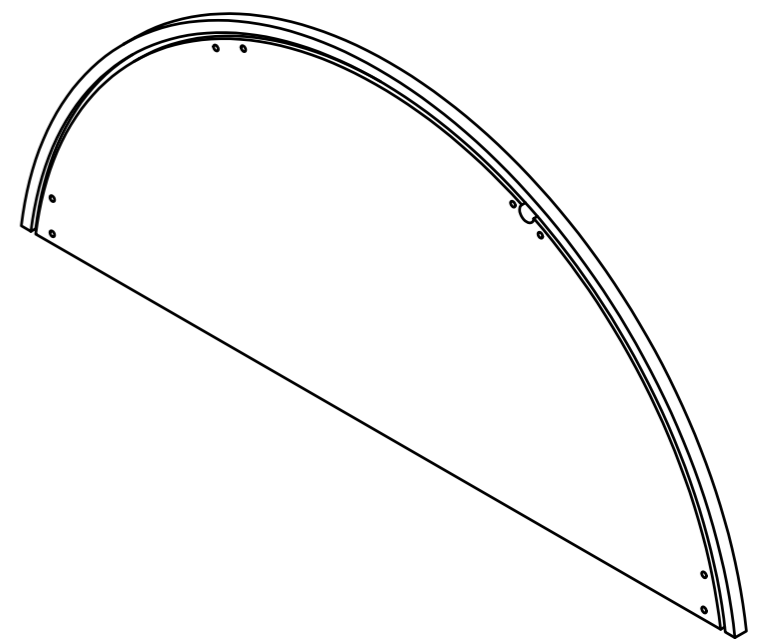
Mx2



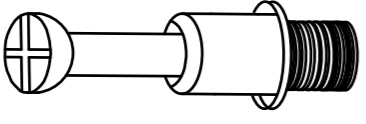



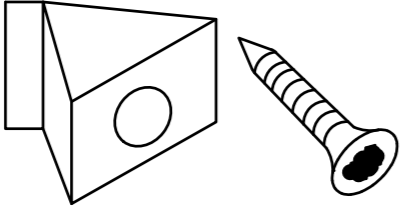
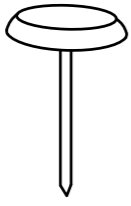
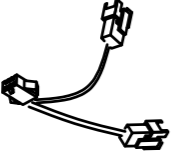

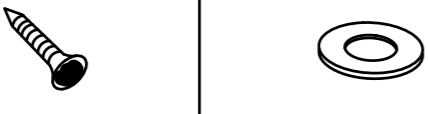

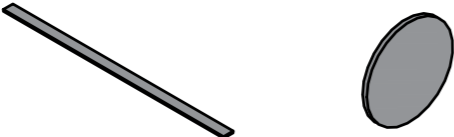


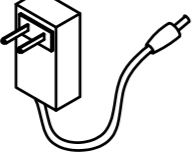
Nx1

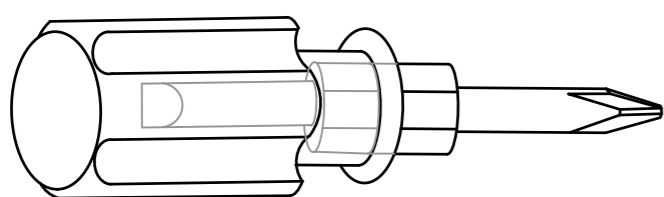


Ox1

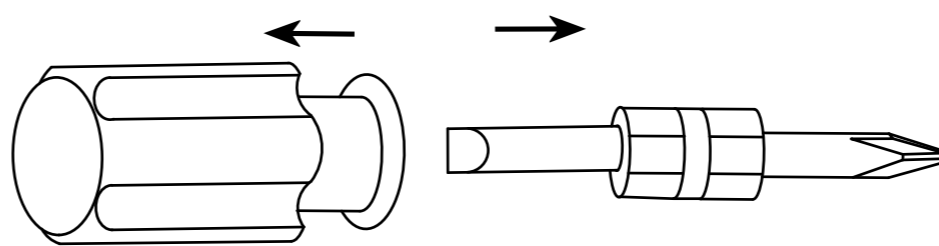


Px1

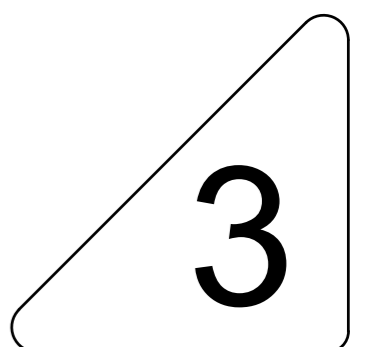
①		Two in one screw (6x28mm)	66pcs +4pcs
②		Two in one nut (10x12mm)	66pcs +4pcs
③		Wood chipping (6x30mm)	20pcs +4pcs
④		Non-slip pads	4pcs +2pcs
⑤		Fixing clip & screw (3x16mm)	12pcs +1pcs
⑥		Foot screw	6pcs +2pcs
⑦		Forked line	1pcs
⑧		anti-tipping tape	1pcs
		Screw & gasket (3.5x14mm)	1pcs 2pcs
		Screw (4x45mm)	1pcs
⑨		Sticker (φ 20mm)	1pcs 4pcs +2pcs
⑩		Wire	1pcs
⑪		Wire Clamp	5pcs +2pcs
	AC/DC Adapter (12V \rightleftharpoons 3.0A)	1pcs	



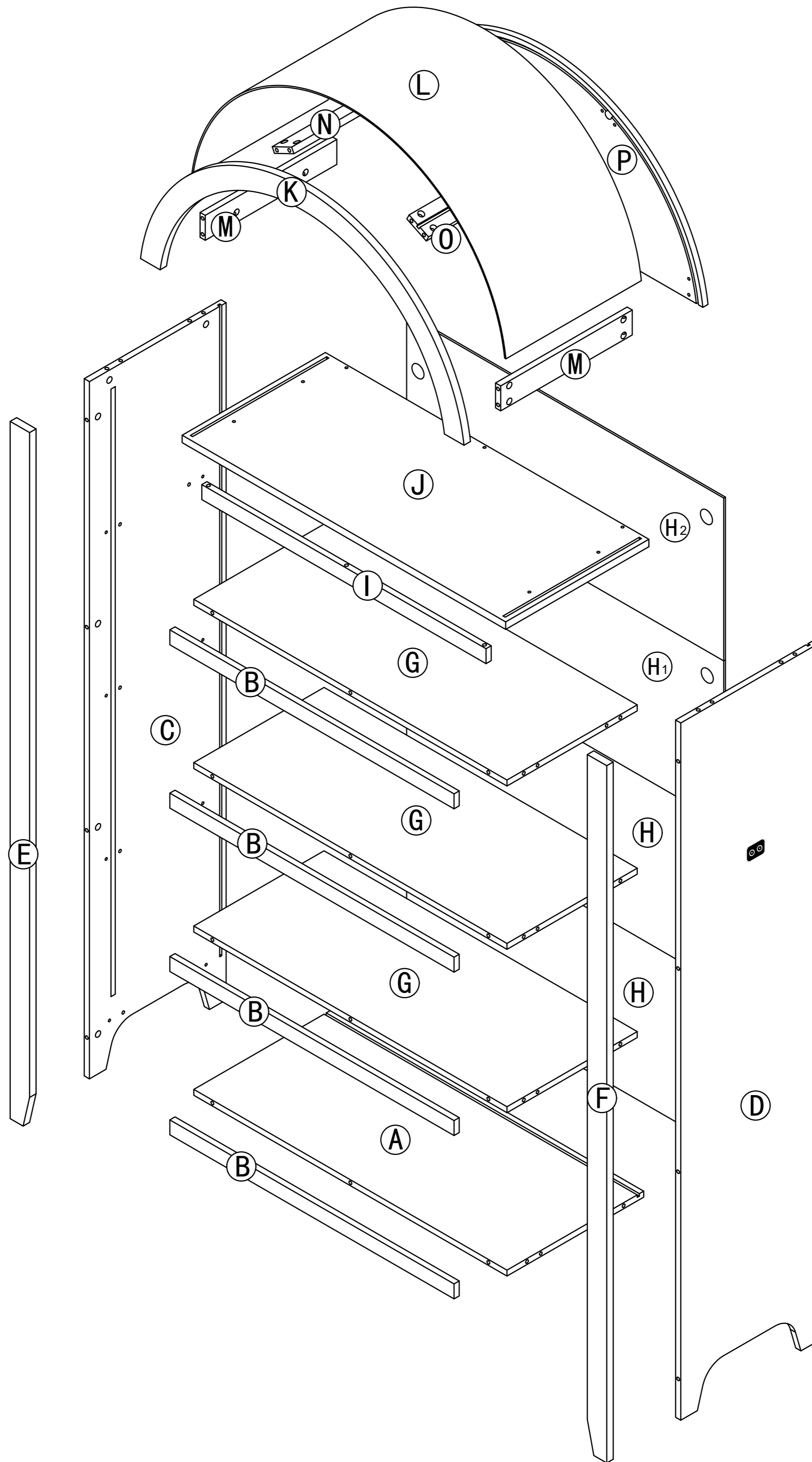
1pcs



Double-head screwdriver, use as required

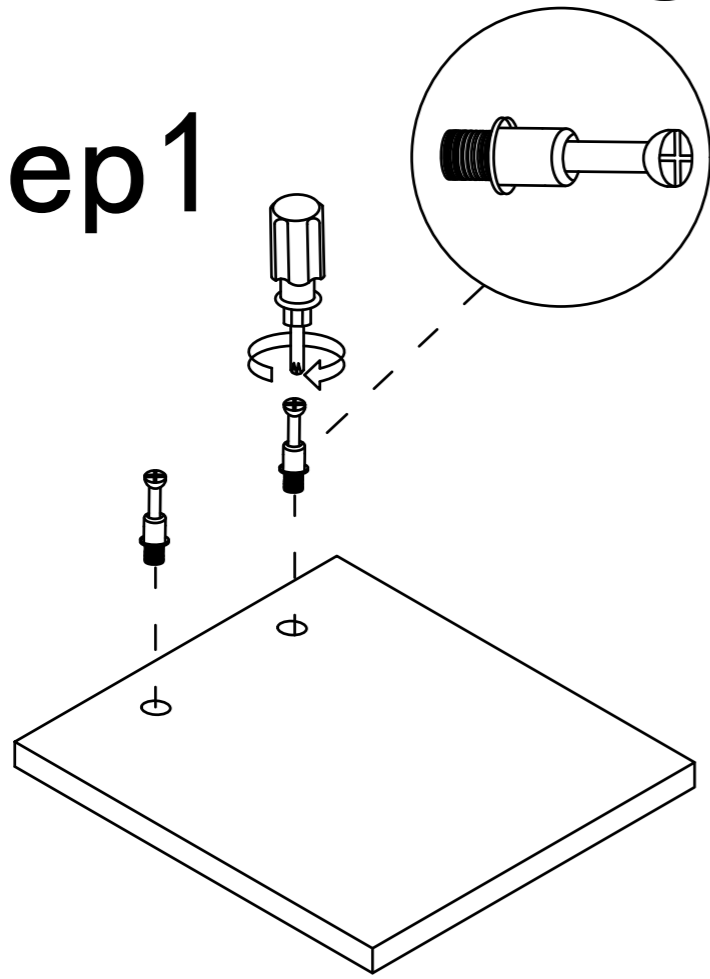


Decomposition of Product Structure

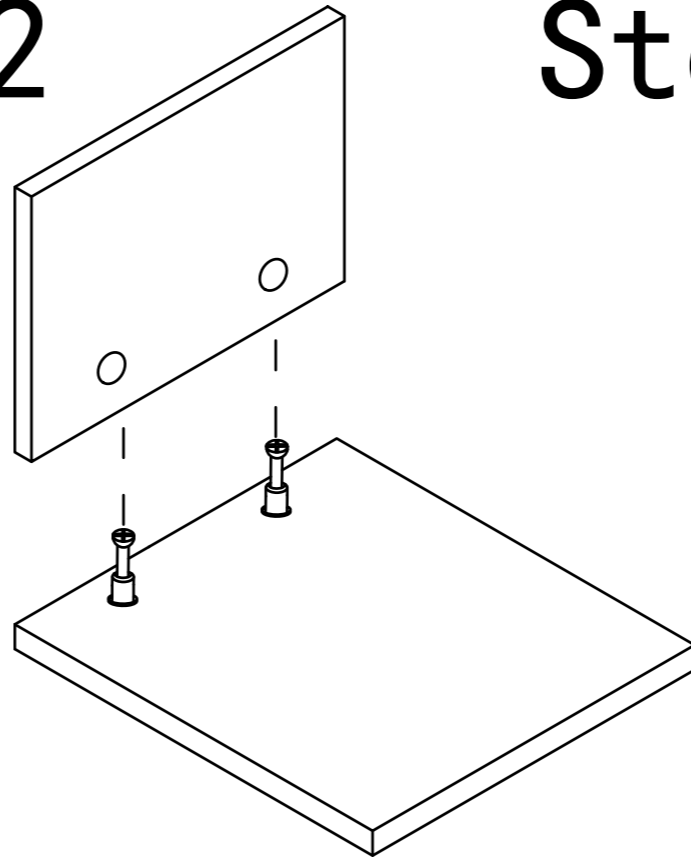


Use parts ① and ②

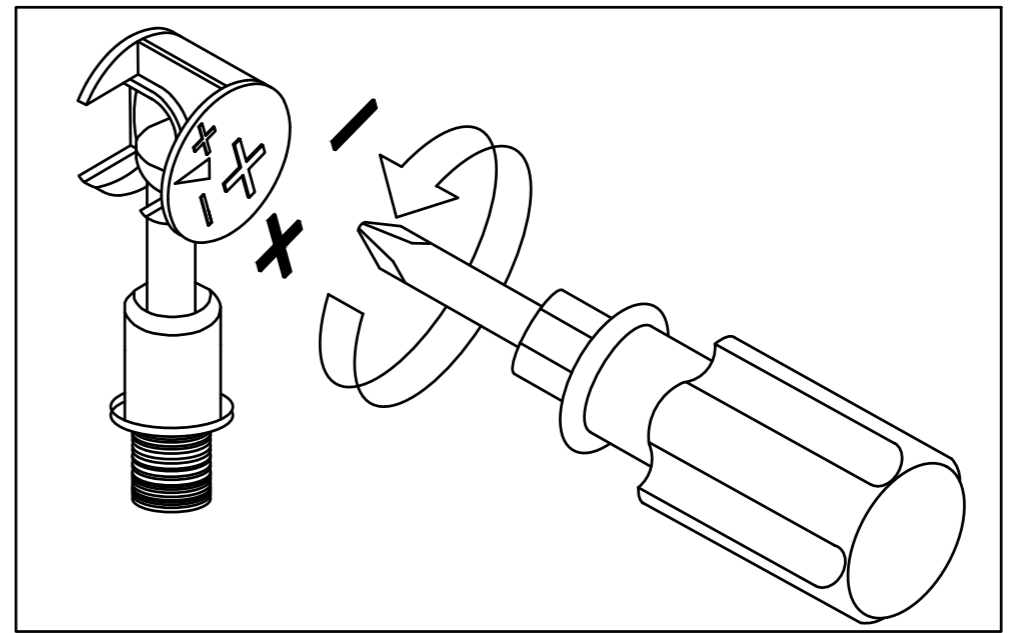
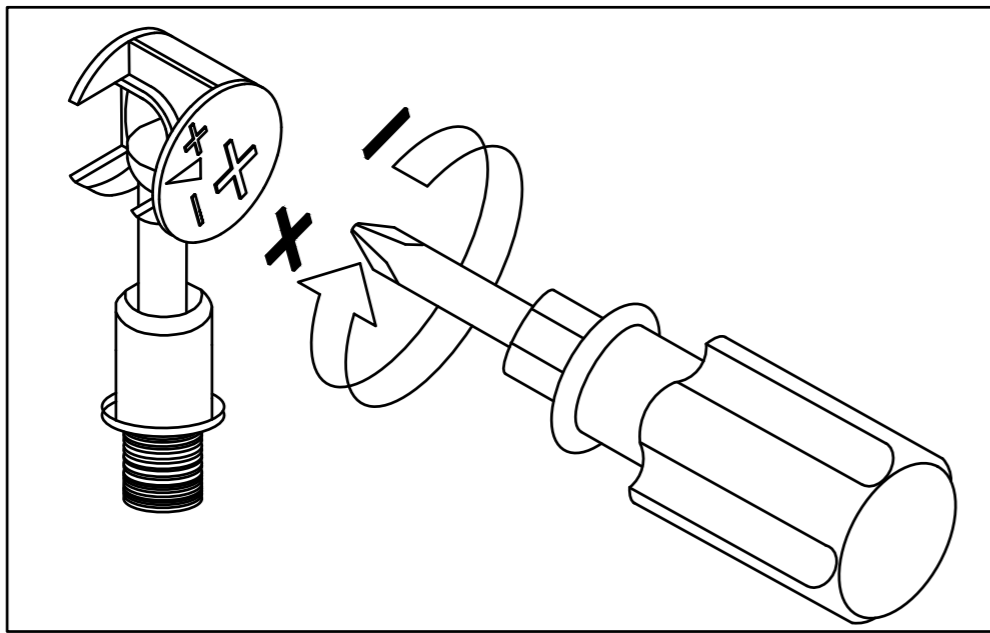
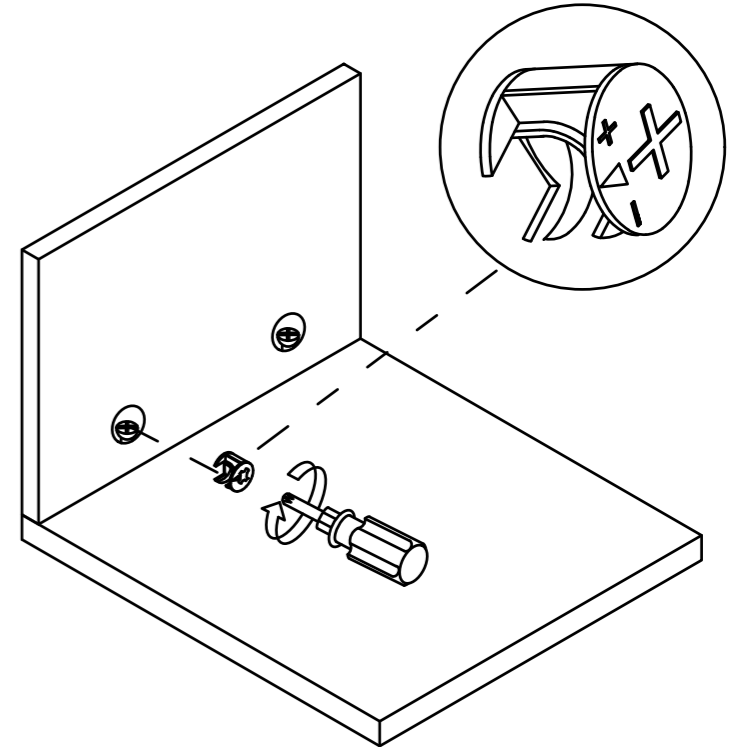
Step 1



Step 2



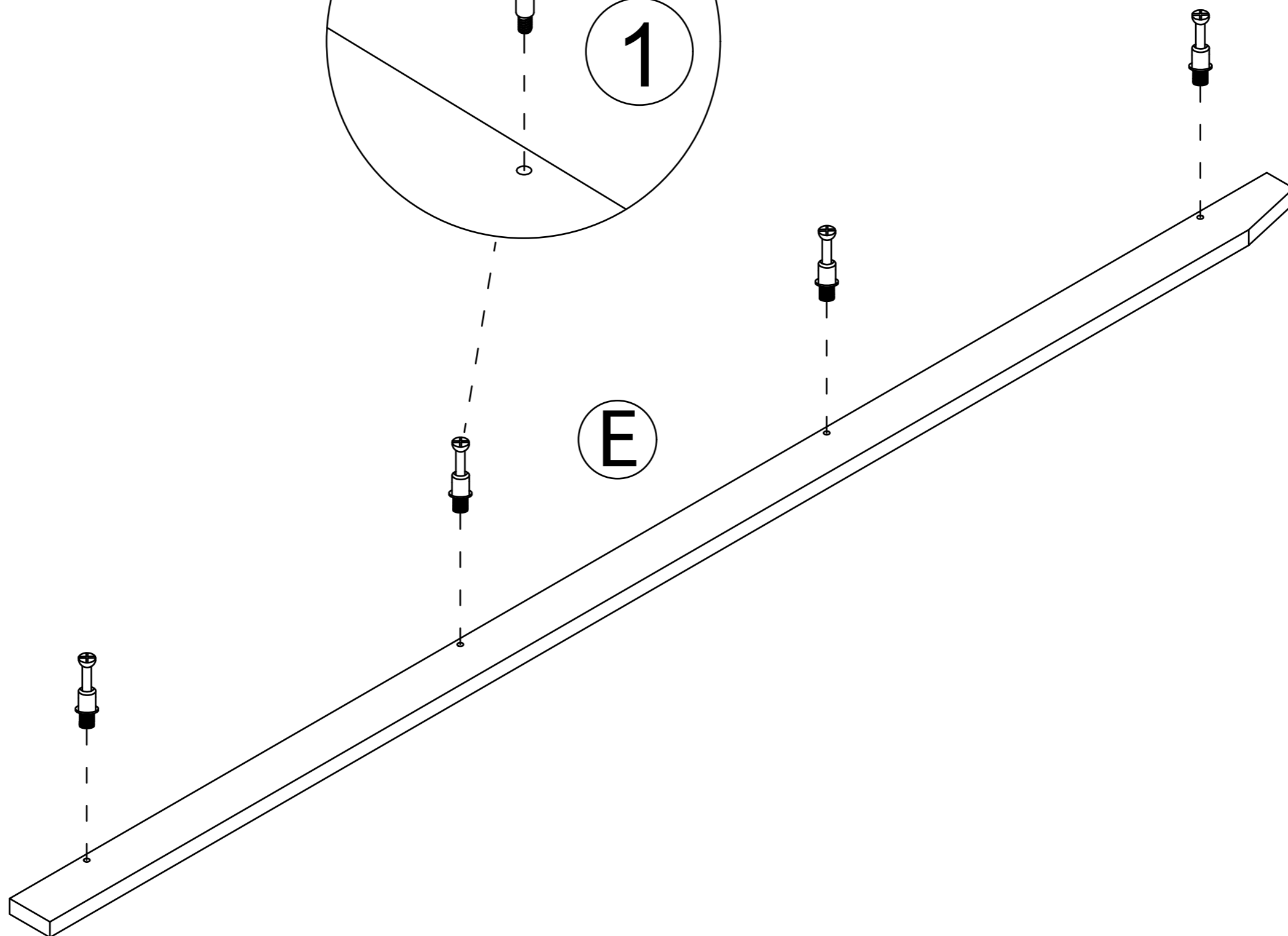
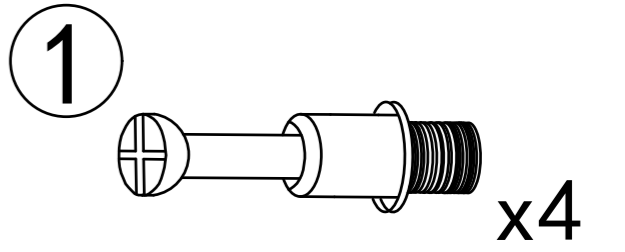
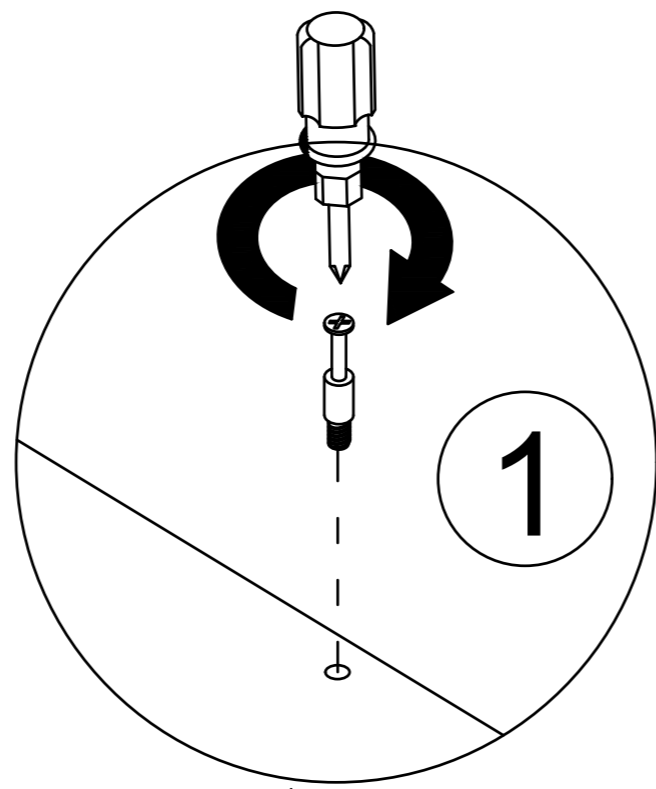
Step 3



Use a screwdriver to tighten in the direction of the "+" sign.

Disassemble along the '-' sign direction.

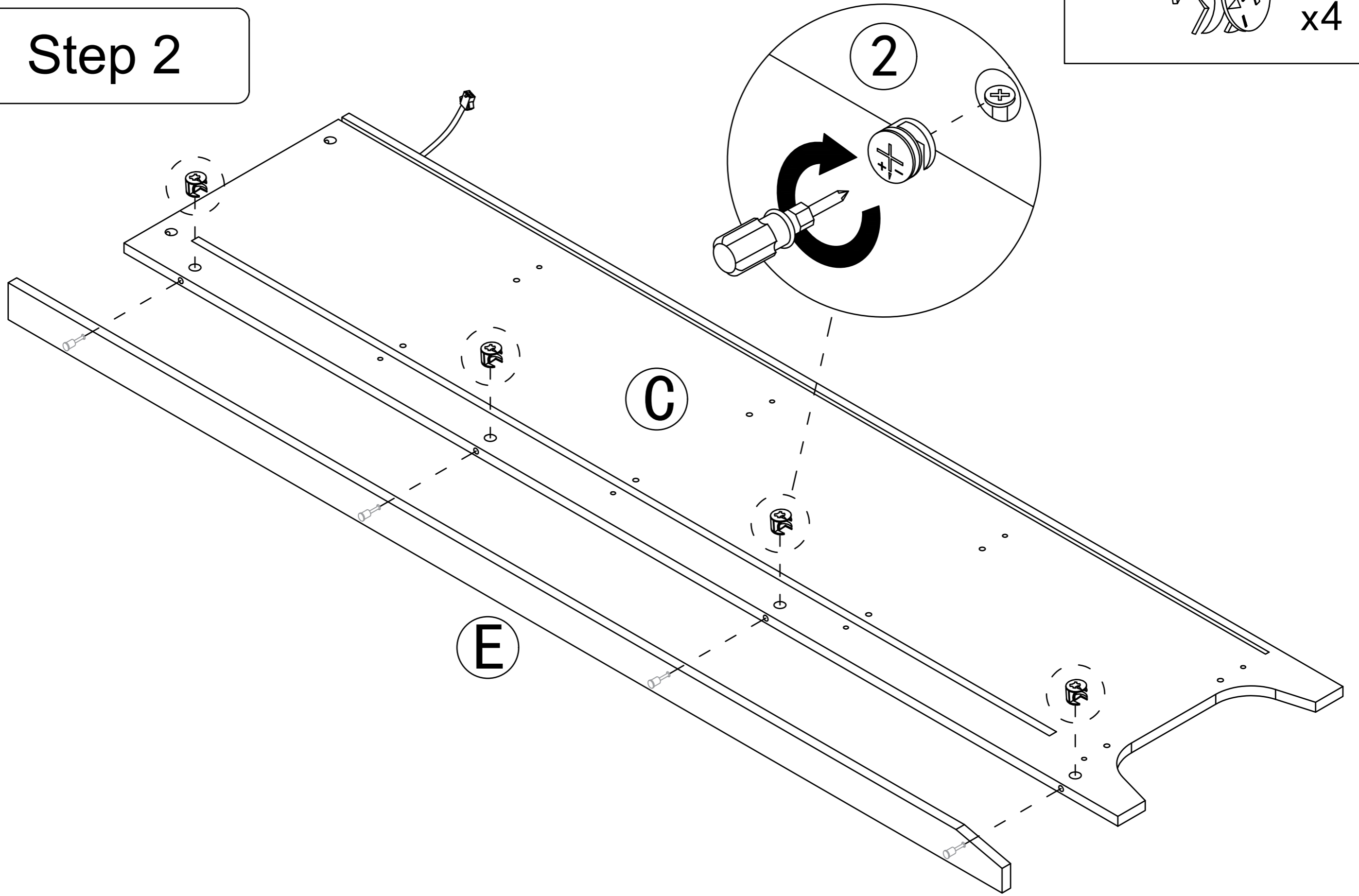
Step 1



5

SY

Step 2

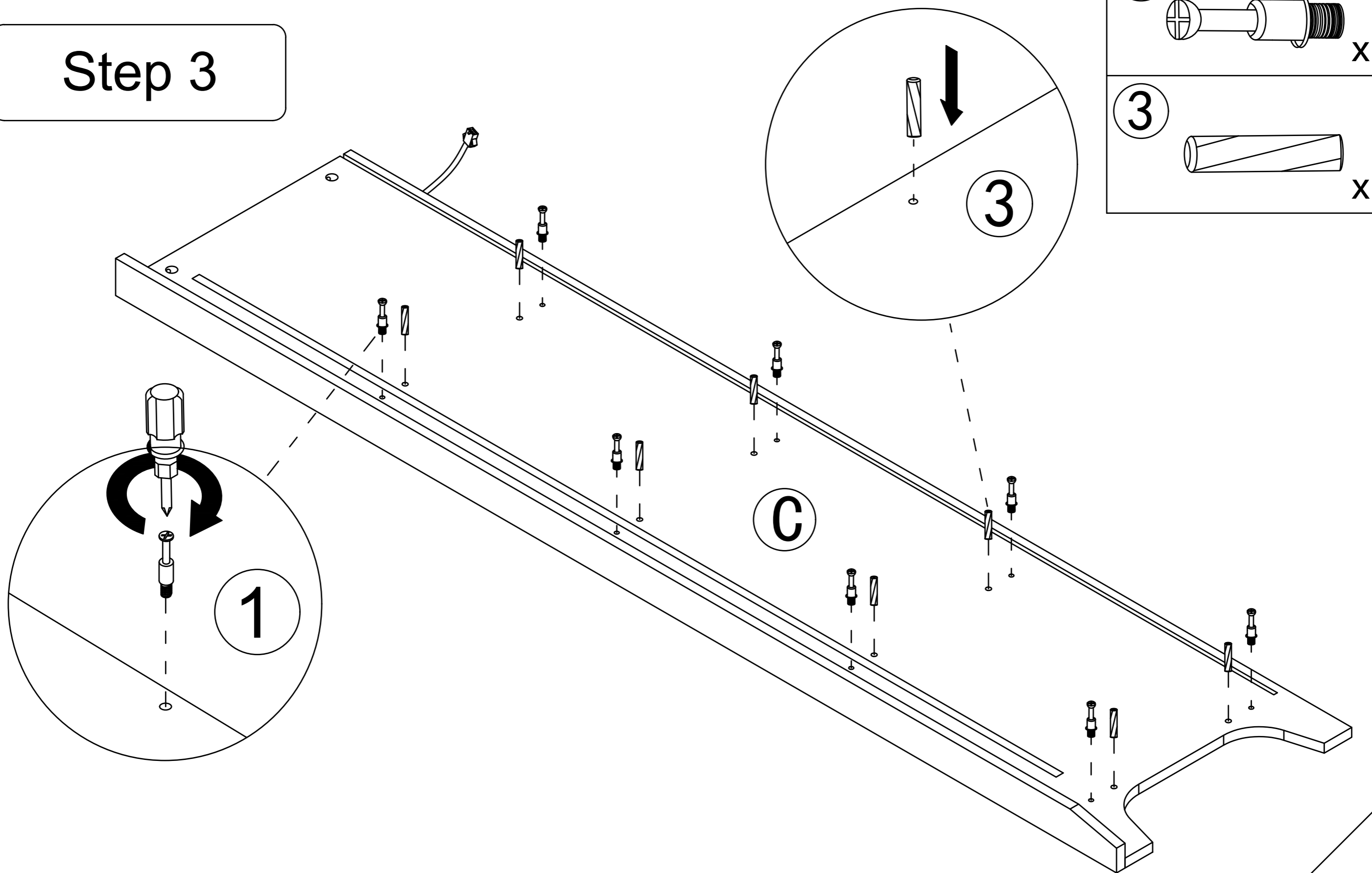


2

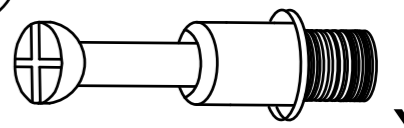


x4

Step 3

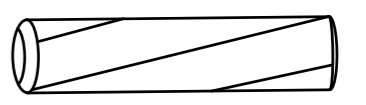


1



x8

3



x8

1

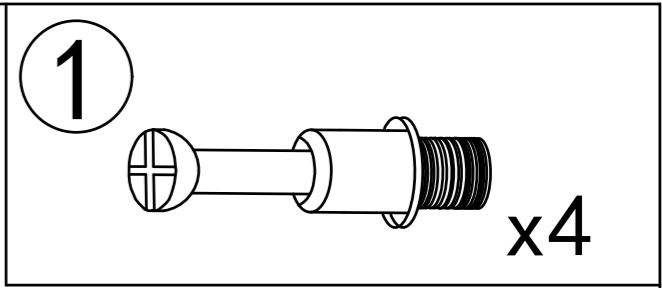
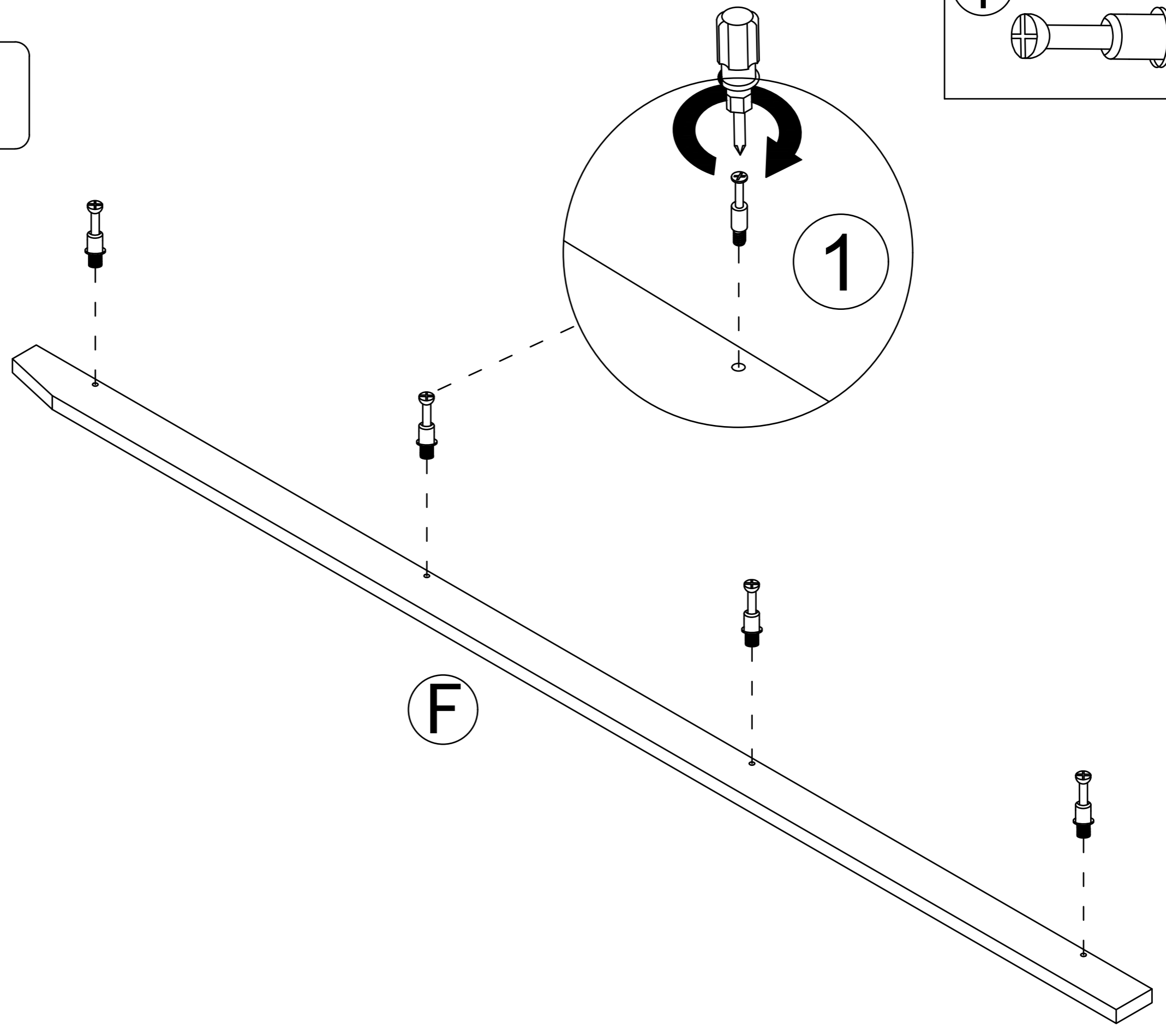
3

C

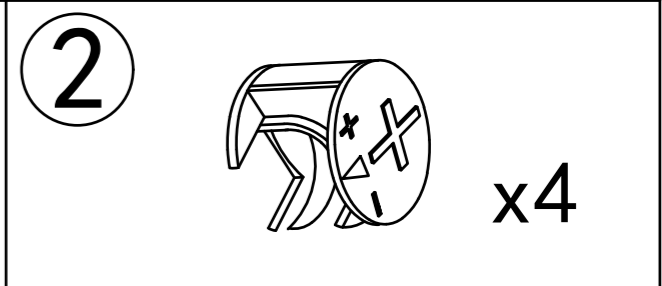
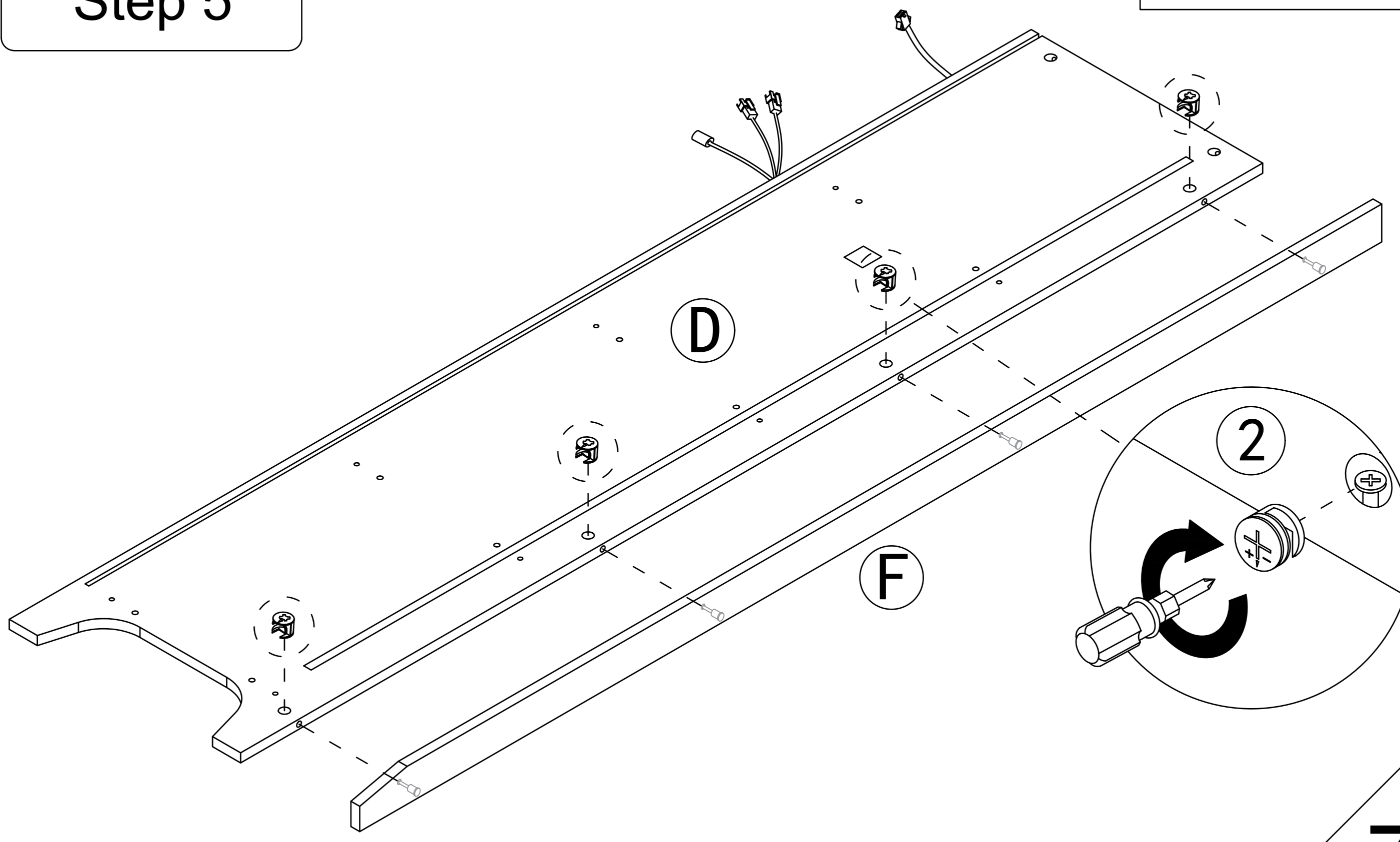
6

SY

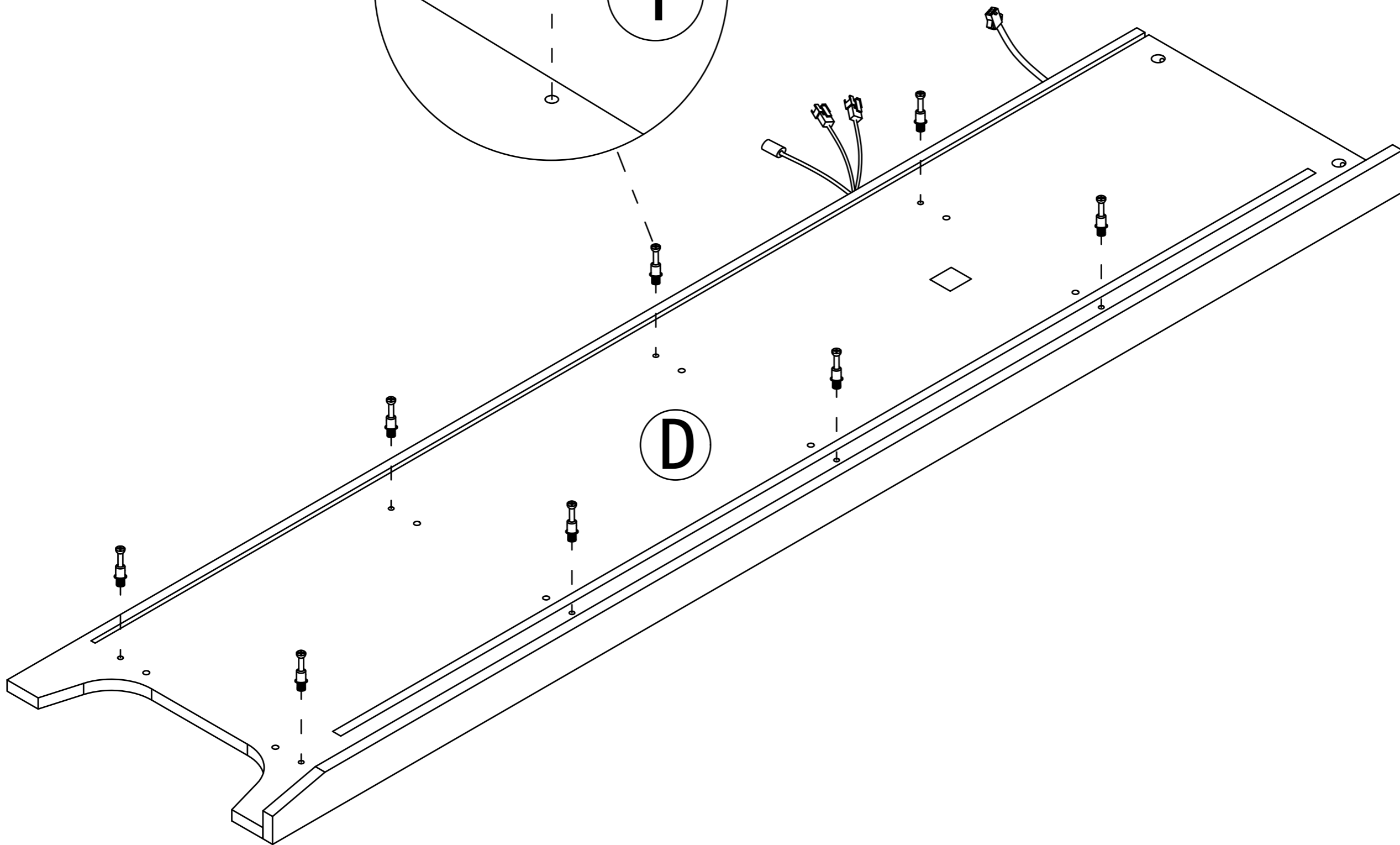
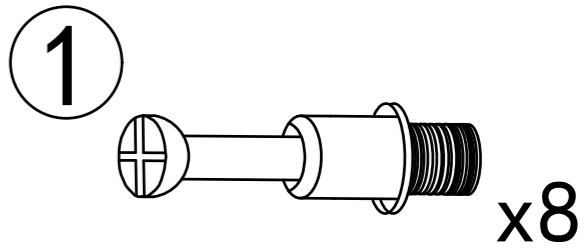
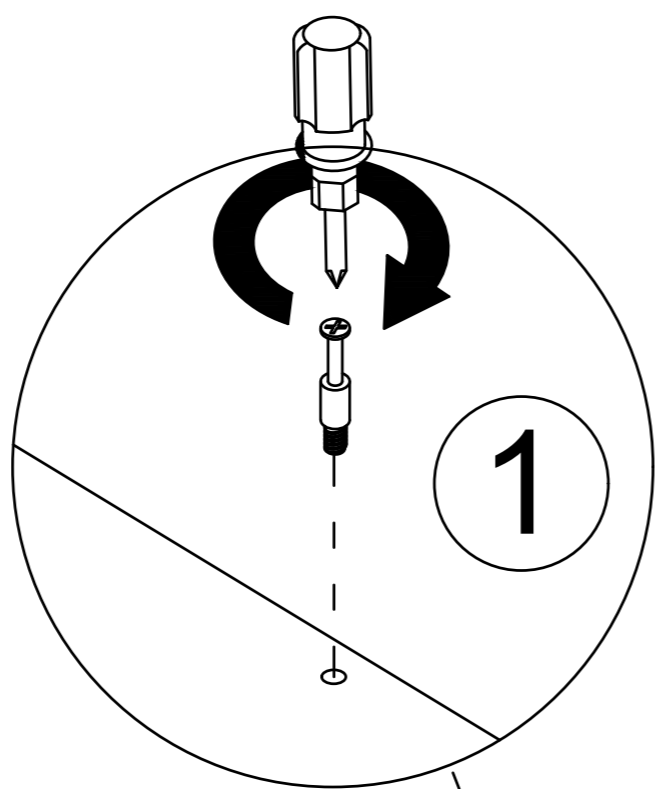
Step 4



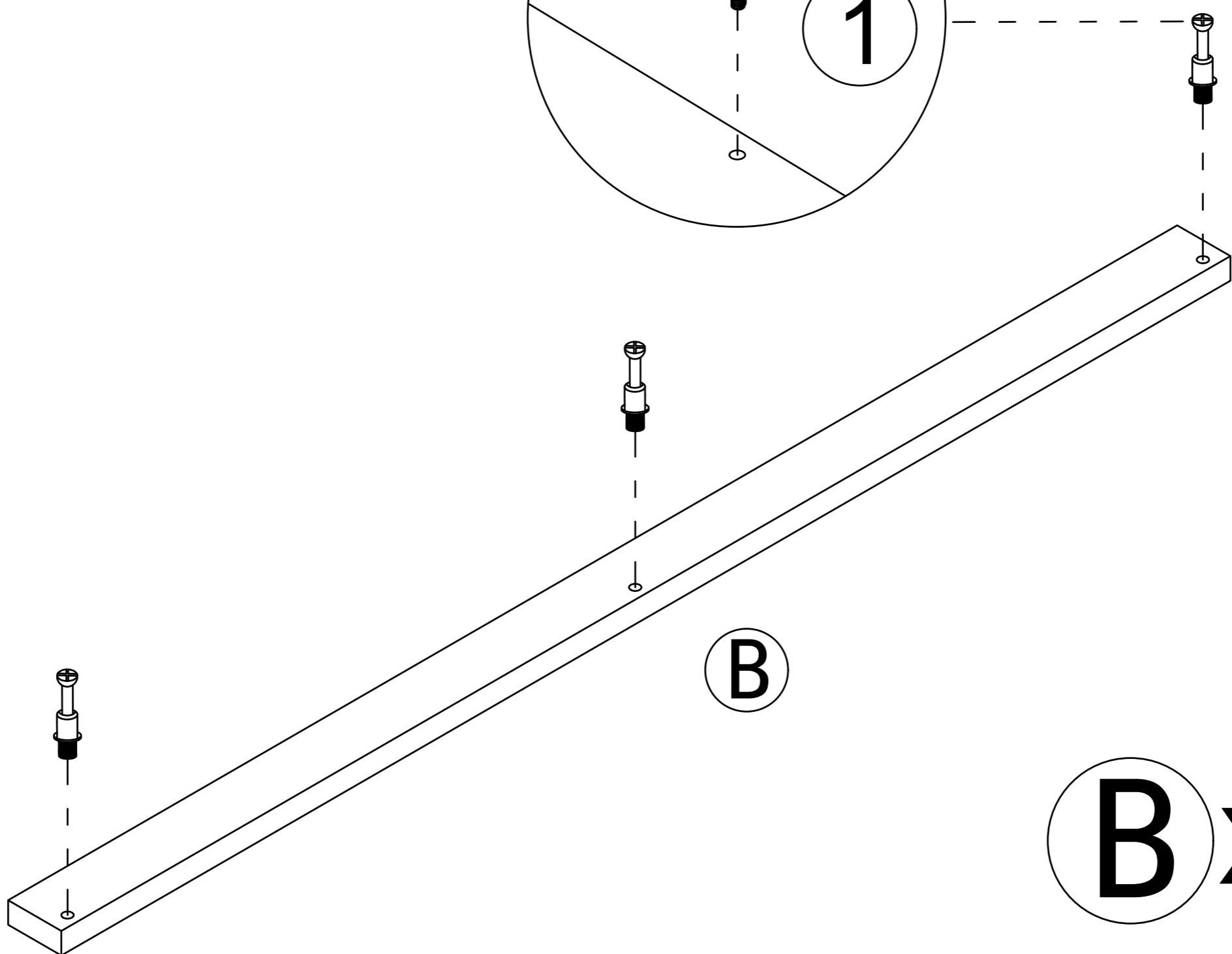
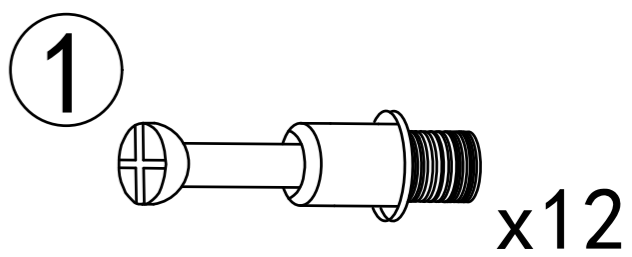
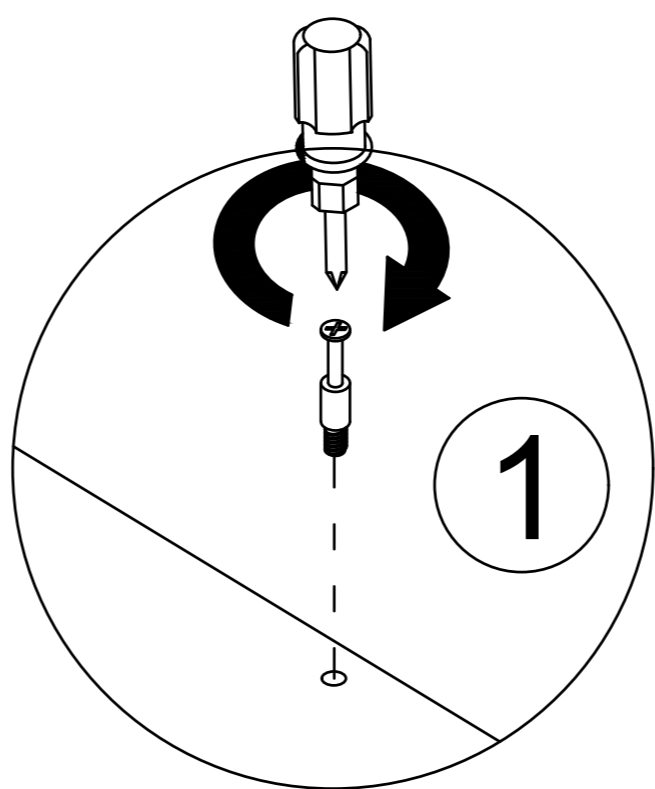
Step 5



Step 6



Step 7

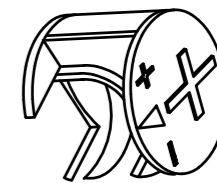


SY

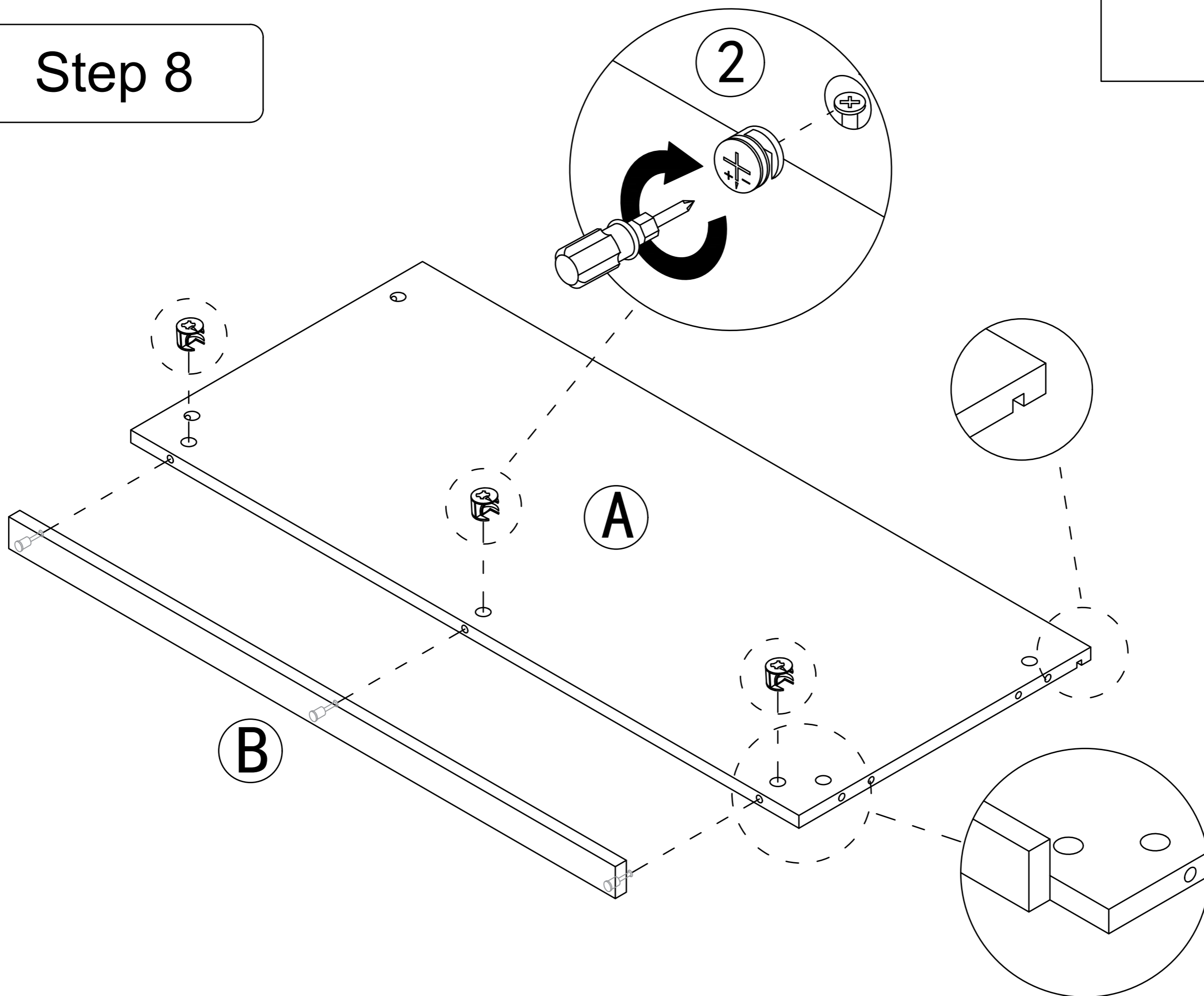
8

Step 8

2

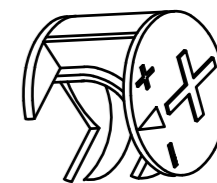


x3

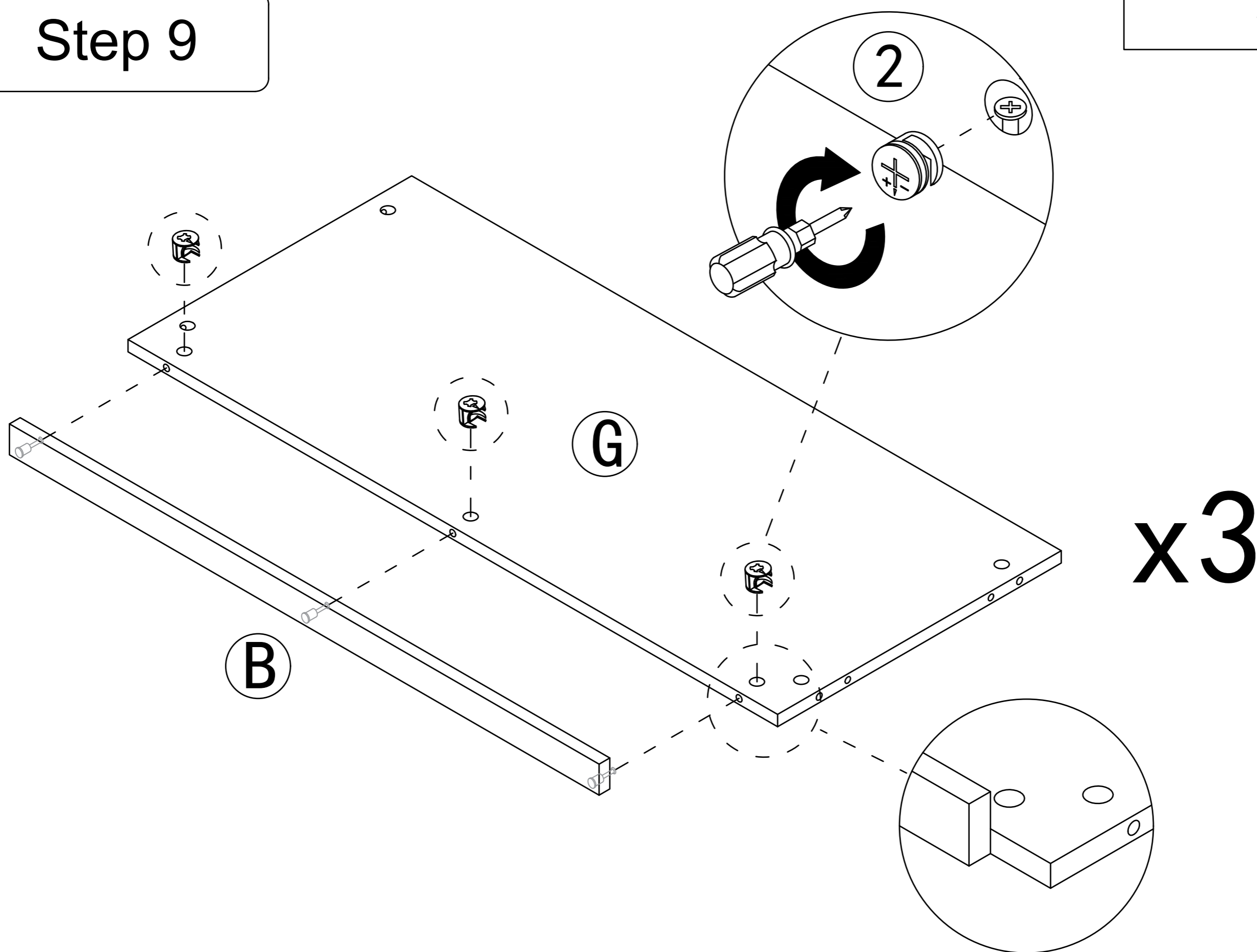


Step 9

2



x9

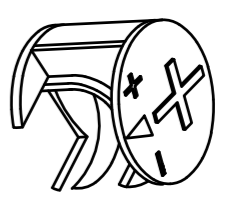
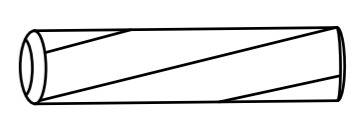


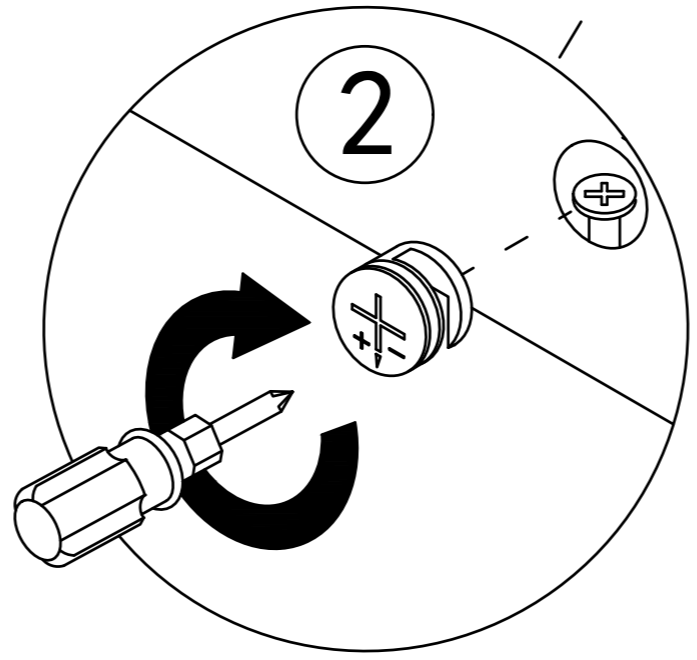
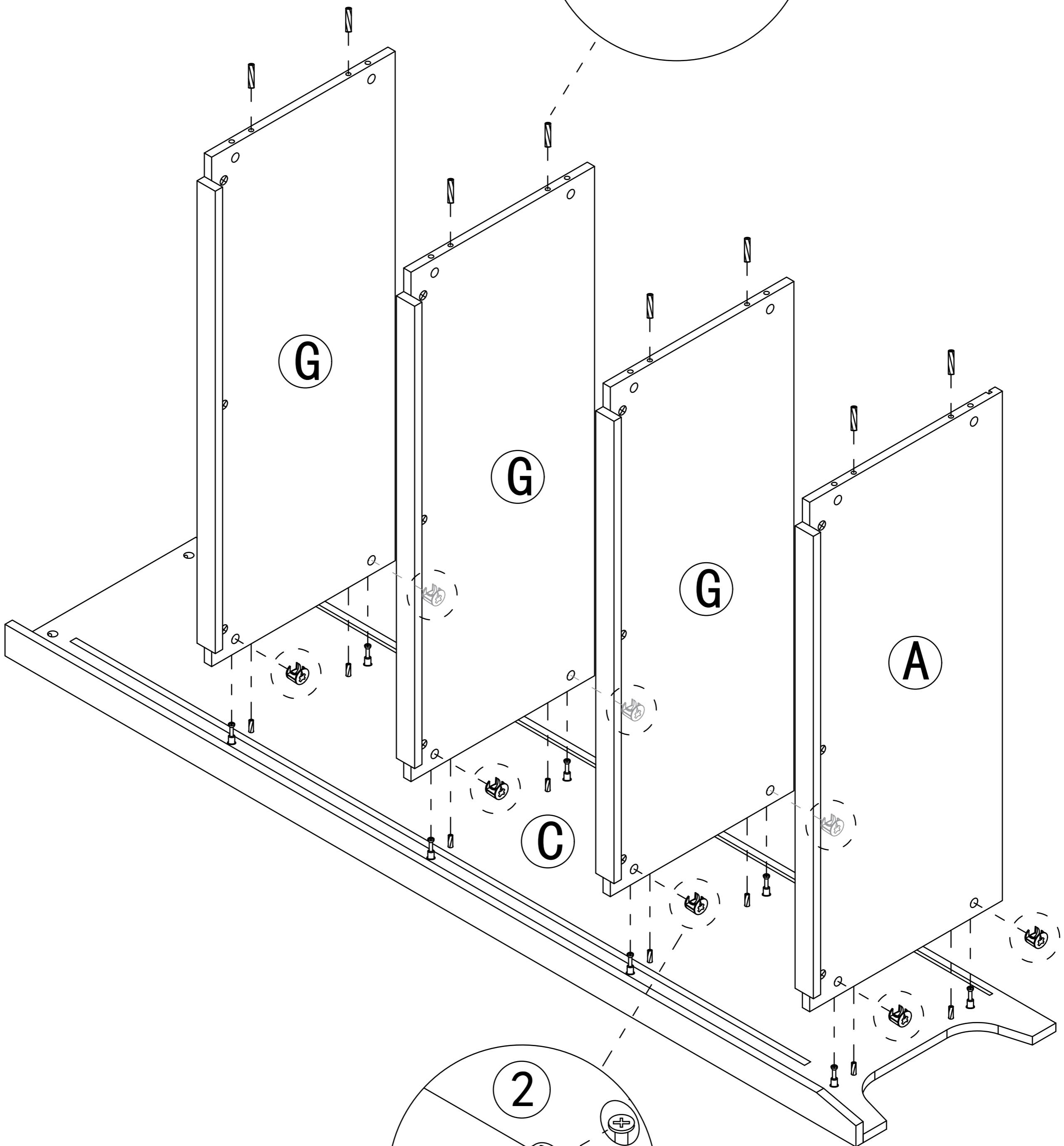
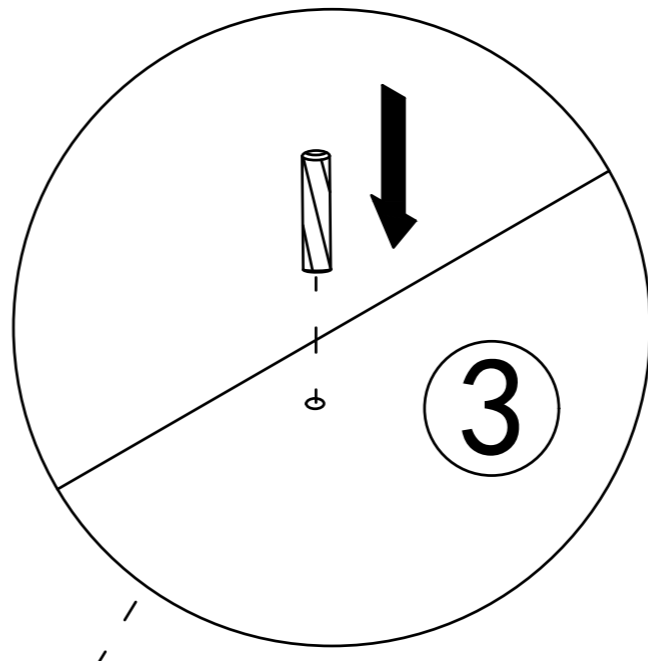
x3

9

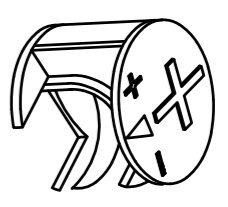
SY

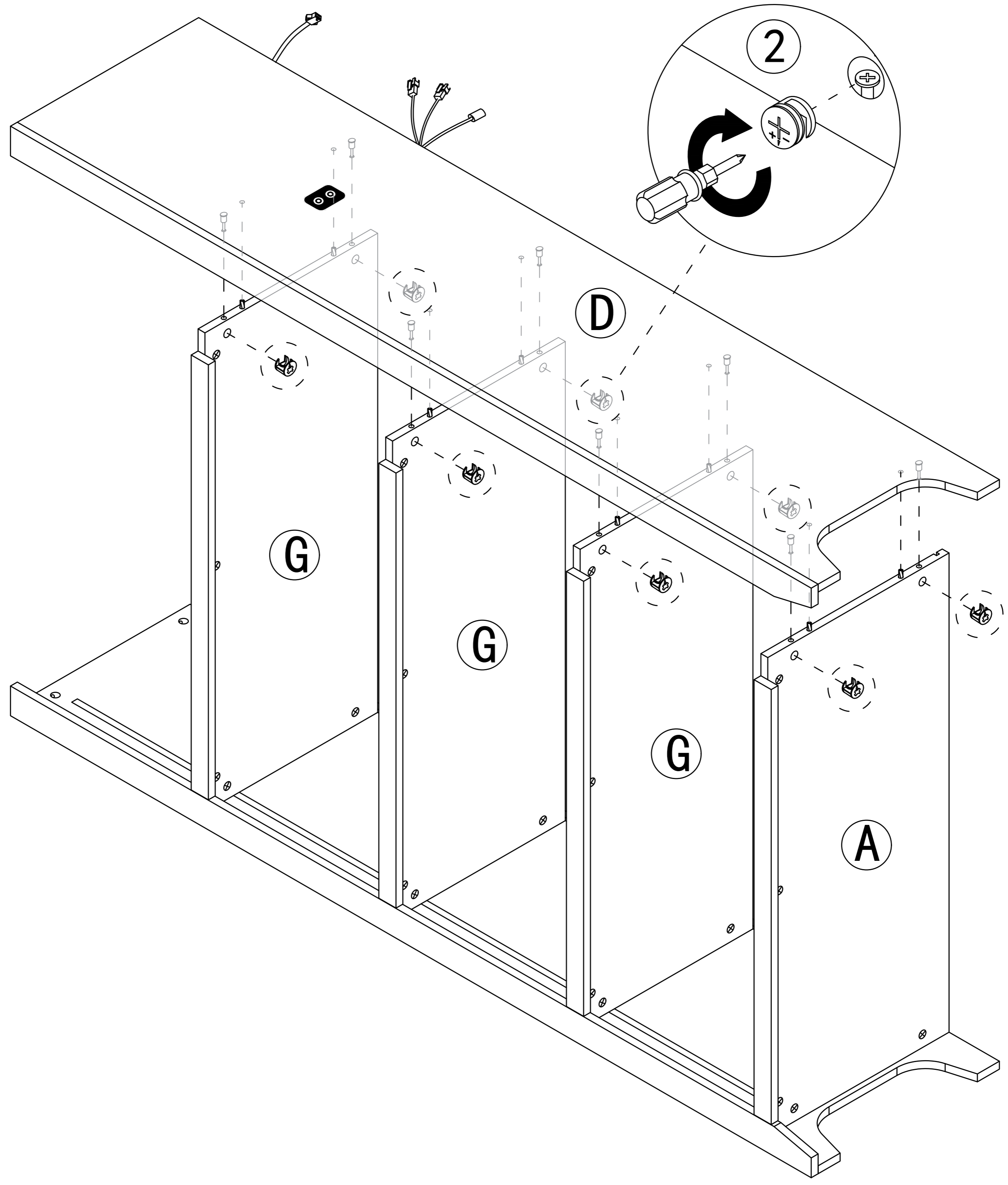
Step 10

- 2  x8
- 3  x8



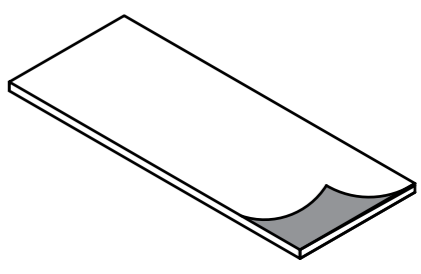
Step 11

2  x8



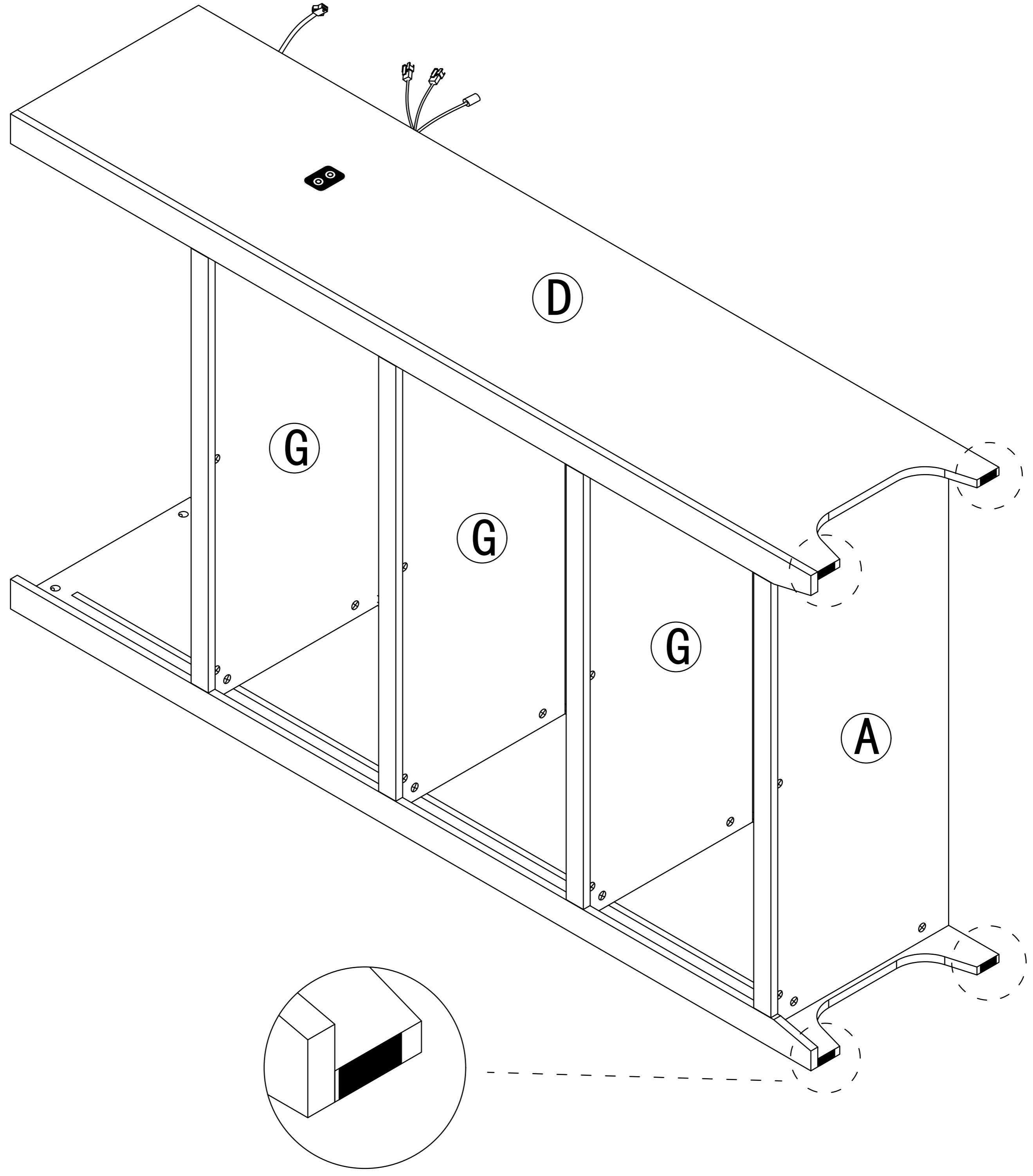
Step 12

5

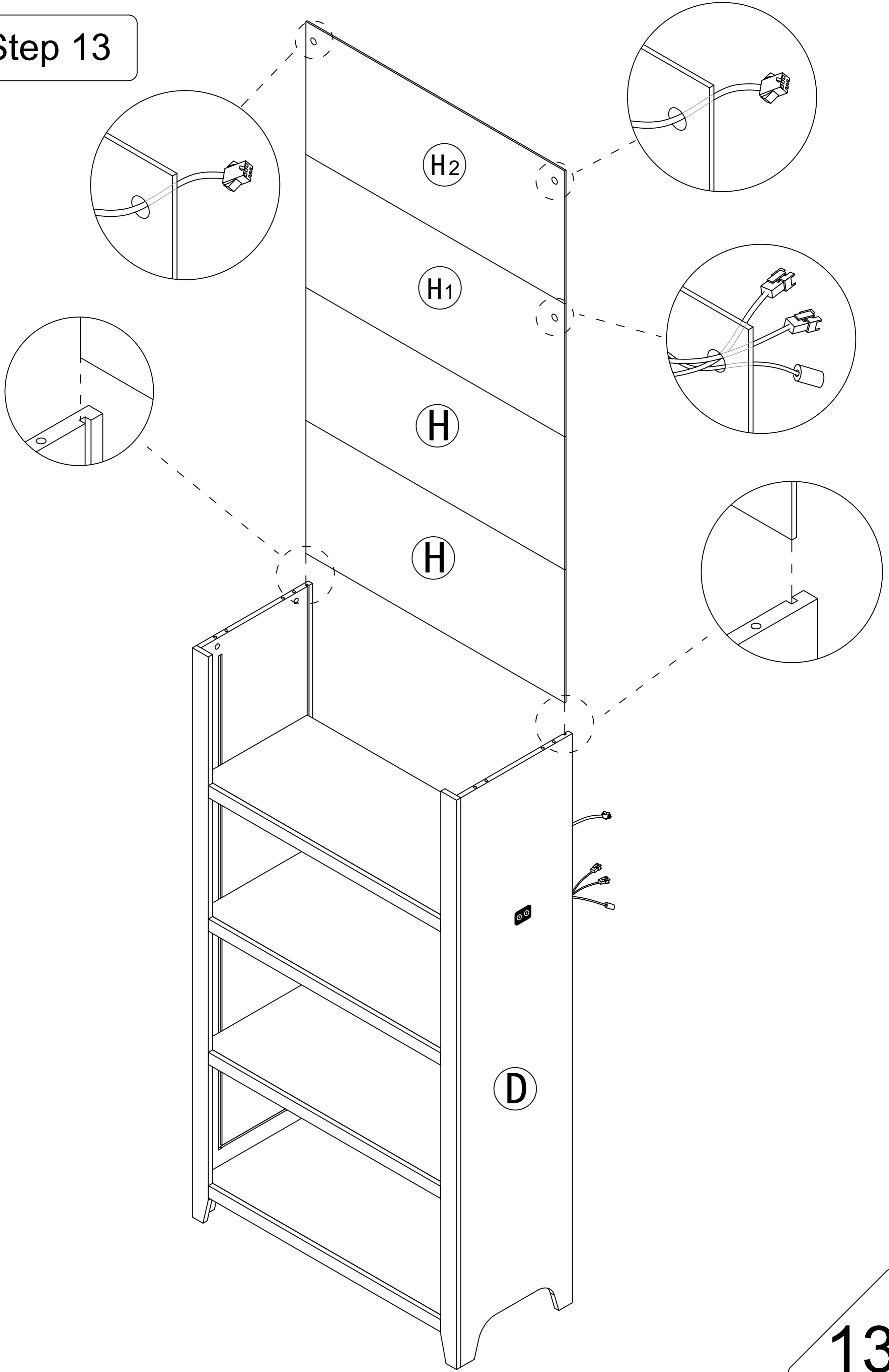


x4

Peel off the release paper and attach the black foot pad to the board.



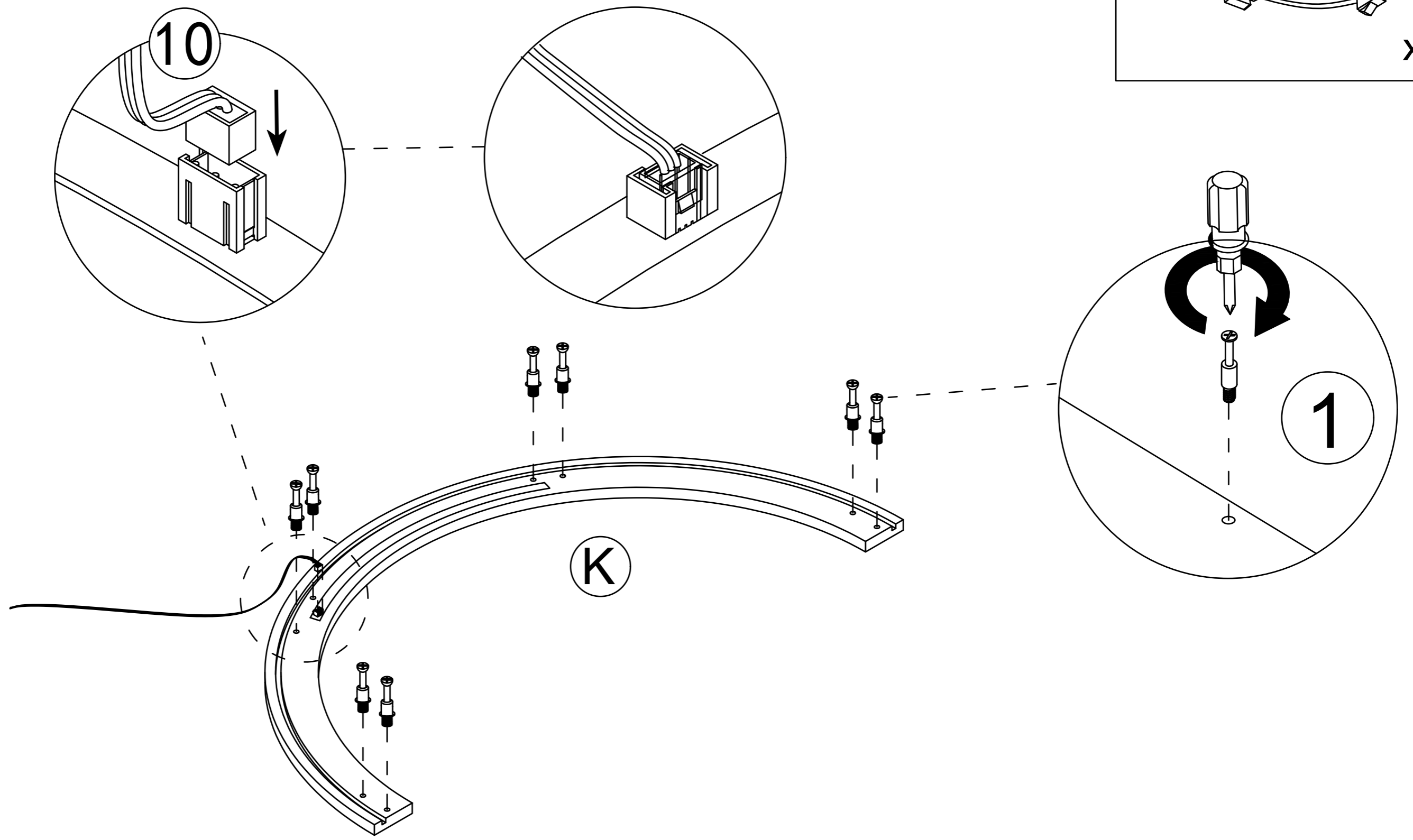
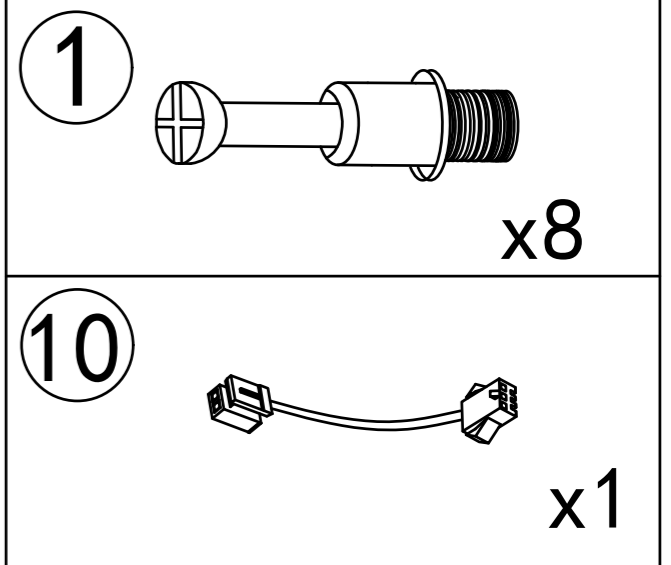
Step 13



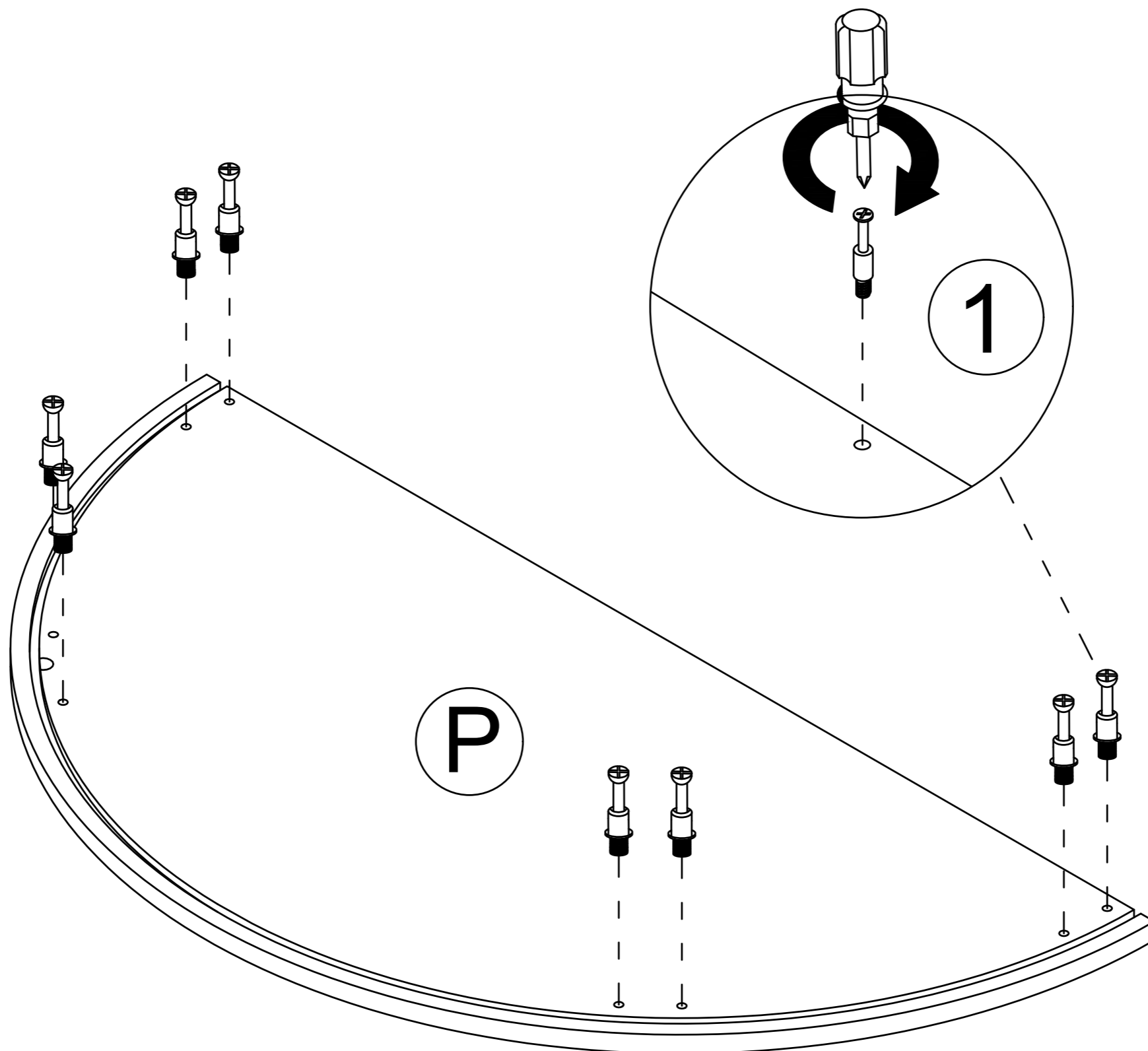
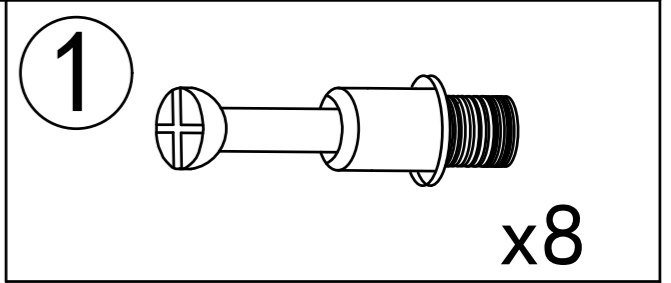
SY

Step 14

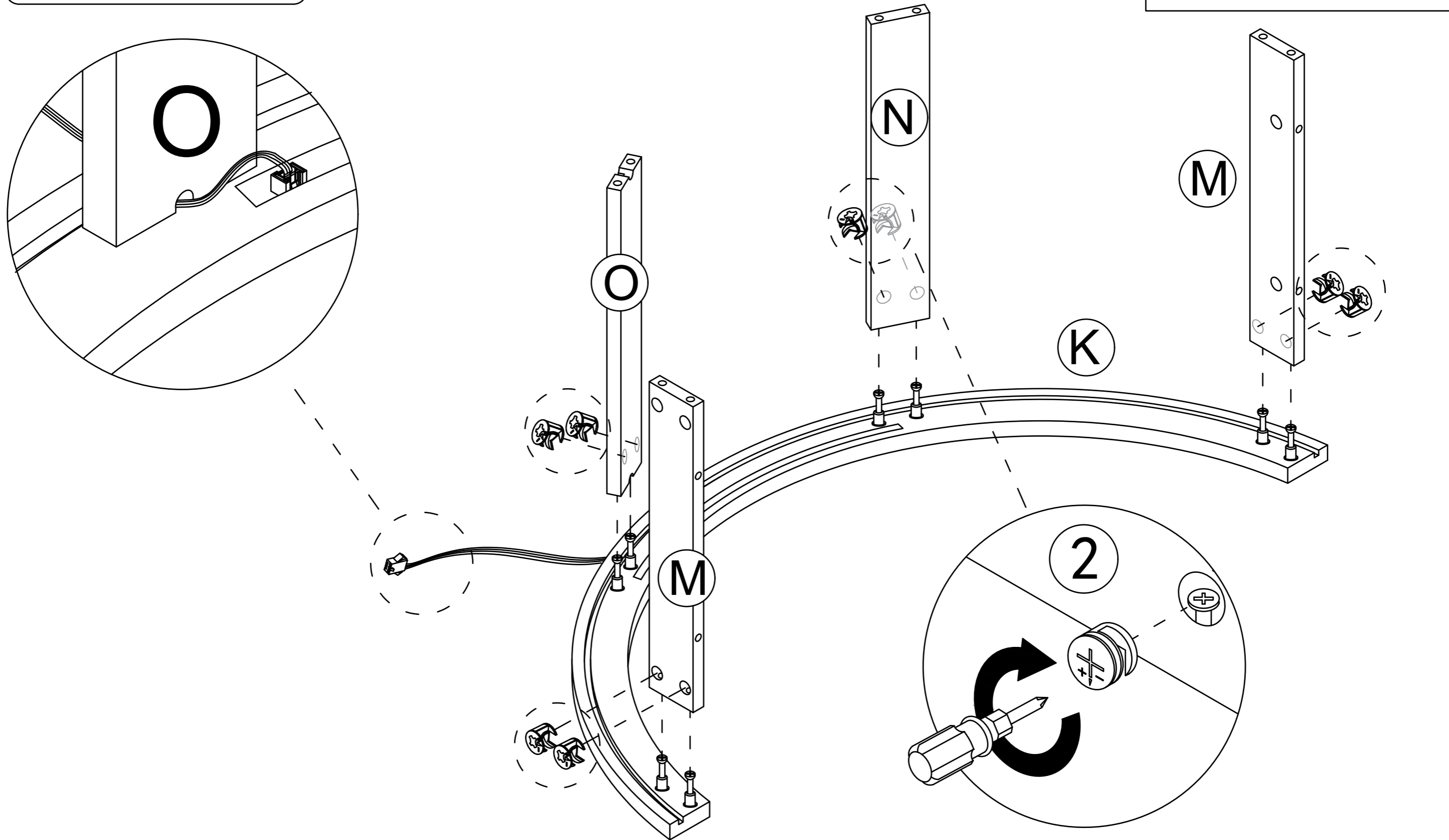
Connect the light cable to the socket.



Step 15

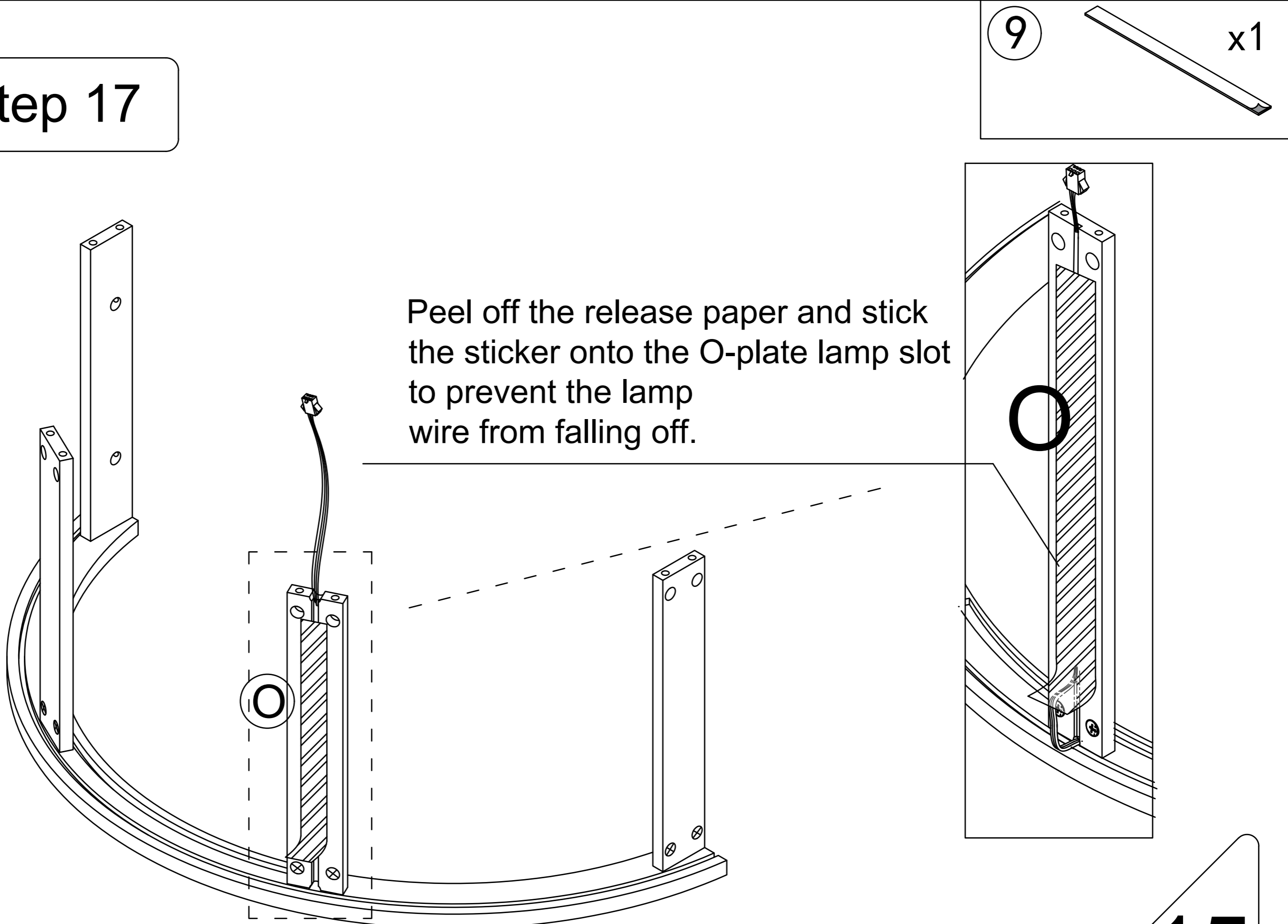


Step 16



Thread the light wire through board J and tighten the nut

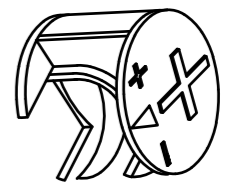
Step 17



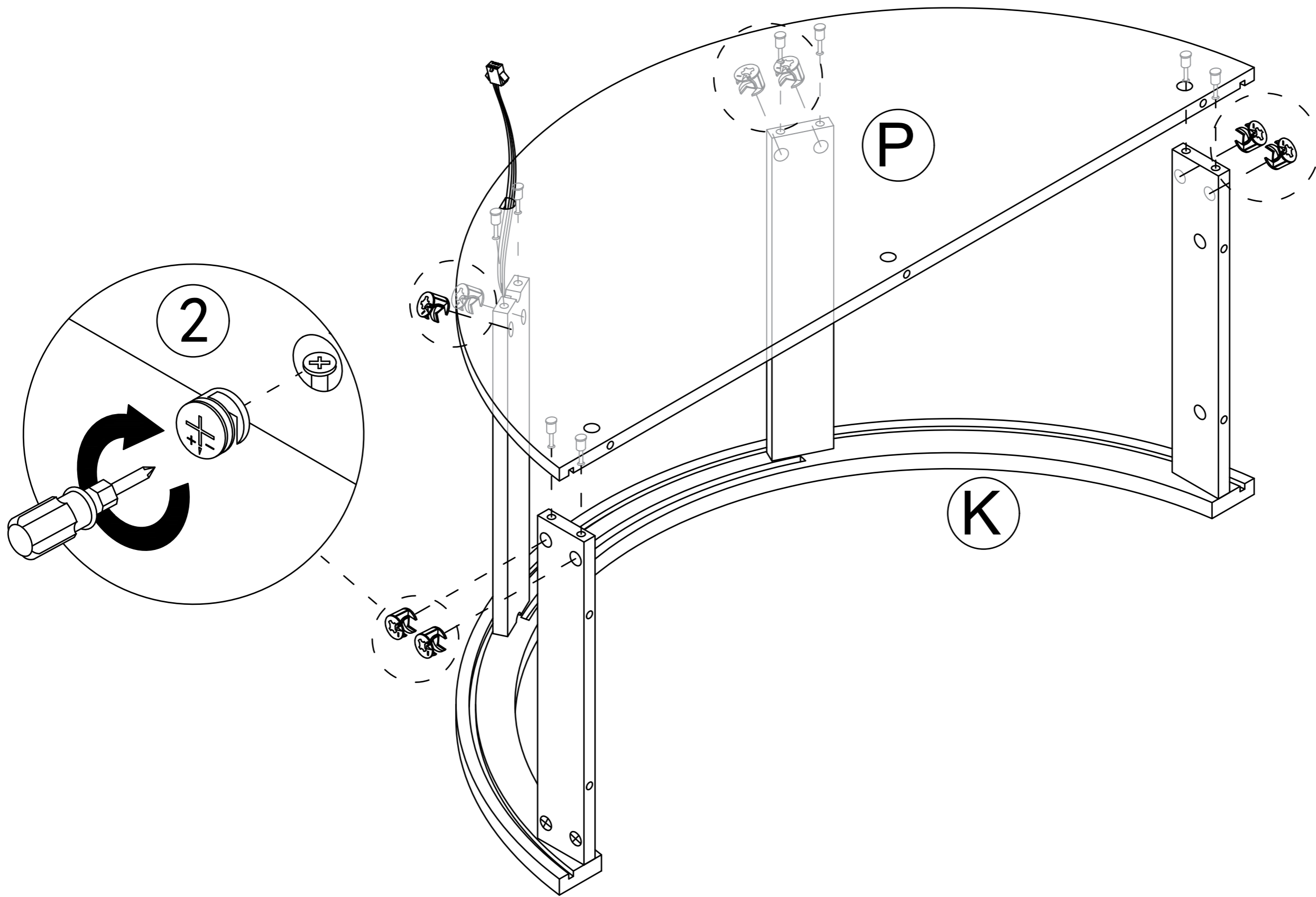
15

Step 18

2

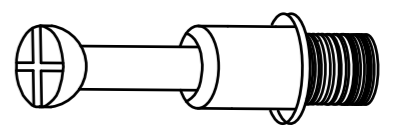


x8

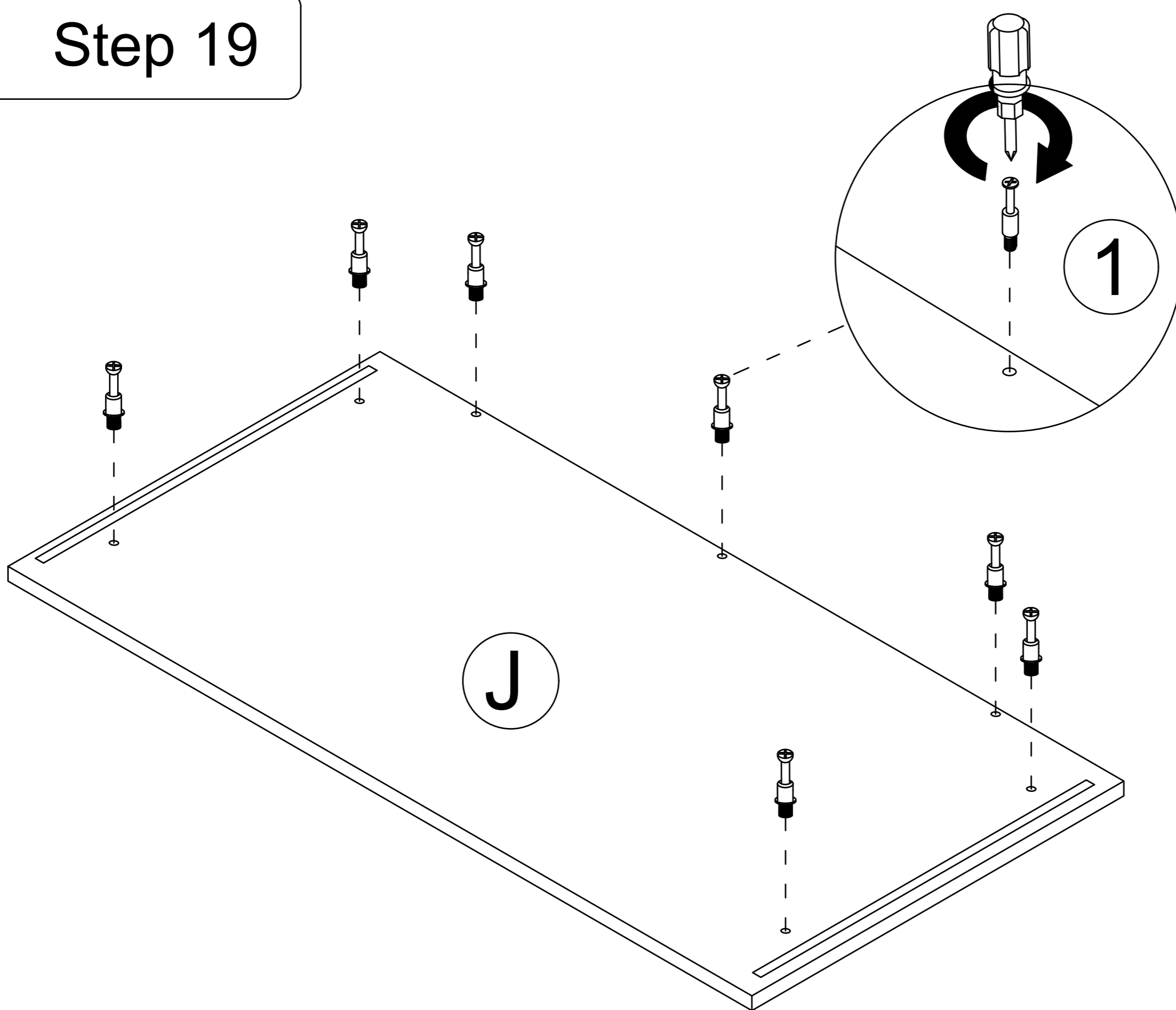


Step 19

1



x7

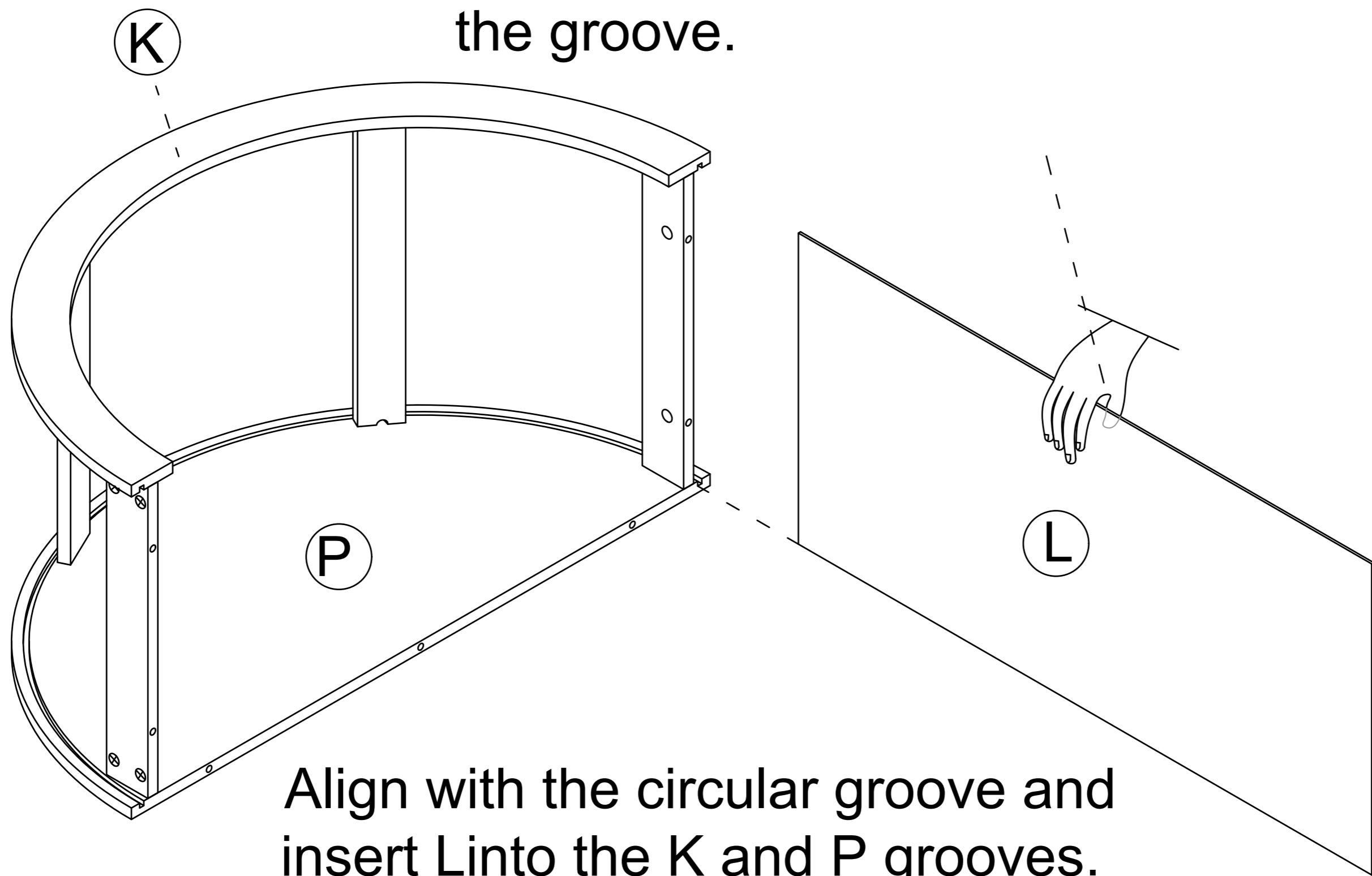


16

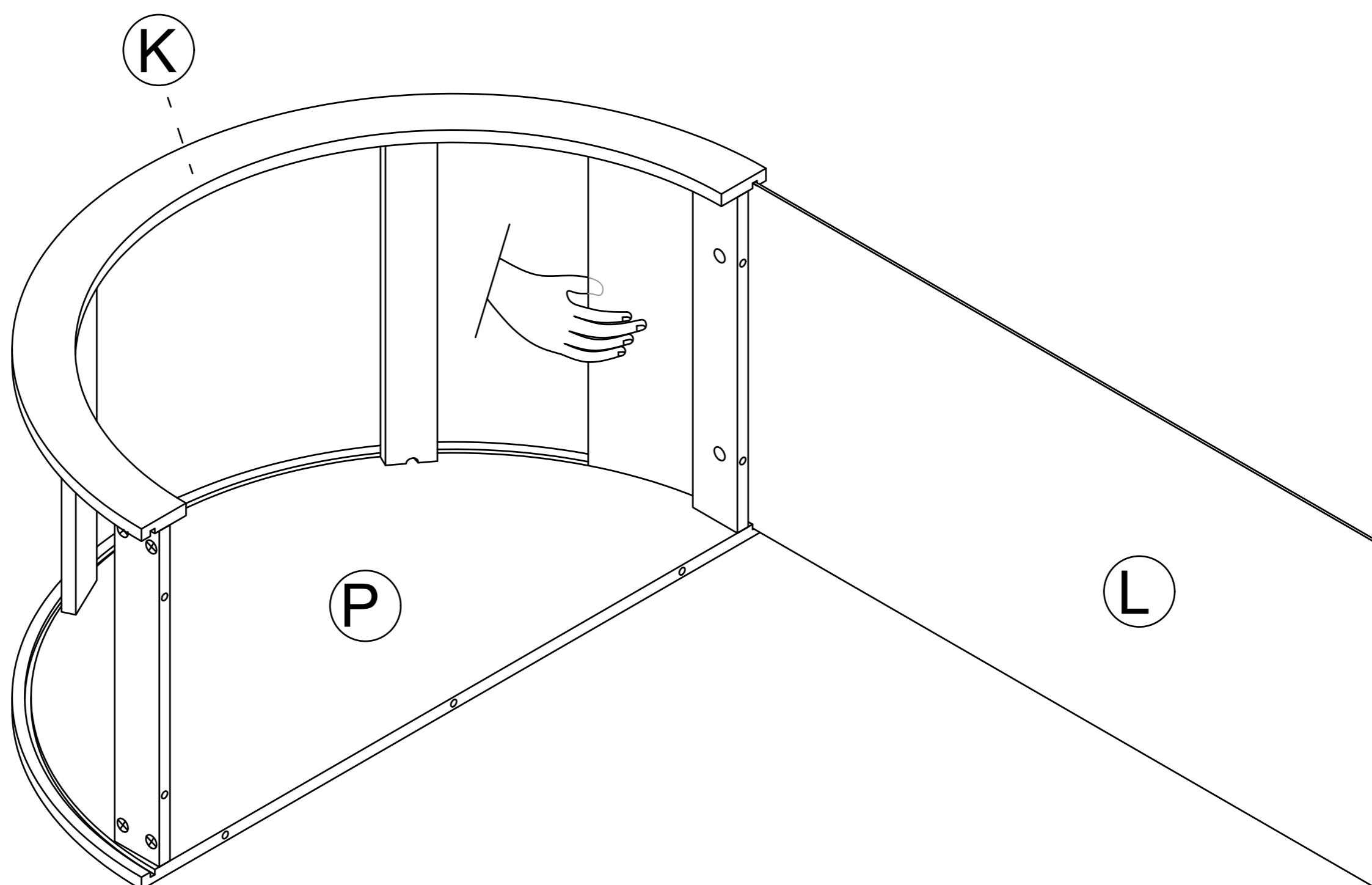
SY

Step 20

Note: When installing the L plate, press the center of the L plate with your hand to guide it into the groove.

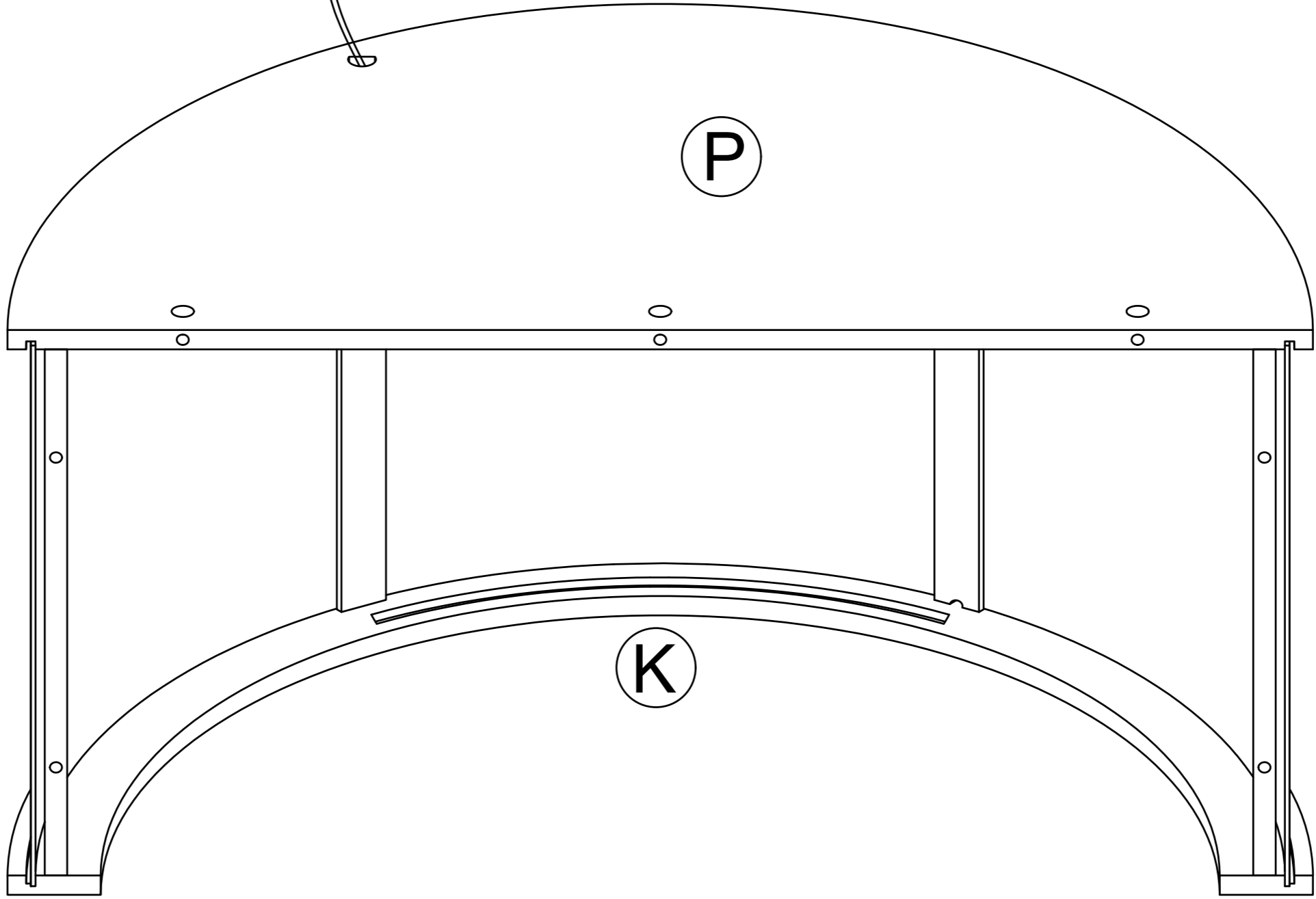
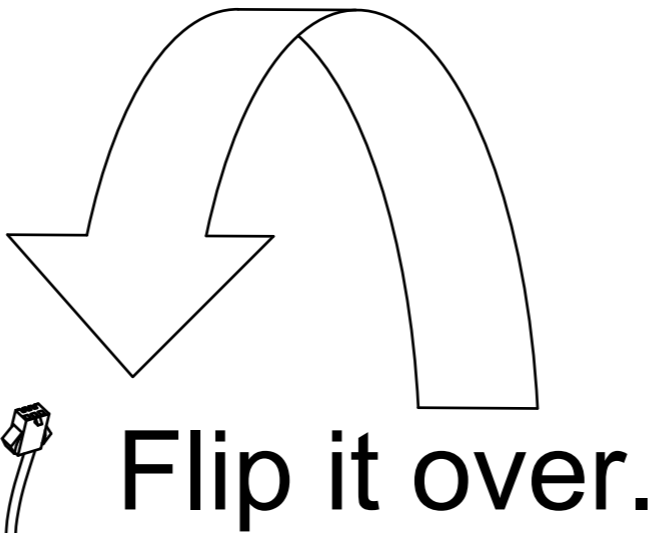
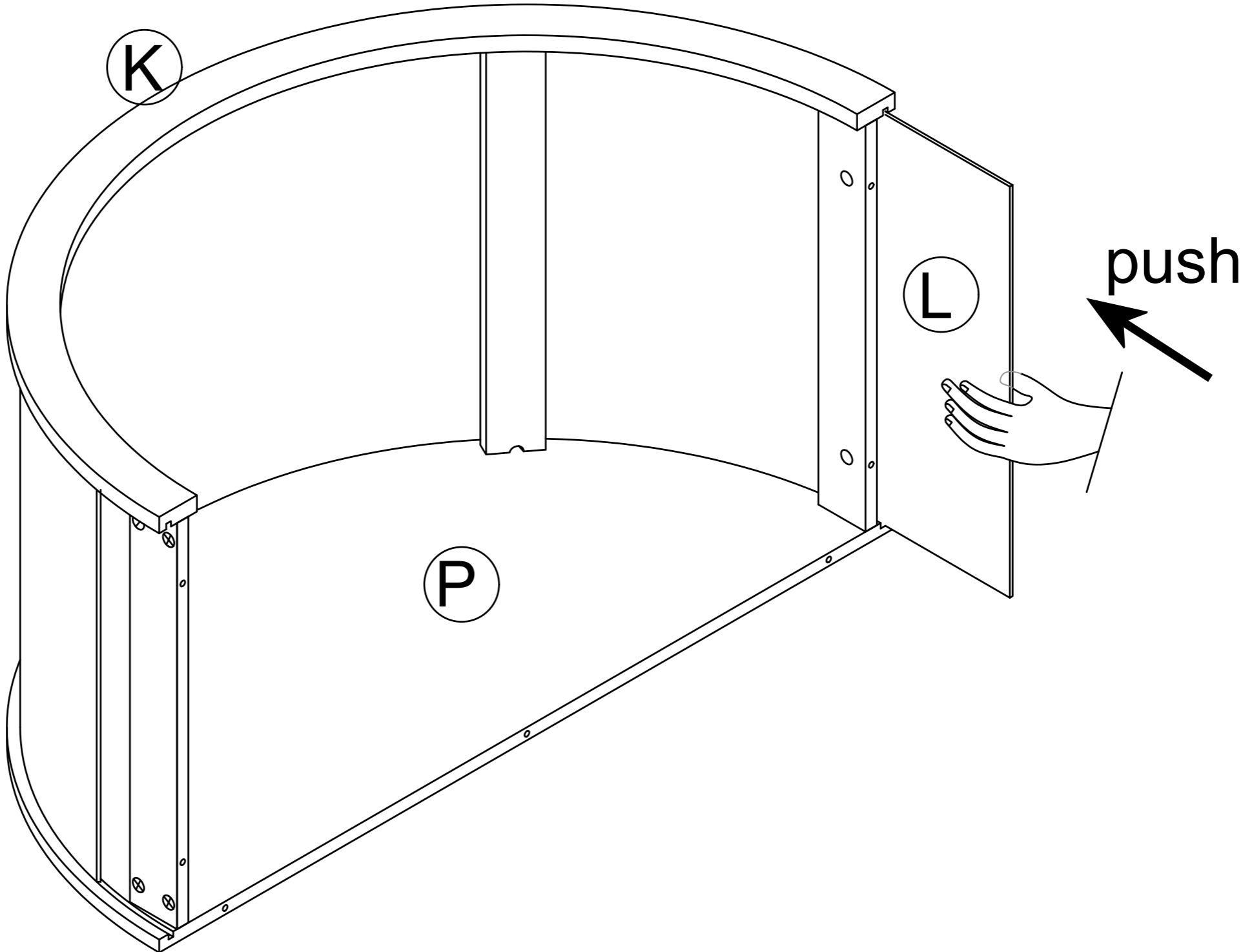


Align with the circular groove and insert L into the K and P grooves.

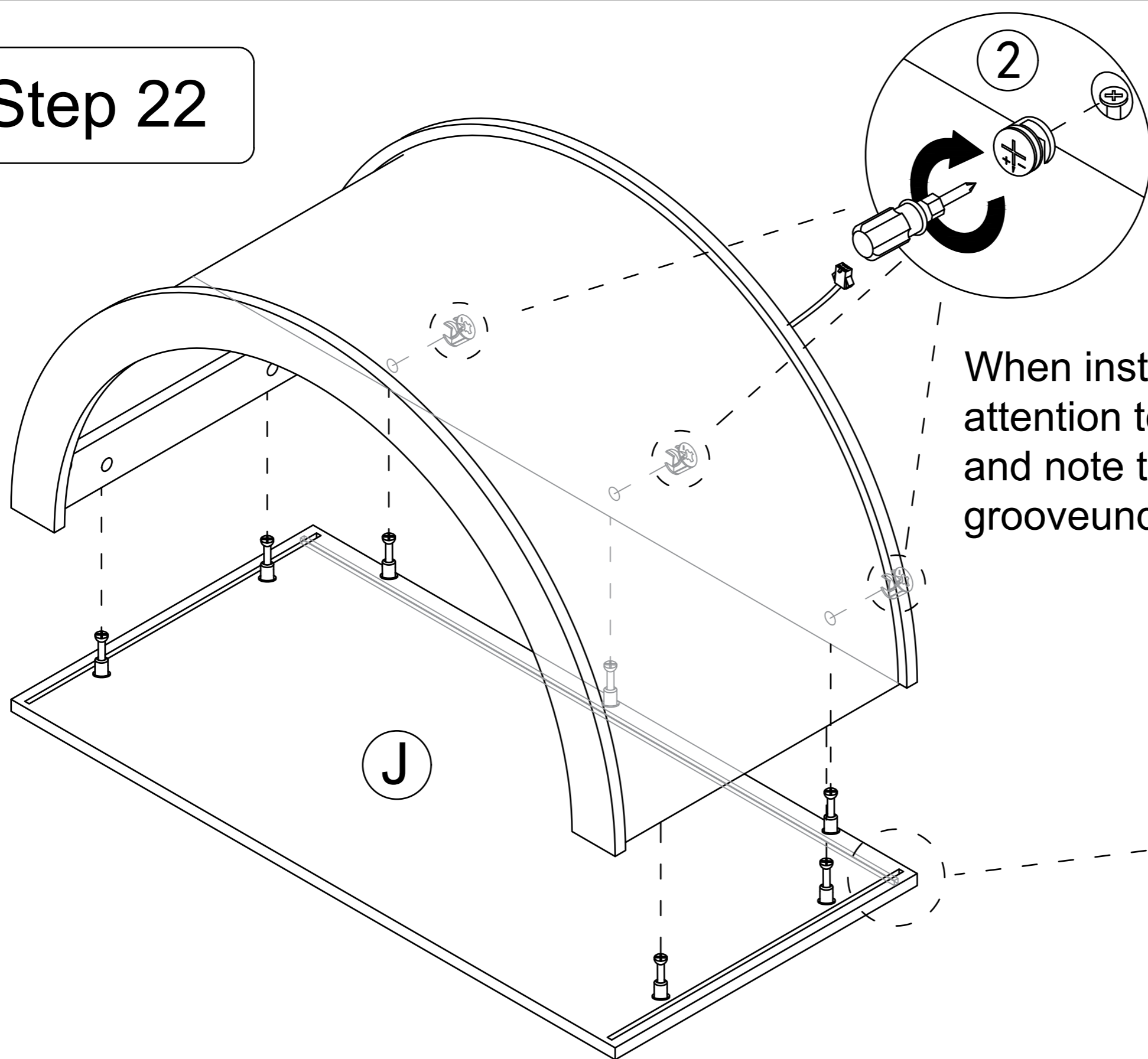


If it is difficult to insert the L plate, you can use the pulling method

Step 21



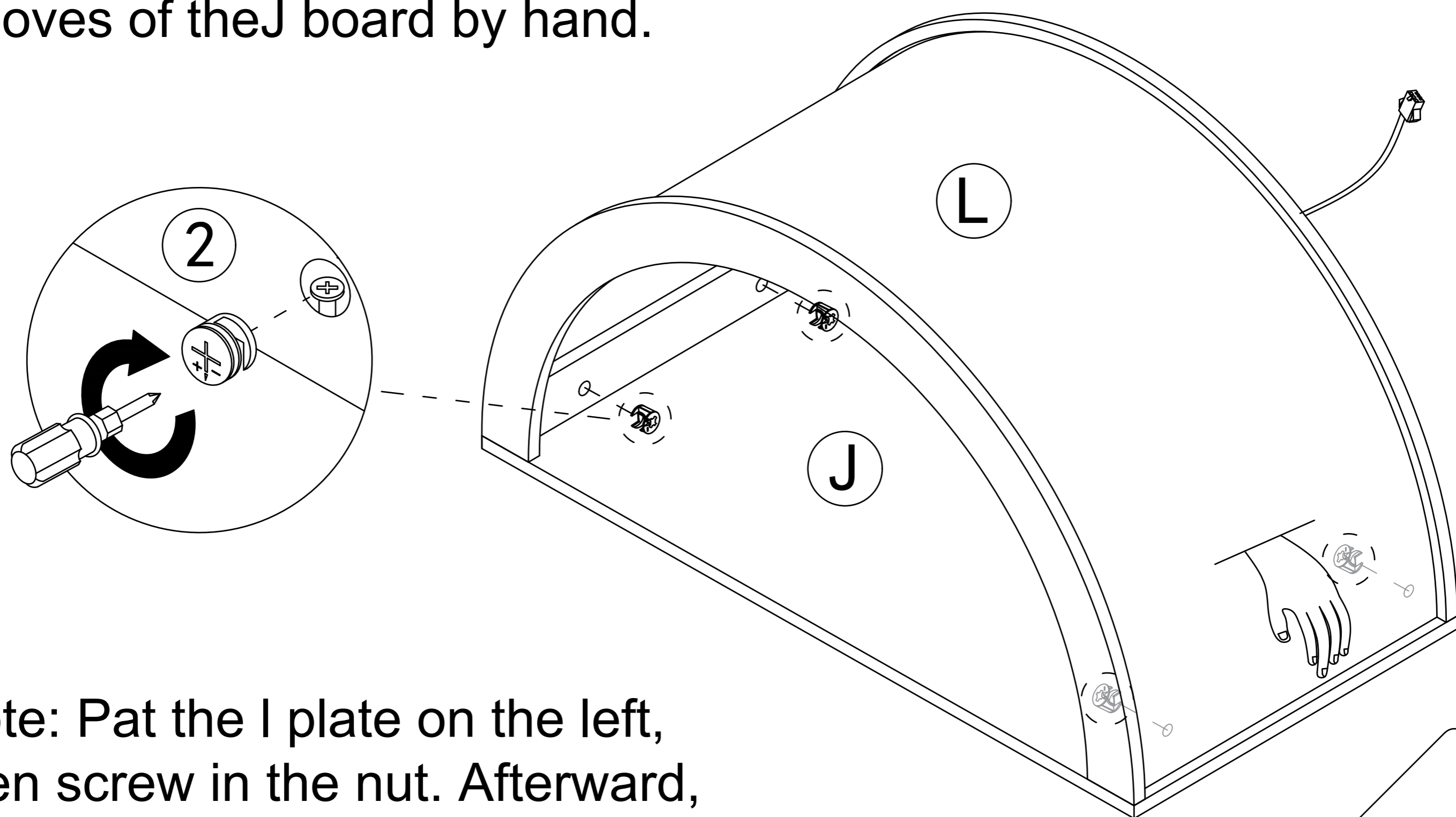
Step 22



When installing the P plate, pay attention to the front and back, and note that there is a groove under the P plate.

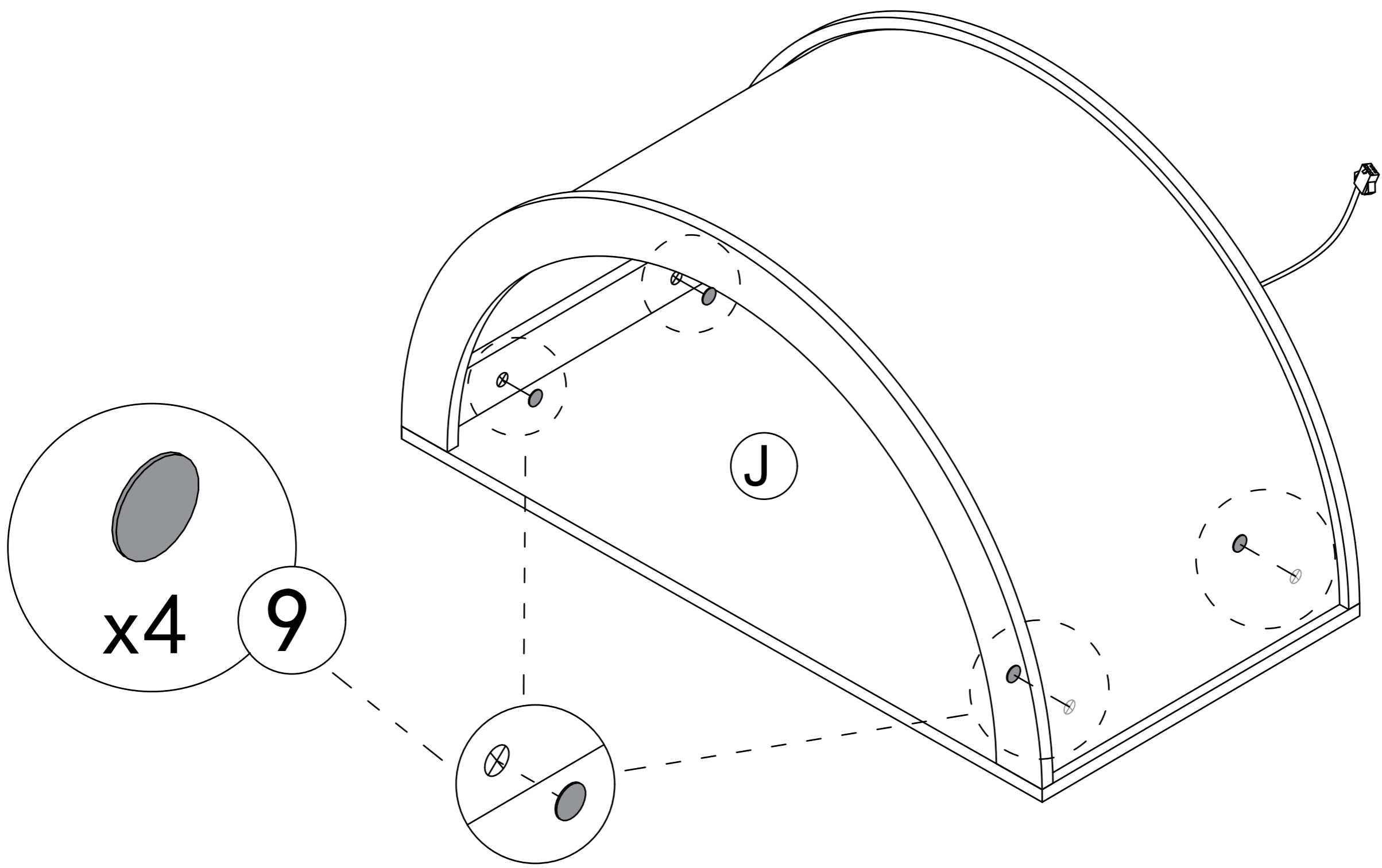
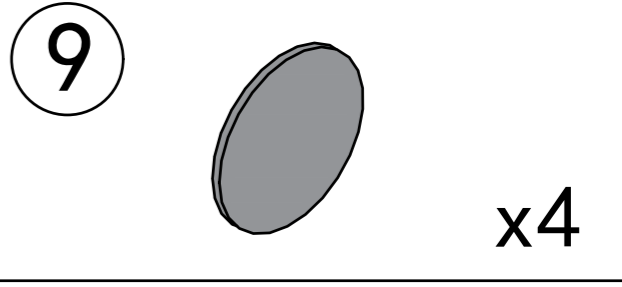
Step 23

Note: After installing the L board, gently tap the backboards on both sides into the grooves of the J board by hand.

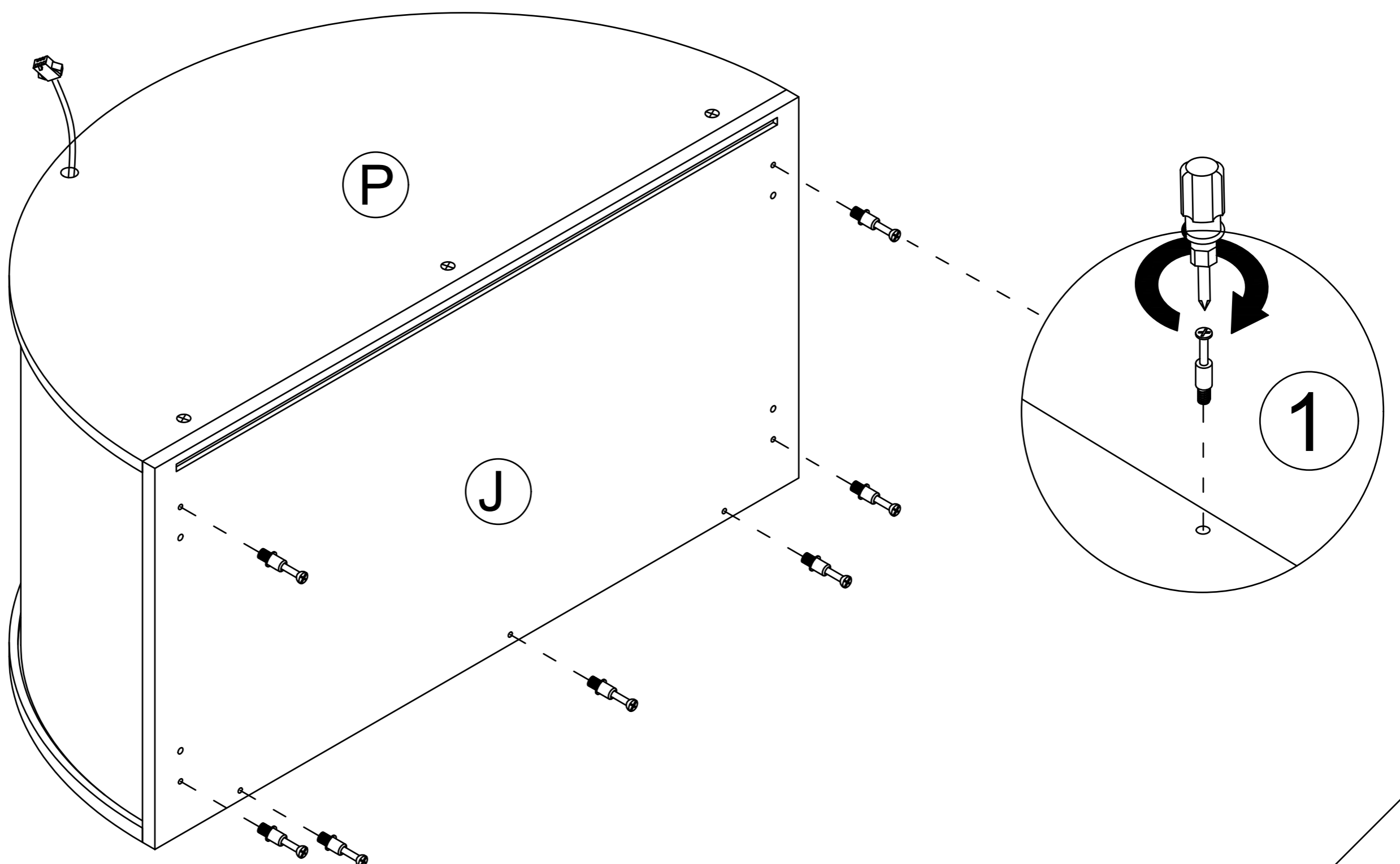
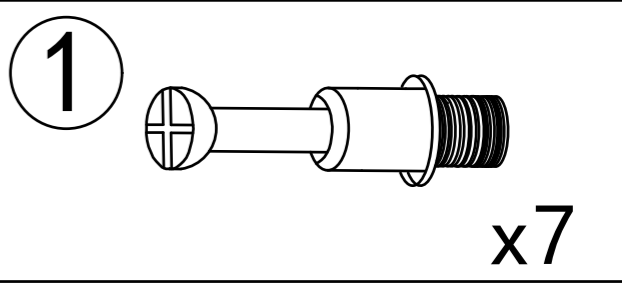


Note: Pat the I plate on the left, then screw in the nut. Afterward, pat the L plate on the right and screw in the nut.

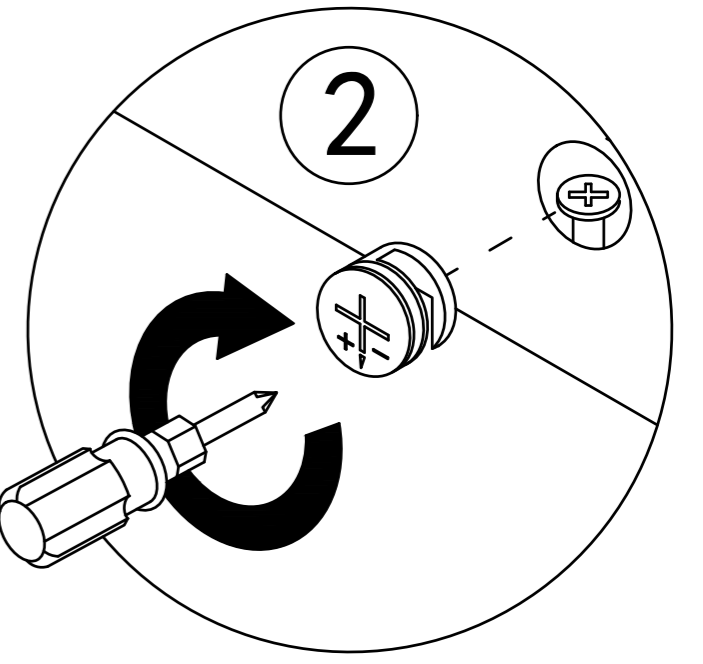
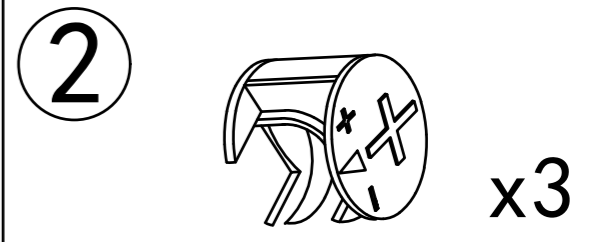
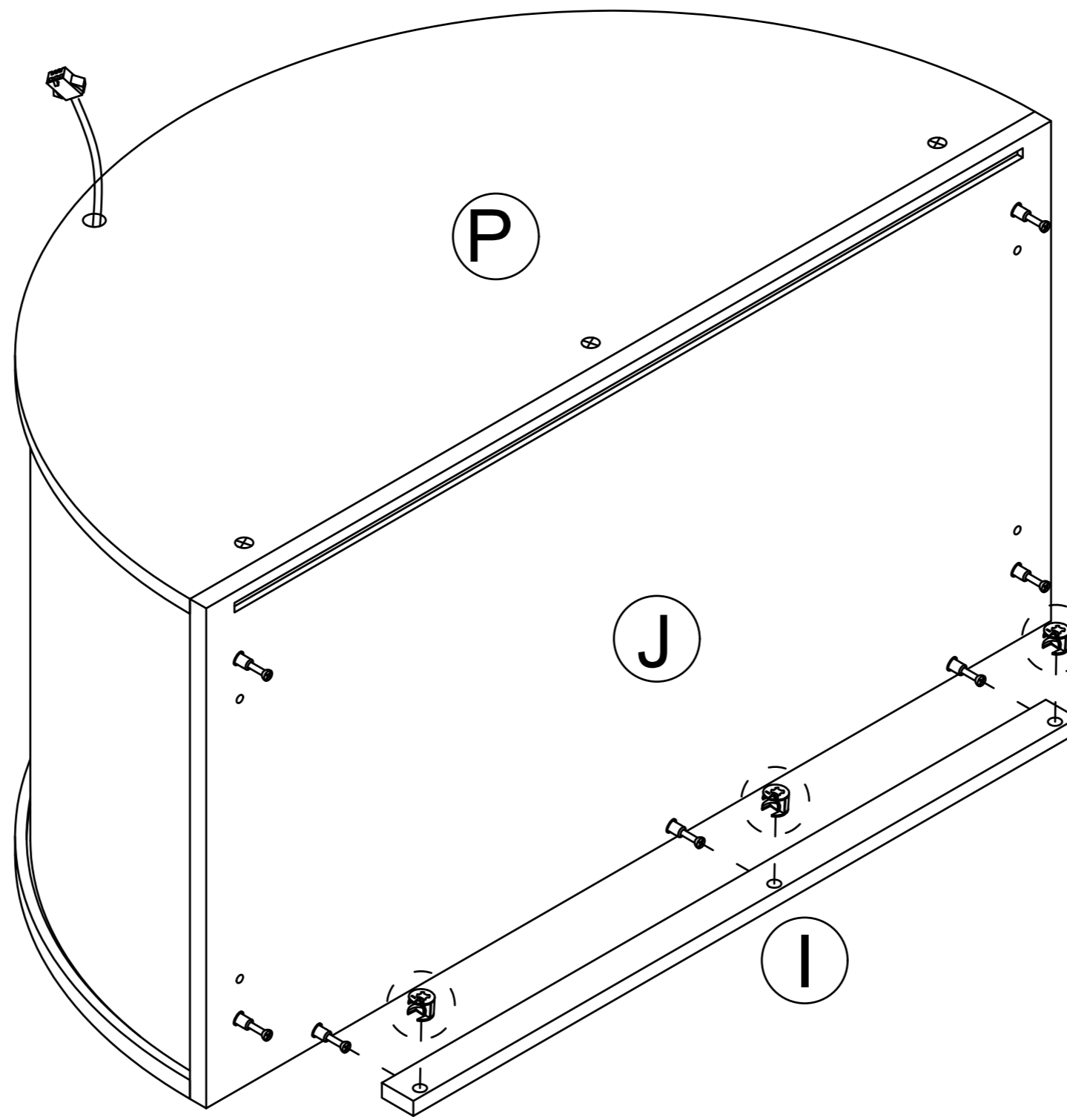
Step 24



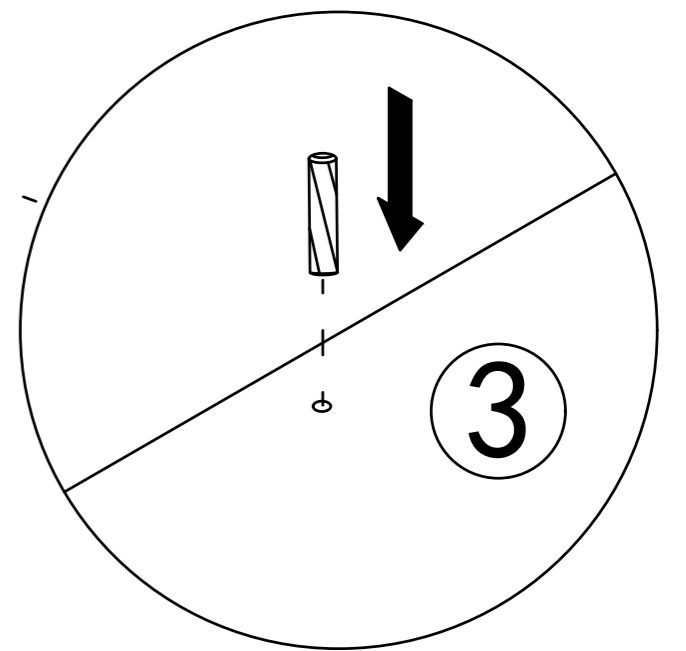
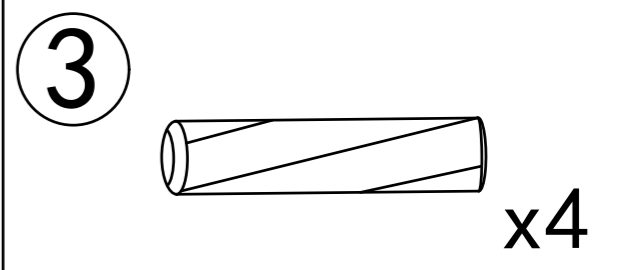
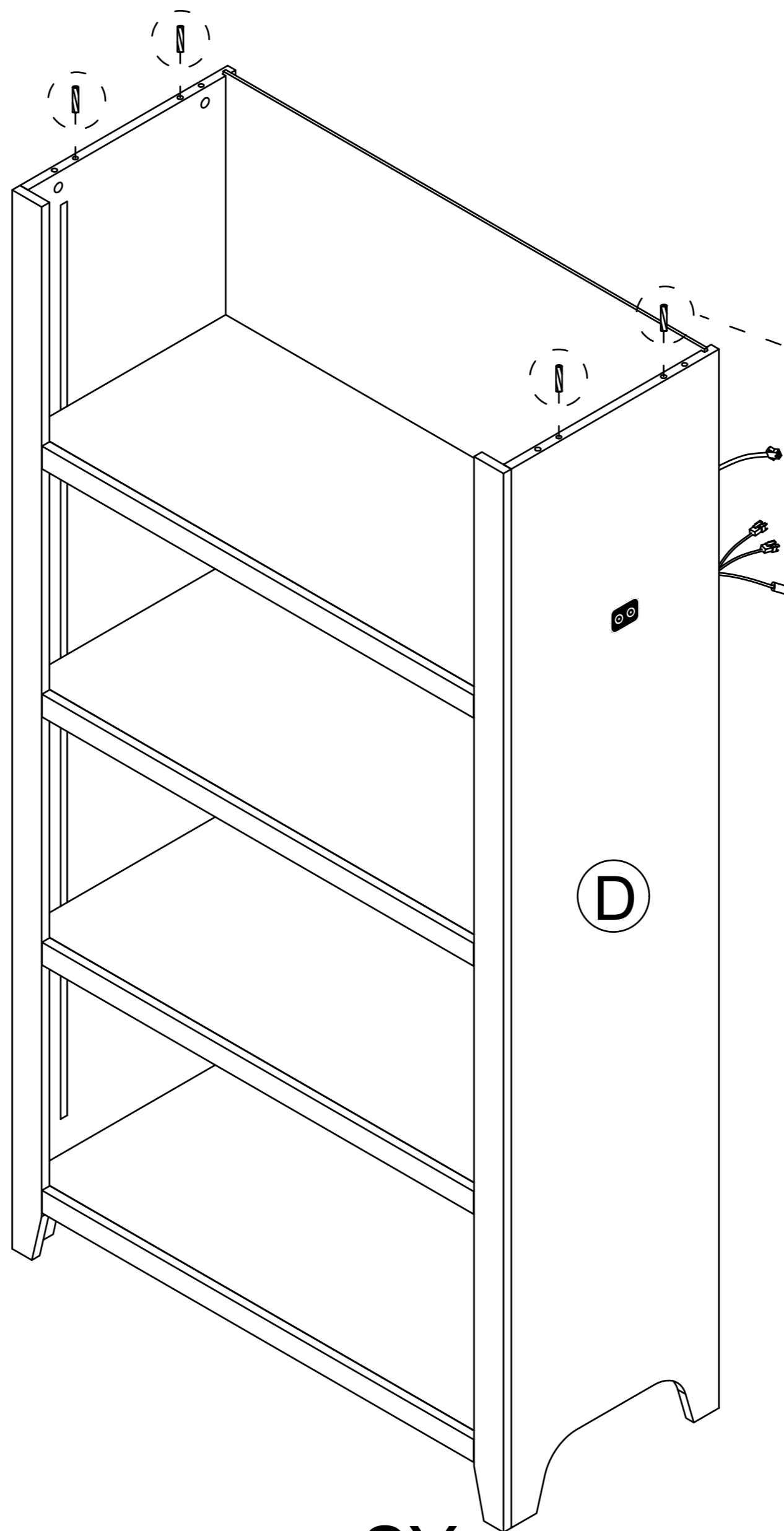
Step 25



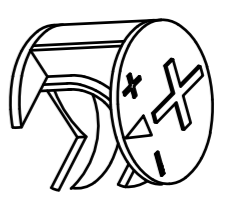
Step 26

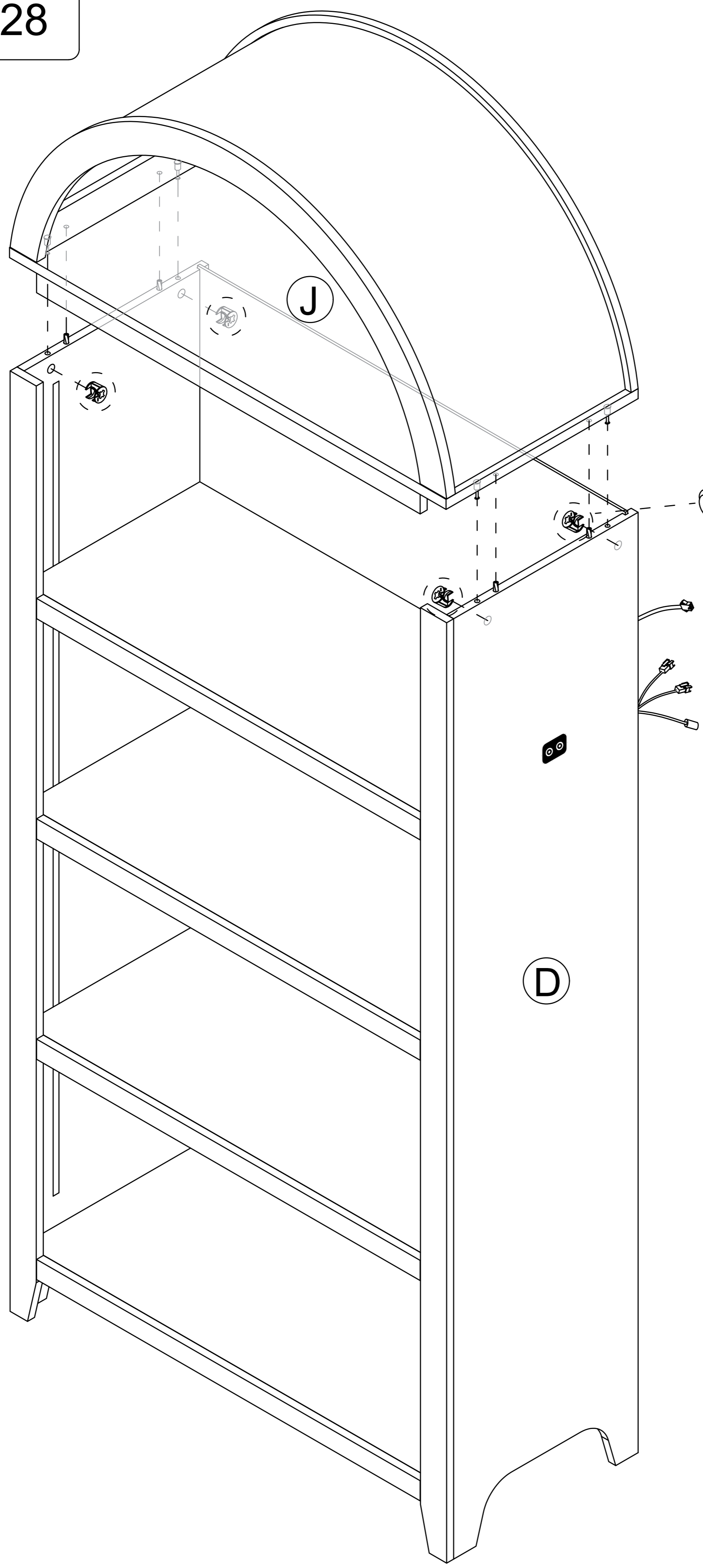


Step 27

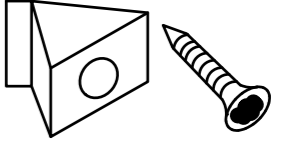


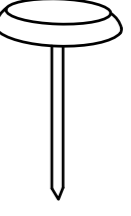
Step 28

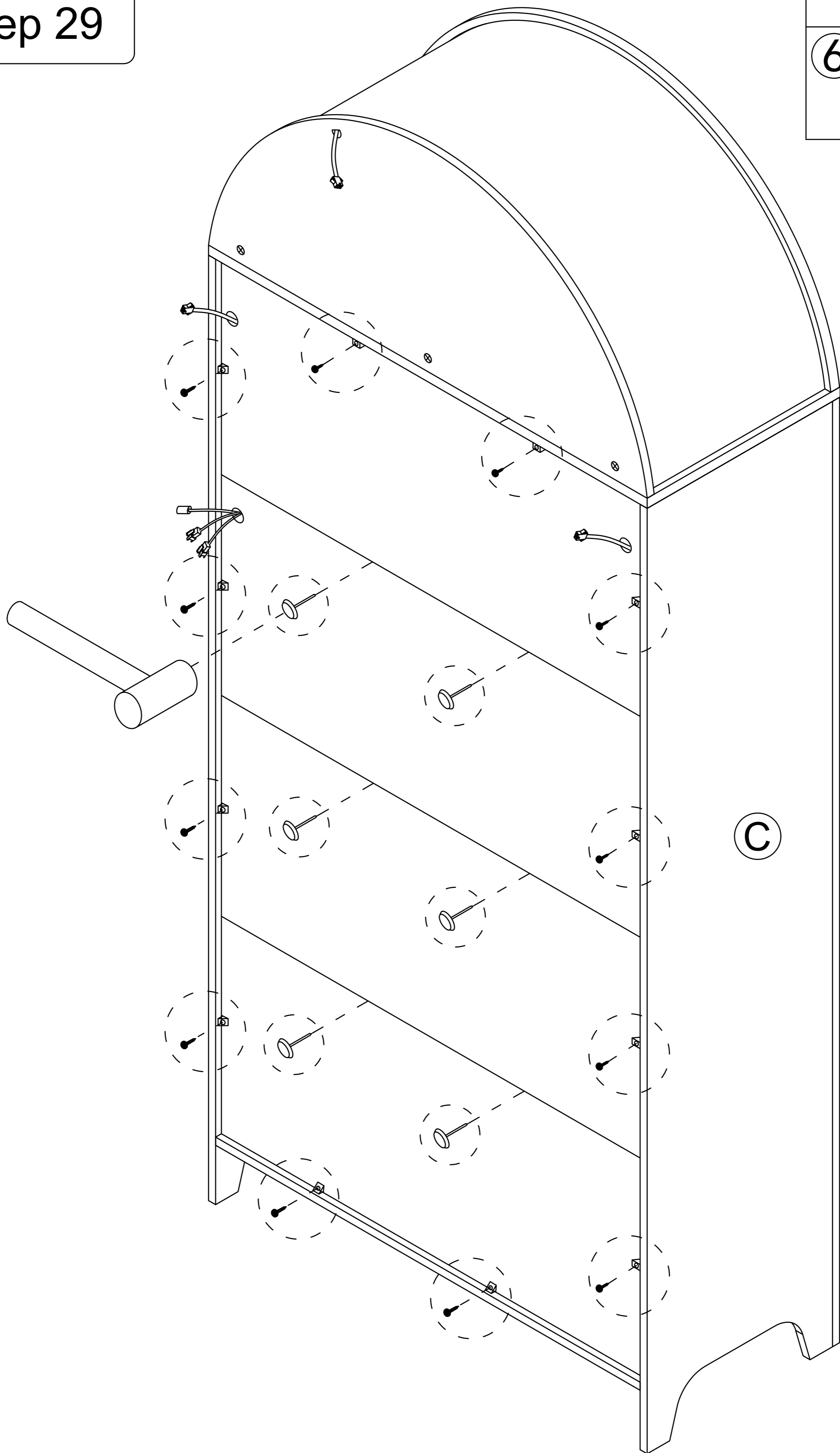
2  x4



Step 29

5  x12

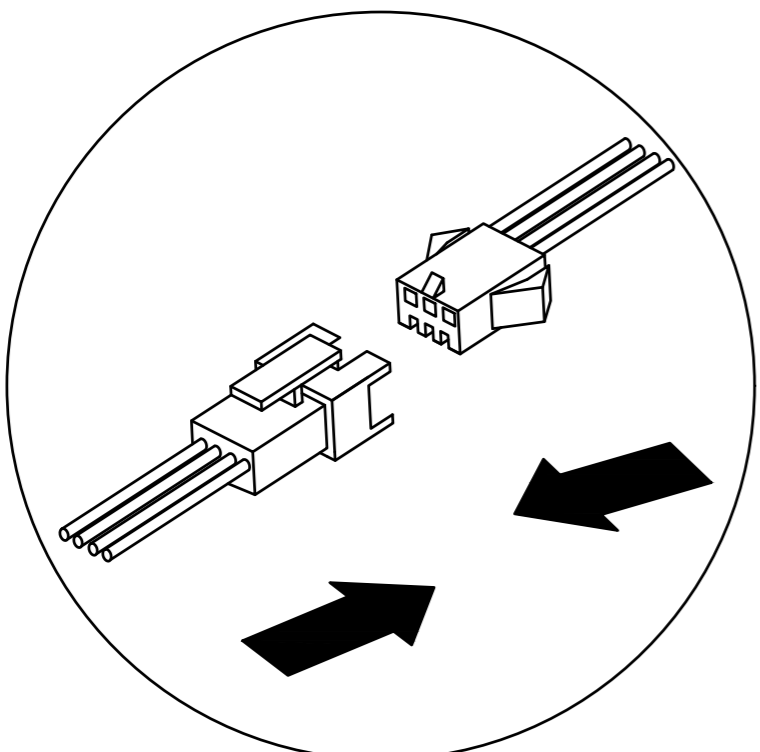
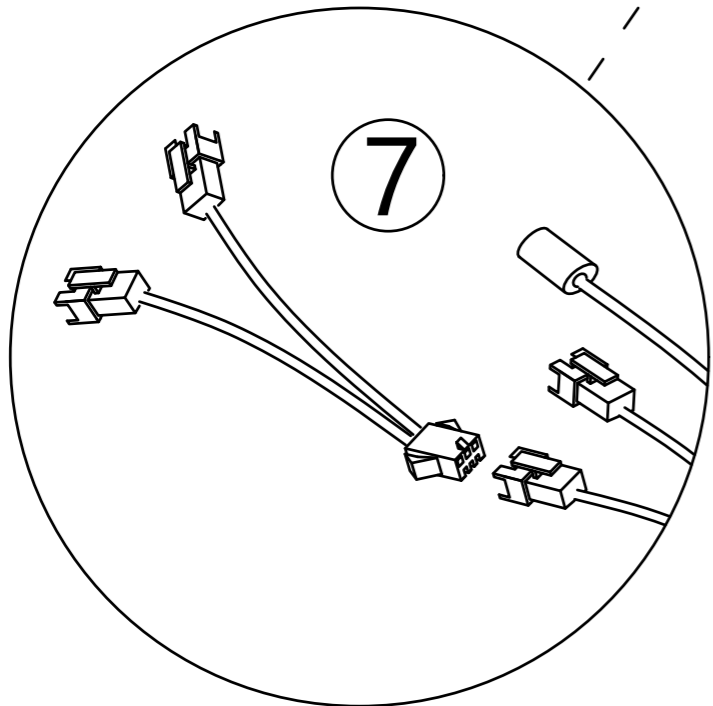
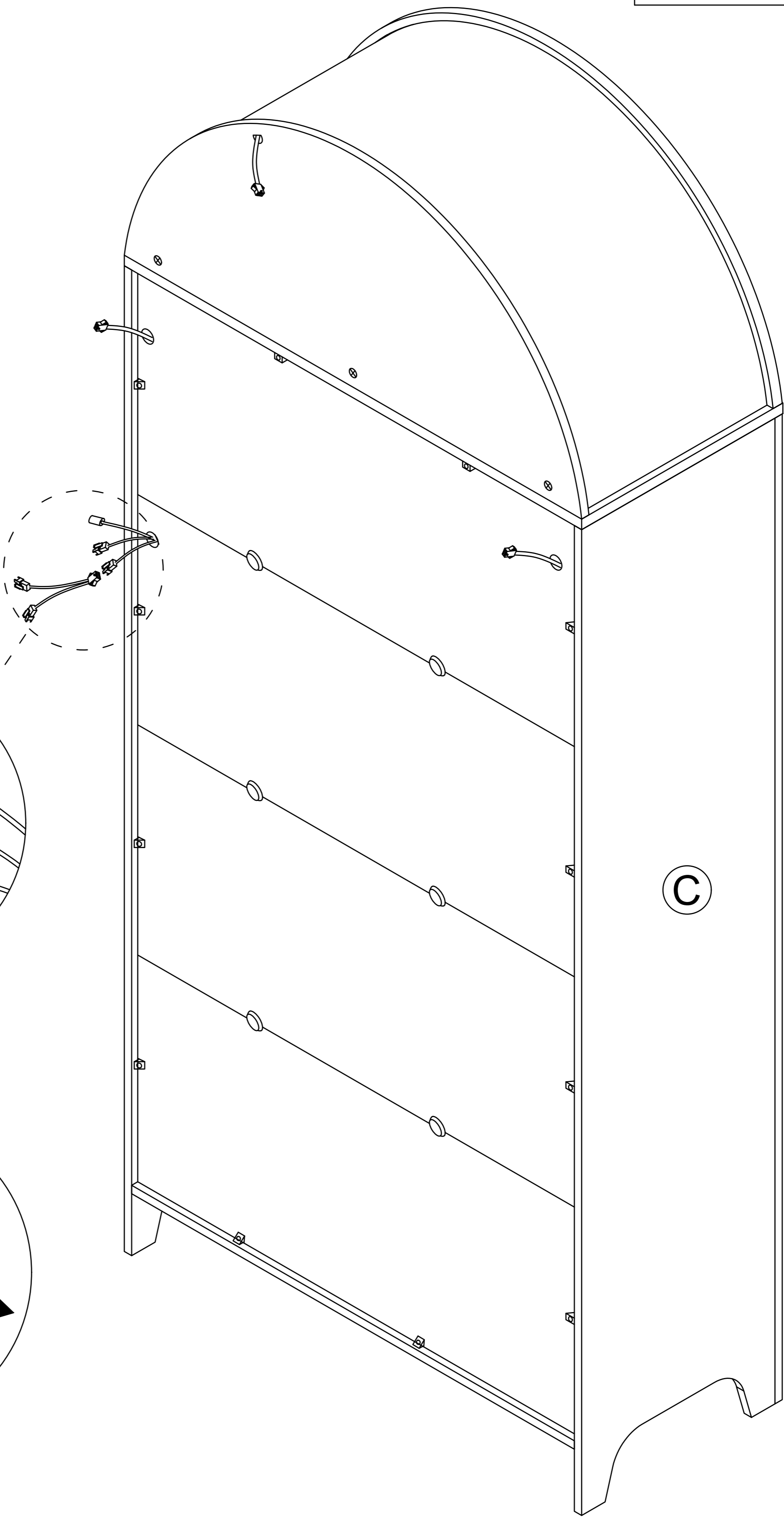
6  x6



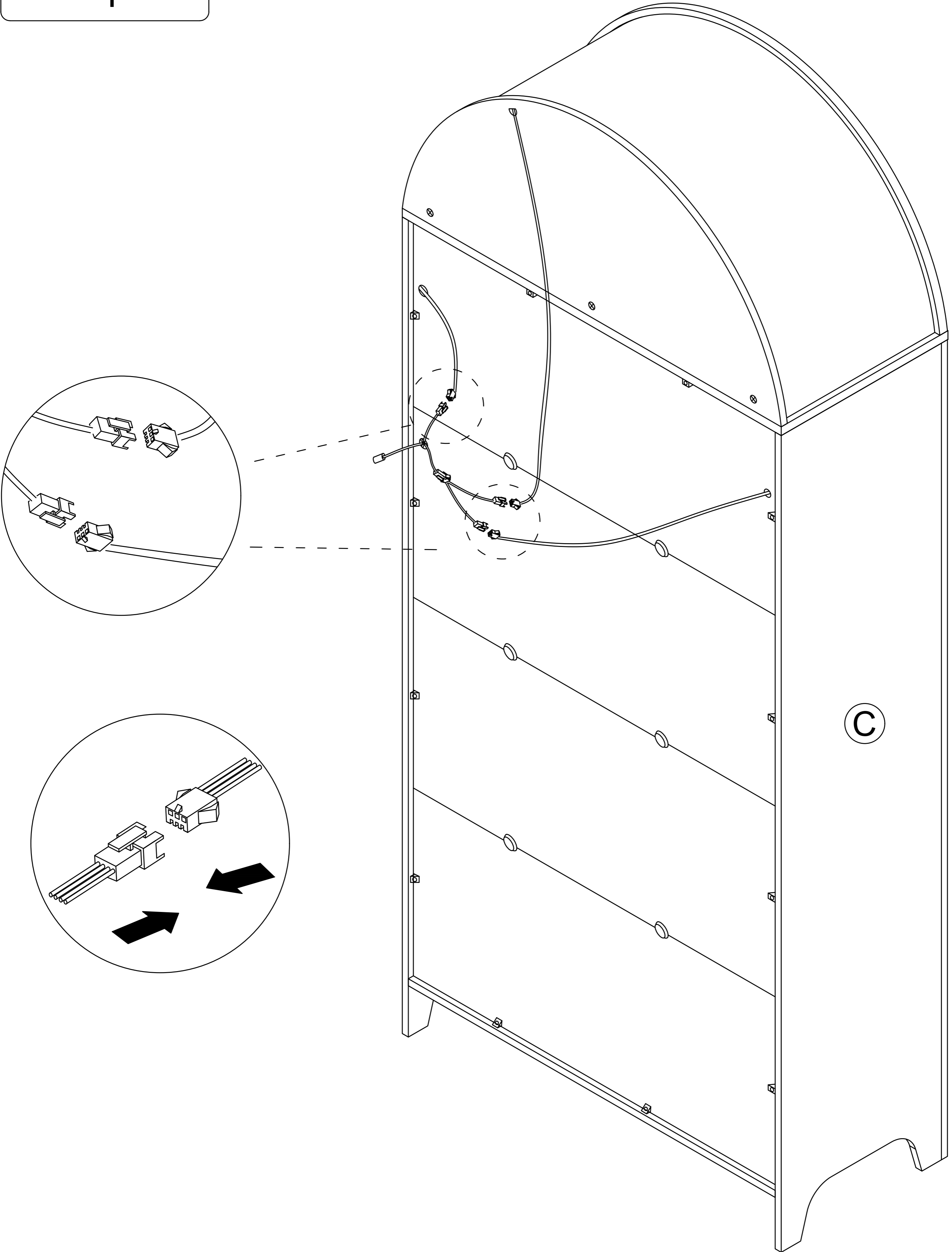
Use a hammer to drive the nail into the gap of the wooden board to fix the backboard

Step 30

7 x1

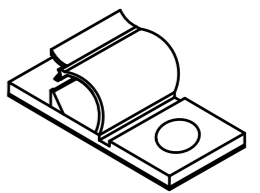


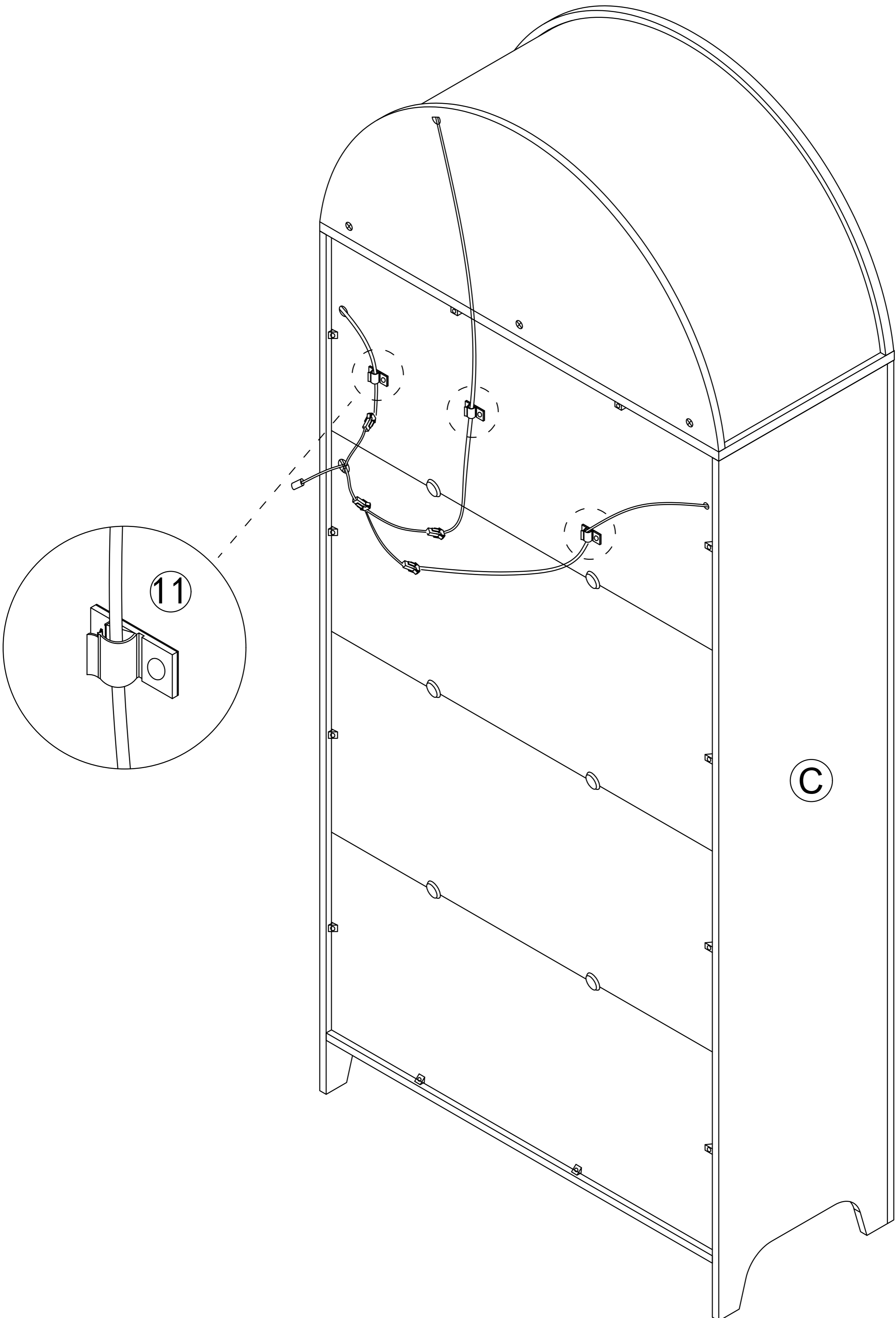
Step 31



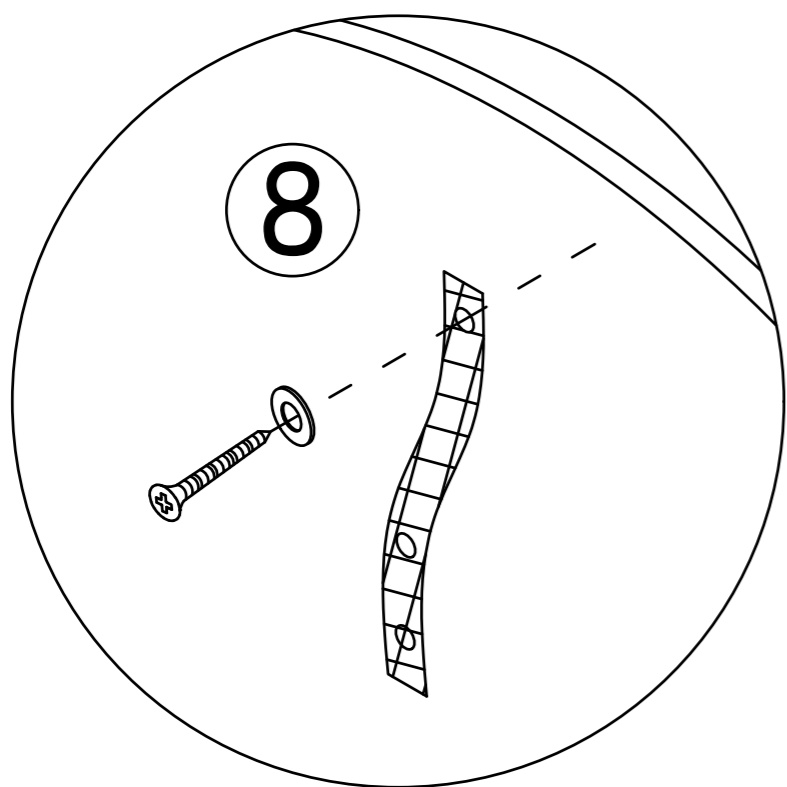
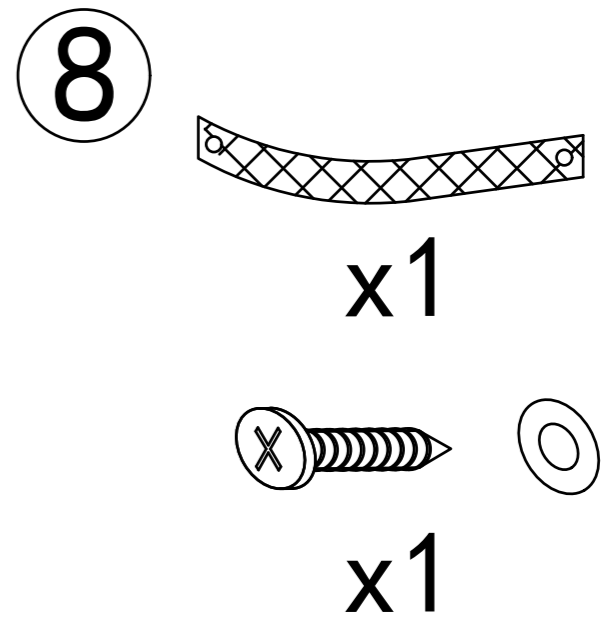
C

Step 32

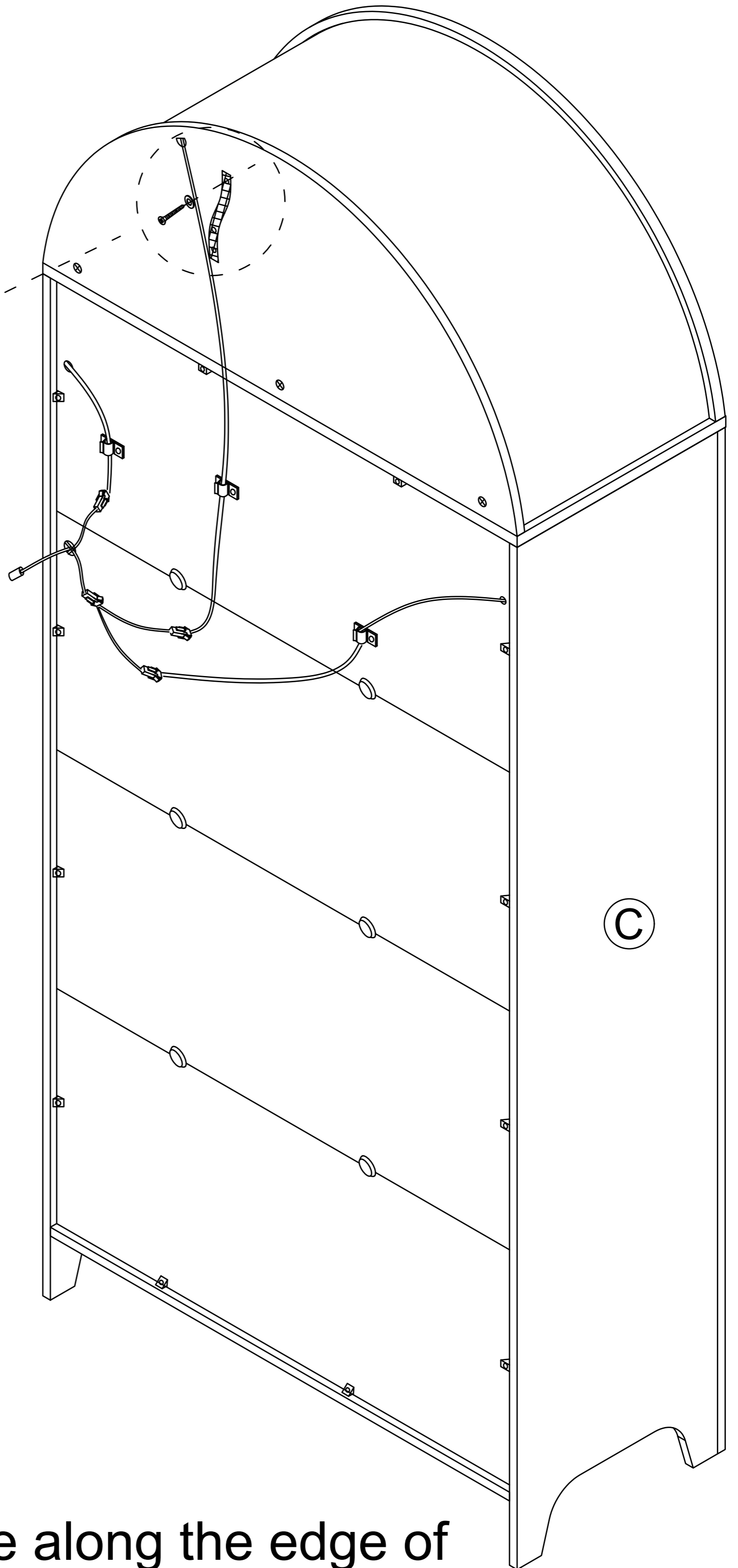
11  x5



Step 33

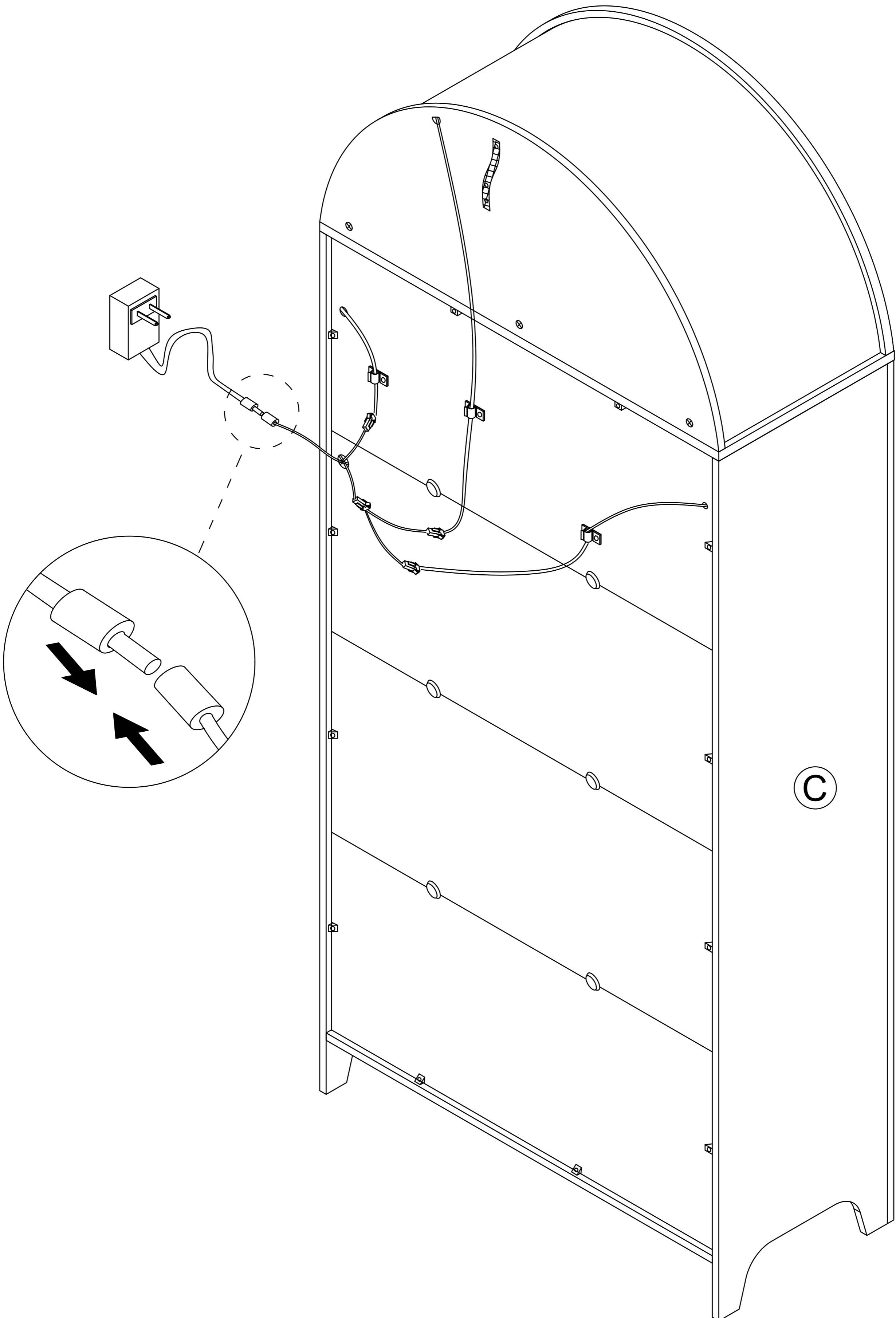


Install the anti-rewind tape onto the P board

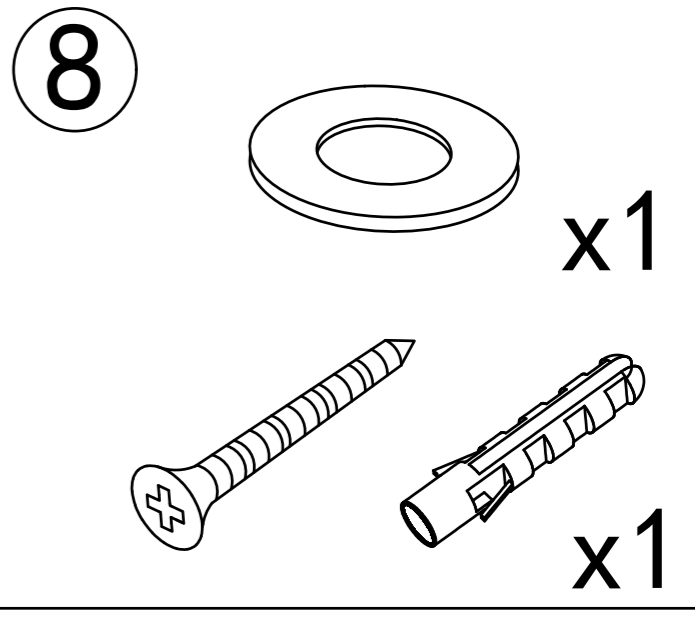


Install the anti-rewind tape along the edge of the board prevent insufficient length when connecting to the wal

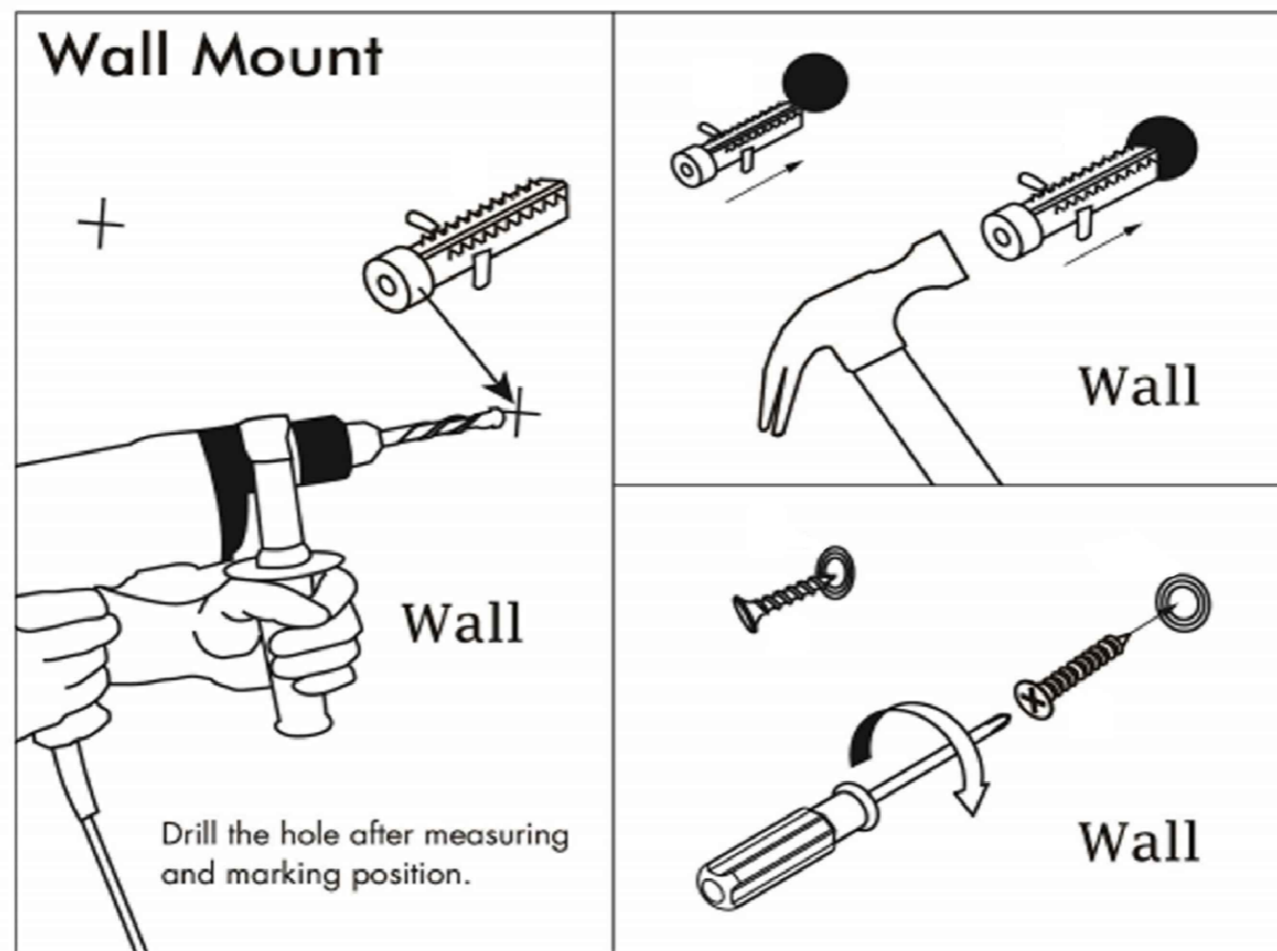
Step 34



Step 35



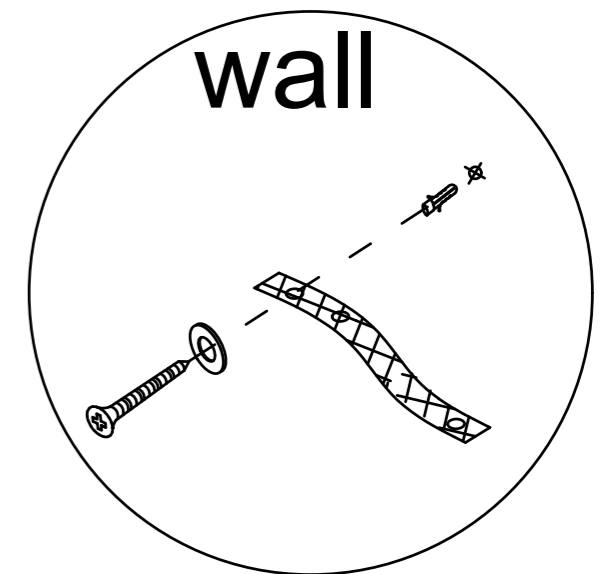
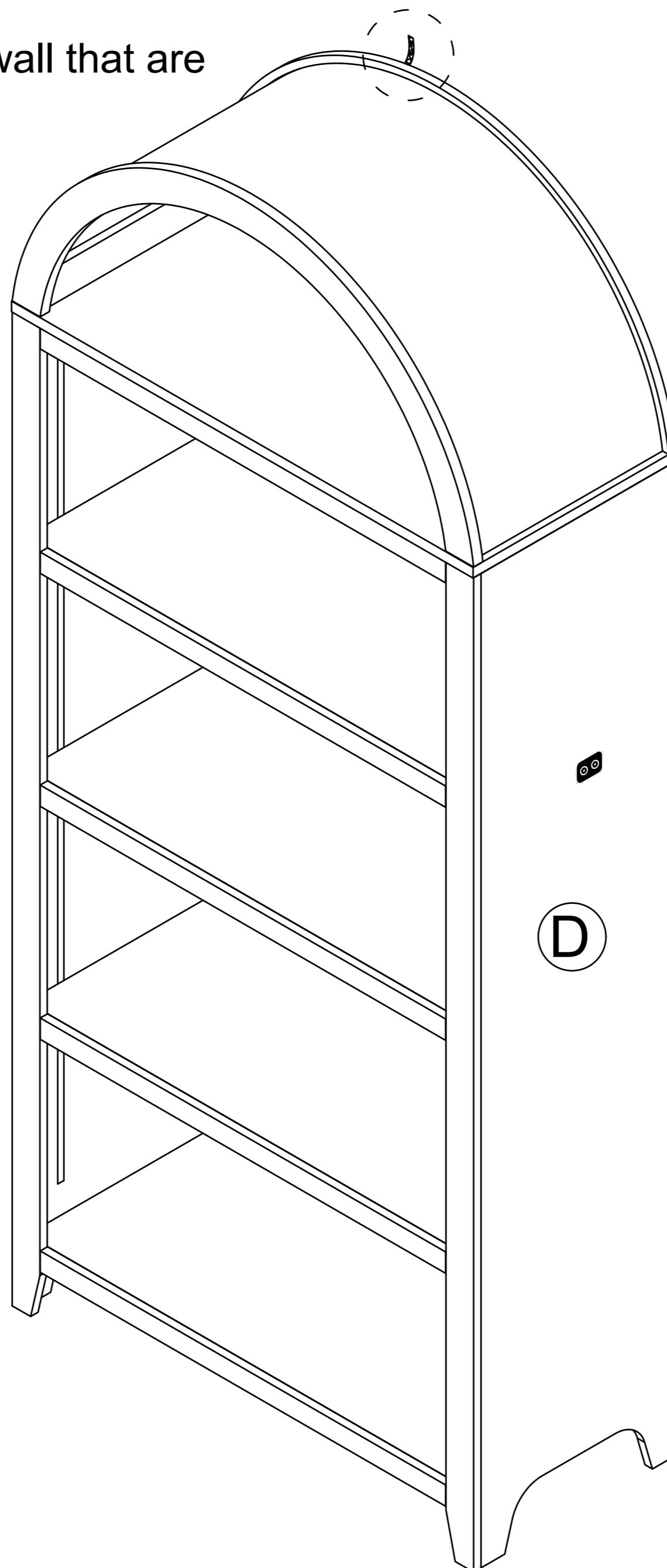
Use a ruler to measure the approximate height of the product on the wall, and then mark it with a pencil



Insert the expansion bolt into the hole

Pass the matching screws through the 'anti-rewind' and tighten them to secure the product on the wall.

Use a drill to make holes in the wall that are suitable for the product screws.



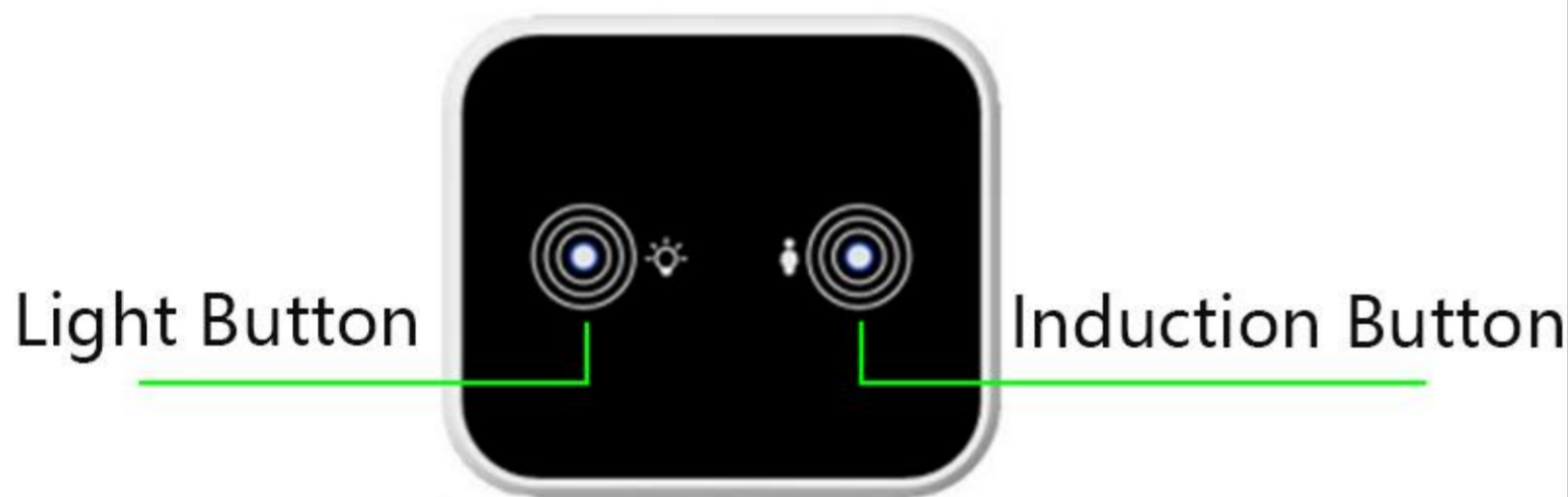
User's Guide

Thank you for purchasing this product. To use this product, please plug it into a 12V Dc power supply. Ensure the product is functioning normally after it is connected to power.

introduction

This box is an intelligent controller with two touch buttons. It can turn the light ON/OFF, change light colors, and adjust the light's luminance.

Product Show



ATTENTION PLEASE

1. If there is no touch response suddenly. Re-plug the power to reset the touch static electricity.
2. If bubbles appear on the panel, the protective film. remove

Operation



This touch button is used to turn on/off, change colors, and adjust brightness

- A. Short touch -> lighting on -> short touch -> change light color -> short touch -> change light color -> short touch -> change light color -> short touch -> lighting off.
- B. Long touch -> adjust the luminance



Touch Button Functionality

- A.Short Touch: This activates the induction function. The light will automatically turn on when a person is within 1 meter of the controller. The light will automatically turn off after 30 seconds when the person moves away from the controller.
- B. Long Touch: This deactivates the induction function.
- C. Note: When you touch the light button to change the light modes, the induction function will be automatically turned off. It is recommended to activate the induction function only after selecting your desired light color and adjusting the brightness.