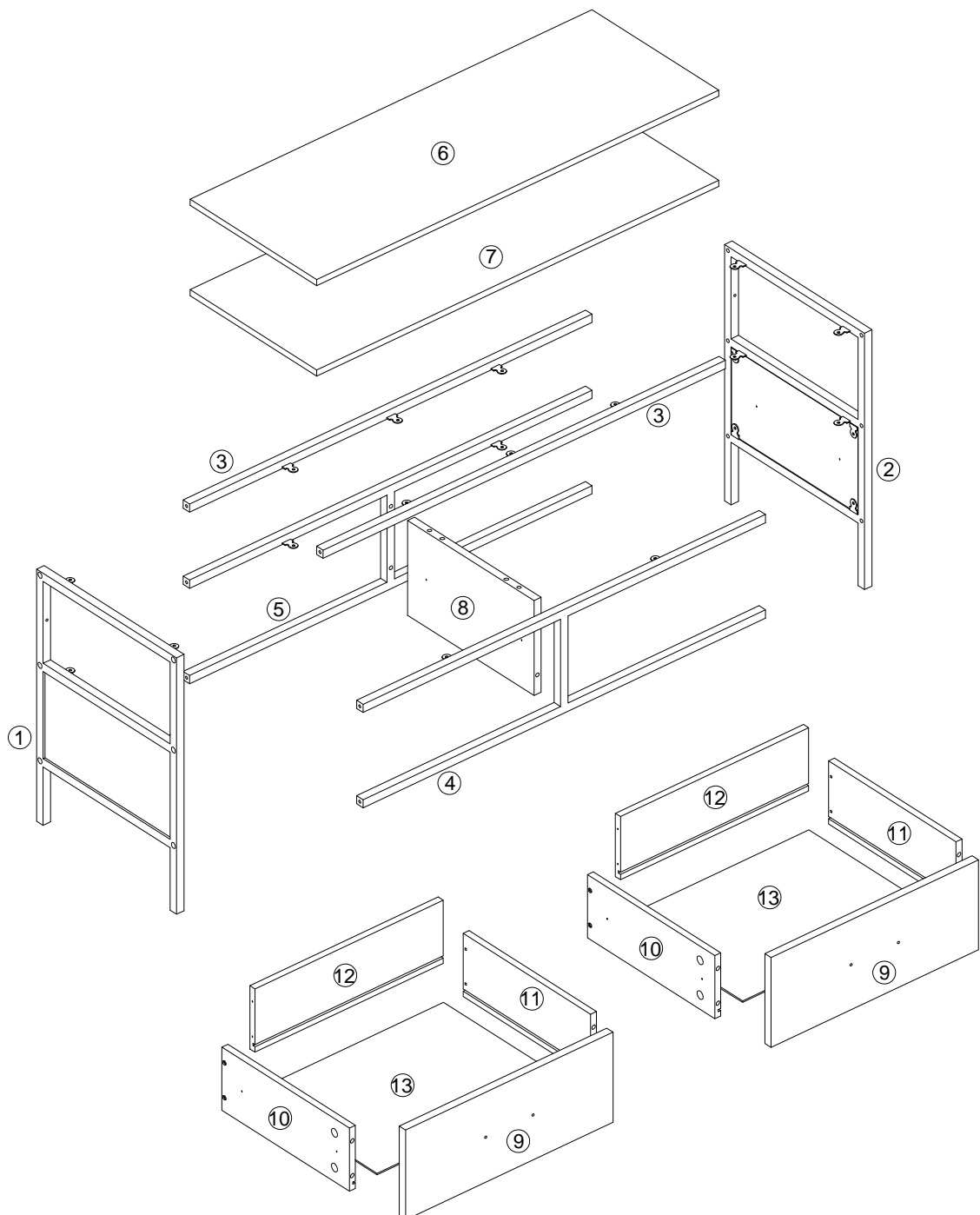
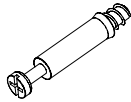
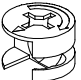
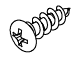
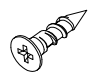



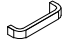

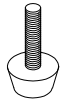
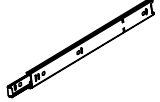
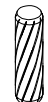
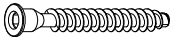



03/06/2021

			✓
①	1	500x350x42/16	
②	1	500x350x42/16	
③	2	868x16x42/16	
④	1	868x202x42/16	
⑤	1	868x202x42/16	
⑥	1	866x316x12	
⑦	1	866x316x12	



			✓
⑧	1	316x185x15	
⑨	2	421x165x15	
⑩	2	300x116x12	
⑪	2	300x116x12	
⑫	2	382x116x12	
⑬	2	391x297x2.75	

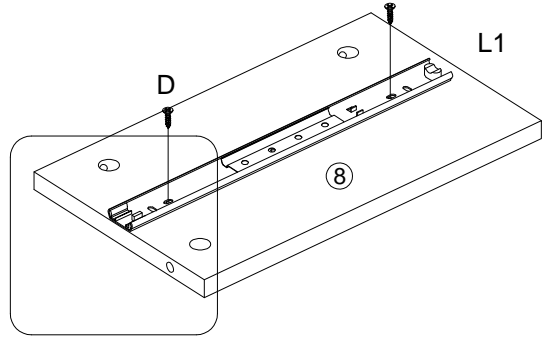
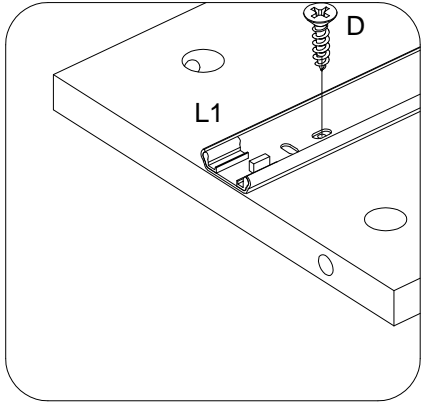
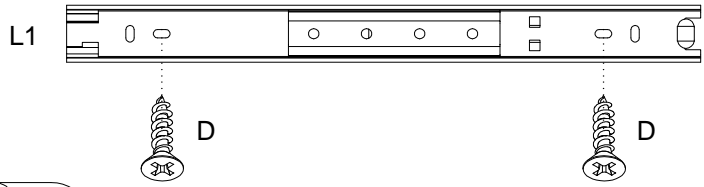
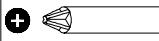


<p>A x 11</p>  <p>6.3×35mm</p>	<p>B x 11</p>  <p>Ø15×10mm</p>	<p>C x 18</p>  <p>4×12mm</p>	<p>D x 16</p>  <p>3.5×12mm</p>
<p>E x 8</p>  <p>4×35mm</p>	<p>F x 12</p>  <p>M6×15mm</p>	<p>G x 4</p>  <p>4×20mm</p>	<p>H x 2</p>  <p>L117mm</p>
<p>J x 1</p>  <p>4mm</p>	<p>K x 1</p>  <p>Ø16mm</p>	<p>L x 4</p>  <p>L300mm</p>	<p>M x 2</p>  <p>Ø8×30mm</p>
<p>N x 2</p>  <p>7×38mm</p>	<p>P x 8</p>  <p>Ø20mm</p>		





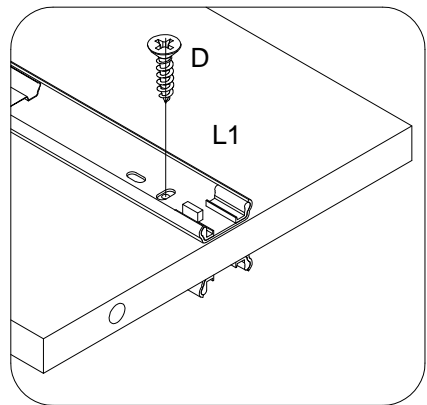
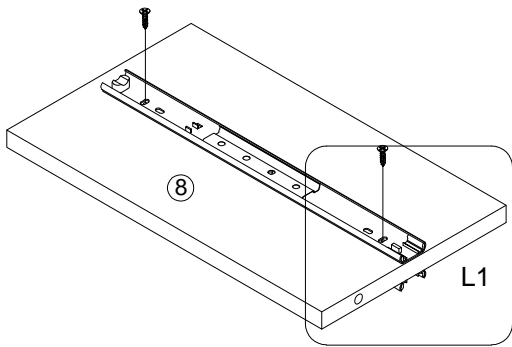
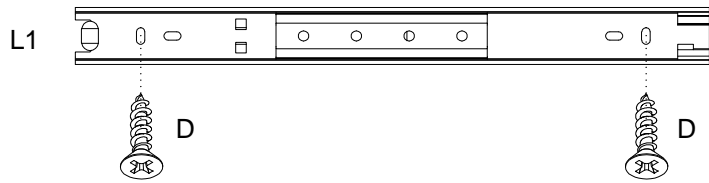
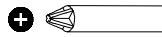
# 3

D x 2	L1 x 1
	
3.5x12mm	L300mm


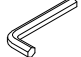


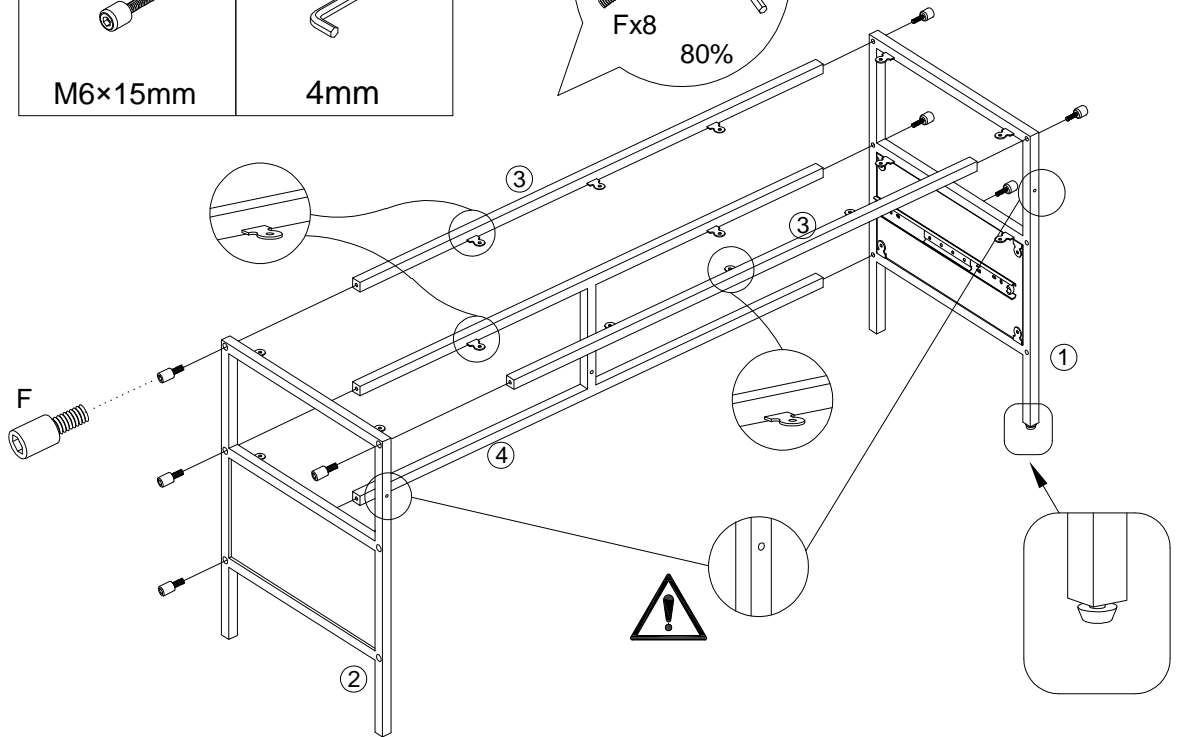
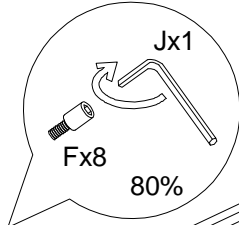
# 4

D x 2	L1 x 1
	
3.5x12mm	L300mm

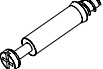


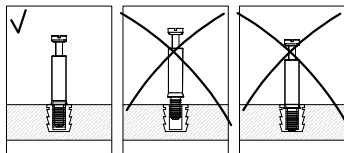
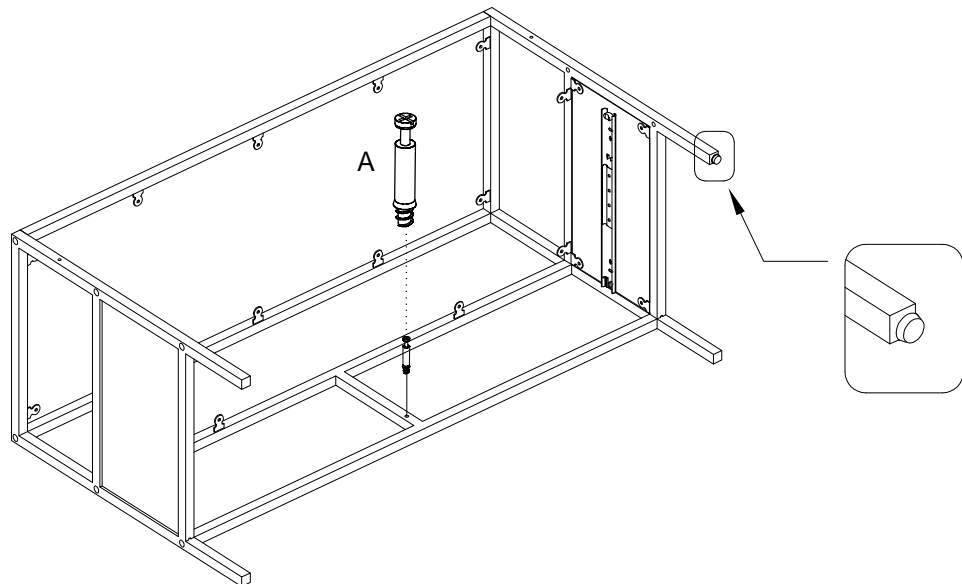
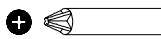
# 5

F x 8  M6x15mm	J x 1  4mm
---	---

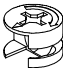



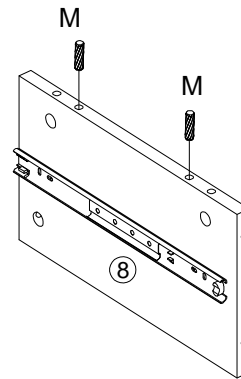
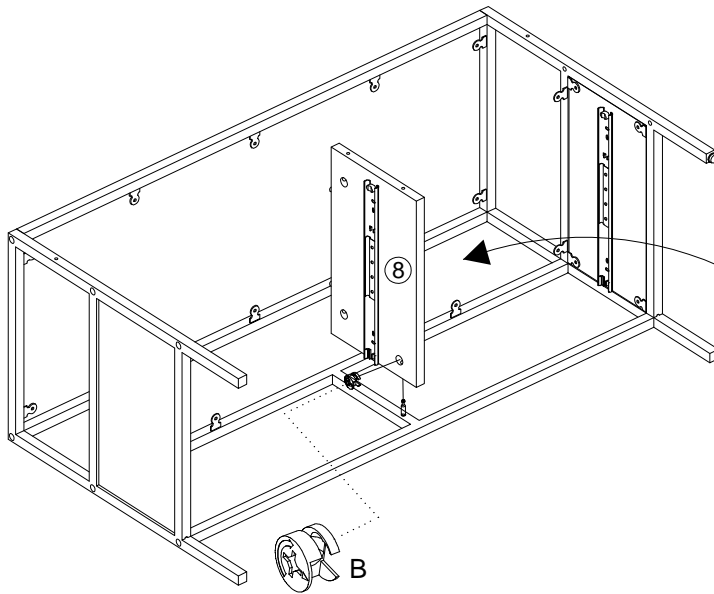
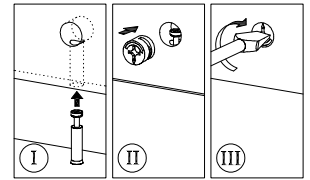
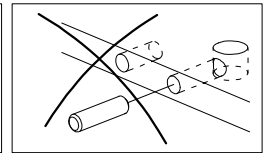
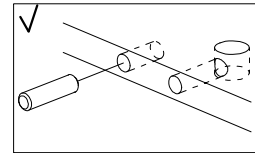
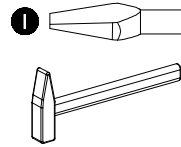
# 6

A x 1  6.3x35mm
--


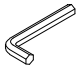



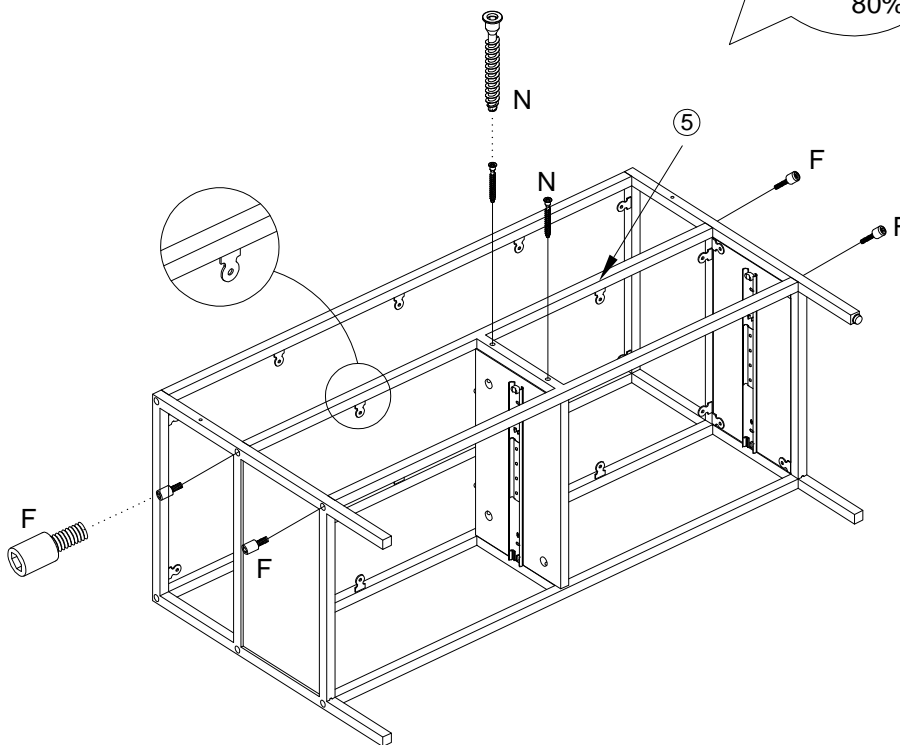
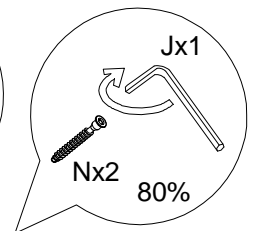
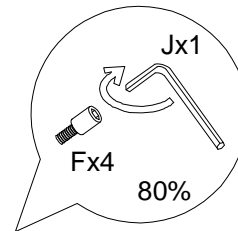
# 7

<b>B x 1</b>  <b>Ø15×10mm</b>	<b>M x 2</b>  <b>Ø8×30mm</b>
--	---

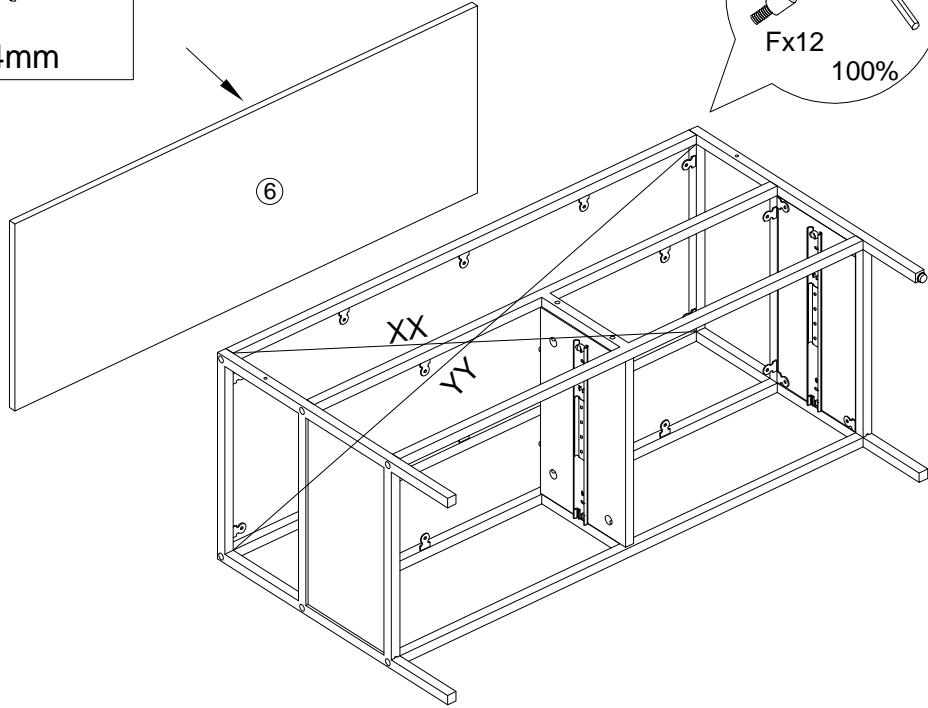
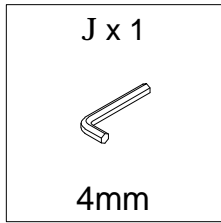


# 8

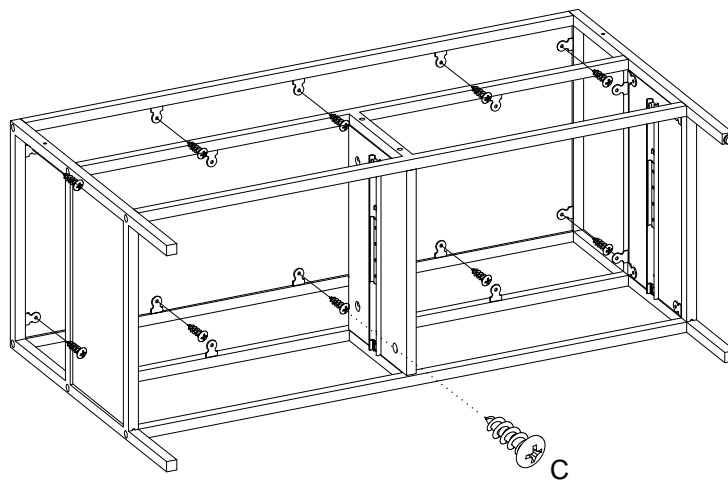
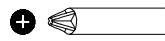
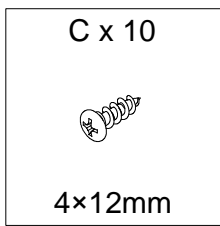
<b>F x 4</b>  <b>M6×15mm</b>	<b>J x 1</b>  <b>4mm</b>	<b>N x 2</b>  <b>7×38mm</b>
---	---	--



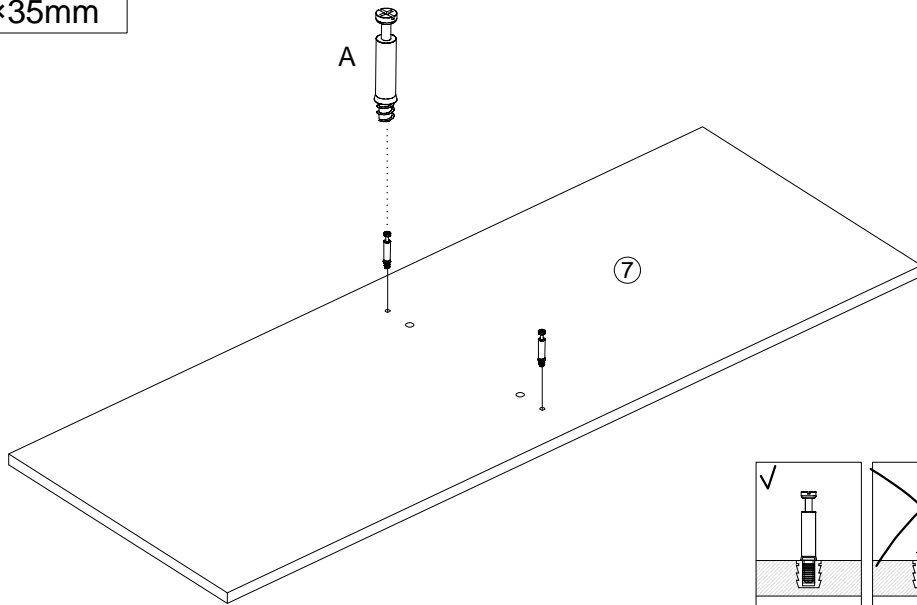
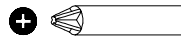
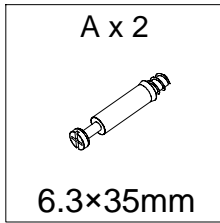
9



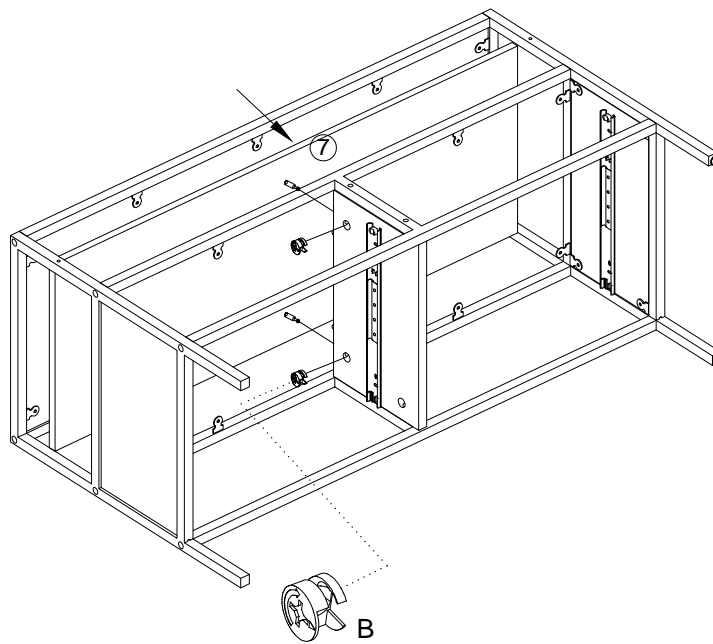
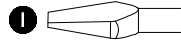
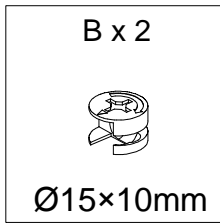
10



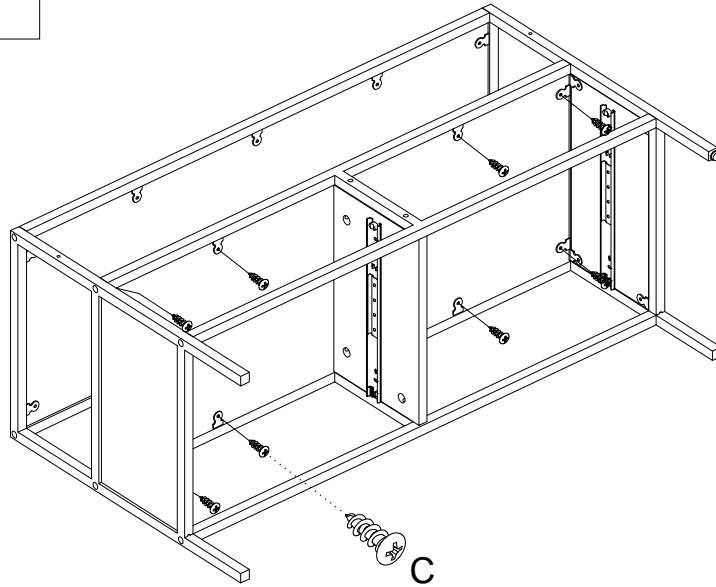
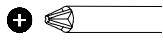
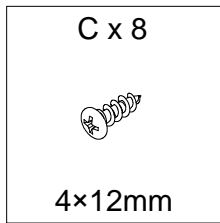
# 11



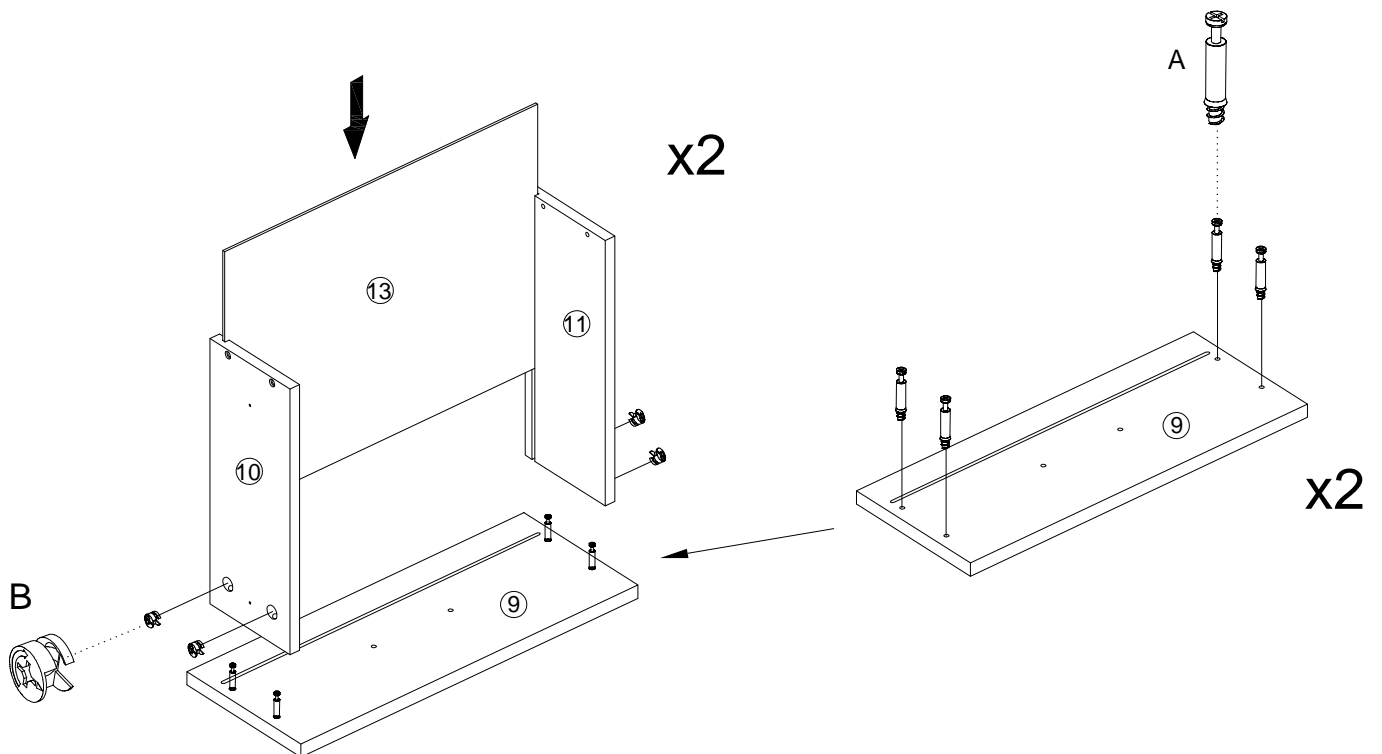
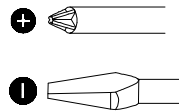
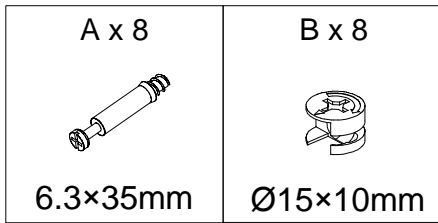
# 12





# 13

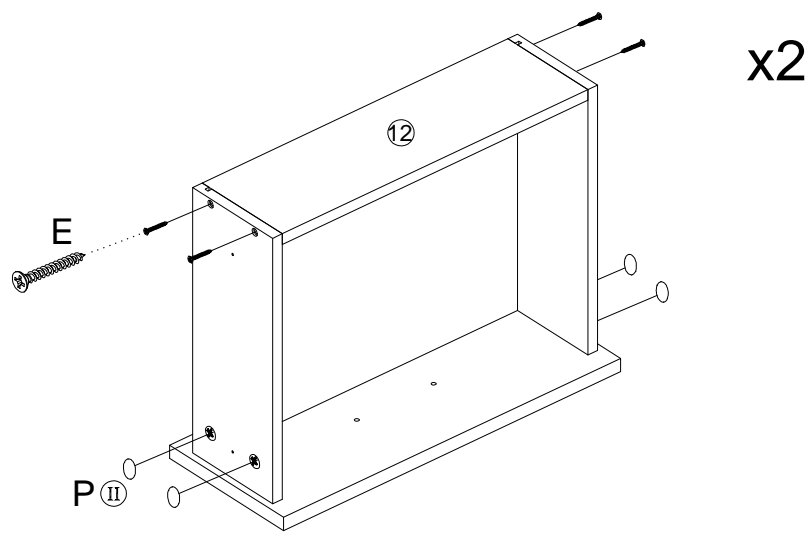
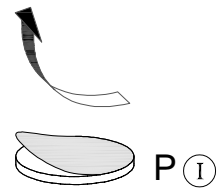


# 14





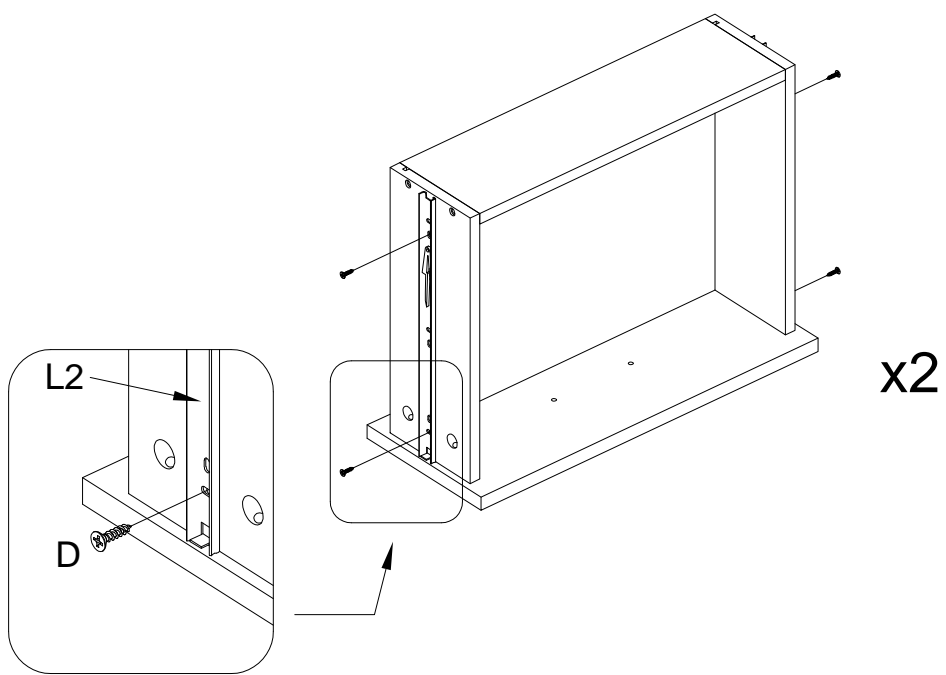
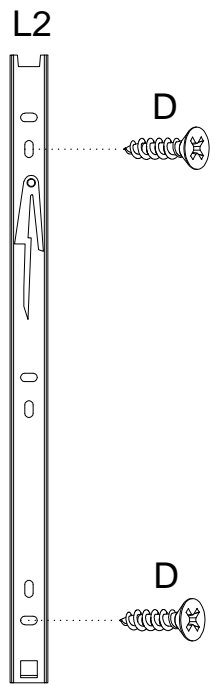
# 15

E x 8	P x 8
	
4x35mm	Ø20mm


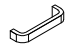


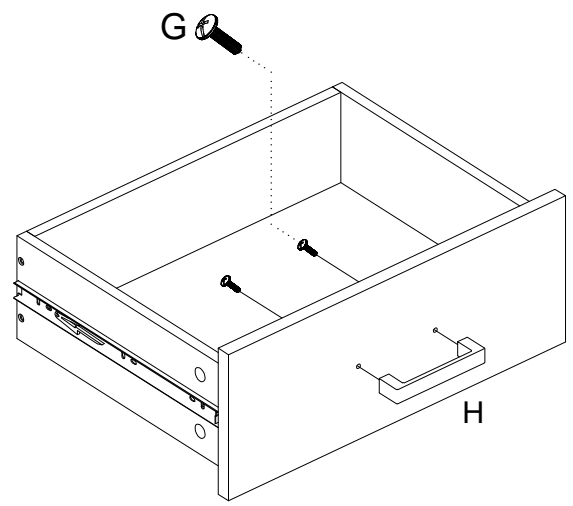
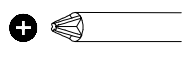
# 16

D x 8	L2 x 4
	
3.5x12mm	L300mm



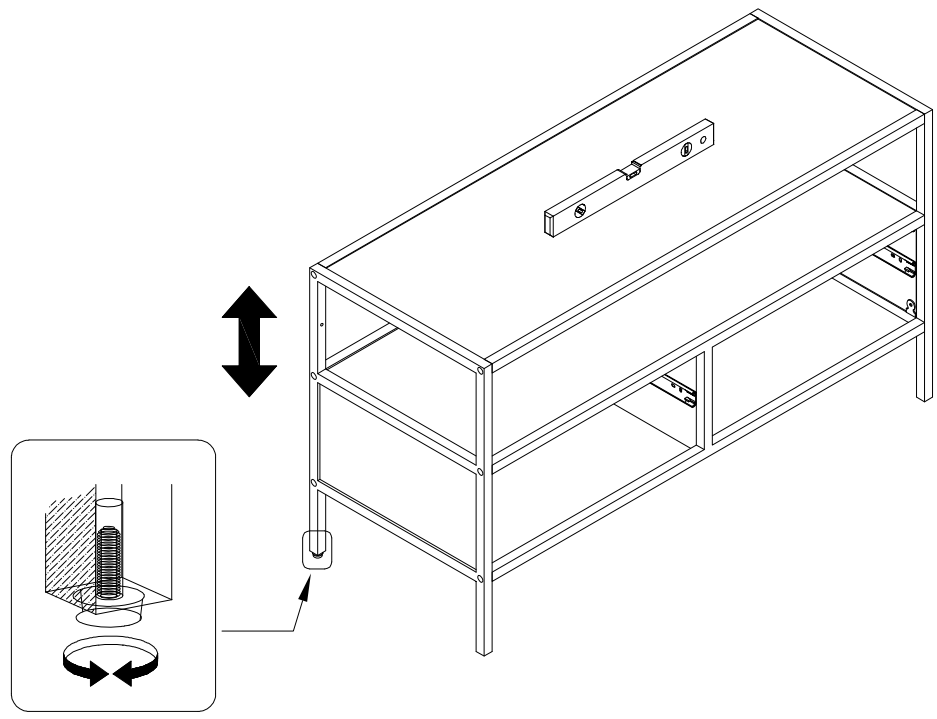
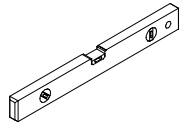
# 17

G x 4	H x 2
	
4x20mm	L117mm

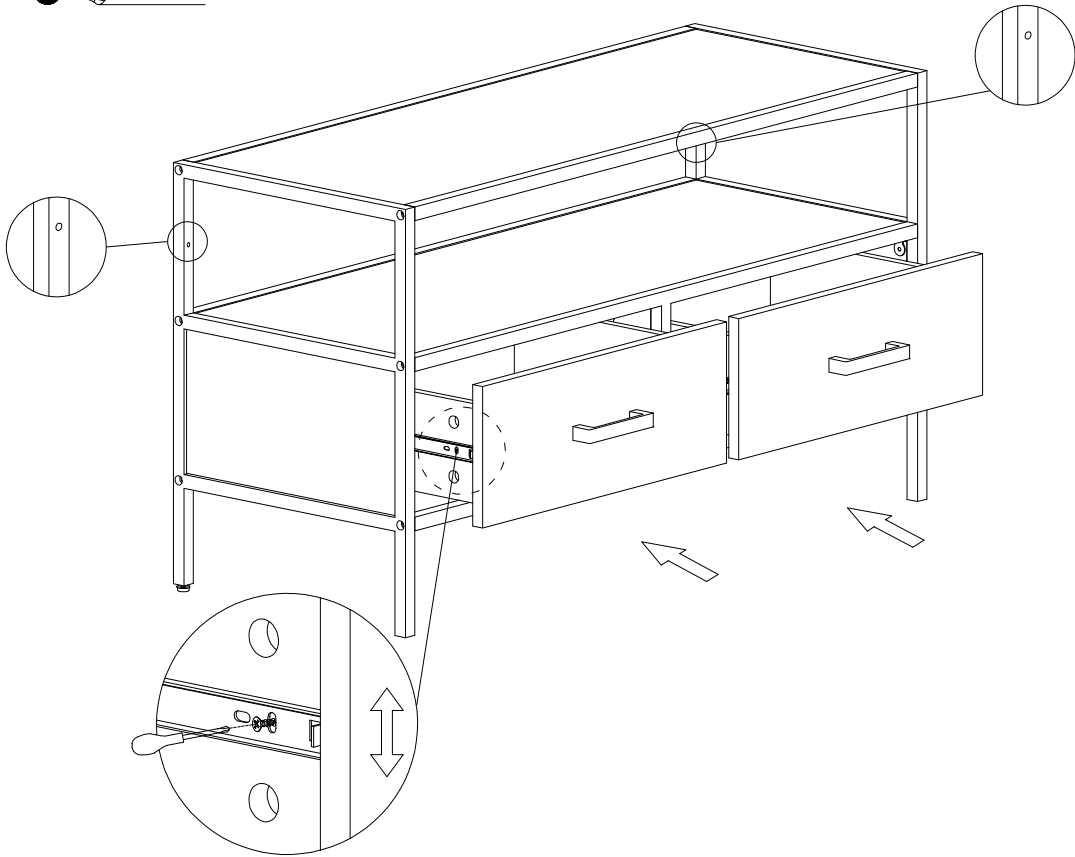
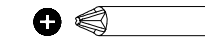


x2

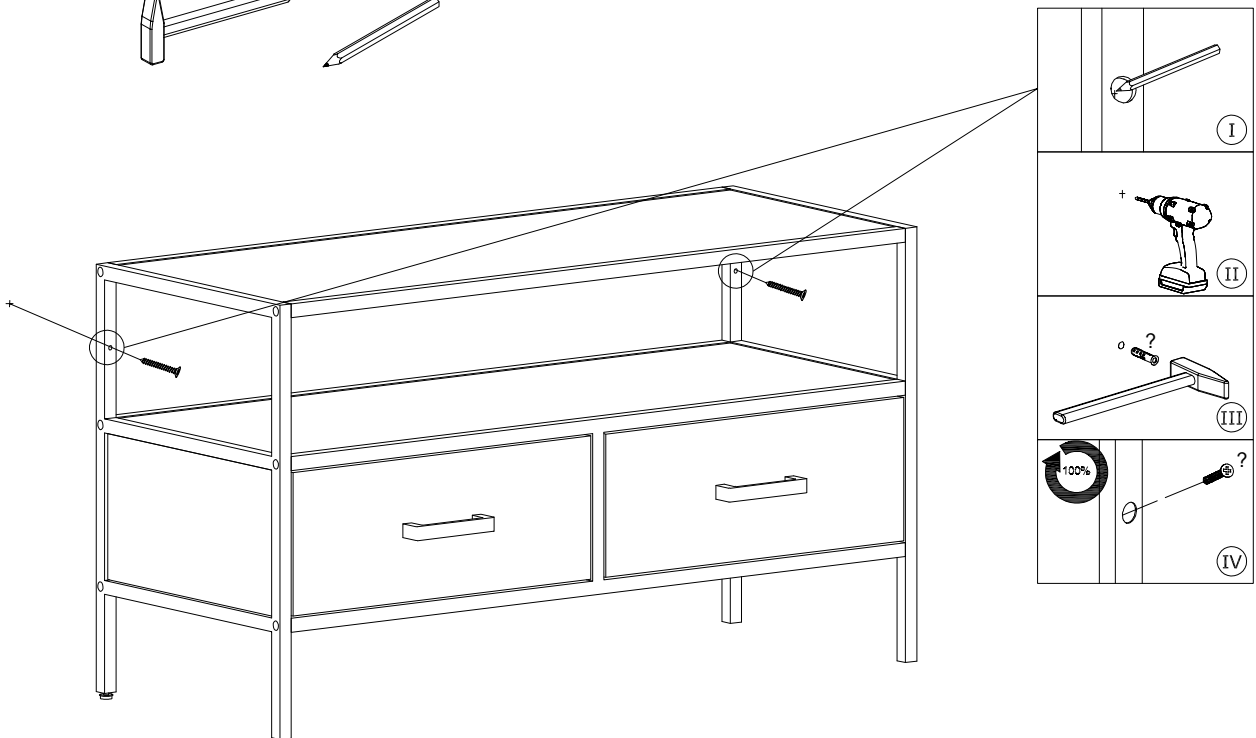
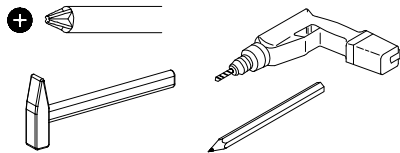
# 18



# 19



# 20



21

