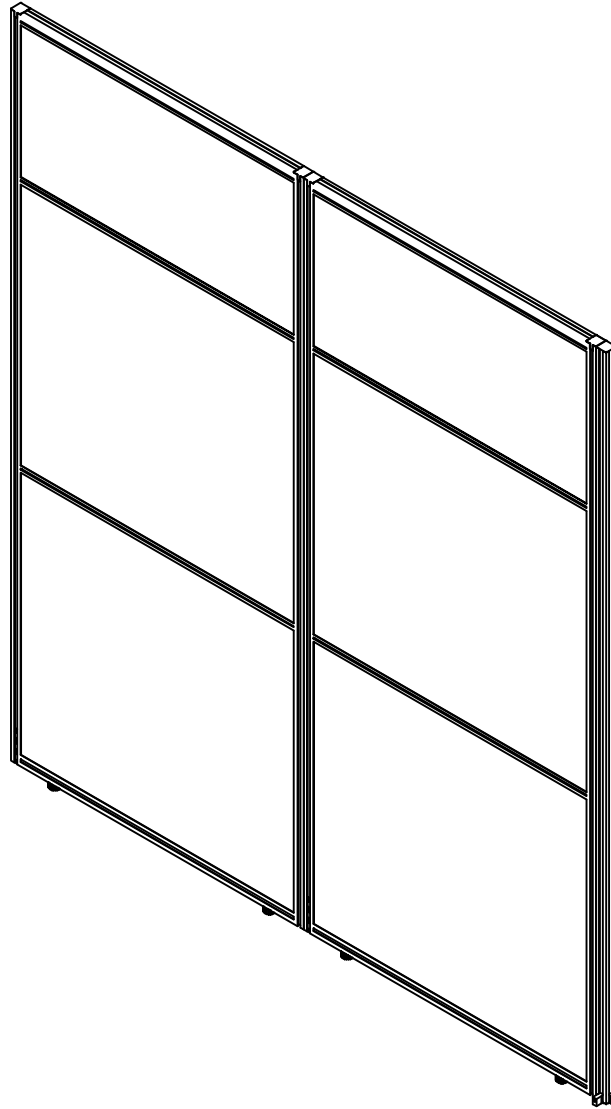


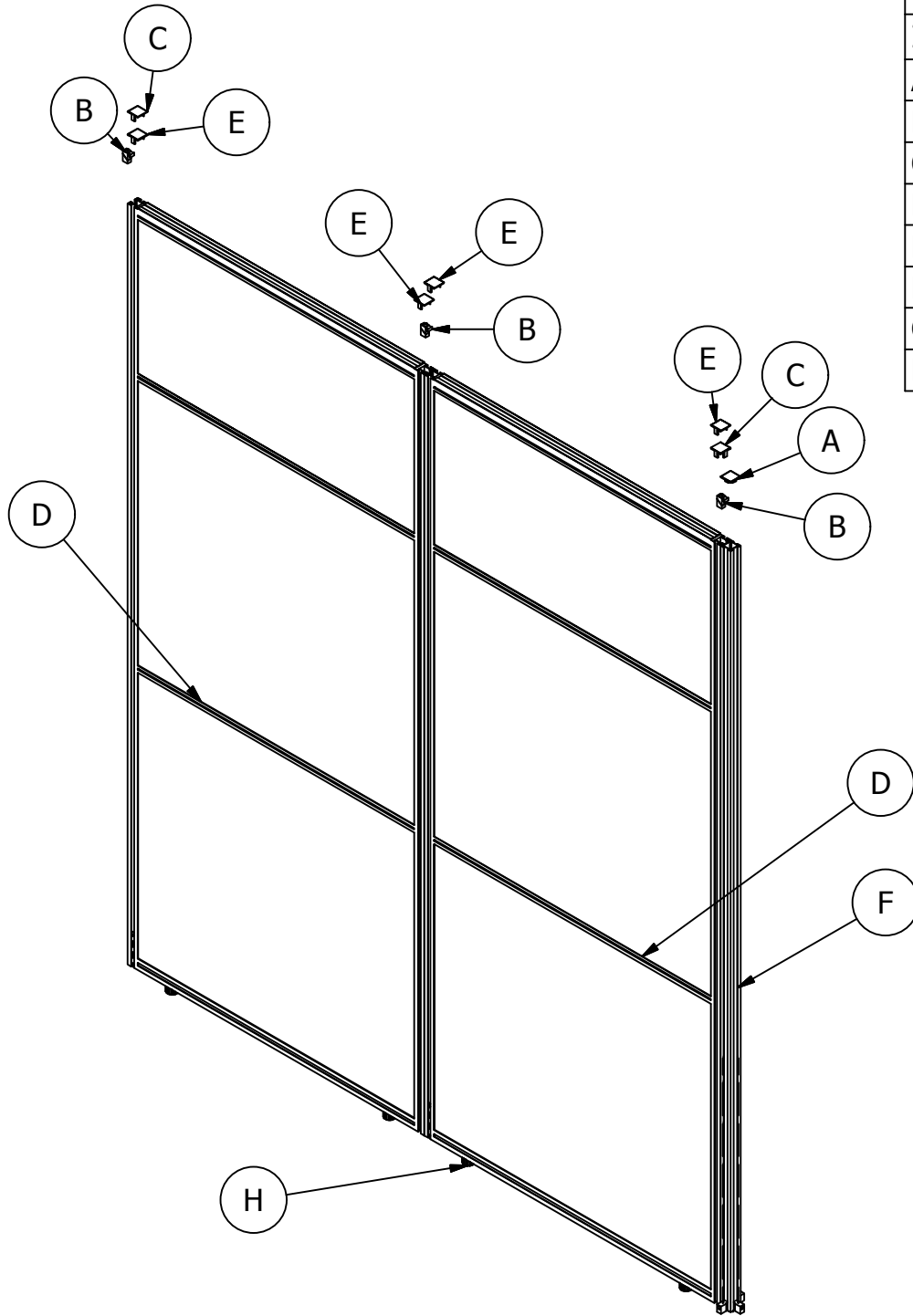
# EOP260GR

BOX E: 60W X 66H PANEL WITH CORNER  
CONNECTOR



**NEED HELP?**  
Call 1-800-950-4782  
[www.bushfurniture.com](http://www.bushfurniture.com)

Lot Code #



Parts List			
ITEM	PART NUMBER	TITLE	QTY
A	H181335	Corner Post Cap	1
B	H181331	Top Connector	3
C	H181326	Panel Cap 3 Pin	2
D	S188975	Wall Panel	2
E	H181334	Panel Cap 2 Pin	4
F	H188974	Corner Post	1
G	A180134	BBF 10 Year Warranty Sheet	1
H	H181327	Leveler	4