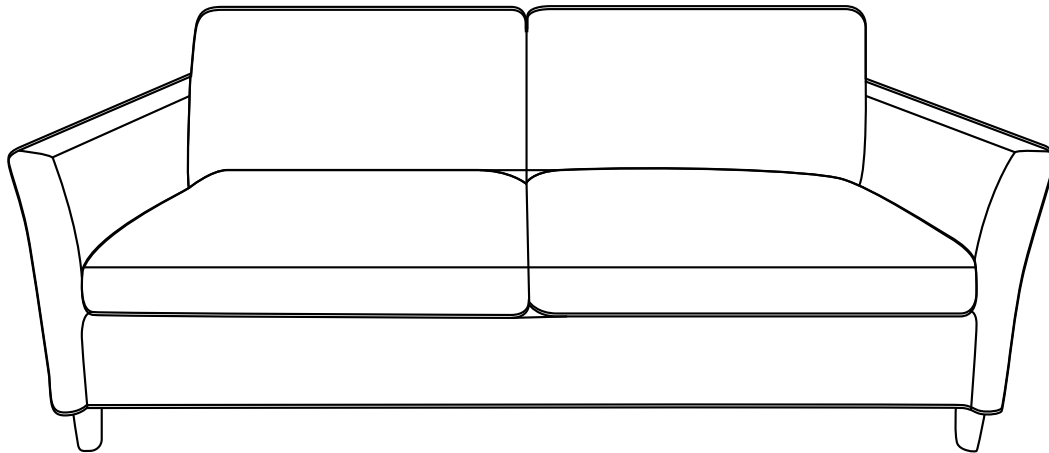


Sofa

Complete drawing display



Model: C017

Safety And Care Advice

Important - Please read these instructions carefully before installing

Thank you for choosing our product.

Assemble and operate this product with care. Please read this instruction before beginning the installation, and carefully follow all instructions contained herein.

Use proper safety equipment during installation. Choose a clean, level, spacious assembly area. Avoid hard surfaces that may damage the product.

Take care when lifting. Ensure that you have all required contents for complete assembly.

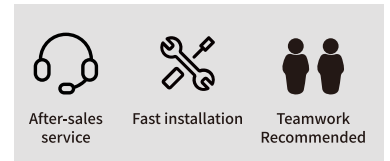
Please keep the instruction manual properly

For inquiries, technical support, or warranty claims, please contact our customer services team. We hope this manual provides you with all the necessary information to use and maintain your product effectively. Happy life!

Warnings :

Children are not allowed to assemble the product. During assembly, keep all small parts out of the reach of children as they may be fatal if swallowed or inhaled.

Do not place in front of a fire or other heat source.



The product parts are packed in two separate cartons. Please wait to receive both complete cartons before proceeding with the installation.

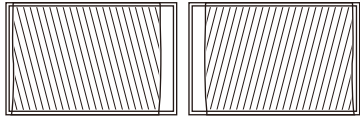
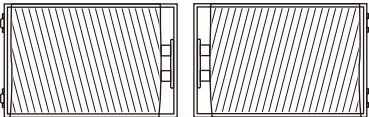


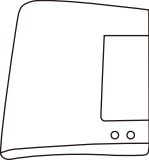
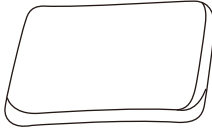
Maintenance and Cleaning Methods

- 1.Regular Vacuuming:** Make it a habit to vacuum your fabric sofa regularly, at least once a week, to remove dust, dirt, and crumbs. Use a soft brush attachment to prevent damage to the fabric.
- 2.Spot Cleaning:** Deal with spills and stains immediately to prevent them from setting into the fabric. Blot the spill with a clean cloth or paper towel to absorb as much liquid as possible, then use a mild detergent mixed with water to gently clean the area. Always test any cleaning solution on a hidden area of the sofa first to ensure it doesn't cause discoloration.
- 3.Professional Cleaning:** Consider having your fabric sofa professionally cleaned at least once a year, especially if it's heavily used or if you have pets. Professional cleaners have the expertise and equipment to deep clean the fabric without causing damage.
- 4..Fluff and Rotate Cushions:** Regularly fluff and rotate the cushions on your sofa to ensure even wear and maintain their shape. This will help prevent sagging and prolong the life of the sofa.
- 5.Protect from Sunlight and Pets:** Position your fabric sofa away from direct sunlight to prevent fading and discoloration. If you have pets, consider using a protective cover or blanket to minimize damage from claws and hair.

By following these maintenance and cleaning tips, you can keep your fabric sofa looking fresh and inviting for years to come.

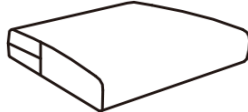
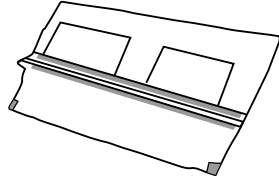

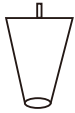
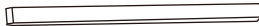

Parts List

The parts list is shown below

illustration	description	quantity
	BACKREST	A×1
	SEAT FRAME	B×1
	LEG	C×2
	FRONT PANEL	D×2
	ARMREST	E×2
	BACK CUSHION	F×2




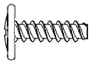




Parts List

The parts list is shown below

illustration	description	quantity
	SEAT CUSHION	G×2
	BACKREST COVER	H×1
	FRONT PANEL CONNECTION ROD	I×1
	WOOD LEG	J×4
	BACKREST CONNECTION ROD	K×2
	FRONT PANEL COVER	L×1

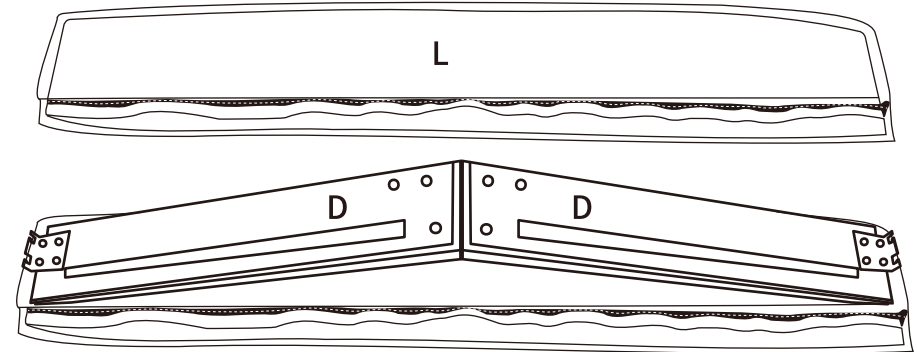
Parts List

The parts list is shown below

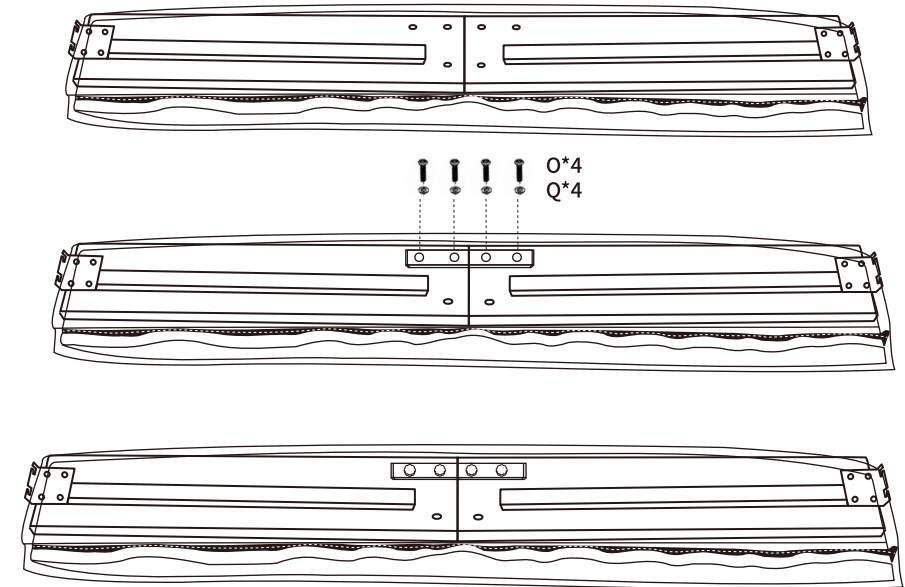
illustration	description	quantity
	M8*50	M×6
	M8*40	N×4
	M8*35	O×8
	M8*20	P×4
	GASKET	Q×22
	LOCK NUT	R×4
	OPEN-END WRENCH	S×1
	RATCHET WRENCH	T×1

Installation Procedure

Specific operations are shown in the following figure



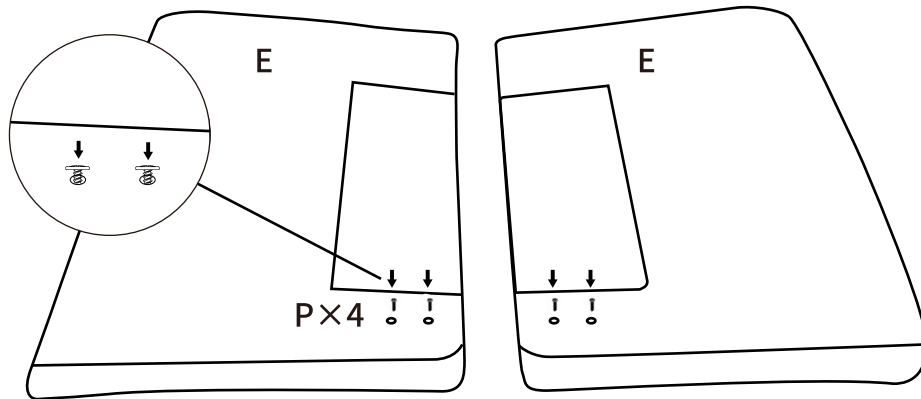
STEP 1: Insert the two front panels into the cover as shown in the diagram and put them down simultaneously.



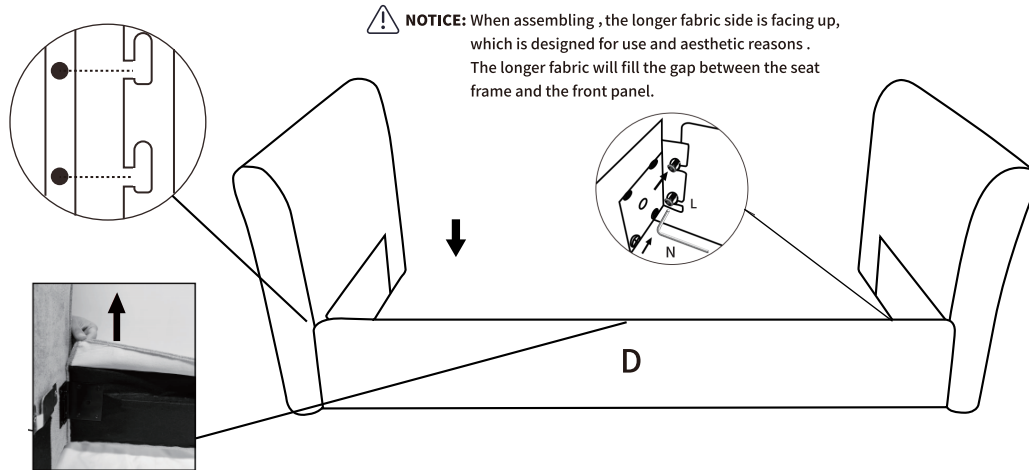
STEP 2: Secure the connecting rod onto the front panel with the screws(O/Q)

Installation Procedure

Specific operations are shown in the following figure



STEP 3: Insert screws P into the pre-drilled holes on the armrest (Do not completely lock the screws). Align the mounting clips on the front panel with the screws and attach the panel. Once it's securely in place, tighten the screws to securely fasten the front panel.

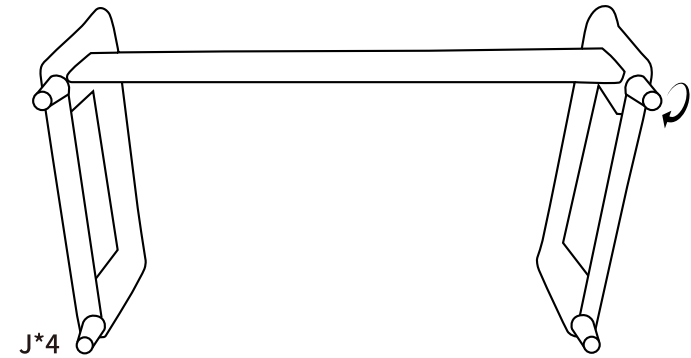


NOTICE: When assembling, the longer fabric side is facing up, which is designed for use and aesthetic reasons. The longer fabric will fill the gap between the seat frame and the front panel.

STEP 4: To attach the 2 armrest with the front panel, slide the connectors of the front panel into the armrest's receivers.

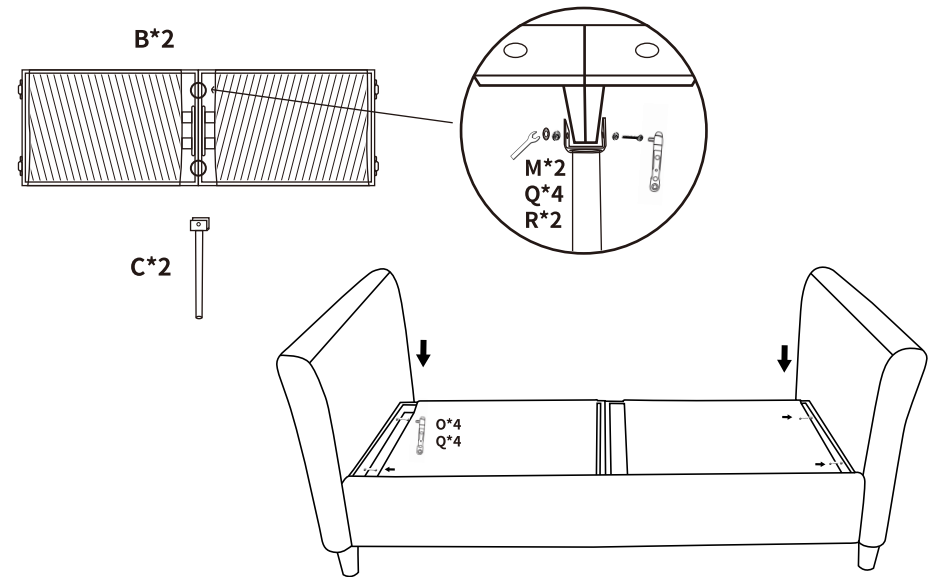
Installation Procedure

Specific operations are shown in the following figure



STEP 5: Install the wood leg

Assemble 2 legs of the seat frame

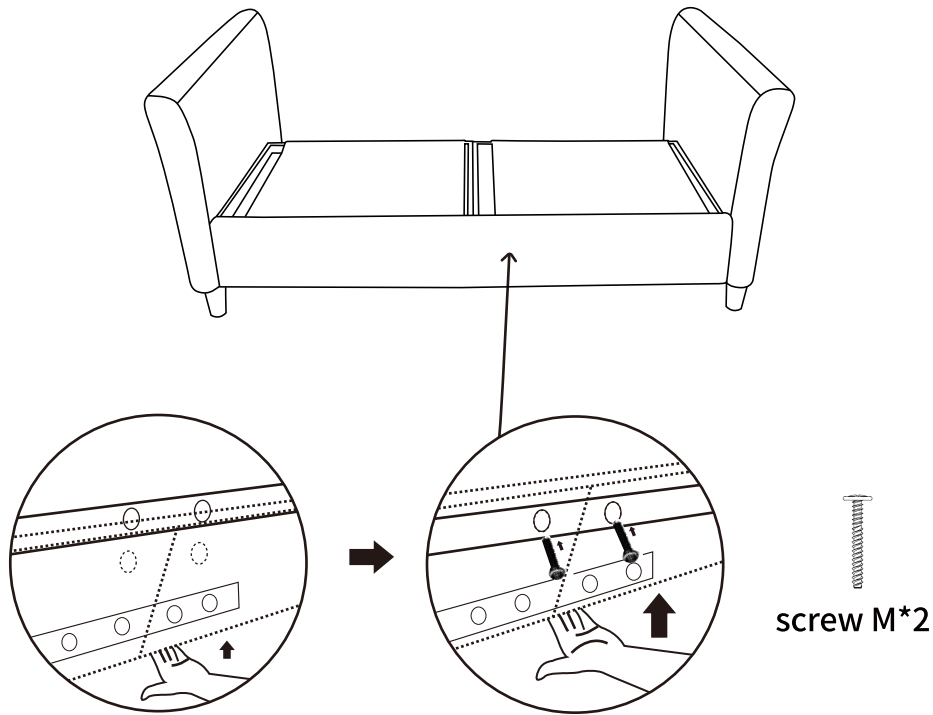


STEP 6: Place the leg C in the corresponding position and tighten the screws (M/Q/R). Then use screw O and gasket Q to connect armrest and seat frame.

Installation Procedure

Specific operations are shown in the following figure

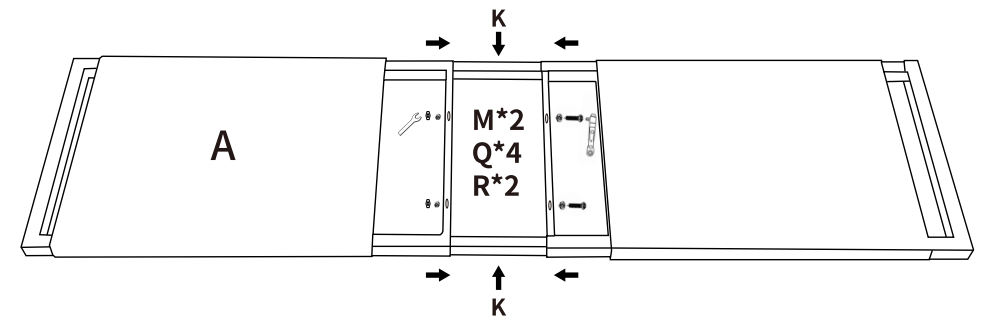
Connect the front panel with the seat frame



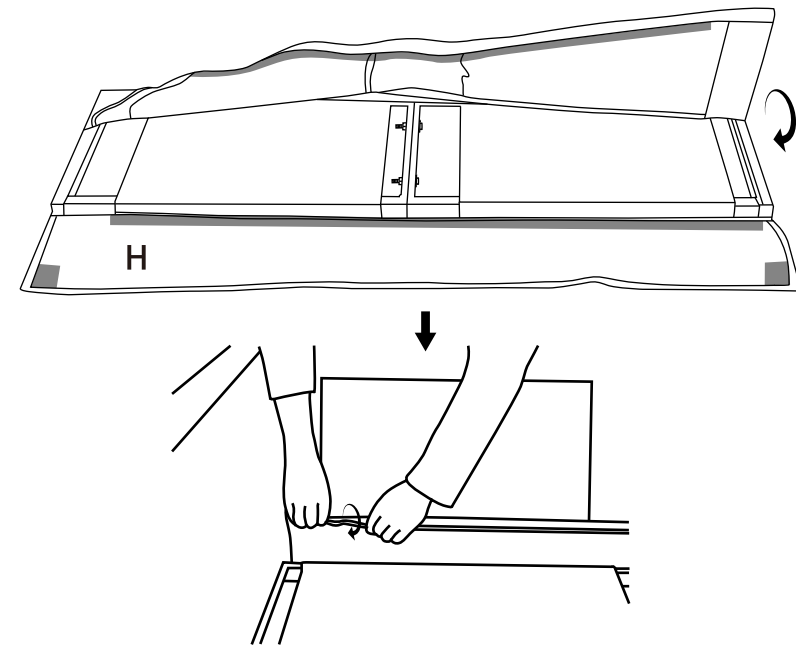
Step 7: Special attention is required in the steps of connecting the front panel with the seat frame. For gravity reasons, the holes in the front panel will not be the same height as the holes in the sofa seat frame. So you need to lift the front panel with your hand, to make sure the 4 holes are in the same height, and then tighten it with screws.

Installation Procedure

Specific operations are shown in the following figure



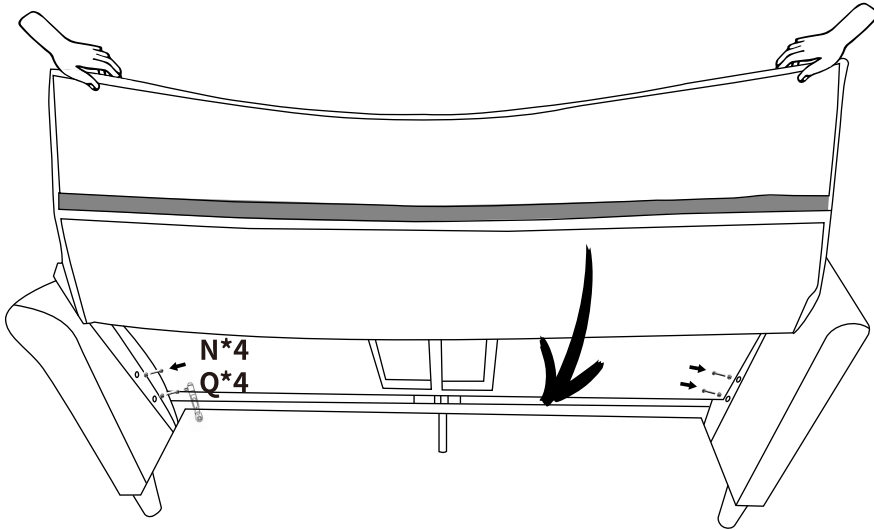
STEP 8: As shown in the picture, connect the two backrests with connection rod K, and then lock them with screws (M/Q/R)



STEP 9: Put the cover onto the backrest. Paste the front Velcro onto the bottom end of backrest.

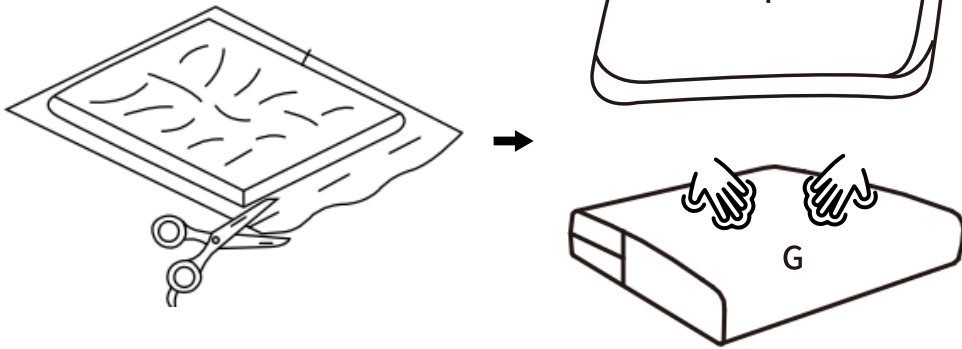
Installation Procedure

Specific operations are shown in the following figure



STEP 10: Use the screw N and gasket Q to connect backrest and armrest. Then paste the Velcro.

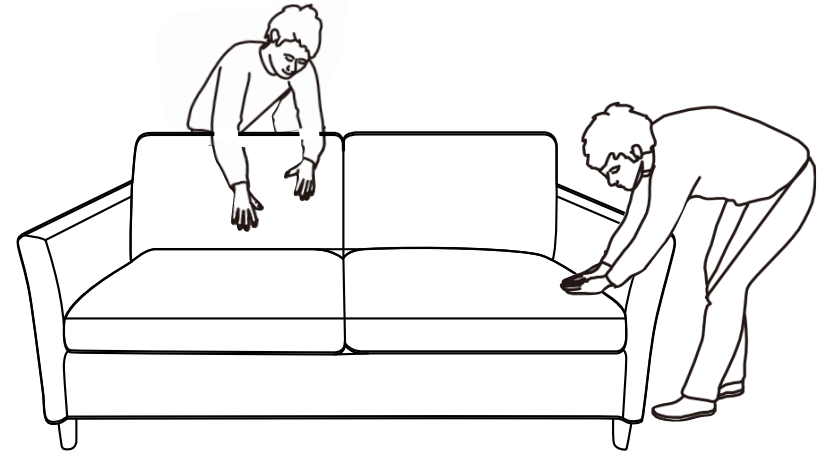
Note: It will take about 48 hours for the cushion to expand completely.



STEP 11: Open the bag and get the seat and back cushions out.

Installation Procedure

Specific operations are shown in the following figure



STEP 12: Place the cushions and pat it to smooth out the wrinkle.

Installation Procedure

Specific operations are shown in the following figure



Should you have any questions,
don't hesitate to reach out to us!

After-Sales Service Support :

Toll Free Hot Line: (+1) 877-716-5001

Monday-Friday (9:00am-6:00pm)

Email: service@energyfic.com



Scan the QR code and register to extend the
warranty to 2 years!



Installation Procedure

Specific operations are shown in the following figure



INSTALLATION VIDEO