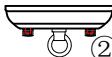



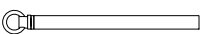

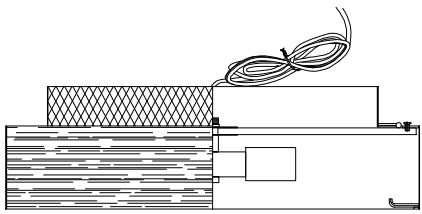


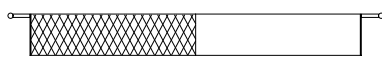
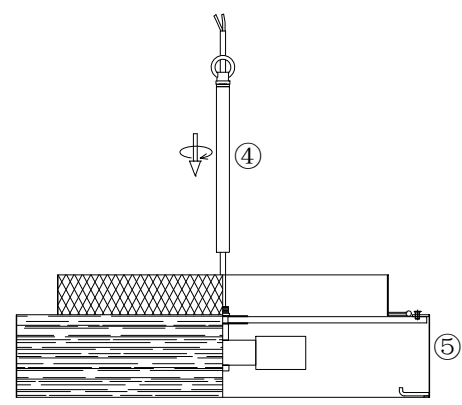
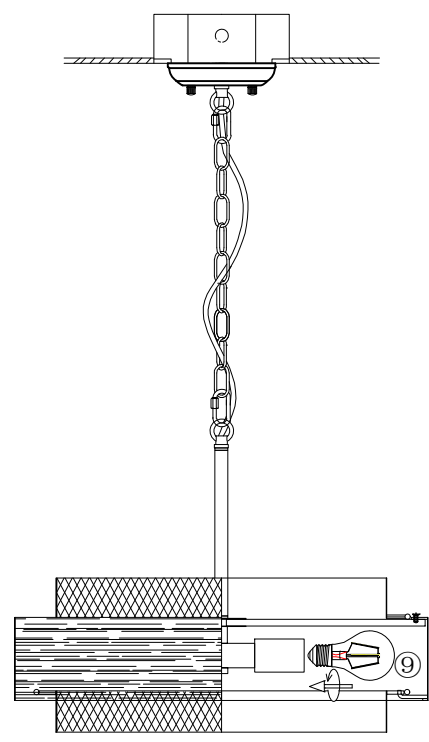
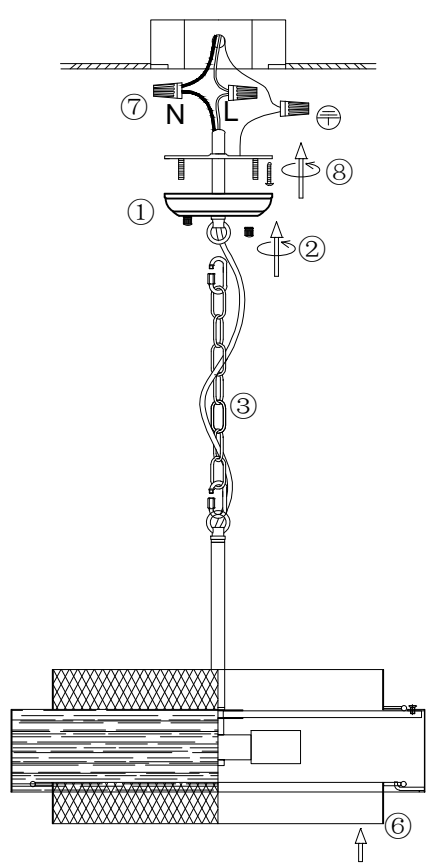


①	canopy 1PCS  ②cap nut 2PCS	 X 1PCS
③	chain 1PCS 	 X 3PCS
④	hanging tube 1PCS 	 X 3PCS
⑤	 light fixture 1PCS	 X 3PCS  X 3PCS
⑥	 net frame 1PCS	



1. Let the wire of the light fixture ⑤ go through the hanging tube ④, rotate to install the tube ④ to the fixture.



2. Hang the fixture to the canopy ① with chain ③, let the wire go through the chain ③ and canopy ①.
3. Install the bracket to the ceiling junction box with screws ⑧.
4. Connect the wire to the home line with cap connector ⑦.
5. Install the fixture to the bracket with cap nuts ②.
6. Hang the net frame ⑥ to the down side of fixture ⑤.

7. Install the bulb ⑨.

Please read carefully before installation!!!  
 Note : Please make sure that the electricity is powered off during installation !Only a professional electrician should install this kind of product !