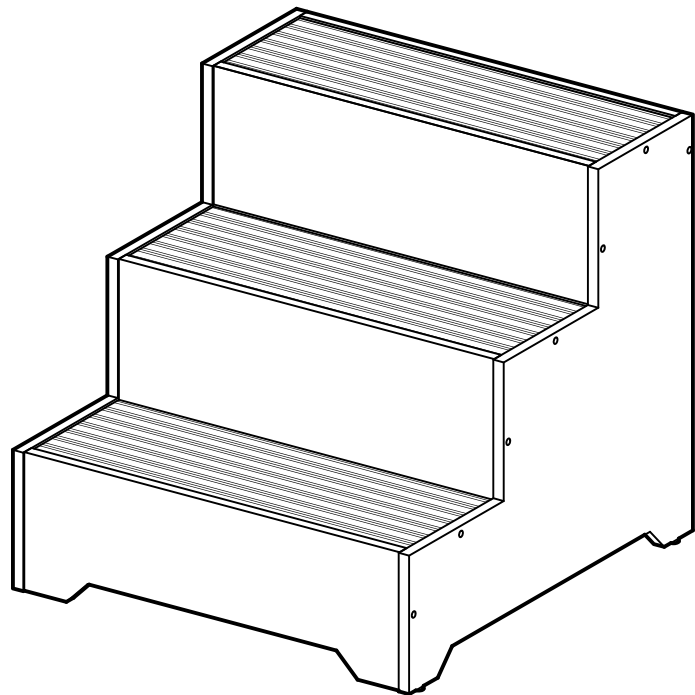
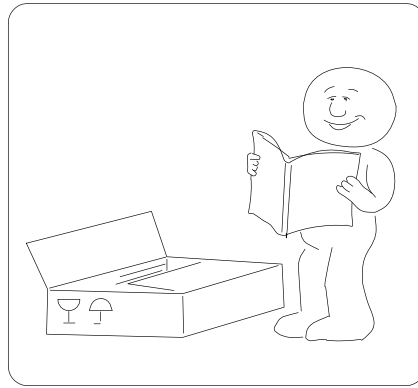
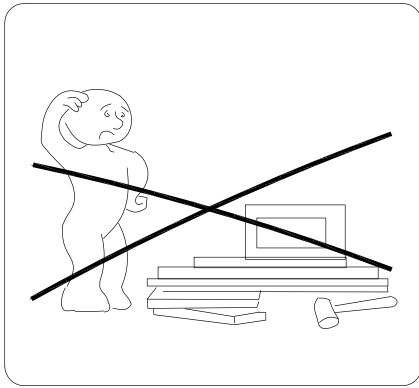


Everly Home Inc



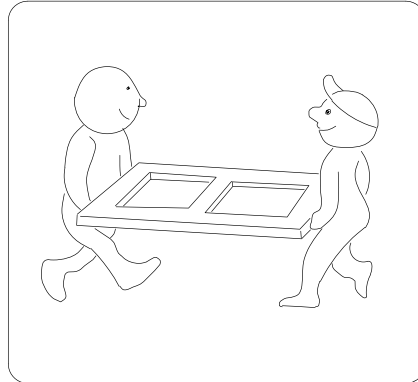
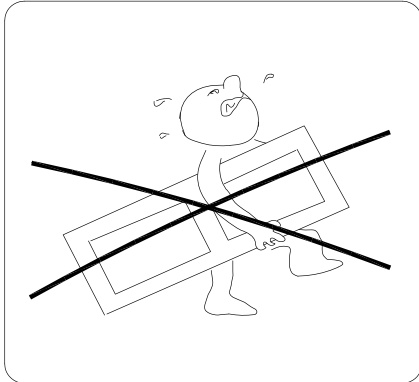
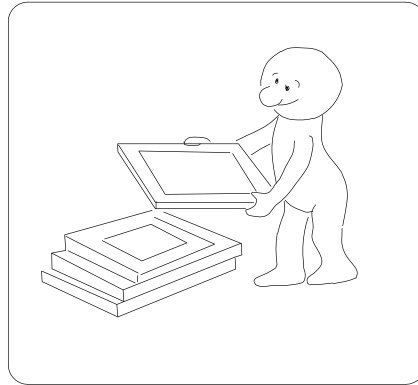
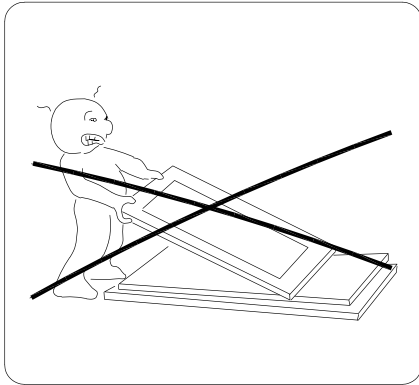
ASSEMBLY AND CARE INSTRUCTION

Pet Step



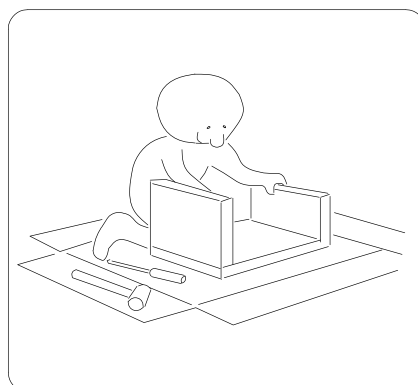
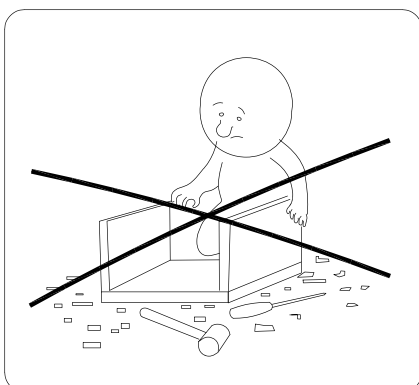
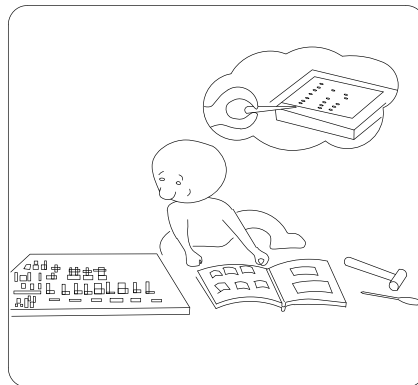
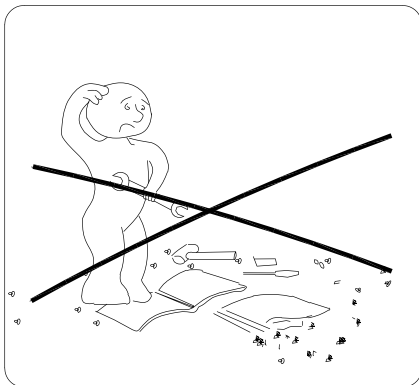
! WARNING !

1. PLEASE READ ALL INSTRUCTIONS CAREFULLY BEFORE STARTING ASSEMBLY.
2. DO NOT LET ANY SHARP OBJECTS TOUCH OR RUB THE SURFACE OF THE PRODUCT.
3. WHEN ASSEMBLING, DO NOT LET CHILDREN PLAY AROUND THE WORKING AREA.
4. PLEASE CONFIRM ALL PARTS ARE CORRECT BEFORE STARTING THE ASSEMBLY PROCESS.
5. DO NOT TIGHTEN ALL BOLTS AND SCREWS COMPLETELY UNTIL THE ENTIRE UNIT HAS BEEN ASSEMBLED AND SET UP.

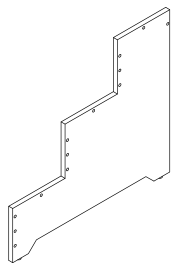
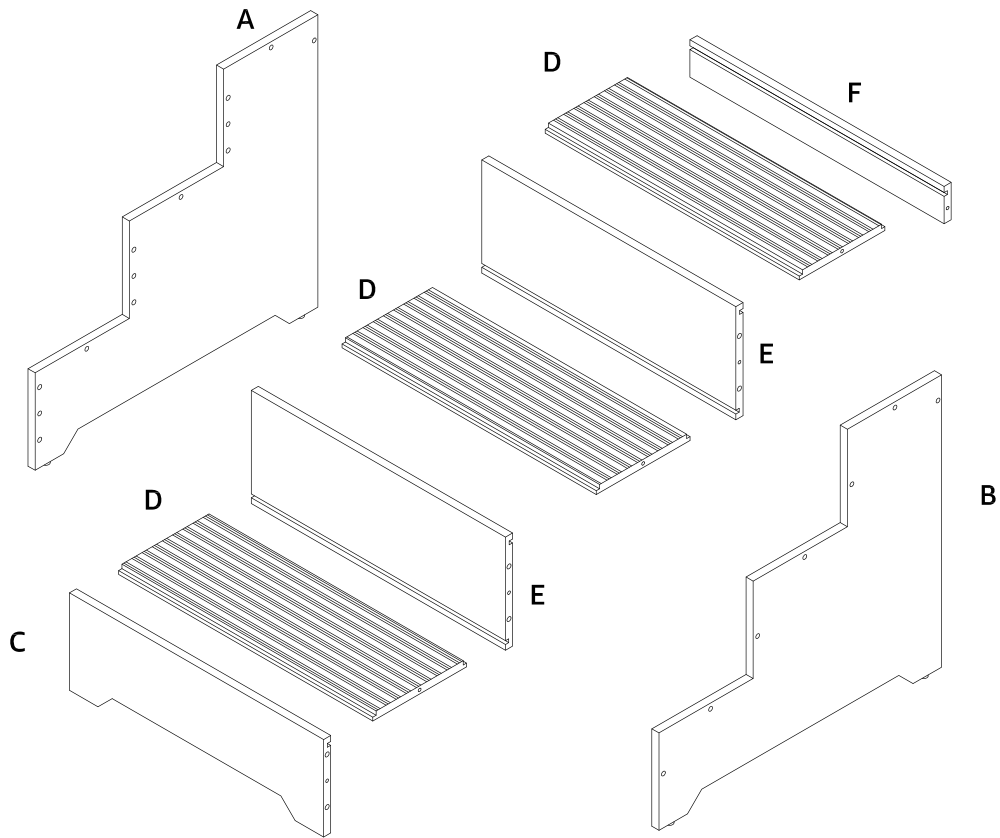


ADVISE

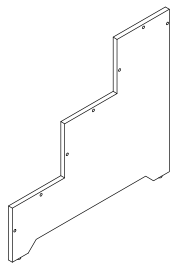
1. DO NOT SIT OR STAND ON THIS PRODUCT. IT IS INTENDED FOR PETS ONLY.
2. THIS PRODUCT SHOULD BE ASSEMBLED BY AN ADULT.
3. PLEASE PUT THE PRODUCT ON A SMOOTH SURFACE AFTER YOU ASSEMBLED IT.
4. PLACE ALL PARTS ON A CLEAN AND SMOOTH SURFACE SUCH AS A RUG OR CARPET TO AVOID THE PARTS FROM BEING SCRATCHED.
5. THE SCREW OF HINGE ON THE DOOR ALSO CAN BE ADJUSTABLE, TO MAKE IT EVEN THEN TIGHTEN ALL SCREWS.



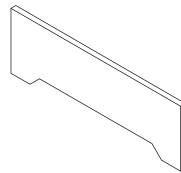
PARTS



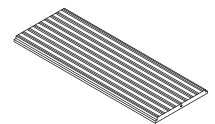
A
Left Side Panel
x1



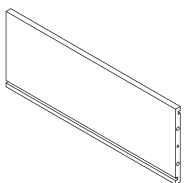
B
Right Side Panel
x1



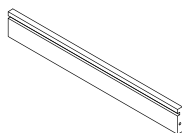
C
Front Panel
x1



D
Shelf
x3

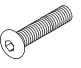




E
Support Bar #1
x2





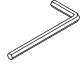
F
Support Bar #2
x1

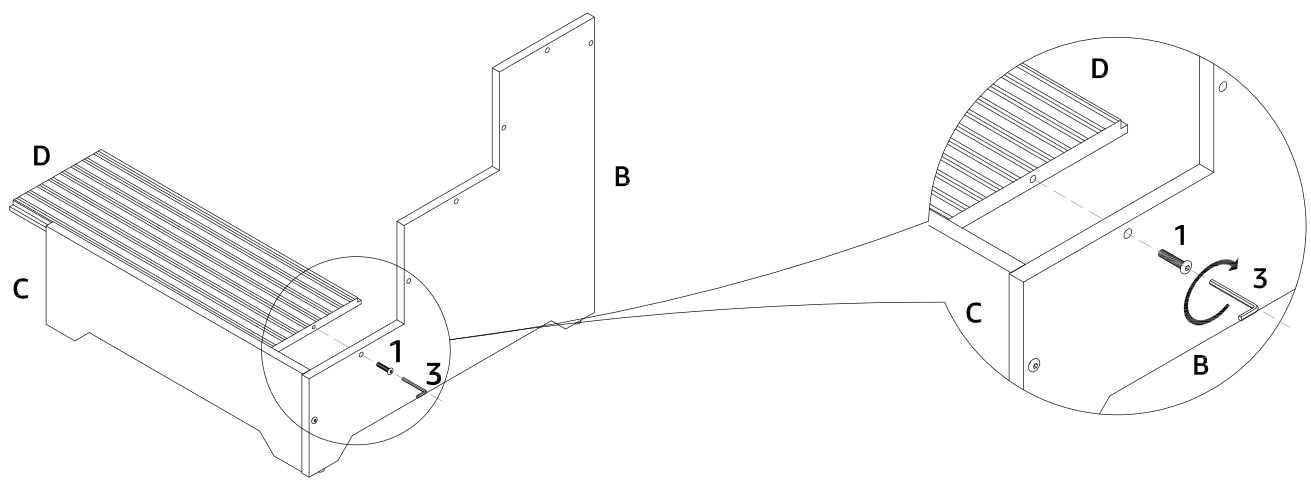
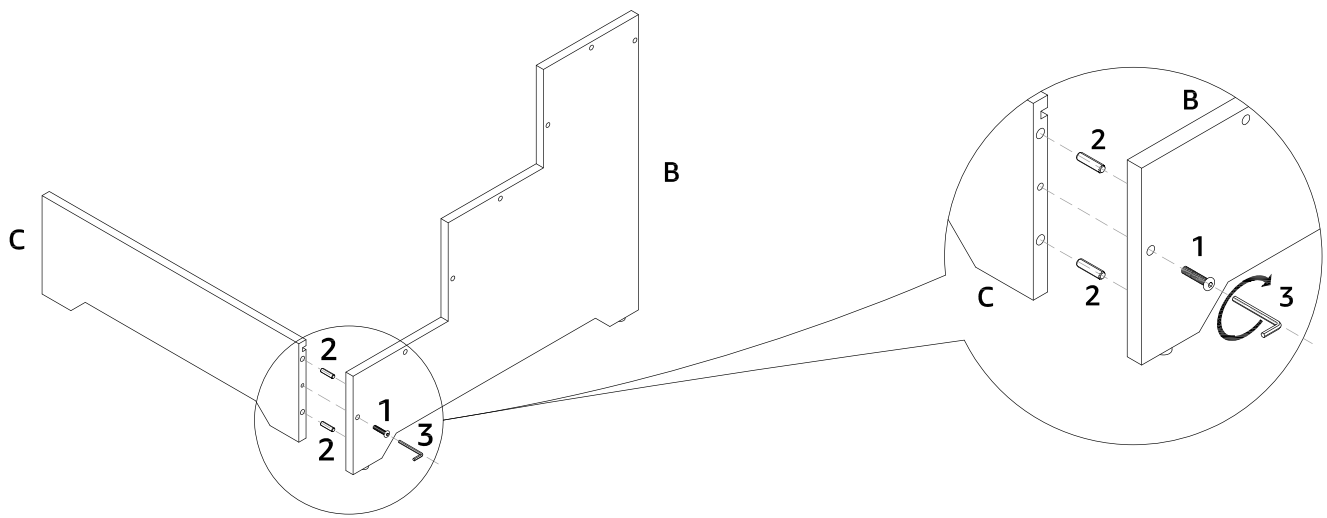
HARDWARE

- 
1
 x 14 pcs
- 
2
 x 12 pcs
- 
3
 x 1 pc

ASSEMBLY INSTRUCTIONS

- 1** Insert wooden dowel 2 into front panel C, then connect front panel C to right side panel B with bolt 1 by Allen Wrench 3.
 Insert shelf D to front panel C, tighten it to right side panel B with bolt 1 by Allen Wrench 3.

 2 x 2 pcs	 1 x 2 pcs	 3 x 1 pc
--	--	---

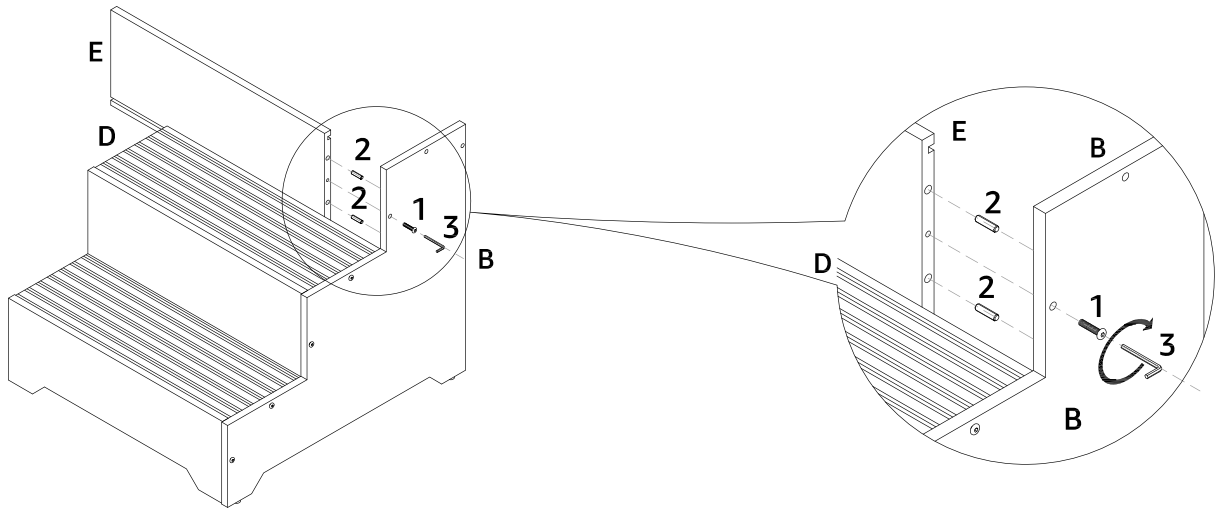
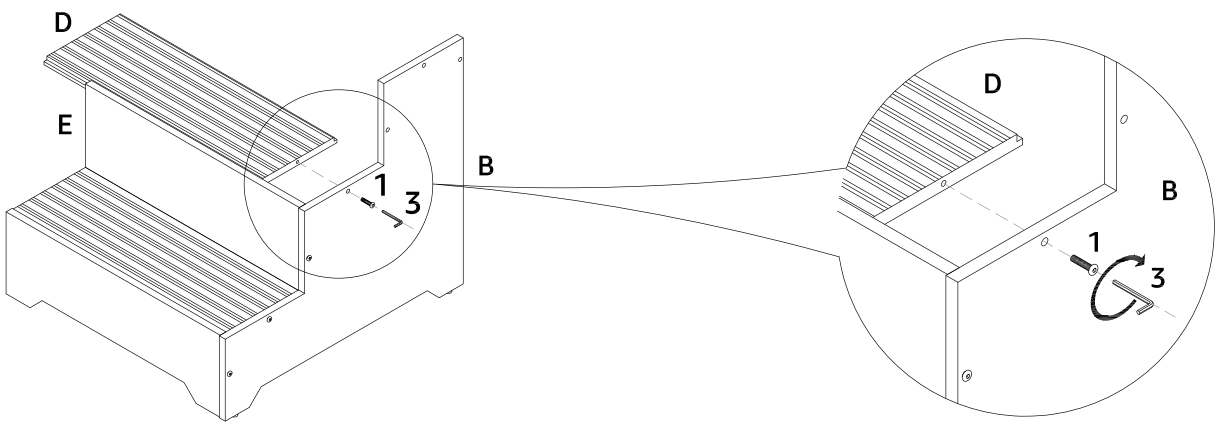
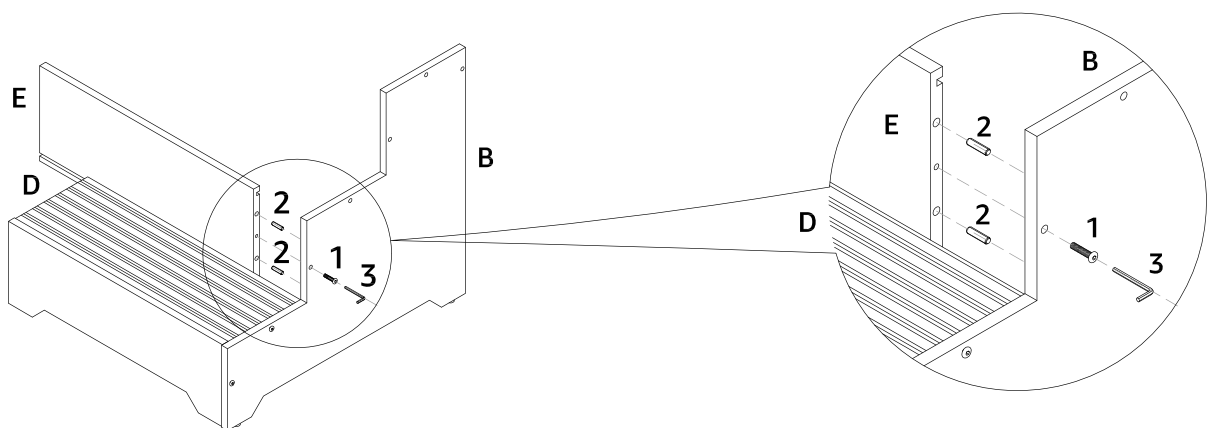
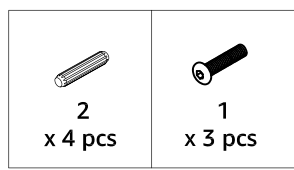


2

Insert wooden dowel 2 into 2 support bar #1 E, then insert it to shelf D, tighten it to right side panel B with bolt 1 by Allen Wrench 3.

Insert shelf D to support bar #1 E, then tighten it to right side panel B with bolt 1 by Allen Wrench 3.

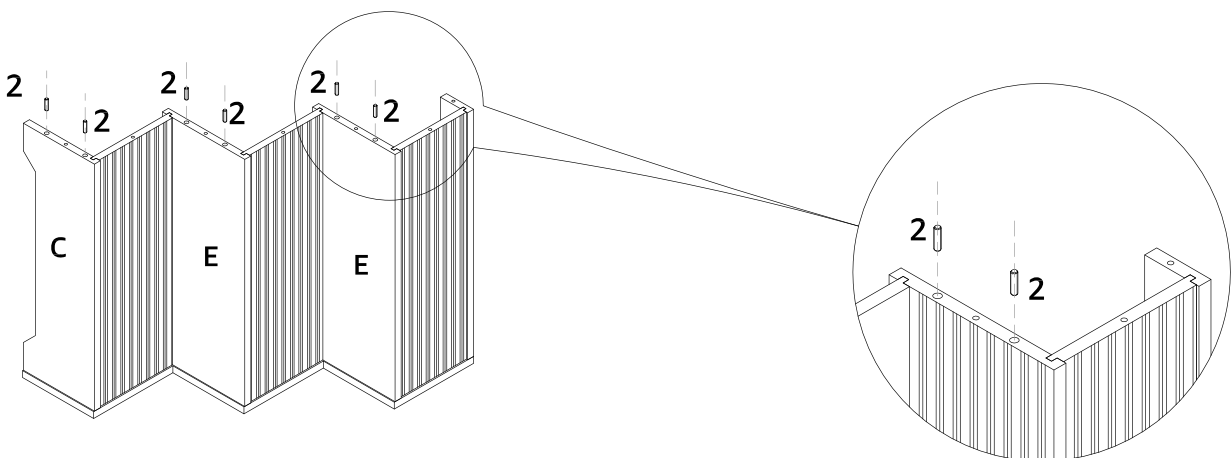
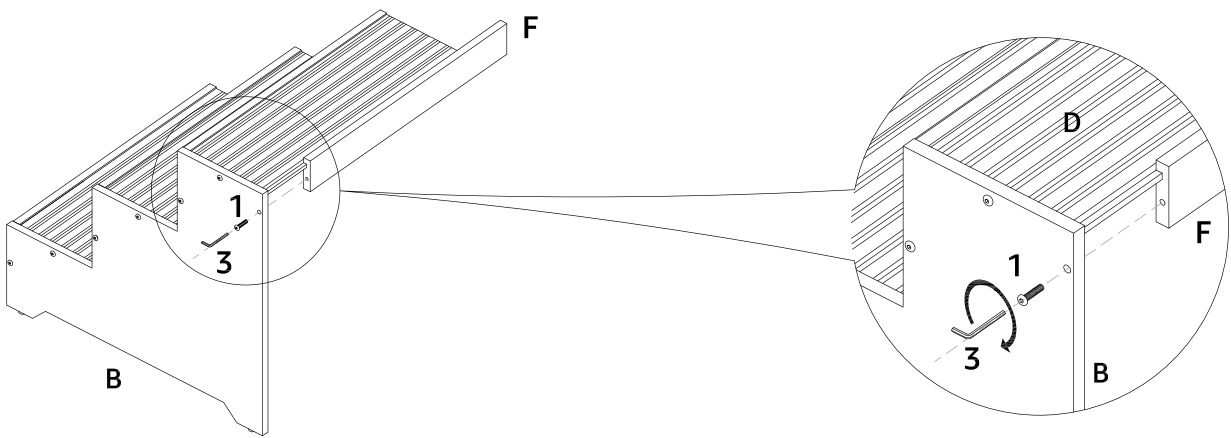
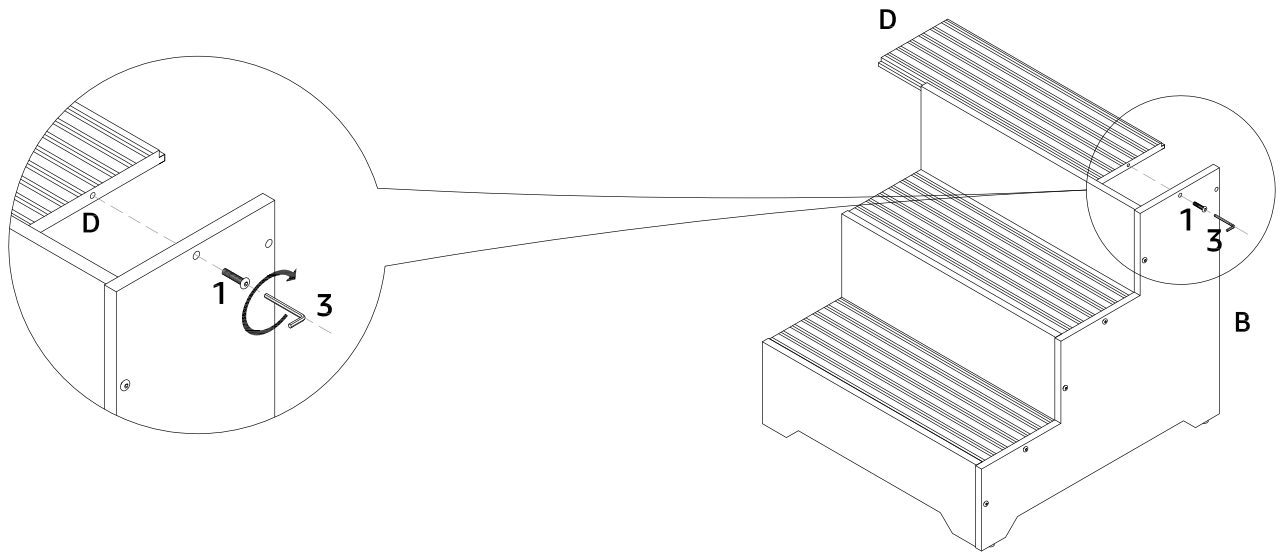
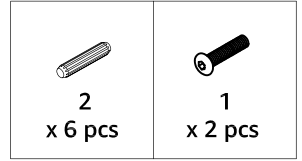
Insert support bar #1 E to shelf D, tighten it to right side panel B with bolt 1 by Allen Wrench 3.



3 Insert shelf D to support bar #1 E, tighten it to right side panel B with bolt 1 by Allen Wrench 3.

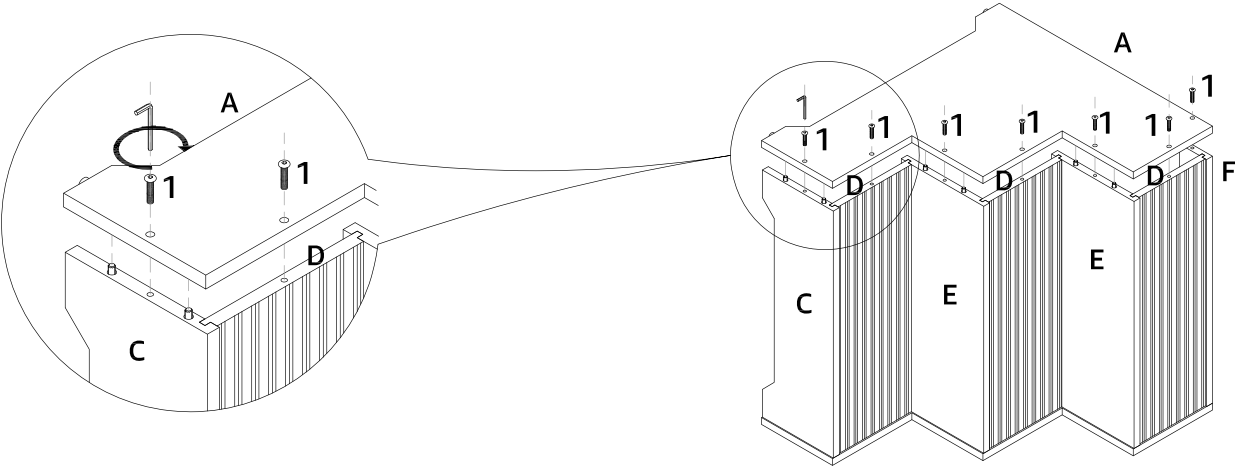
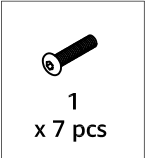
Insert support bar #2 F to shelf D, tighten it to right side panel B with bolt 1 by Allen Wrench 3.

Insert wooden dowel 2 into front panel C & support bar #1 E.



4

Connect left side panel A to assembled body frame with bolt 1.



You can fit everlyhome dog crate as below image shown.

