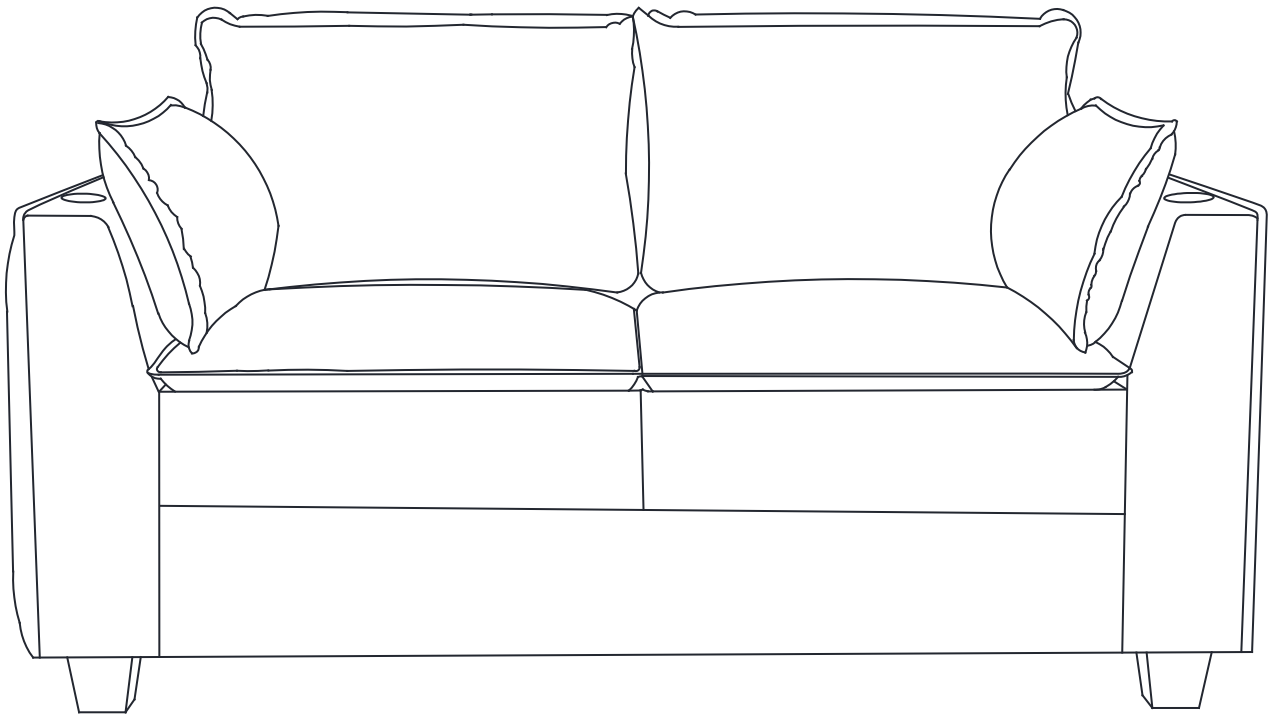


# ASSEMBLY INSTRUCTIONS

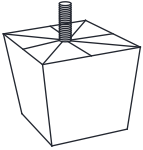

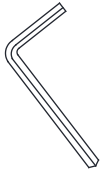




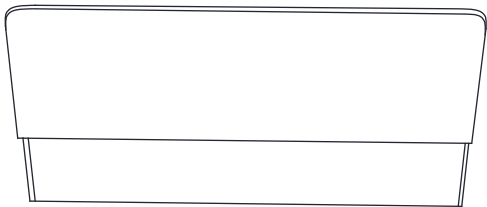
**S618**

**Sofa & Couch**

# PARTS LIST

Please check if all the components and tools listed below are received first.

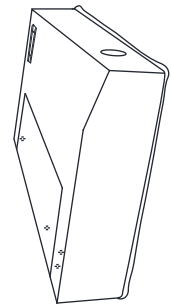
|   |  |   |   |   |
|---|--|---|---|---|
| <p>(A)*4</p>  <p>Sofa Foot</p> | <p>(B)*4</p>  <p>Gasket</p> | <p>(C)*1</p>  <p>Allen Key</p> | <p>(D)*4</p>  <p>M6*25MM<br/>(Hexagonal Screw)</p> | <p>(E)*4</p>  <p>M6*35MM<br/>(Hexagonal Screw)</p> |
|---|--|---|---|---|



①\*1  
Backrest



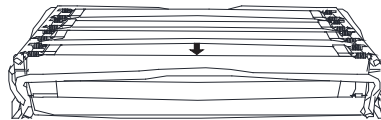
②\*1  
Left Armrest



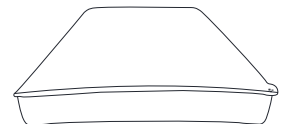
③\*1  
Right Armrest



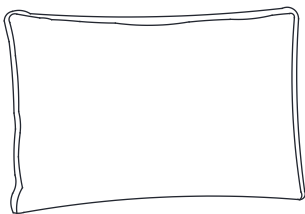
④\*1  
Seat Front Baffle



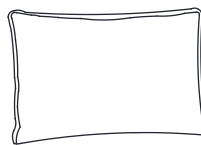
⑤\*1  
Iron Bed Frame



⑥\*2  
Seat Cushion



⑦\*2  
Back Cushion



⑧\*2  
Throw Pillow

Please read these instructions before assembly.

If there are any problems during installation, please contact us directly, our customer service team will assist you promptly and will try our best to provide you the best solutions.

## **Please Read Before Starting Assembly**

1. Follow the assembly steps one by one, and do not skip any steps.
2. Assemble the product in a spacious area, keeping a safe distance from infants and children. It's advisable to place protective packaging on the floor before assembly to safeguard your flooring and the product.
3. Thoroughly check to ensure that all connections (screws, bolts, etc.) are properly tightened.
4. If the product requires two or more people to assemble, do not attempt to install it alone, as it could pose a threat to your personal safety.

## **Caution**

1. The product you purchased may have slight variations in appearance compared to the illustrations in the assembly instructions.
2. The packaging contains plastic bags; please keep these plastic bags out of the reach of infants and children. Avoid assembling near cribs, beds, infants, or children. The thin film of these bags can adhere to the mouth and nose, leading to suffocation. After removing the product, please dispose of the plastic bags immediately or use other packing materials. Do not reuse these plastic bags.



# Warning

**This product contains a button cell or coin battery, please pay attention to the following safety items:**

- a) Remove and immediately recycle or dispose of used batteries according to local regulations and keep away from children. DO NOT dispose of batteries in household trash or incinerate.
- b) Even used batteries may cause severe injury or death.
- c) Call a local poison control center for treatment information.
- d) The compatible battery type is CR2025.
- e) The nominal battery voltage is 3 volt.
- f) Non-rechargeable batteries are not to be recharged.
- g) DO NOT force discharge, recharge, disassemble, heat above (40 °C) or incinerate. Doing so may result in injury due to venting, leakage or explosion resulting in chemical burns.

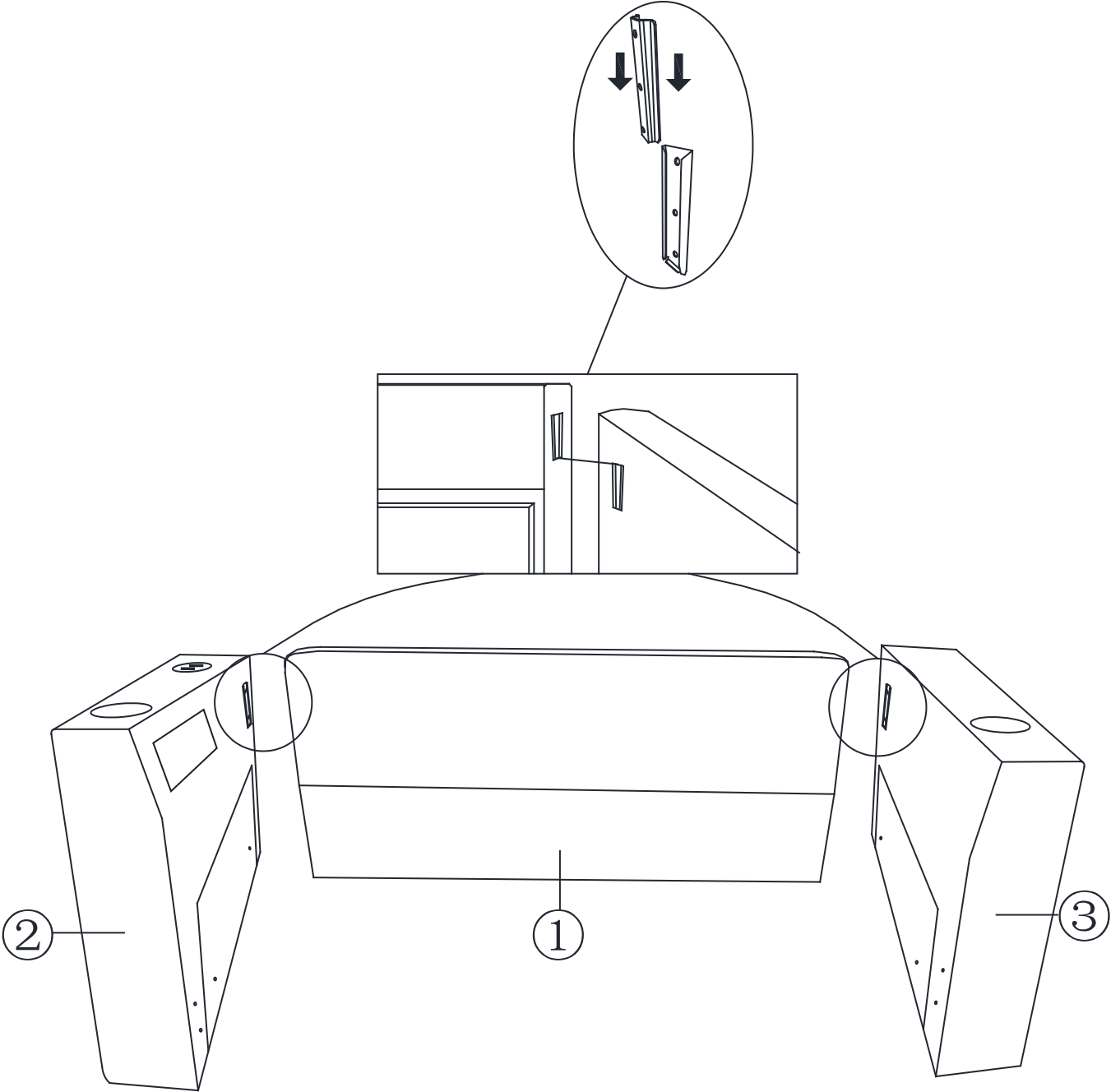
**Due to this product with replaceable button cell or coin battery, please additionally mind to the following items:**

- a) Ensure the batteries are installed correctly according to polarity(+ and -).
- b) DO NOT mix old and new batteries, different brands or types of batteries, such as alkaline, carbon-zinc, or rechargeable batteries.
- c) Remove and immediately recycle or dispose of batteries from equipment not used for an extended period of time according to local regulations.
- d) Always completely secure the battery compartment. If the battery compartment does not close securely, stop using the product, remove the batteries, and keep them away from children.

|   |  |
|---|--|
|  <b>WARNING</b>  |  |
| <ul style="list-style-type: none"><li>• <b>INGESTION HAZARD:</b> This product contains a button cell or coin battery.</li><li>• <b>DEATH</b> or serious injury can occur if ingested.</li><li>• A swallowed button cell or coin battery can cause Internal Chemical Burns in as little as <b>2 hours</b>.</li><li>• <b>KEEP</b> new and used batteries <b>OUT OF REACH of CHILDREN</b></li><li>• <b>Seek immediate medical attention</b> if a battery is suspected to be swallowed or inserted inside any part of the body.</li></ul> |  |

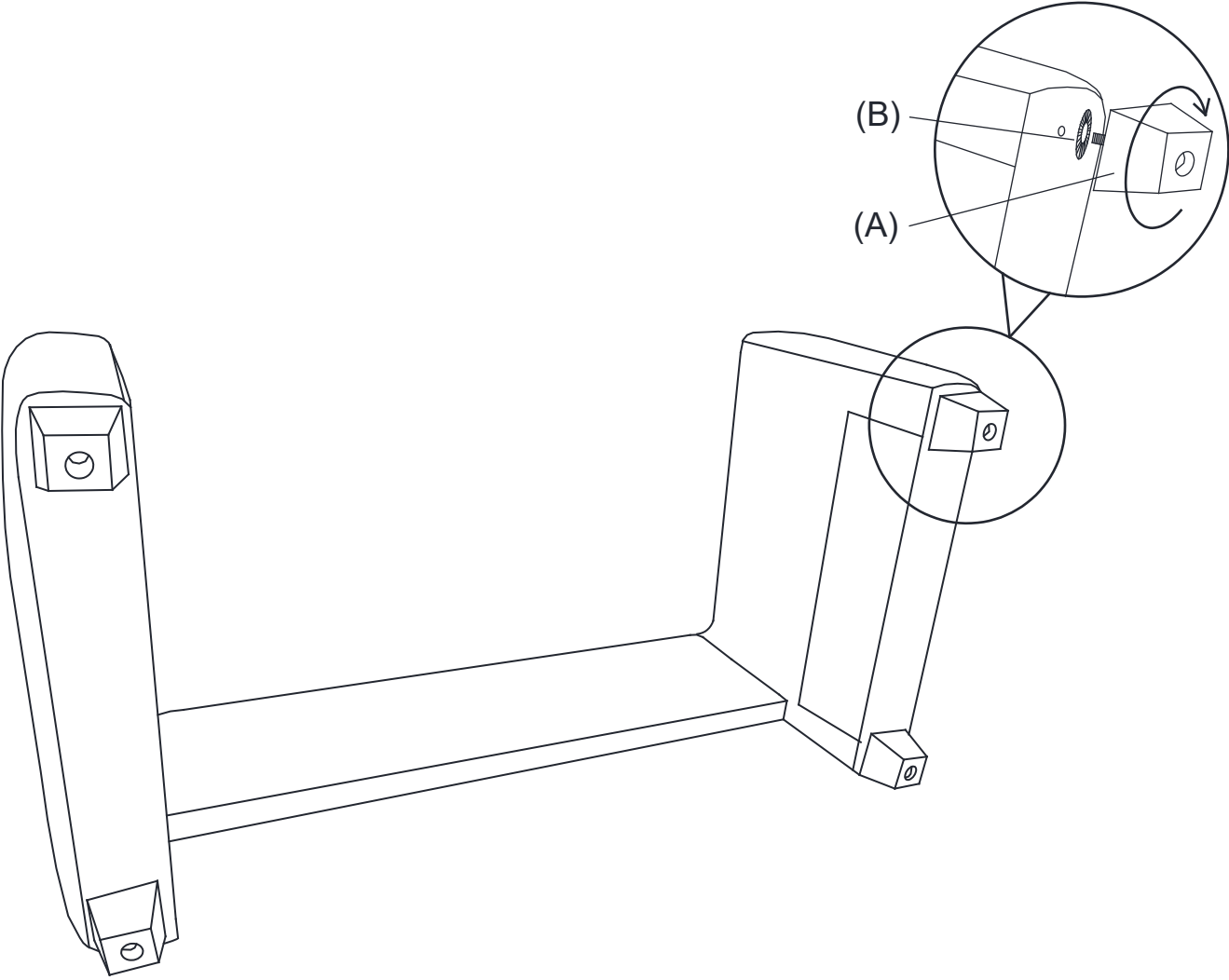
# Step 1

Start by attaching the latches of Backrest(①) and Armrest(②③).



# Step 2

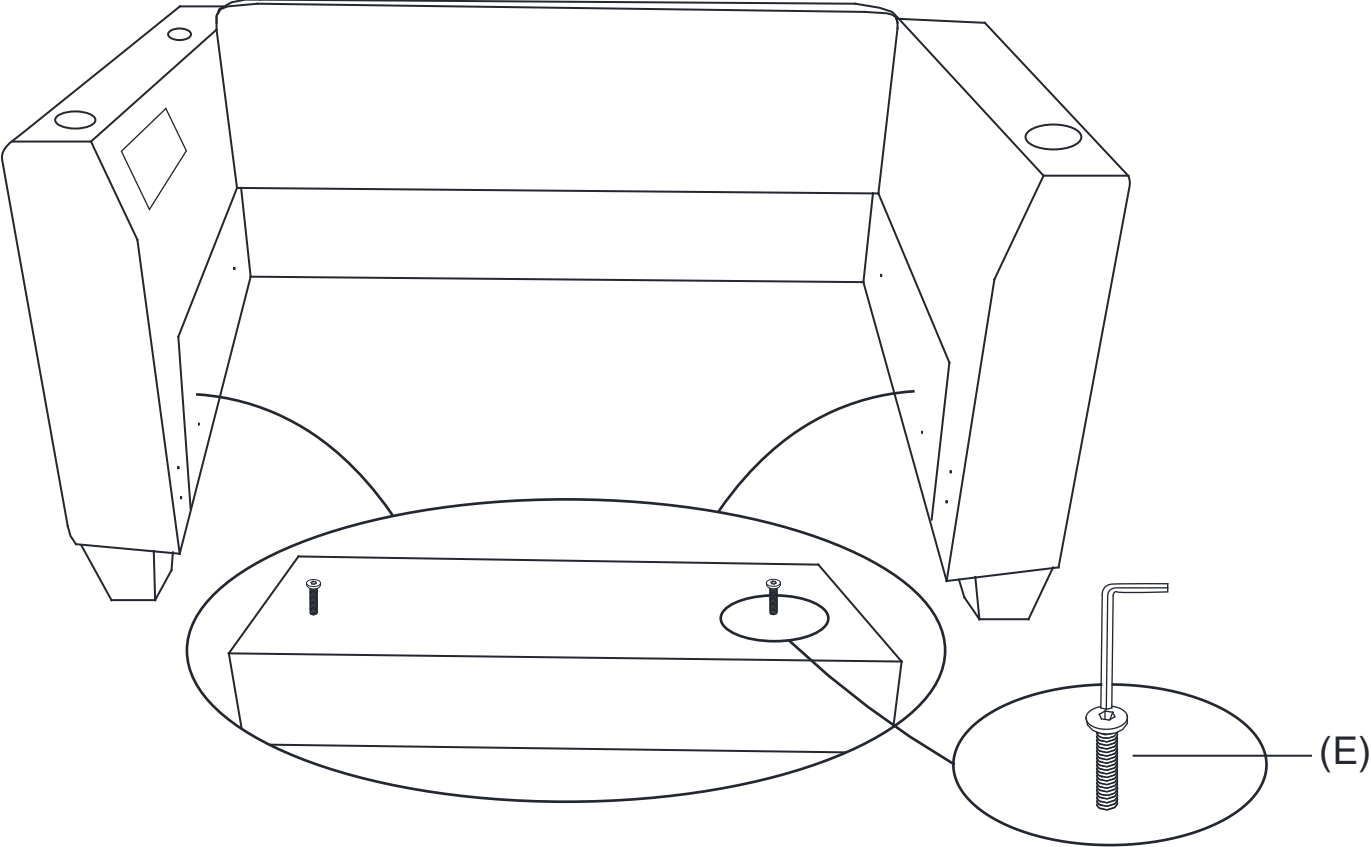
Put the sofa frame down as shown, then install the Sofa Feet(A).



# Step 3

Screw half of the M6\*35 Screw(E) on the the armrest to fix the iron bed frame.

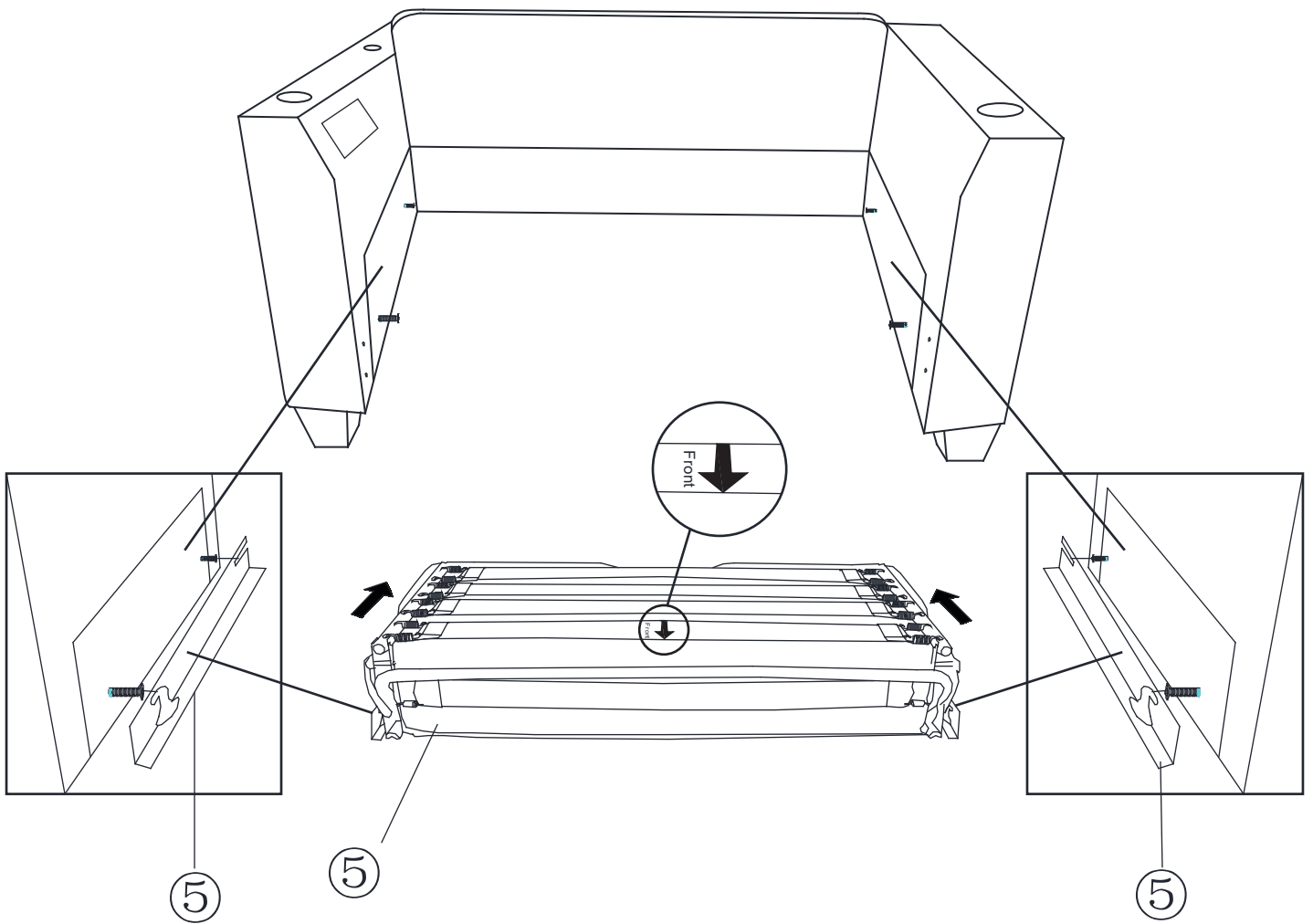
**Note: Please do not tighten it in this step.**



## Step 4

Then, take out the Iron Bed Frame(⑤), and make sure the arrow on it is pointing to the front of sofa.

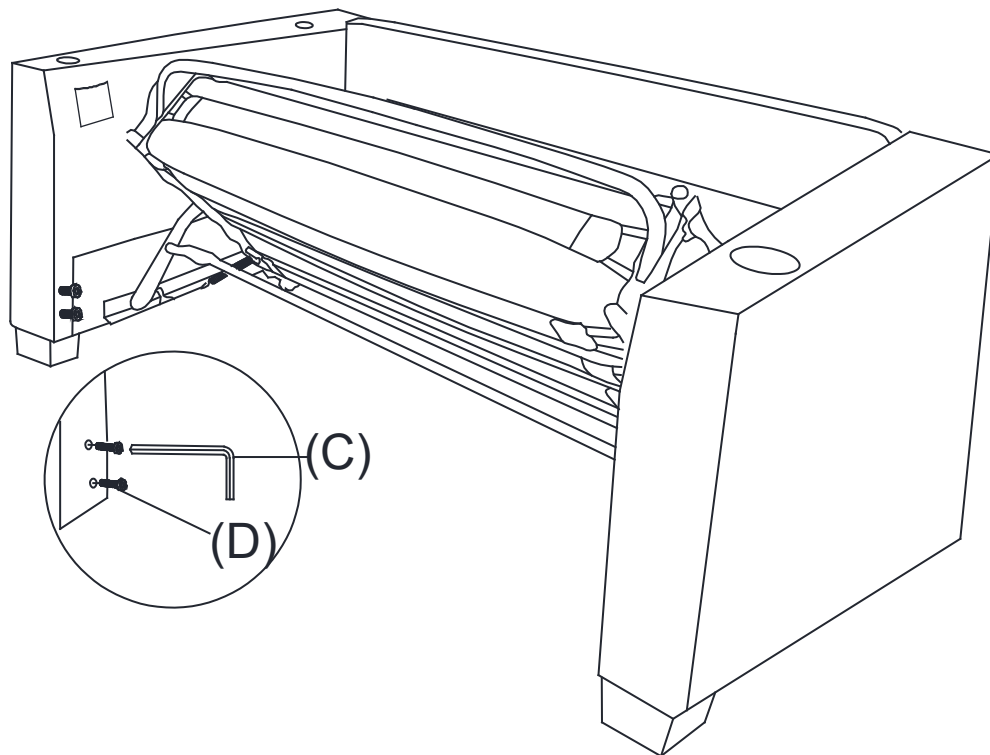
Continue to fix the iron bed frame, find the rods on the sides of bed frame first, (1) insert screws "E" in the holes at the end of it, (2) place the hooks at the front of it on screws "E".



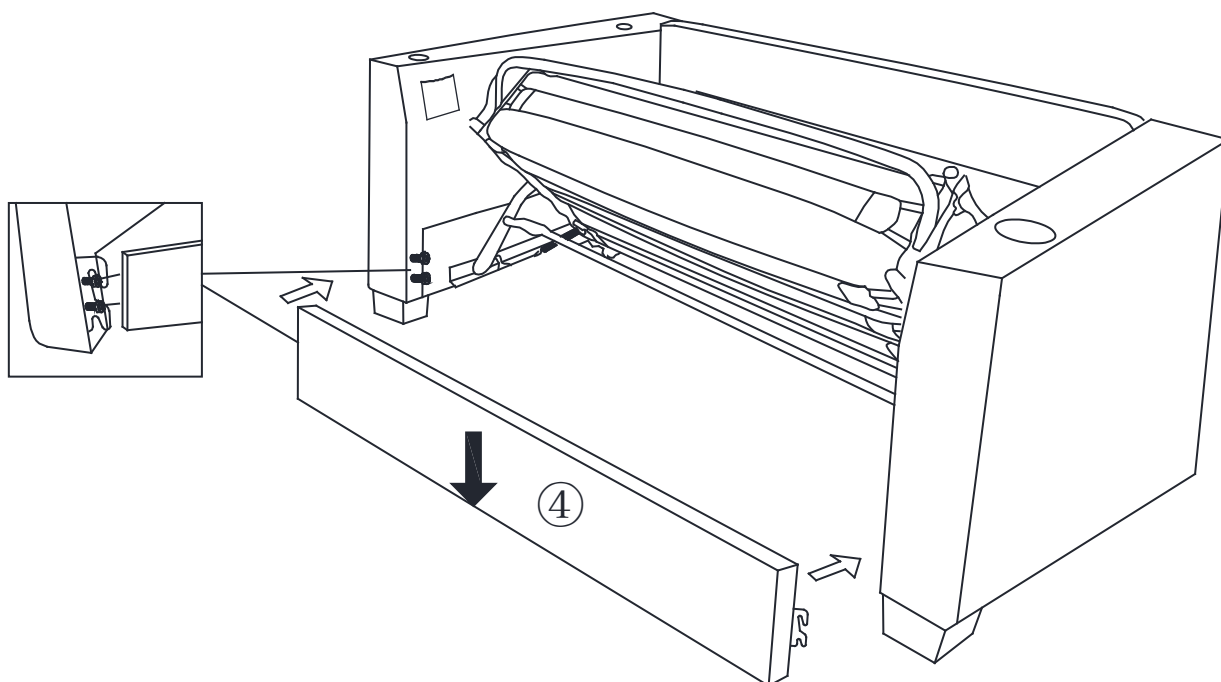
## Step 5

Screw half of the M6\*25 Screw(D) on the armrest to fix the Seat Front Baffle(④).

**Note: Please do not tighten it in this step.**

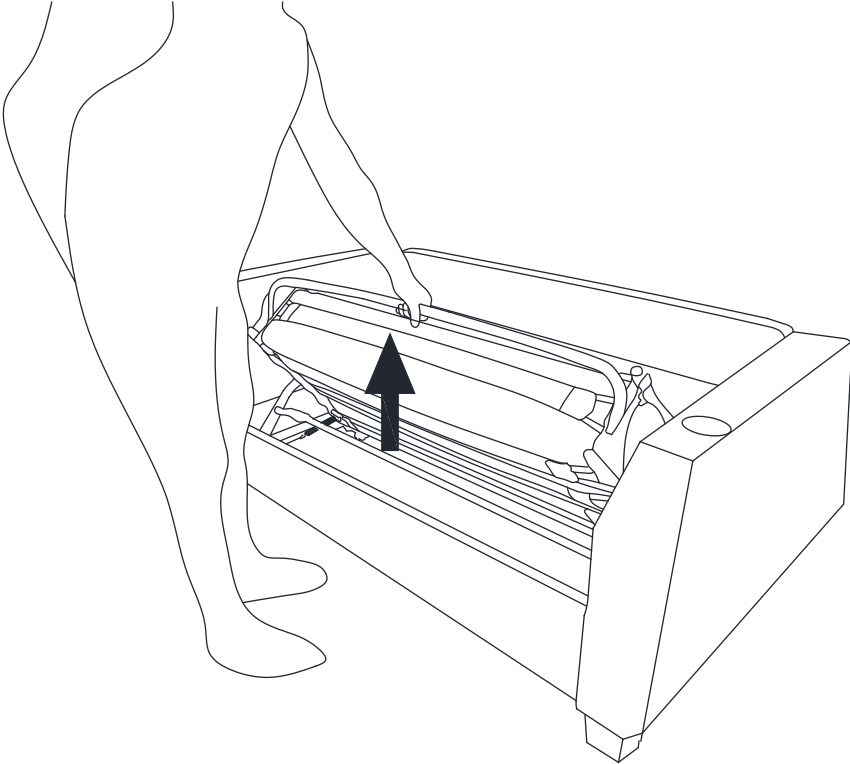
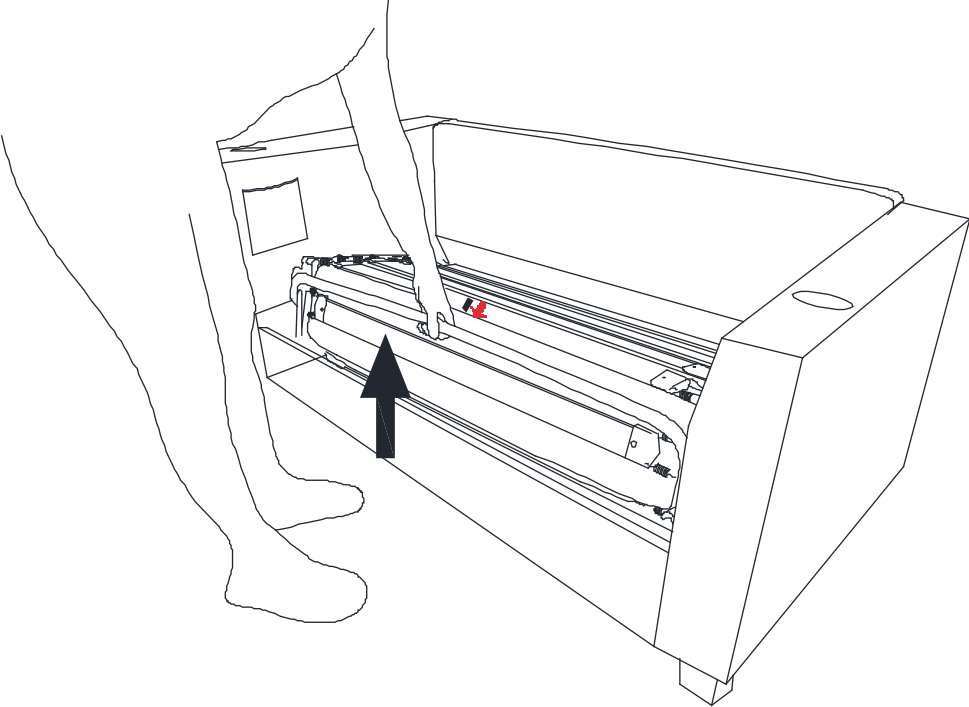


Place the hooks at the seat front baffle on screws "D", then tighten the screw, make sure the baffle is fixed.

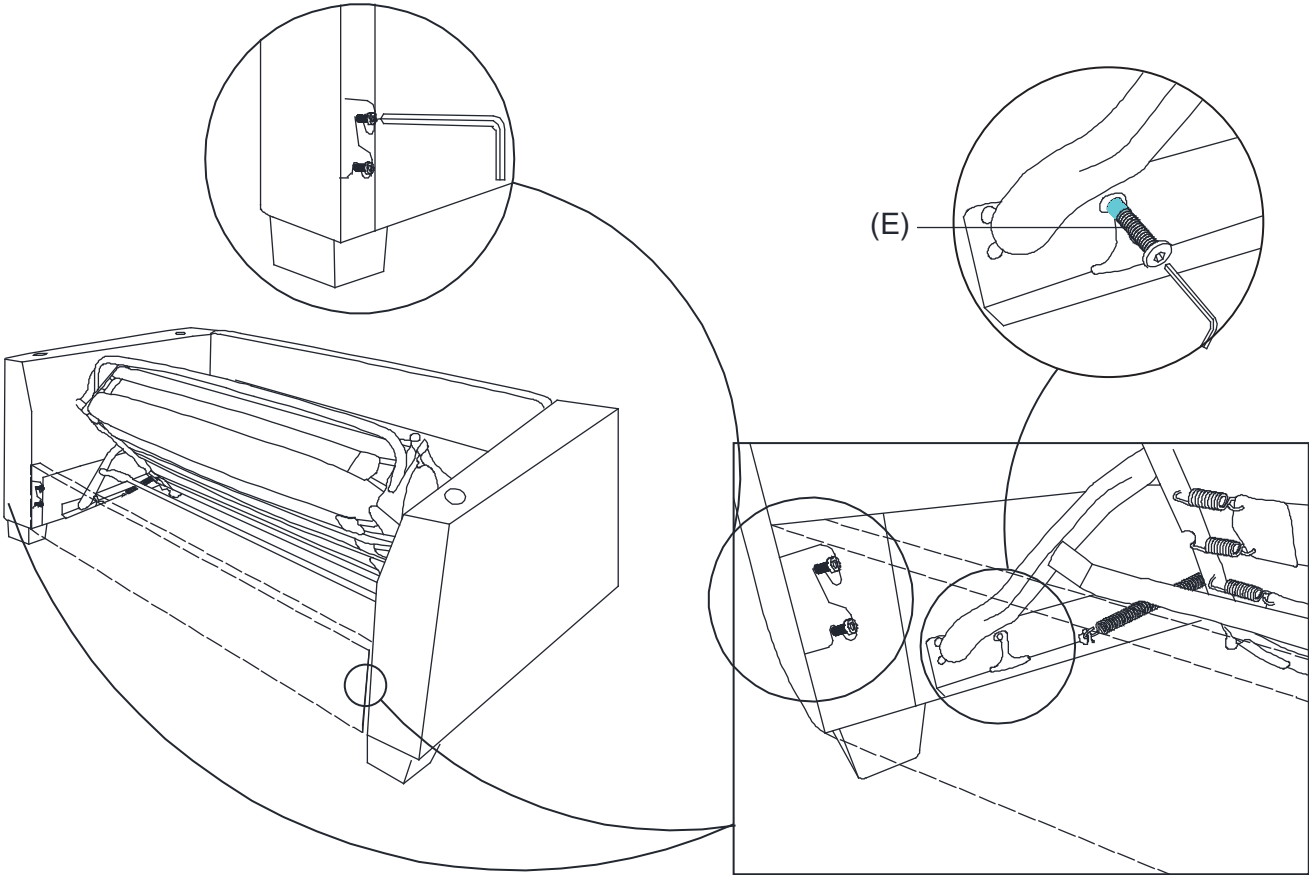


# Step 6

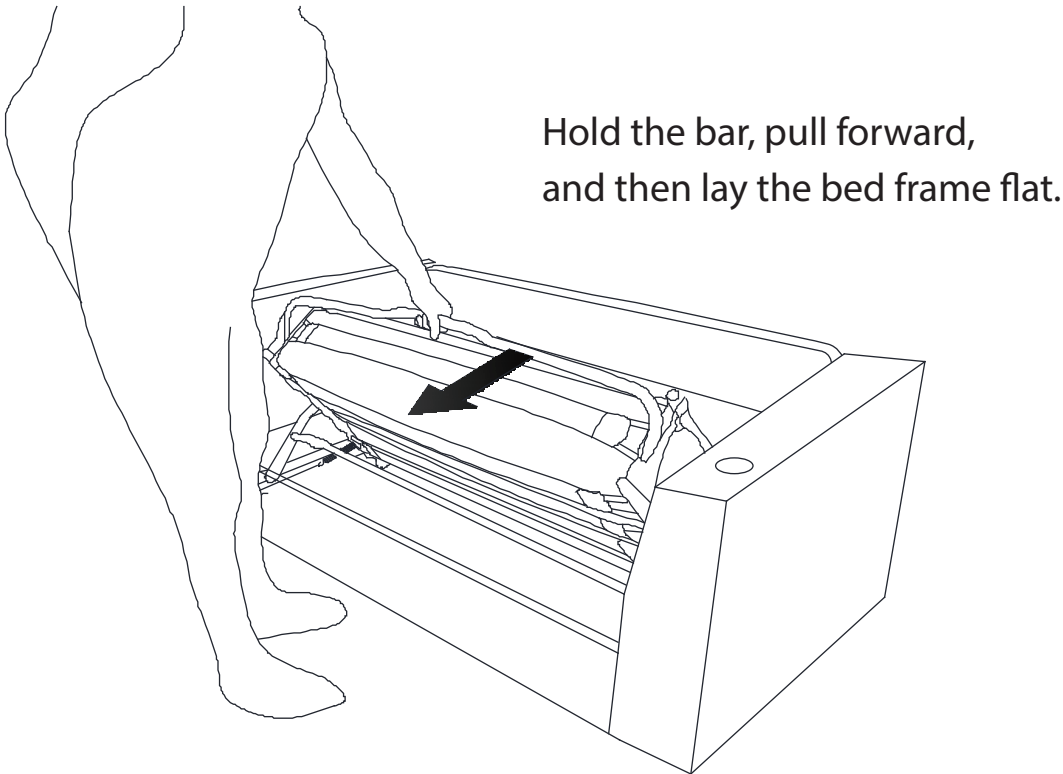
Hold the bar of the bed frame and slowly lift the bed frame up until you have enough room to tighten the screw "E".



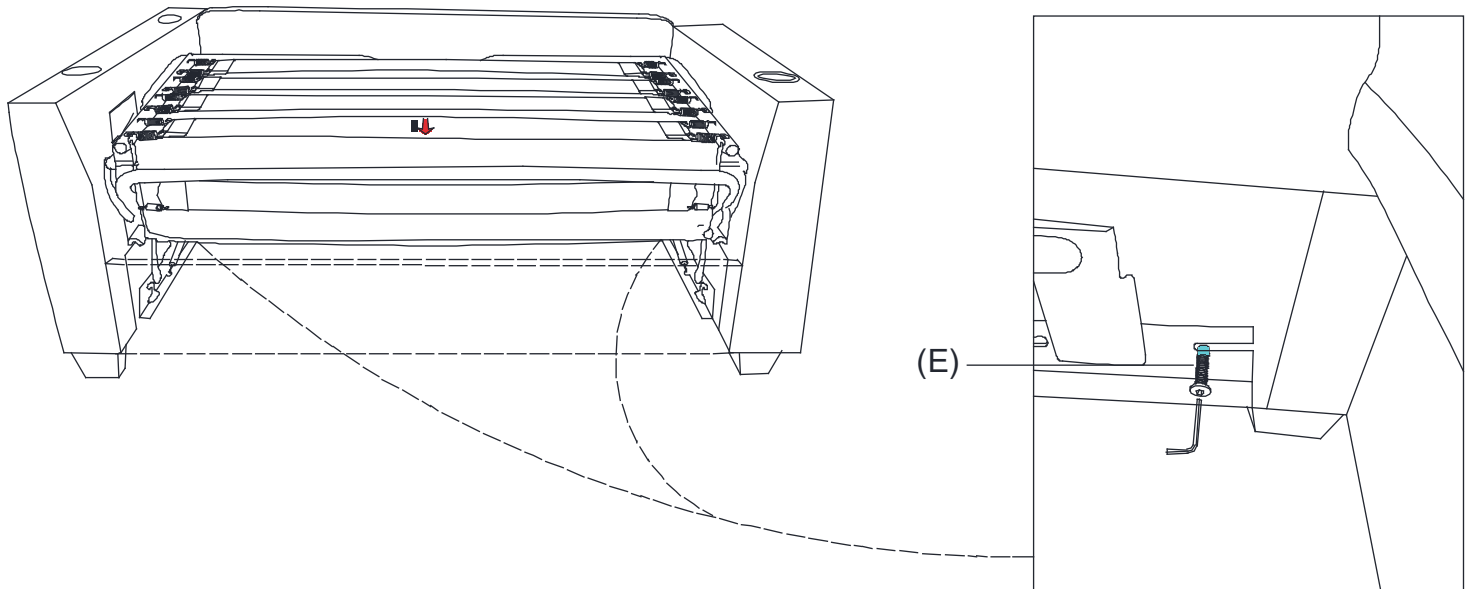
# Step 7



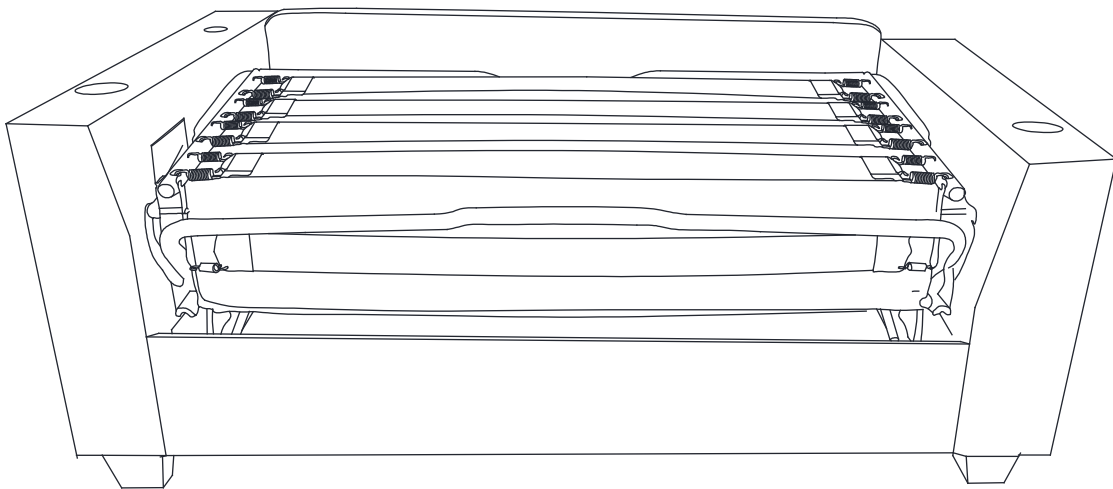
# Step 8



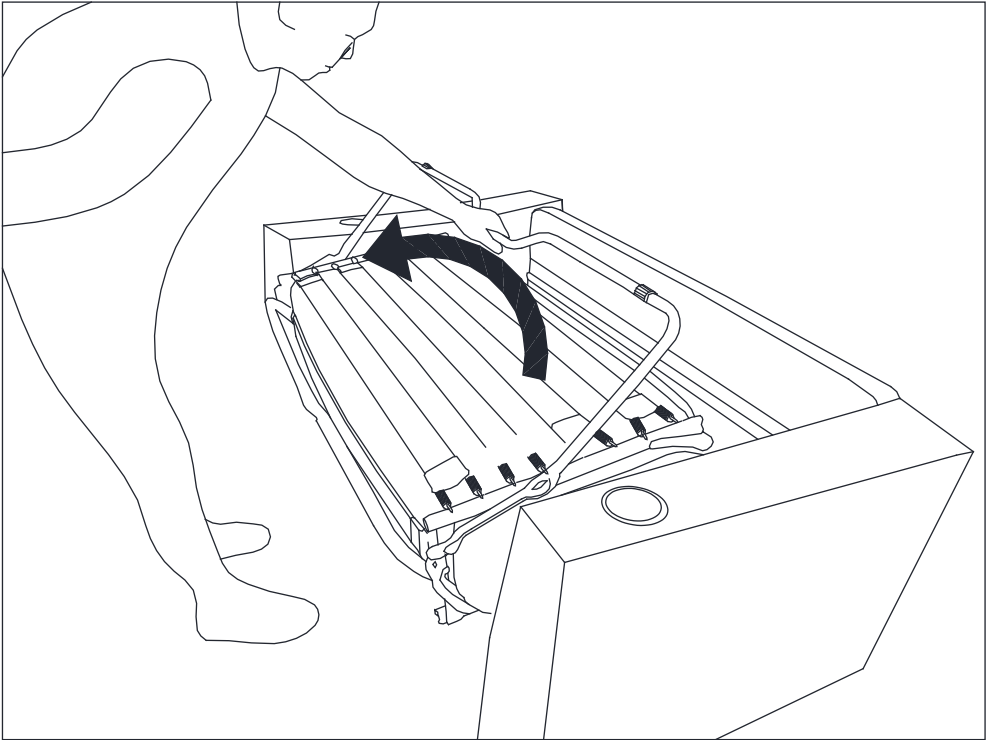
## Step 9



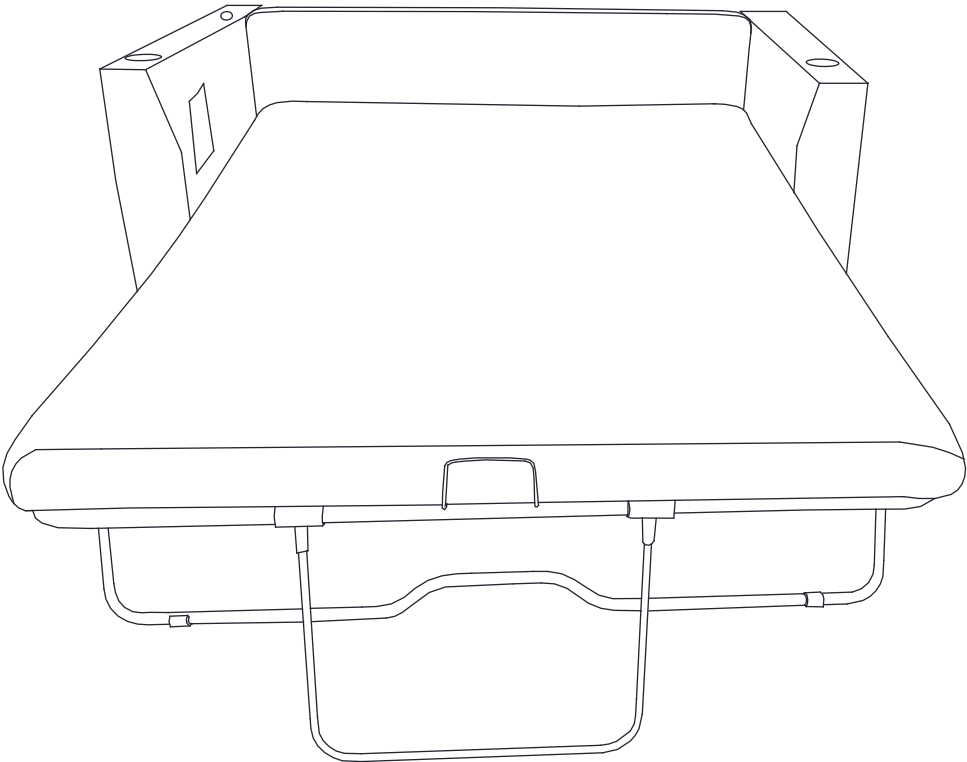
Fully tighten the remaining two screws "E" that are half exposed.  
Now the four screws "E" have been fully screwed and fixed.



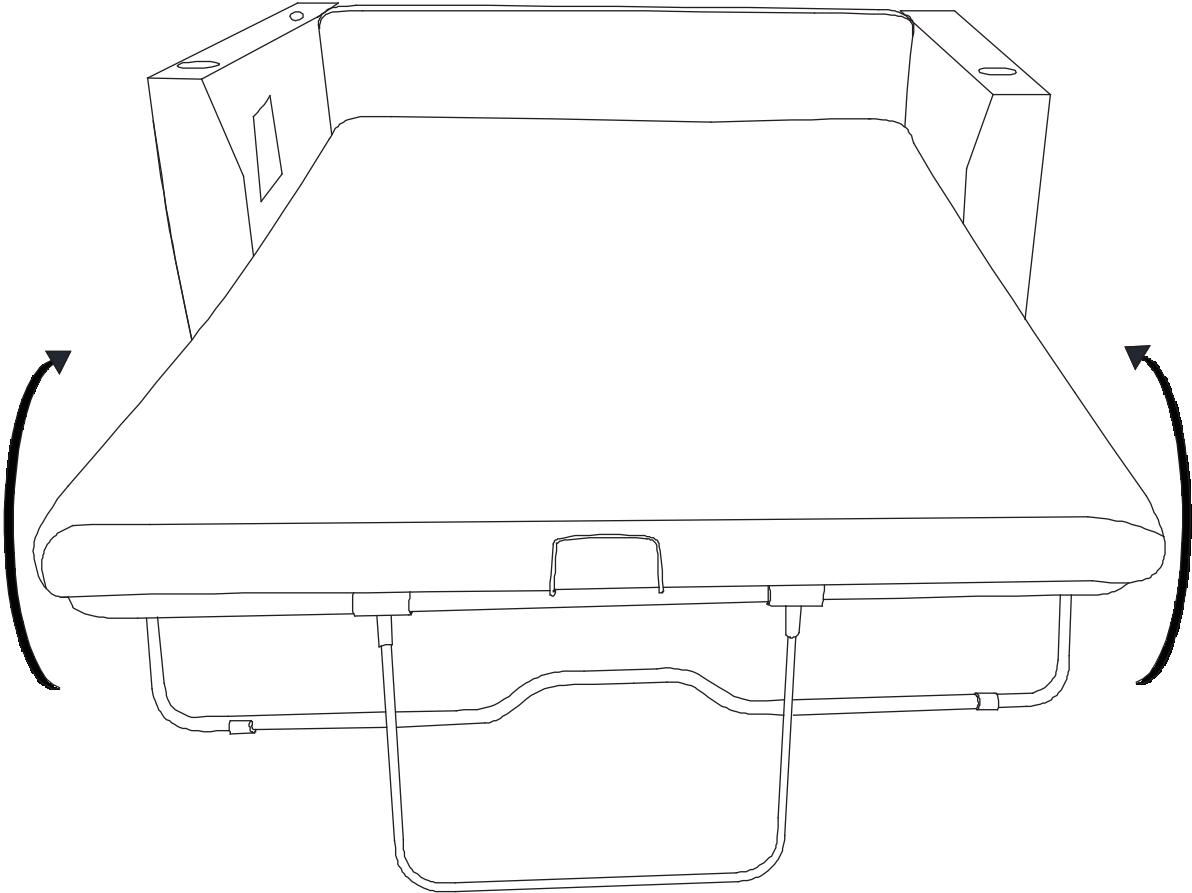
# Step 10



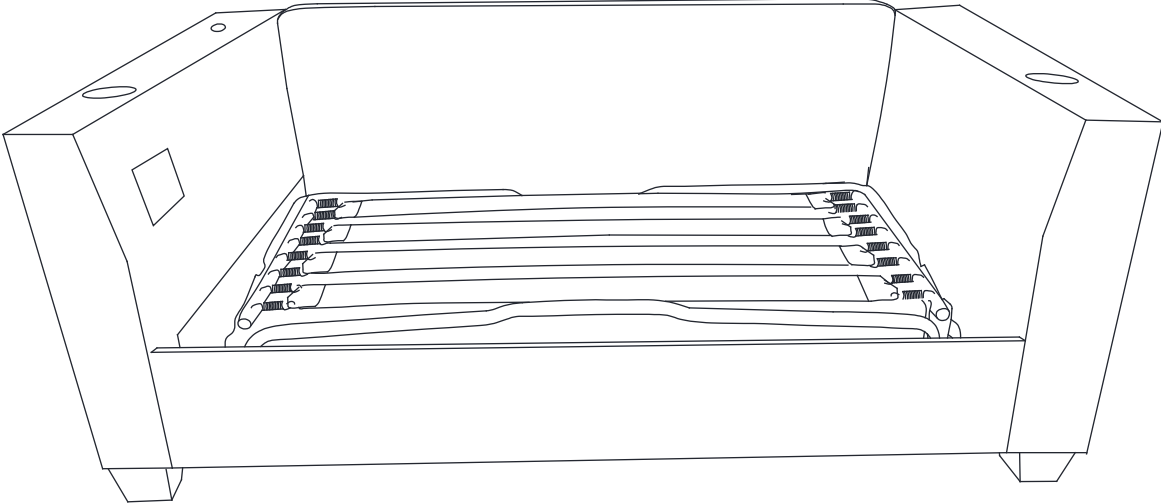
Hold the bar, pull forward and lay the bed frame flat to get **A SOFA BED!**



# Step 11

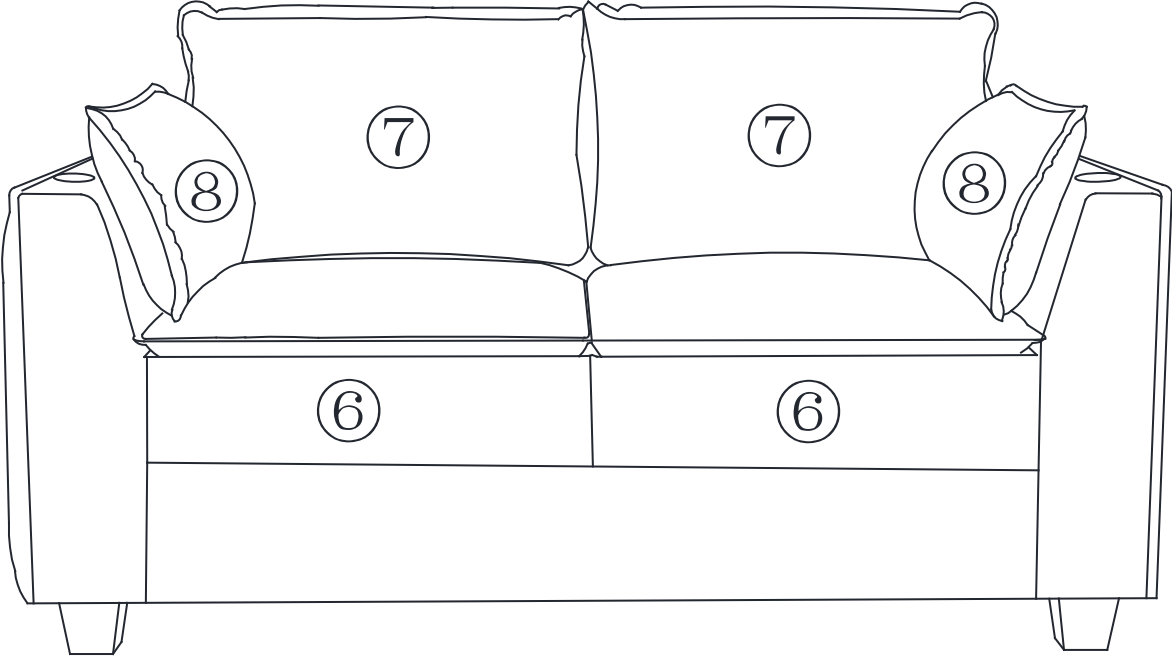


Put the bed frame away to save the space.



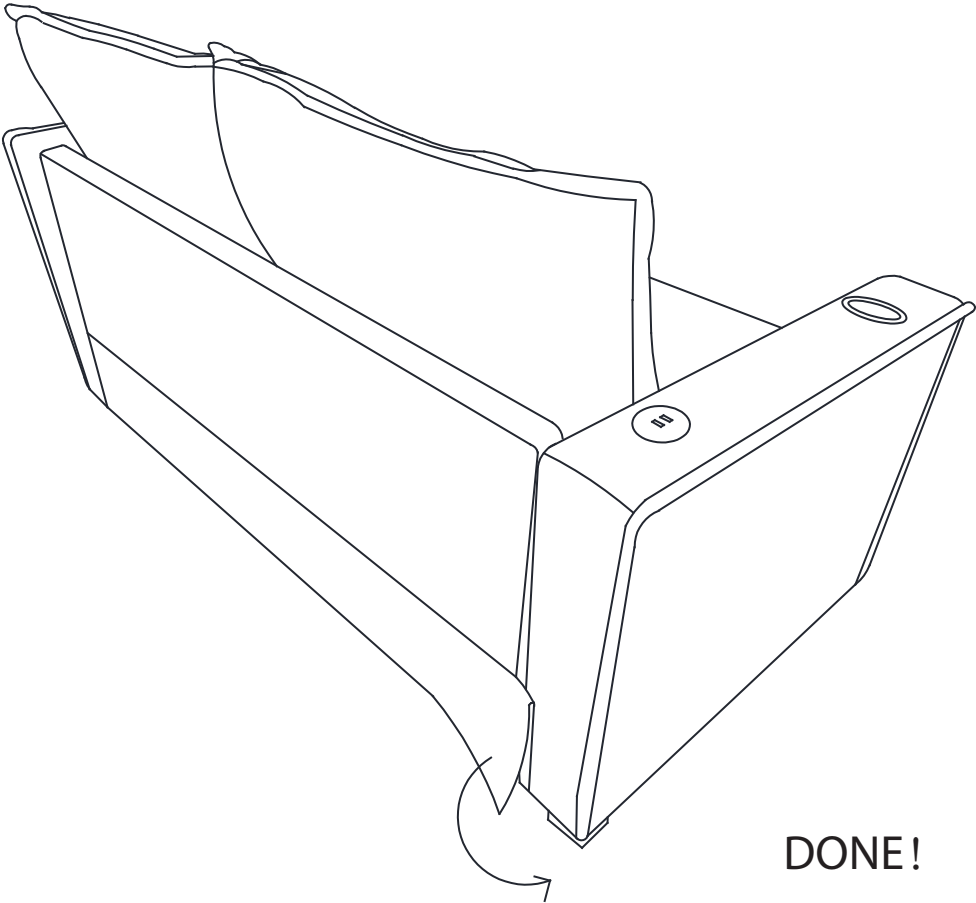
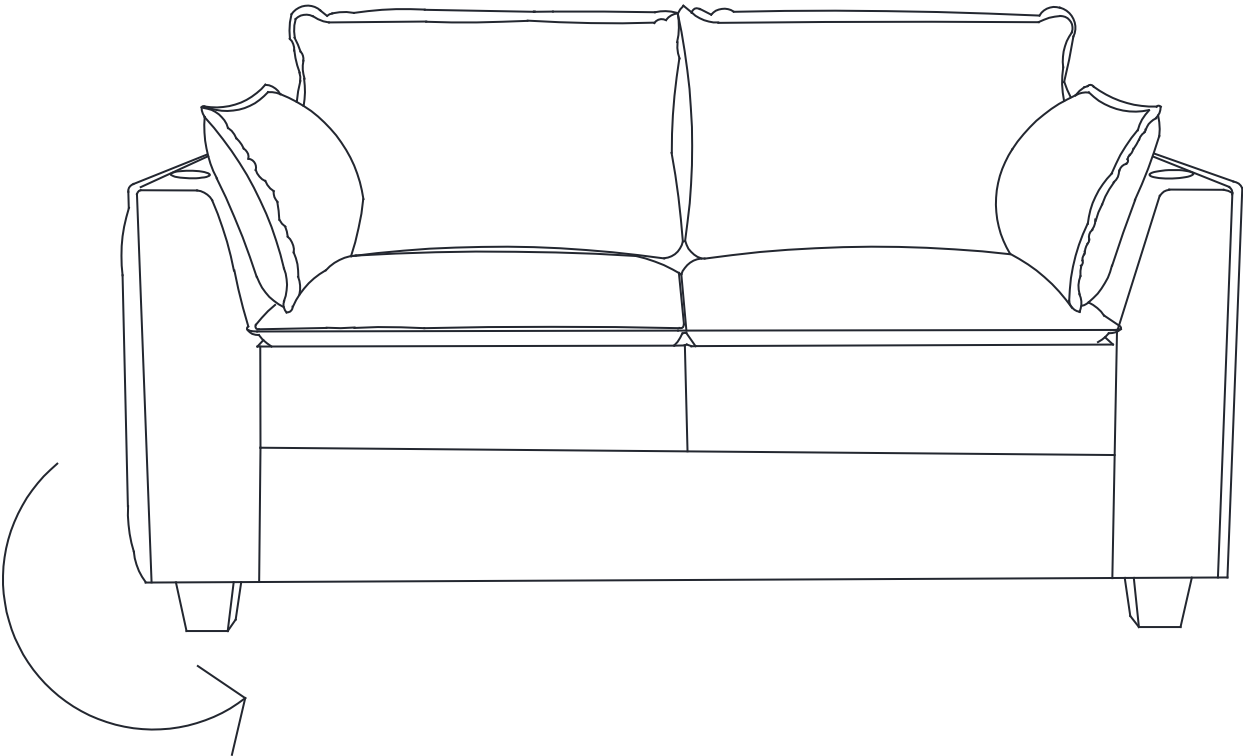
# Step 12

Place the Seat Cushions(⑥), Back Cushions(⑦) and Throw Pillows(⑧) on the folded bed frame to get **A NORMAL SOFA!**



# Step 13

Turn the sofa back and attach the velcro to complete the installation.



**DONE!**

## **Please Note**

The cushions have been vacuum packed for transportation purposes. After unpacking, please allow up to 72 hours so that they can return to their original shape.

## **Care Instructions**

1. Please check whether there are missing screws in the product regularly.
2. Please use a soft brush to gently clean it or use professional cleaning supplies. Do not use bleach or abrasive cleaner to wipe the product.
3. Please do not exceed the maximum weight-bearing capacity of the product. Exceeding this limit may cause damage to the product or pose a risk of personal injury.
4. Please do not allow the spill to stay on the surface for a long time.
5. Mats can be used to protect surfaces from moisture and heat.

## **Return Policy**

Please feel free to contact us with any questions on use, if for some reason you want to return the product, please make sure all the components are in undamaged condition, in their original box with all original proof of purchase and accessories. Otherwise, the return will be rejected.