

4 Pieces Wooden Conversation Set



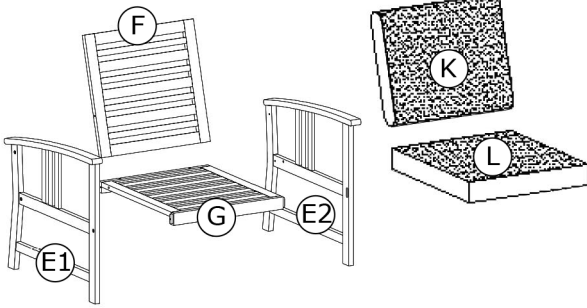
Before You Start

- ⚠ Please read all instructions carefully.
- ⚠ Retain instructions for future reference.
- ⚠ Separate and count all parts and hardware.
- ⚠ Read through each step carefully and follow the proper order.
- ⚠ We recommend that, where possible, all items are assembled near to the area in which they will be placed in use, to avoid moving the product unnecessarily once assembled.
- ⚠ Always place the product on a flat, steady and stable surface.
- ⚠ Keep all small parts and packaging materials for this product away from babies and children as they potentially pose a serious choking hazard.

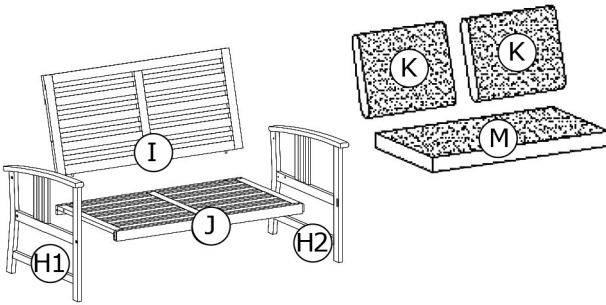


Return / Damage Claim Instructions

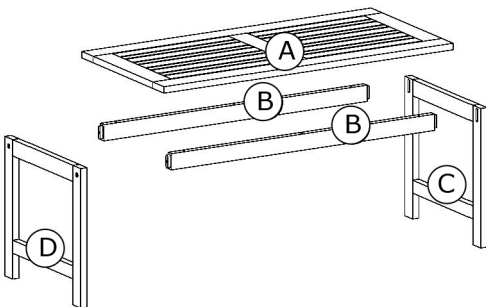
- ⚠ **DO NOT discard the box / original packaging.**
In case a return is required, the item must be returned in original box. Without this your return will not be accepted.
- ⚠ **Take a photo of the box markings.**
A photo of the markings (text) on the side of the box is required in case a part is needed for replacement. This helps our staff identify your product number to ensure you receive the correct parts.
- ⚠ **Take a photo of the damaged part (if applicable).**
A photo of the damage is always required to file a claim and get your replacement or refund processed quickly. Please make sure you have the box even if it is damaged.
- ⚠ **Send us an email with the images requested.**
Email us directly from marketplace where your item was purchased with the attached images and a description of your claim.



x2



x1



x1

(A)

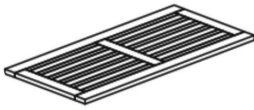


Table top x1

(B)



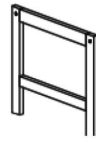
Tabletop support bar x2

(C)



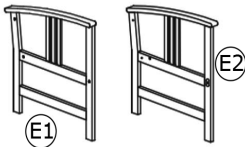
Frame leg right x1

(D)



Frame leg left x1

(E)



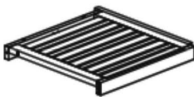
Frame leg (left+right) x4

(F)



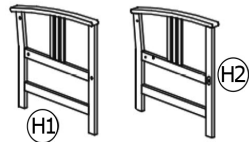
Single chair back frame x2

(G)



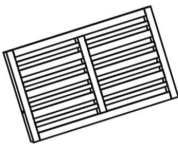
Single chair seat frame x2

(H)



Frame leg (left+right) x2

(I)



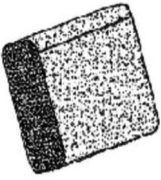
Loveseat back frame x1

(J)



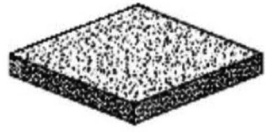
Loveseat seat frame x1

(K)



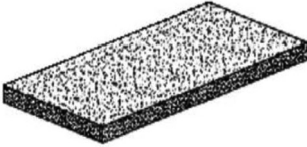
Back cushion x4

(L)



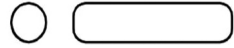
Single chair seat cushion x2

(M)



Loveseat cushion x1

(1)



CGΦ 10X20 x10

(2)



Screw M7 x 50mm
x6

(3)



Screw M7 x 60mm
x16

(4)



Screw M4 x 55 mm
x6

(5)



Bolt M6 x 60 mm
x2

(6)

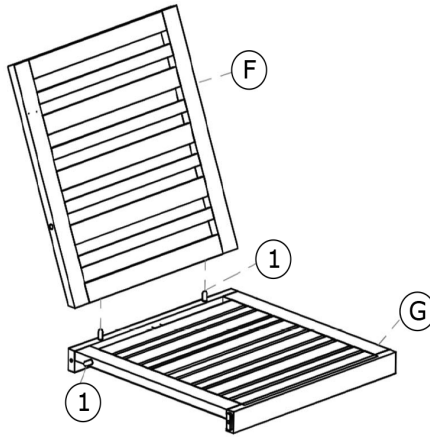
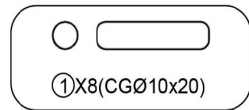


Allen Key x1

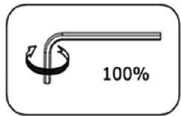
1

Please don't fasten the screw completely during assembly process. It will be likely to lead to an assembling problem that screw hole position is not aligned.

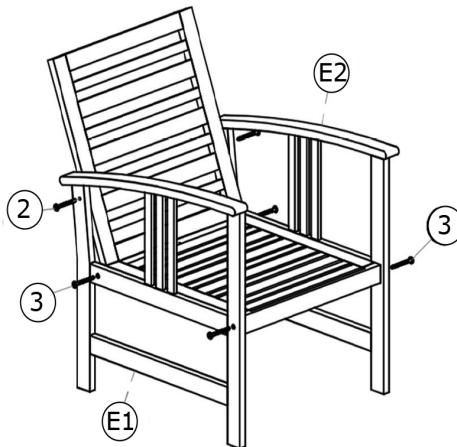
You can fasten completely when all parts have been assembled.



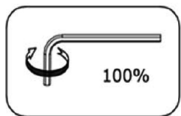
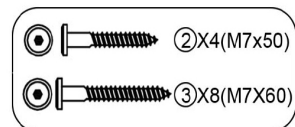
X 2



2

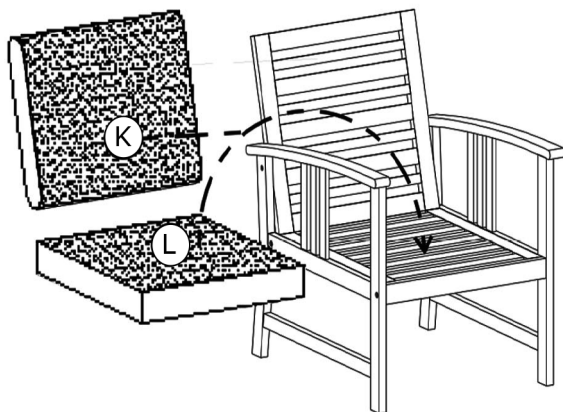


X 2



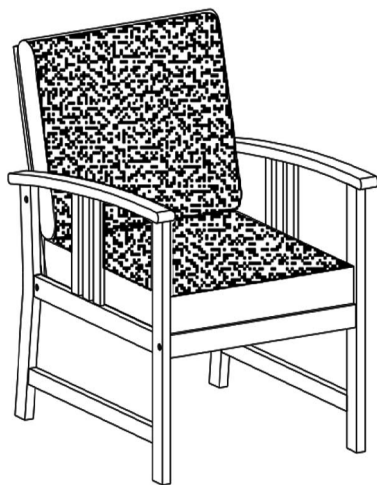
3

X 2

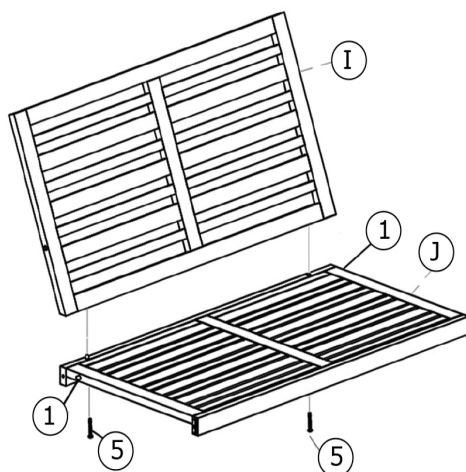


4

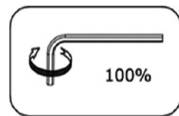
X 2



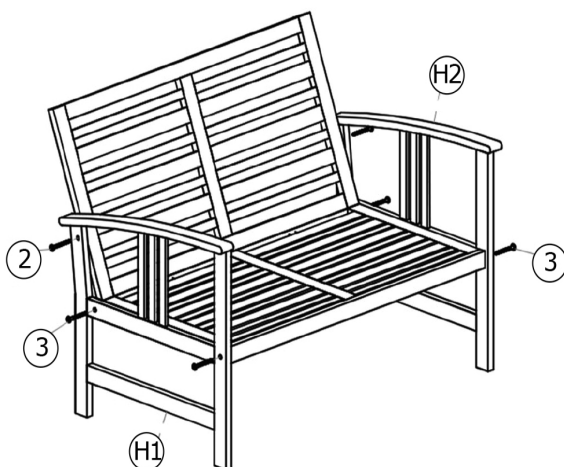
5



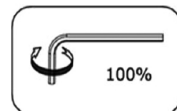
- ①X2(CGØ10x20)
- ⑤X2(M6X60)



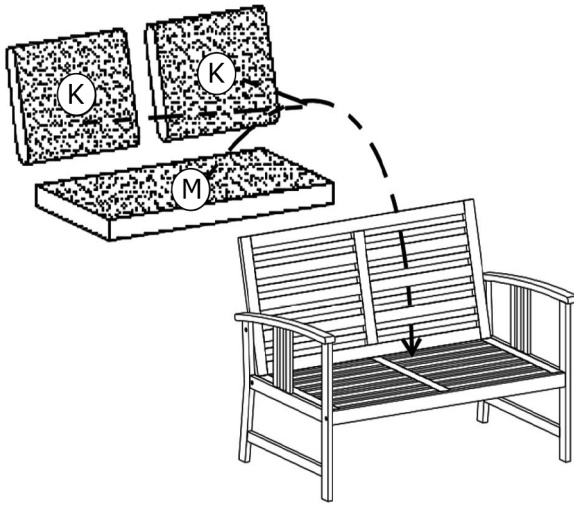
6



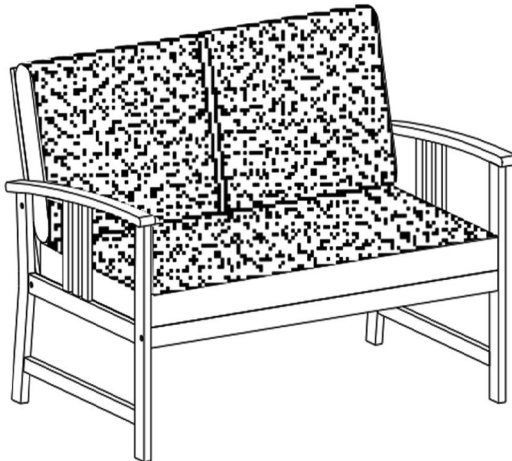
- ②X2(M7x50)
- ③X4(M7X60)



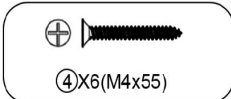
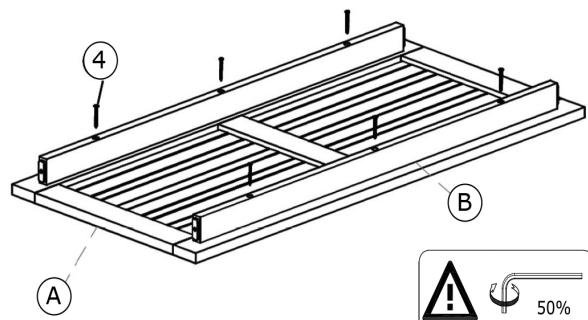
7



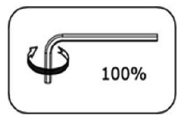
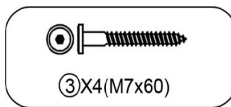
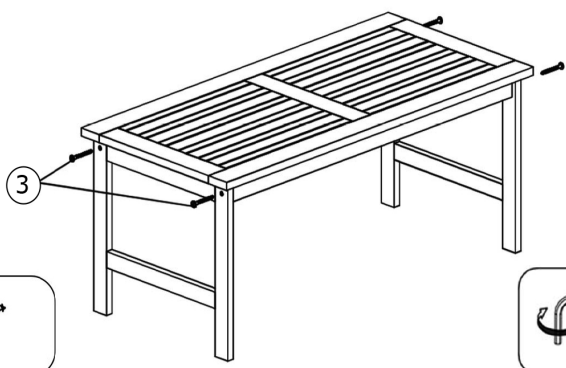
8



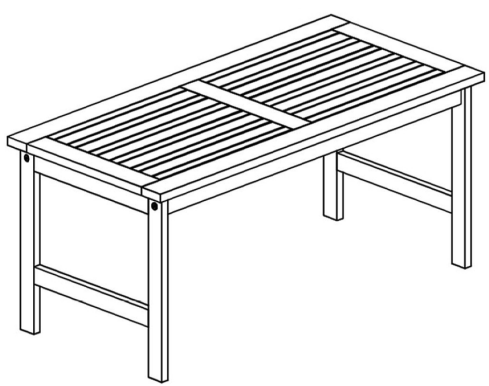
9



10



11



DONE