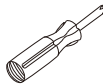


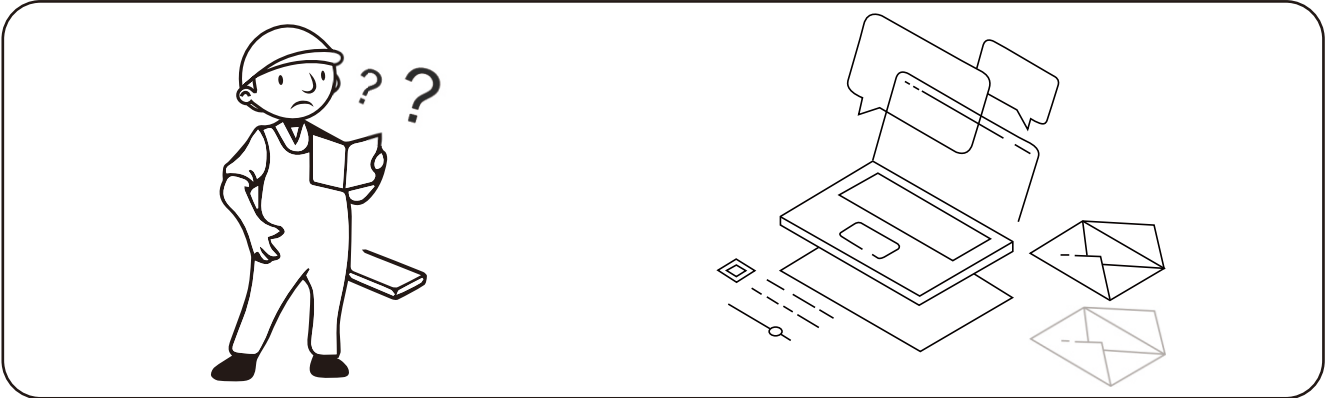
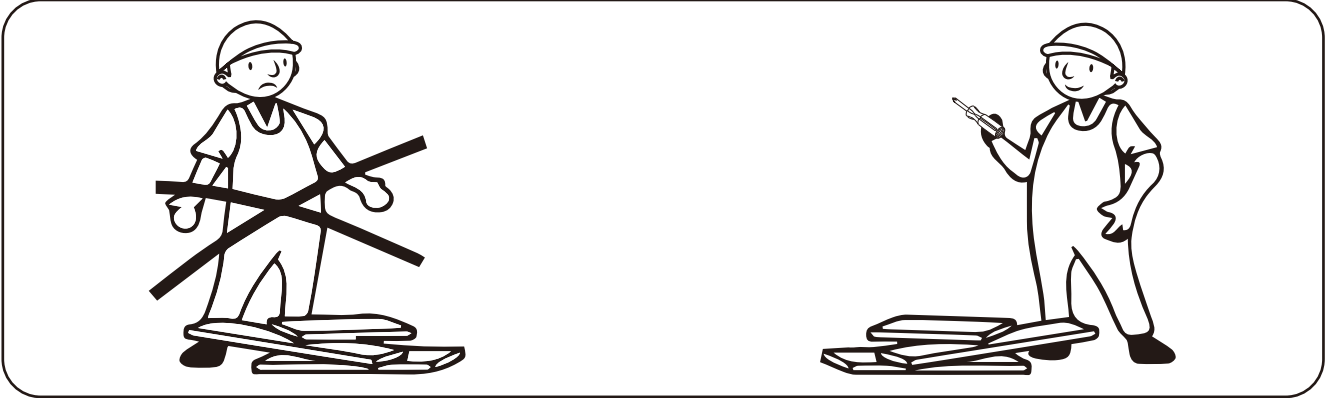
INSTALLATION MANUAL



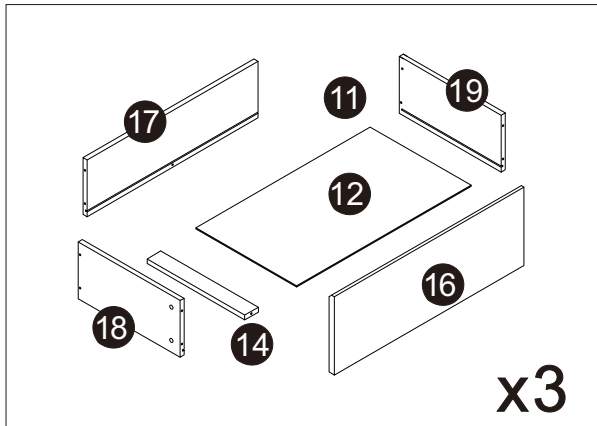
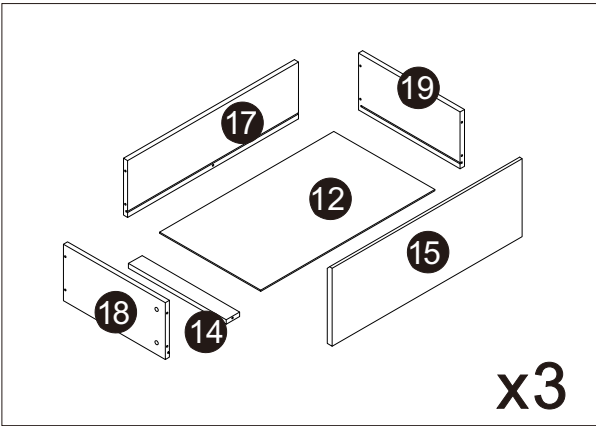
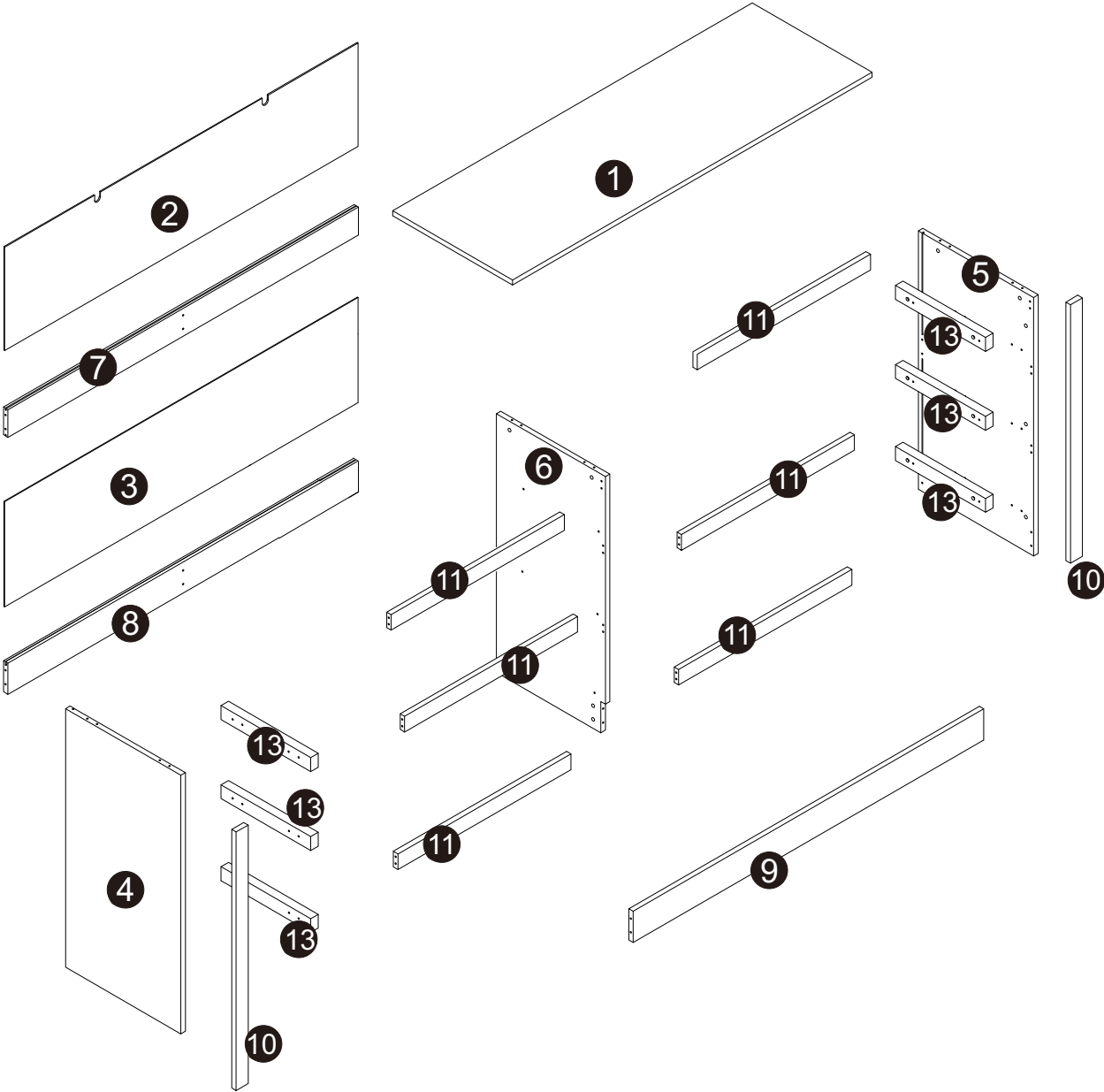
*Guests need to prepare their own

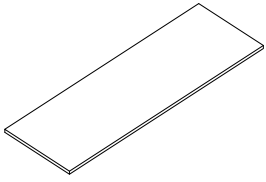


Phillips screwdriver

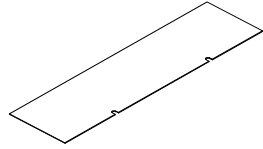


PARTS

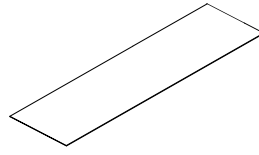




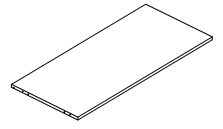
① x1PC



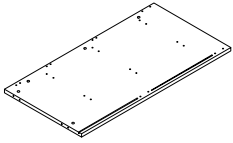
② x1PC



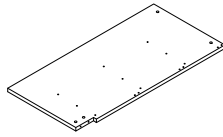
③ x1PC



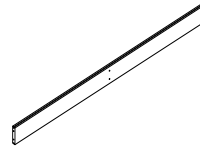
④ x1PC



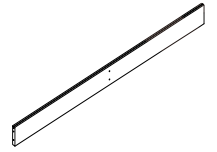
⑤ x1PC



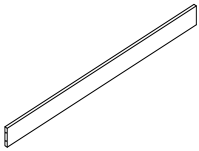
⑥ x1PC



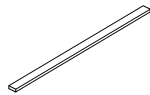
⑦ x1PC



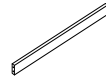
⑧ x1PC



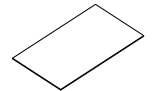
⑨ x1PC



⑩ x2PCS



⑪ x6PCS



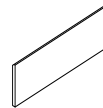
⑫ x6PCS



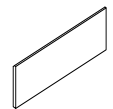
⑬ x6PCS



⑭ x6PCS



⑮ x3PCS



⑯ x3PCS



⑰ x6PCS



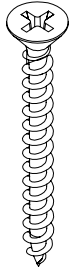
⑱ x6PCS



⑲ x3PCS



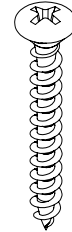
(A) 68x(+6)



(B) 4x



(C) 38x(+4)



(D) 42x(+5)



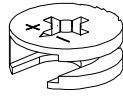
(E) 8x(+1)



(F) 72x(+6)

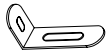


(G) 2x



(H) 68x(+6)

Scale 1 : 1



(I) 2x



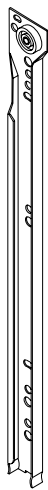
(J) 8x(+1)



(K) 2x



(CL) 6x




(CR) 6x



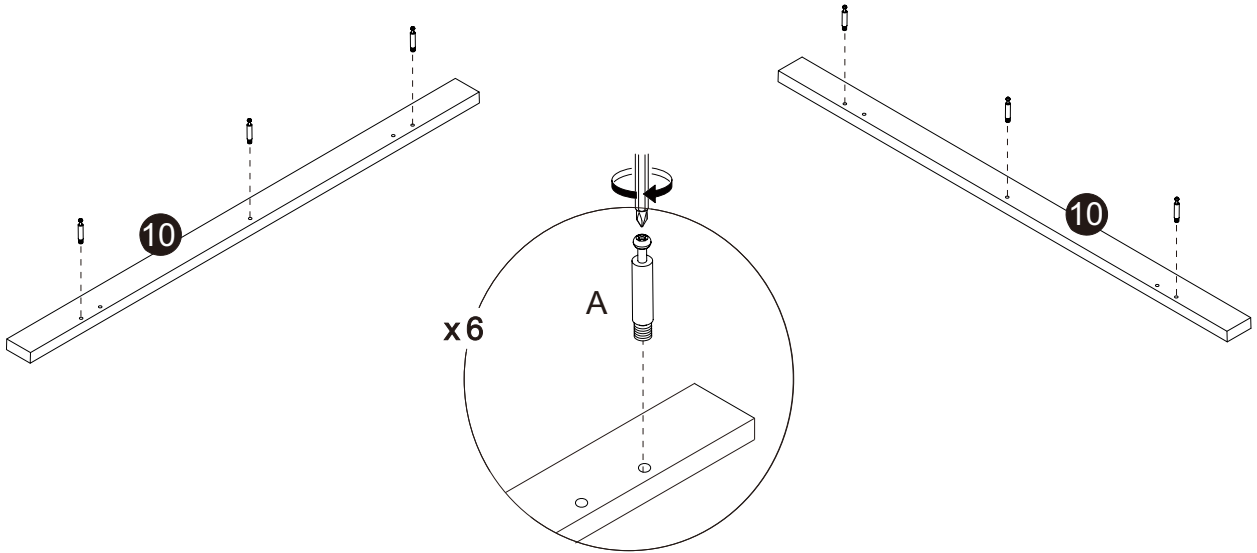
(DL) 6x





(DR) 6x

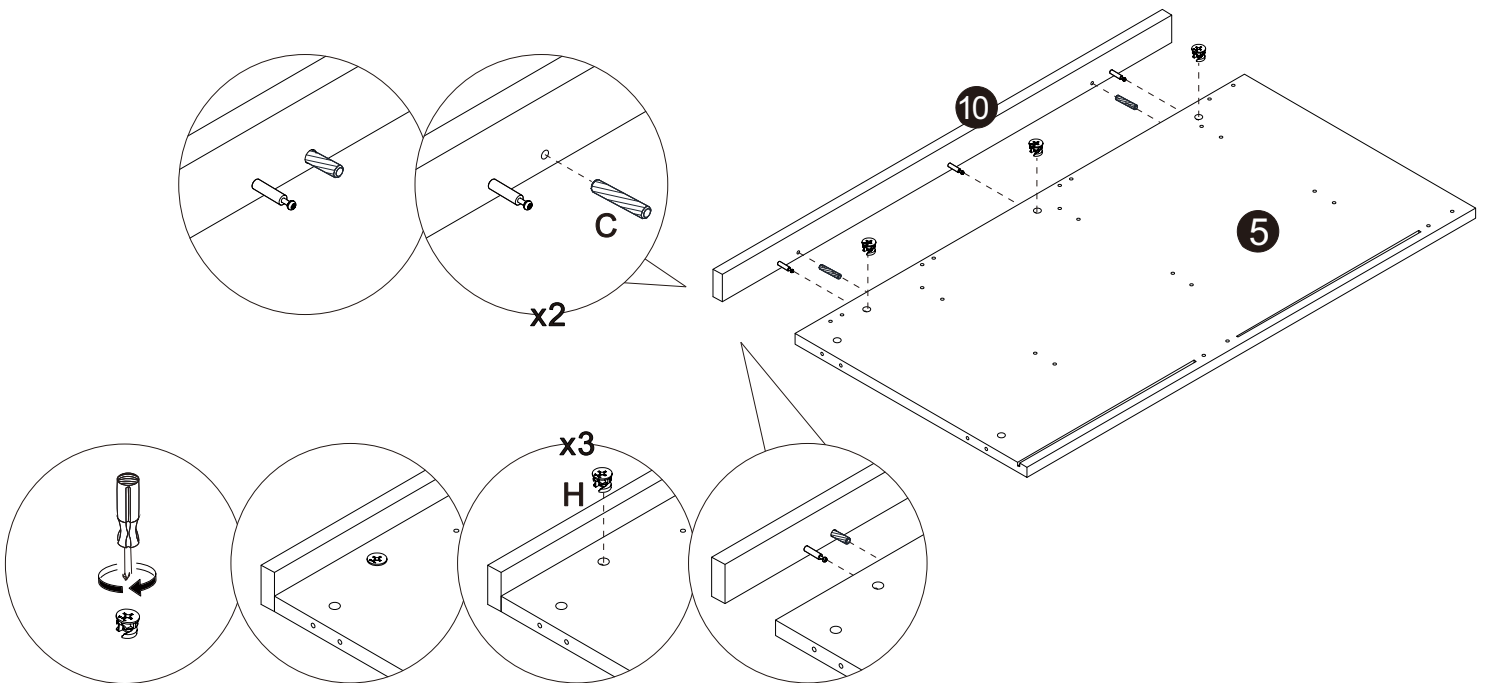
A	 M6x35	6
---	--	---


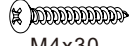
1



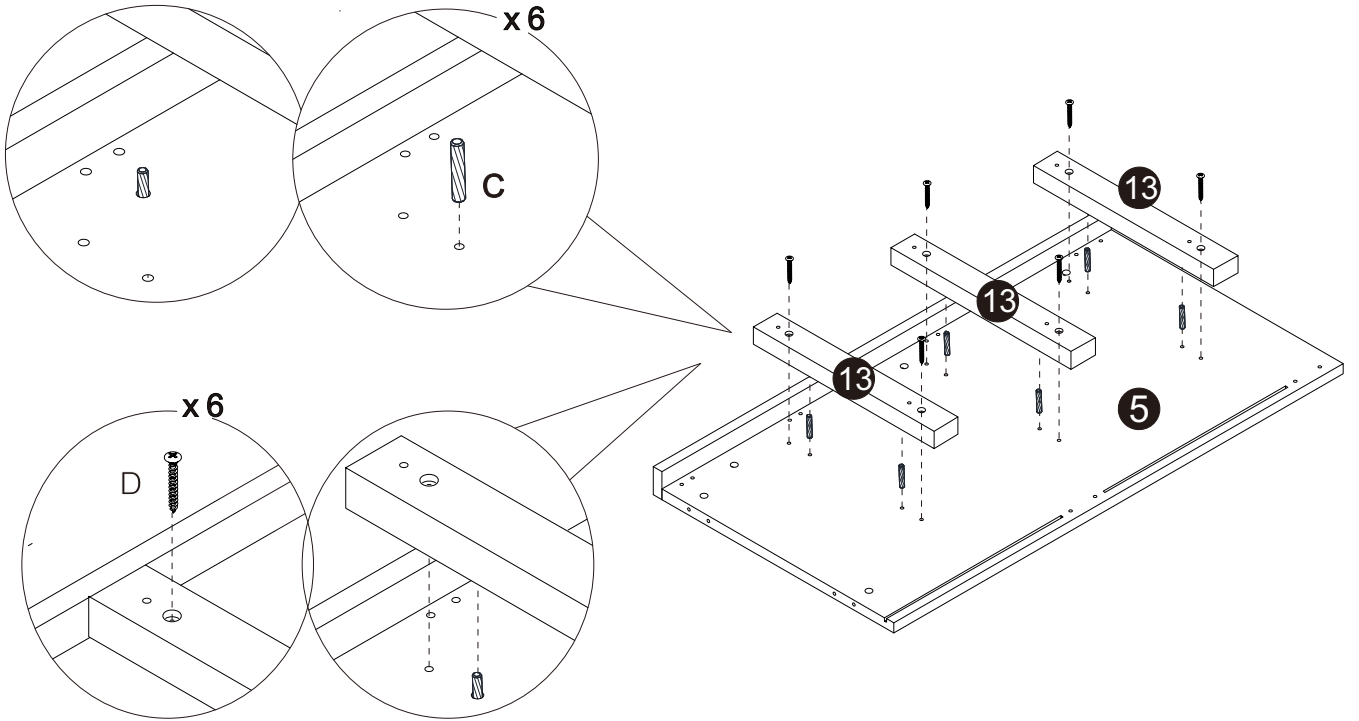
C	 M6x30	2
H		3

2



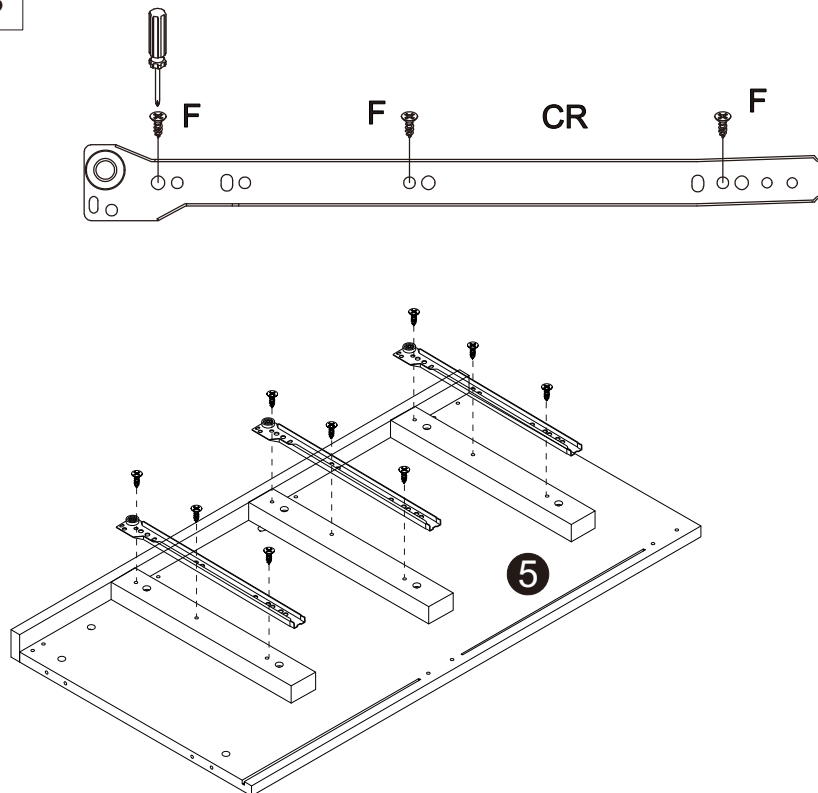
C	 M6x30	6
D	 M4x30	6


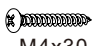
3



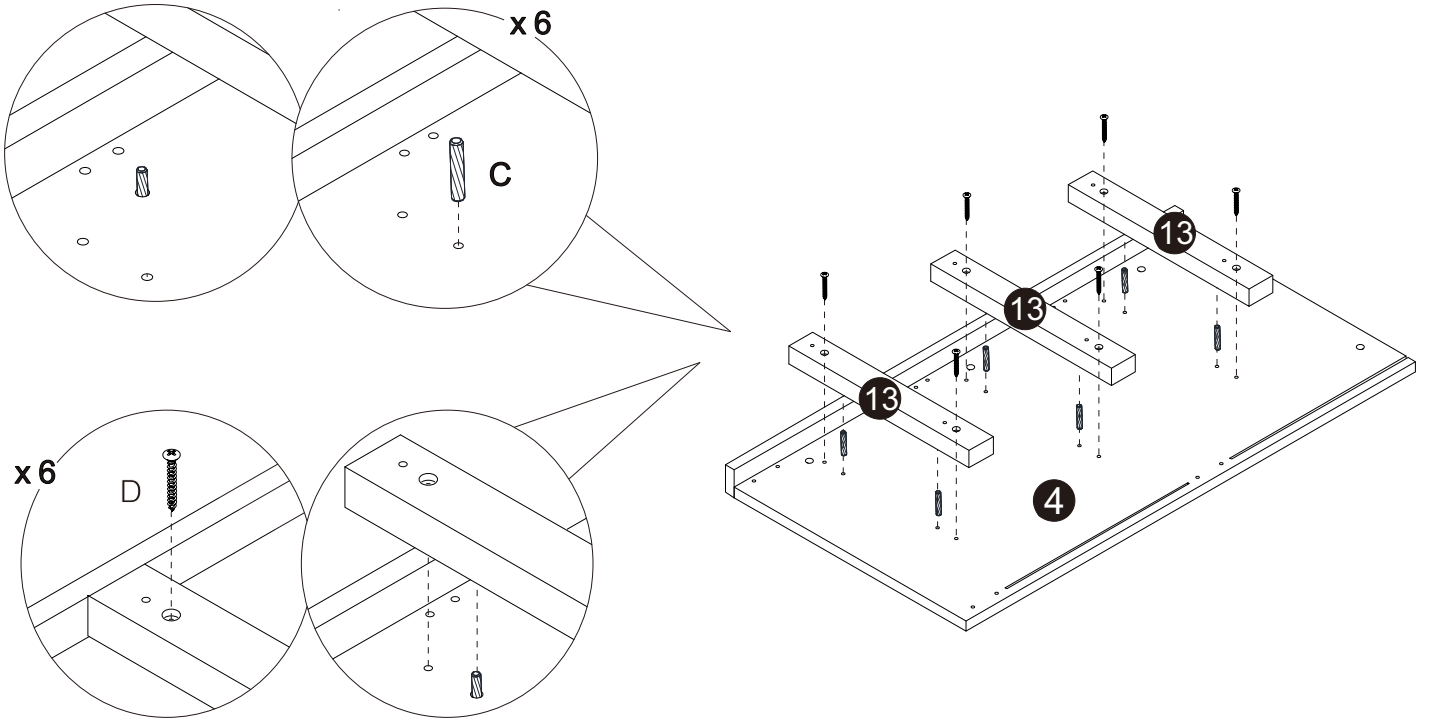
F	 M3x12	9
CR		3



4



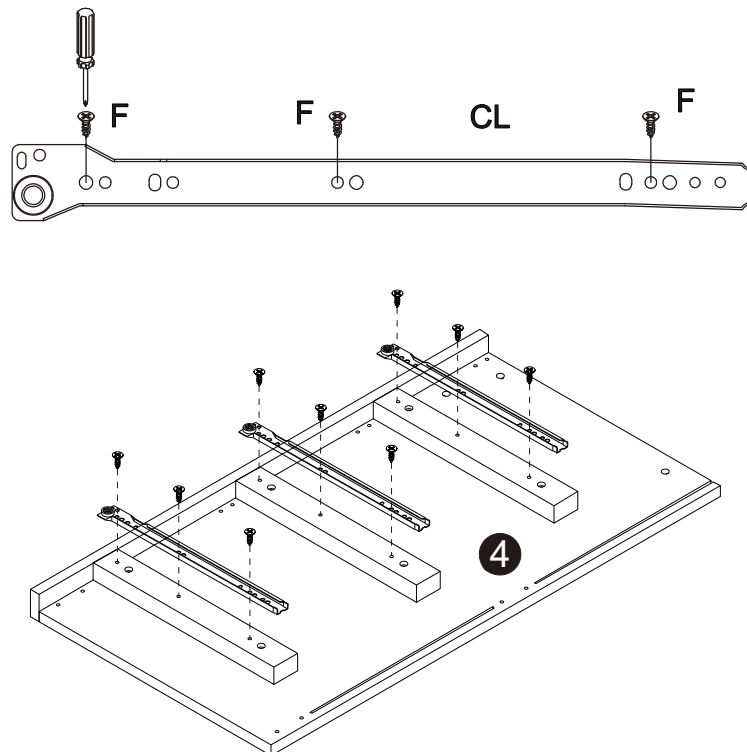
C	 M6x30	6
D	 M4x30	6

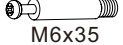
7



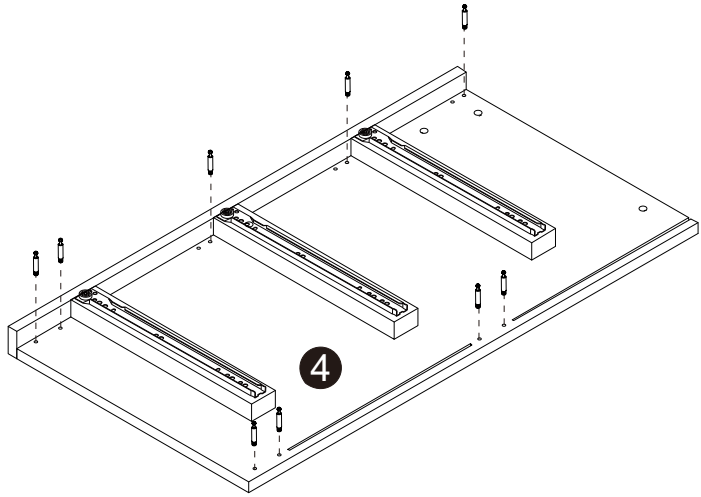
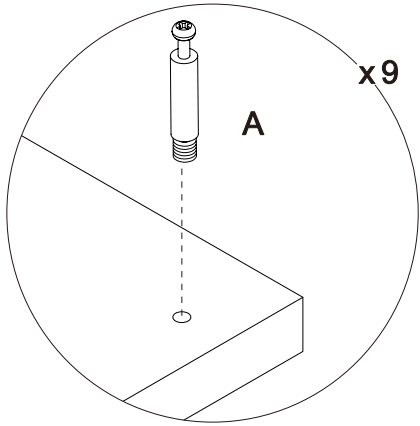
F	 M3x12	9
CL		3



8



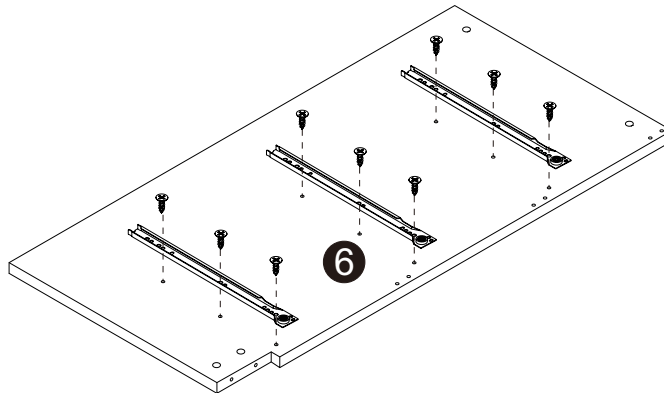
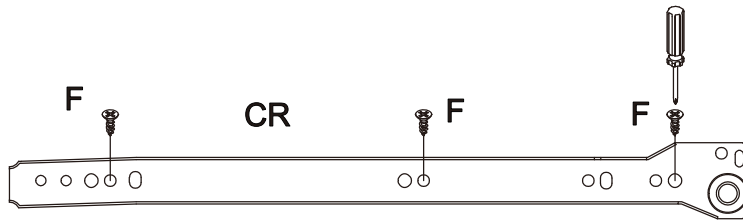
A	 M6x35	9
---	--	---

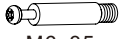
9



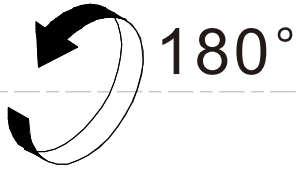
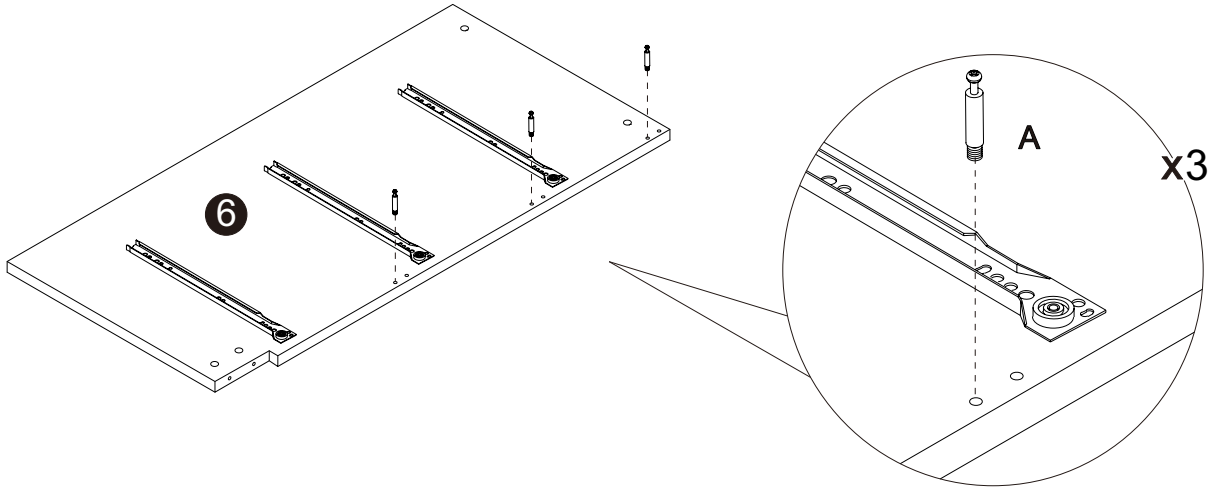
F	 M3x12	9
CR		3



10



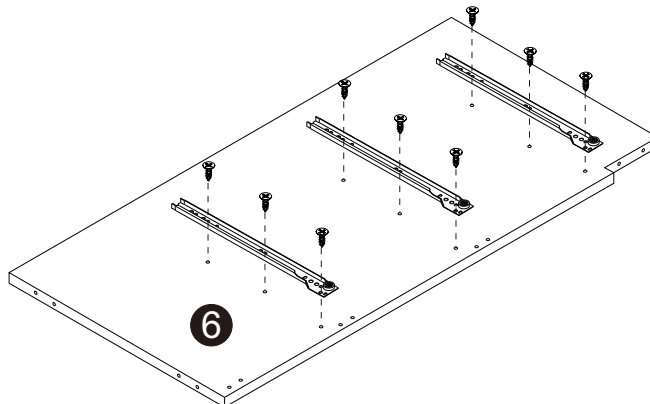
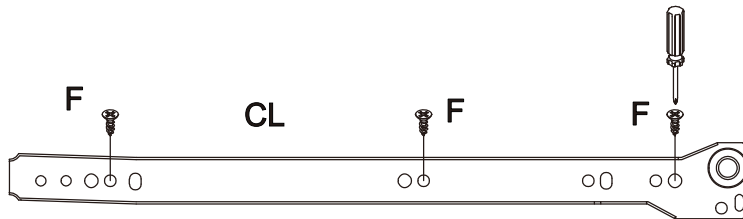
A	 M6x35	3
---	--	---

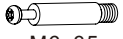
11



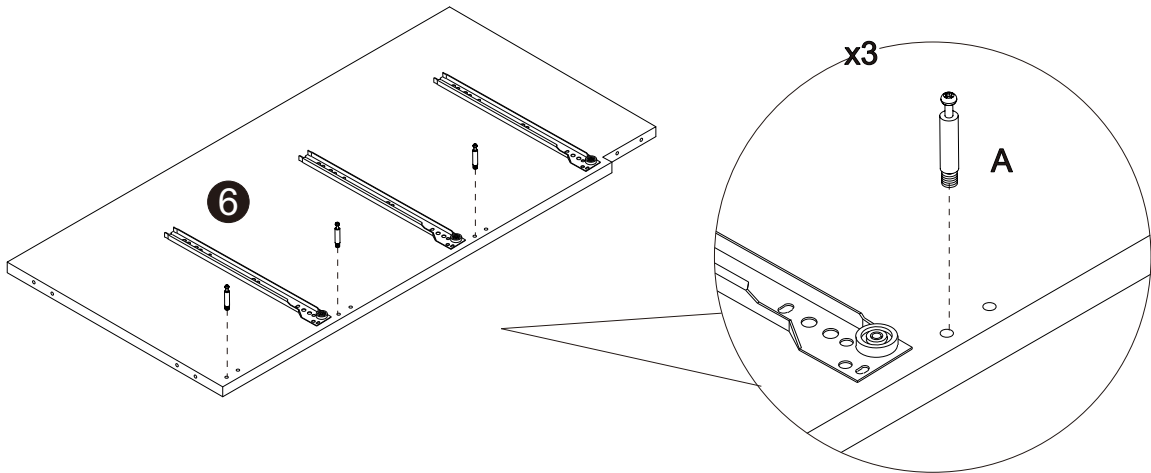
F	 M3x12	9
CL		3


12



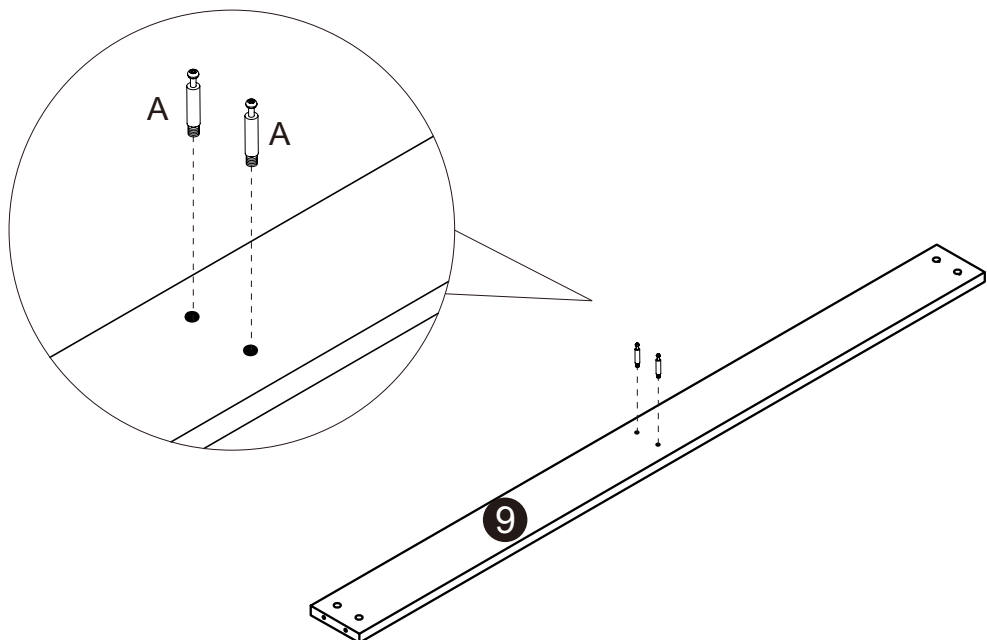
A	 M6x35	3
---	--	---

13



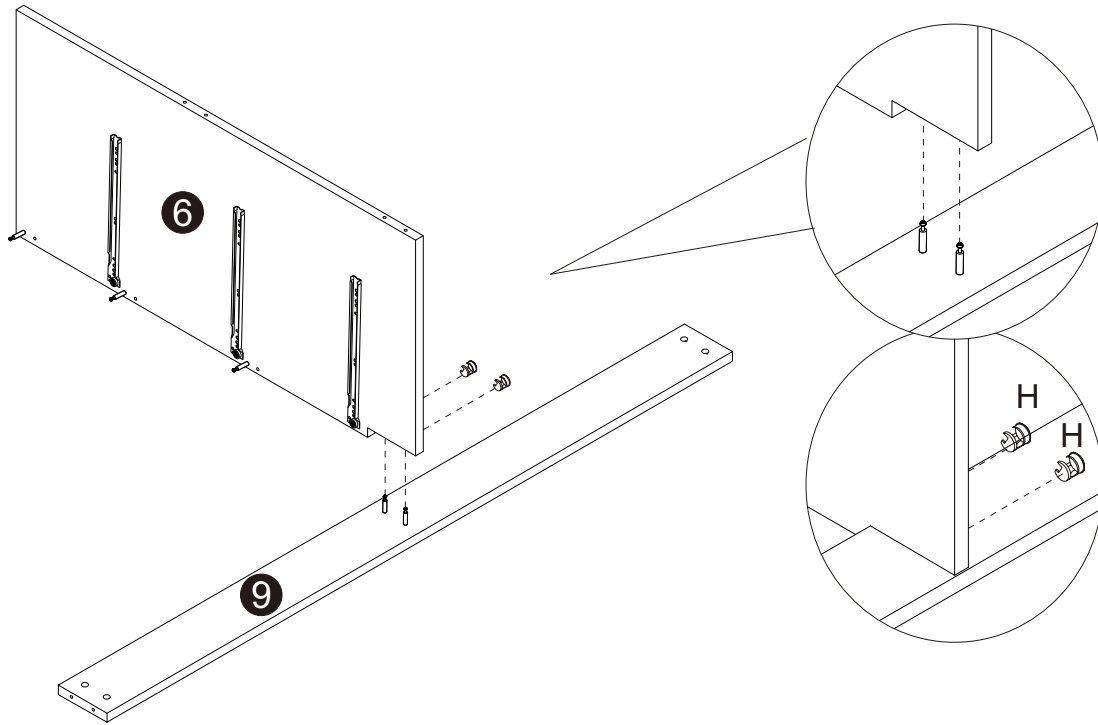
A	 M6x35	2
---	--	---



14



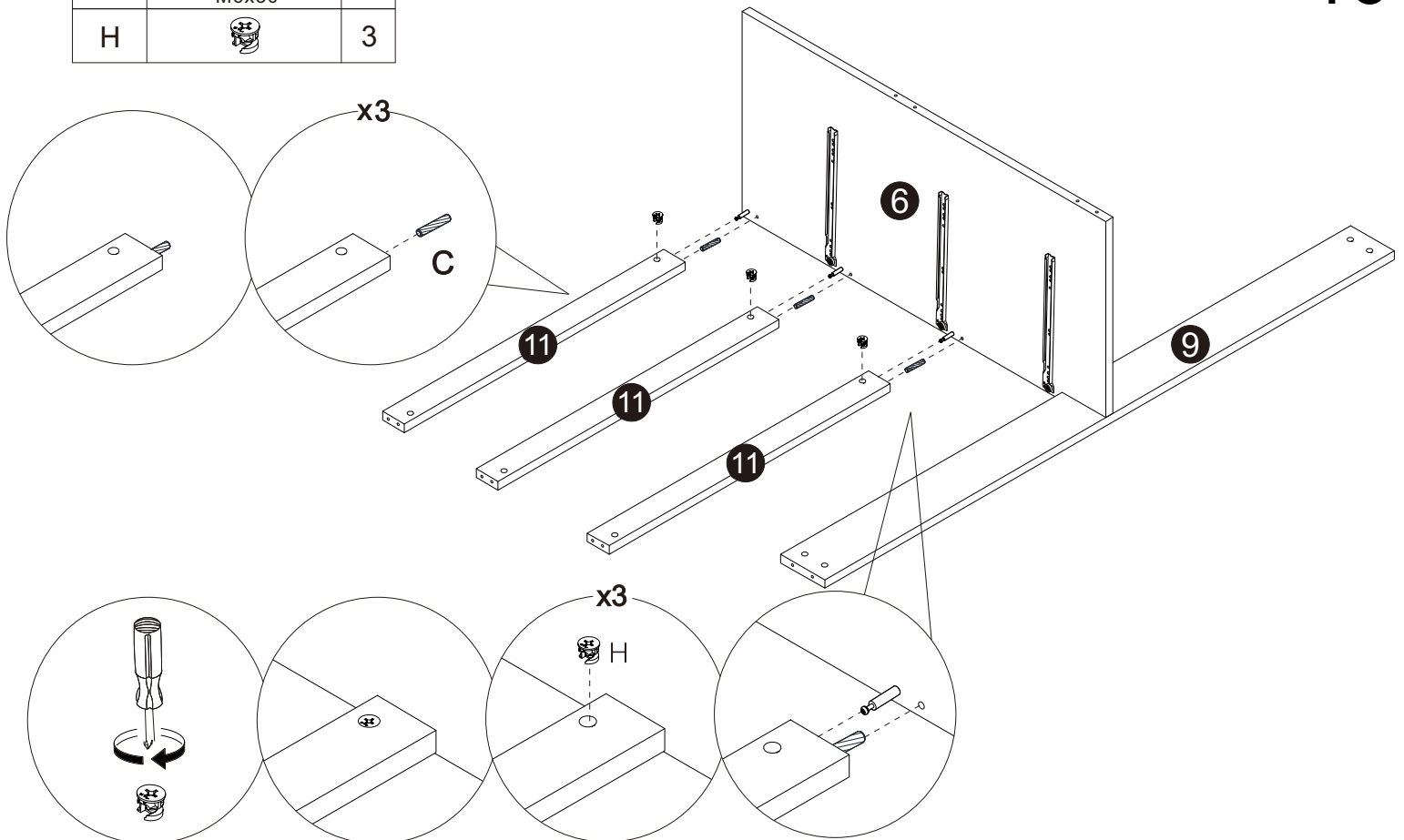
H		2
---	---	---

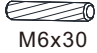

15

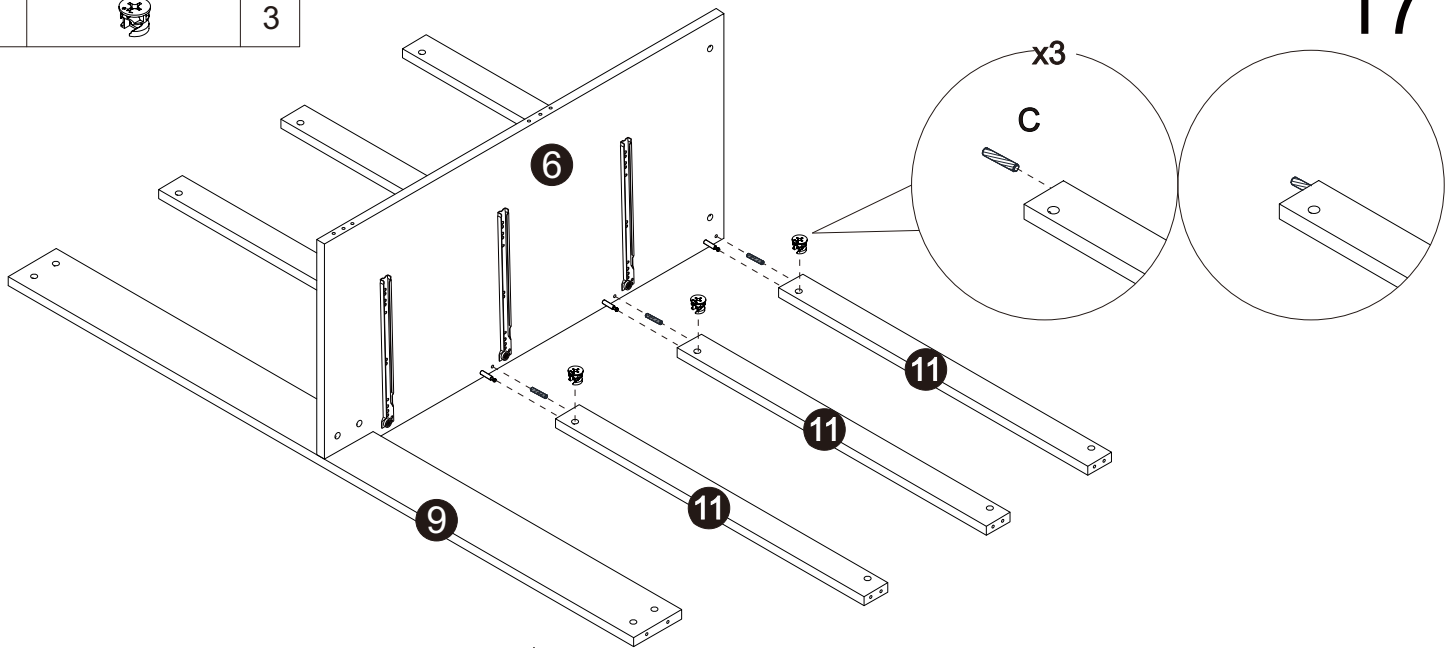


C	 M6x30	3
H		3

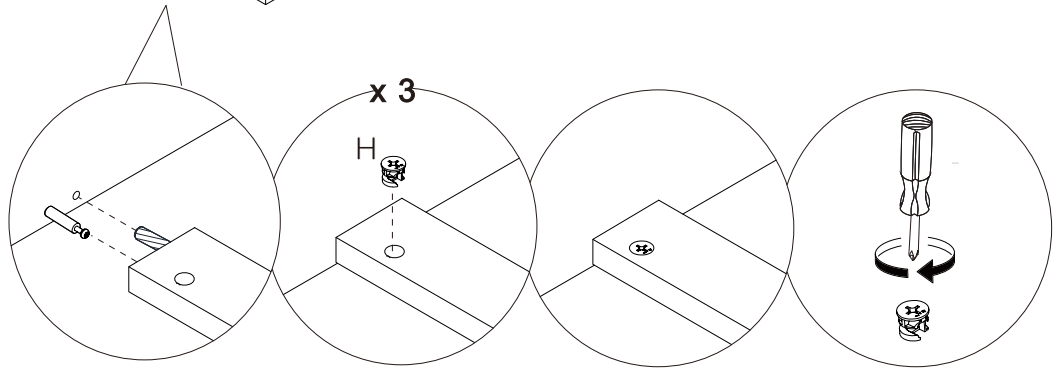
16





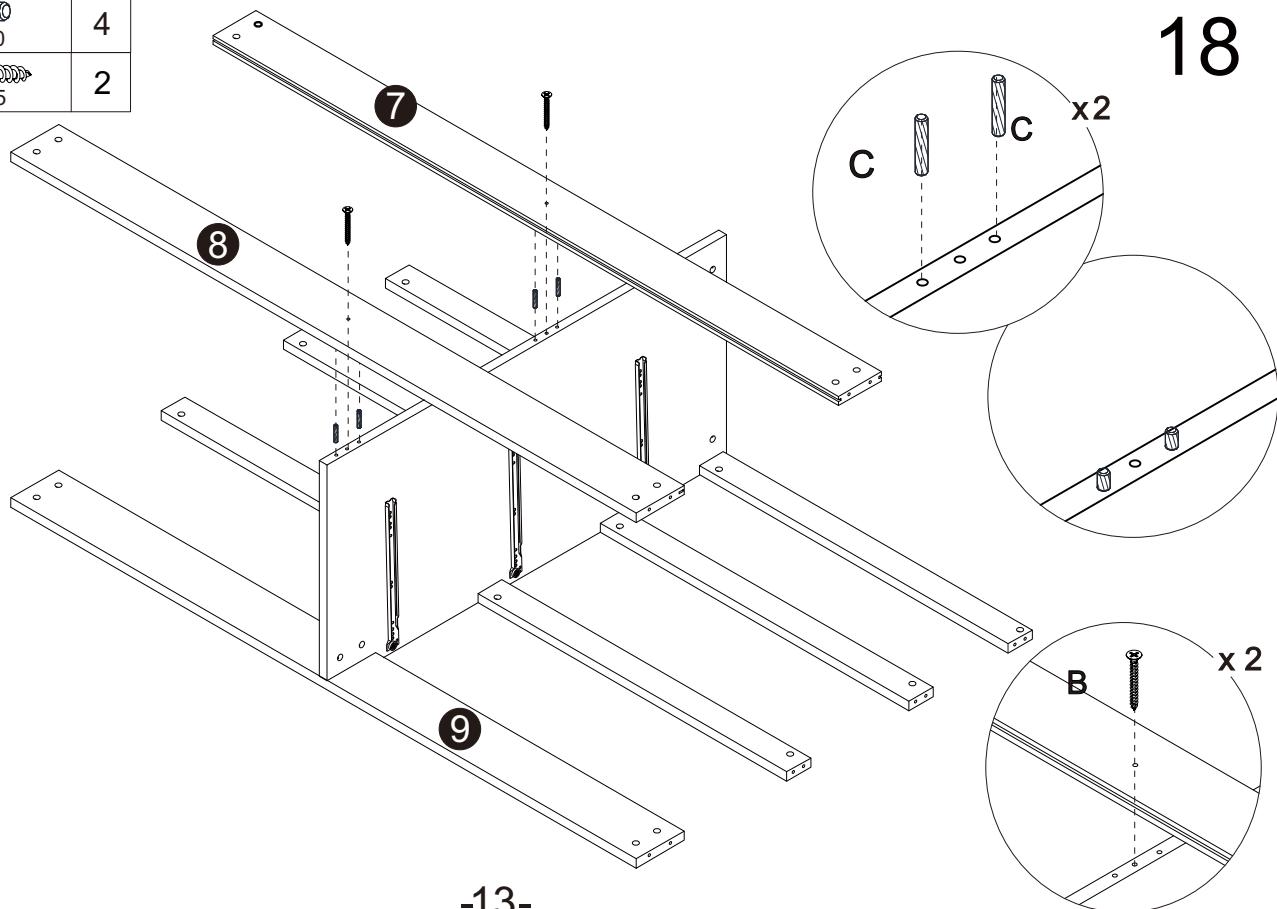
C	 M6x30	3
H		3





17



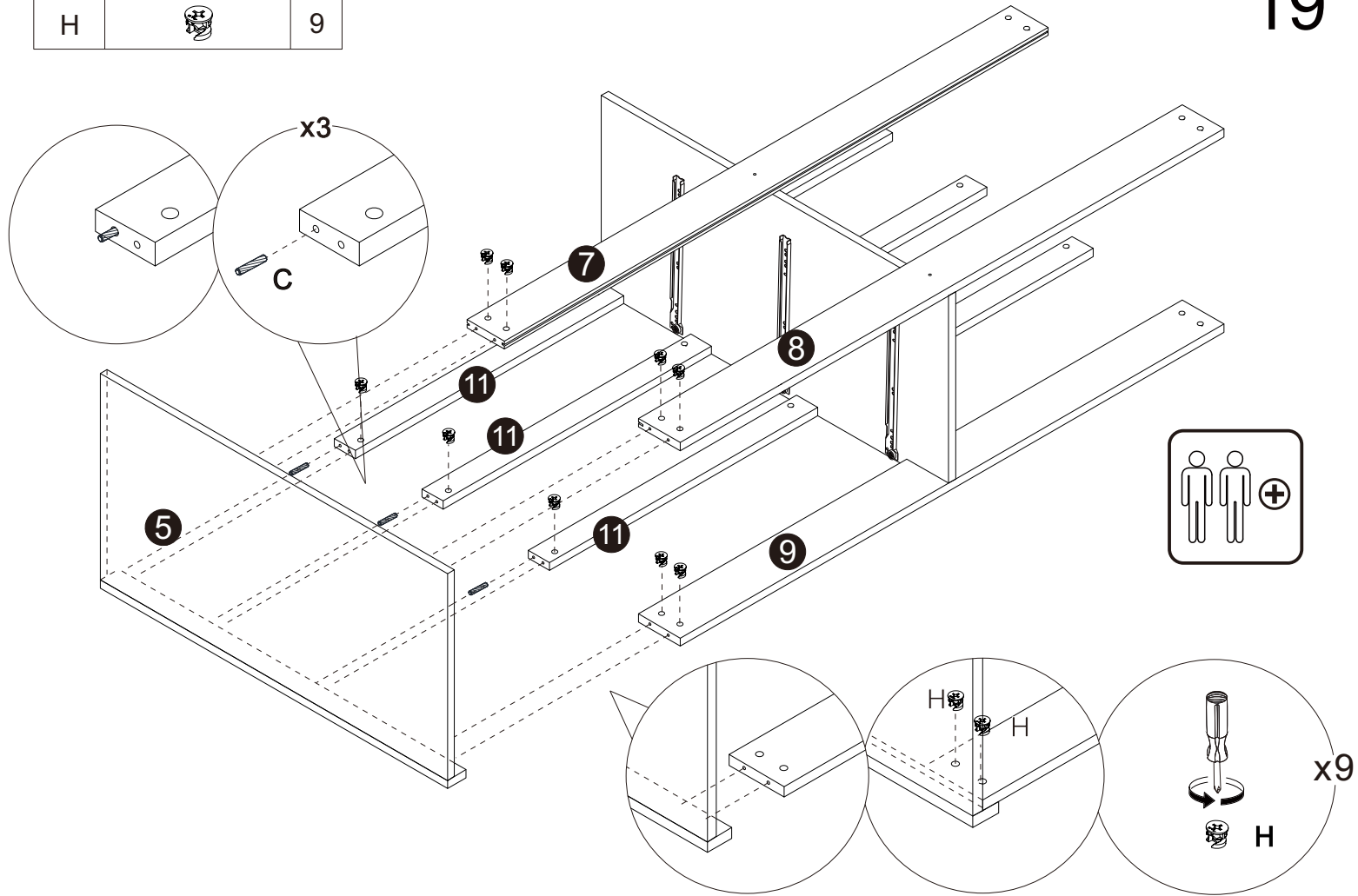
C	 M6x30	4
B	 M4x35	2



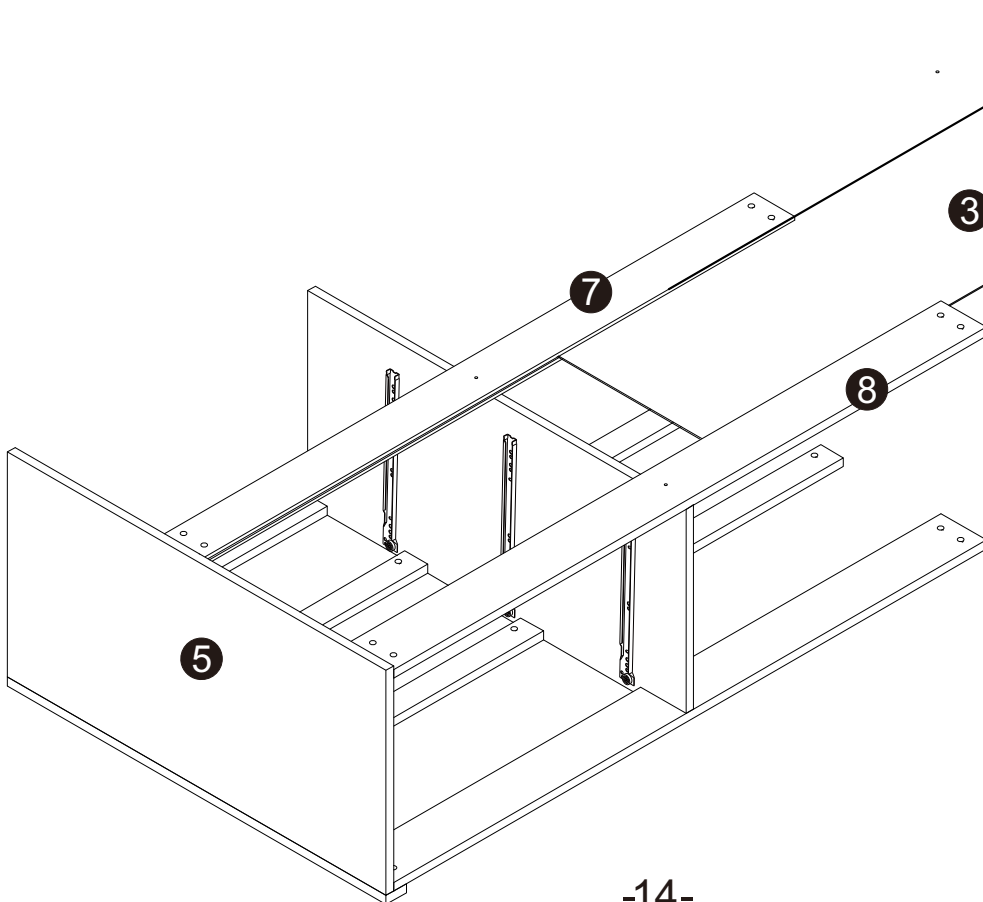
18



C		2
H		9

19



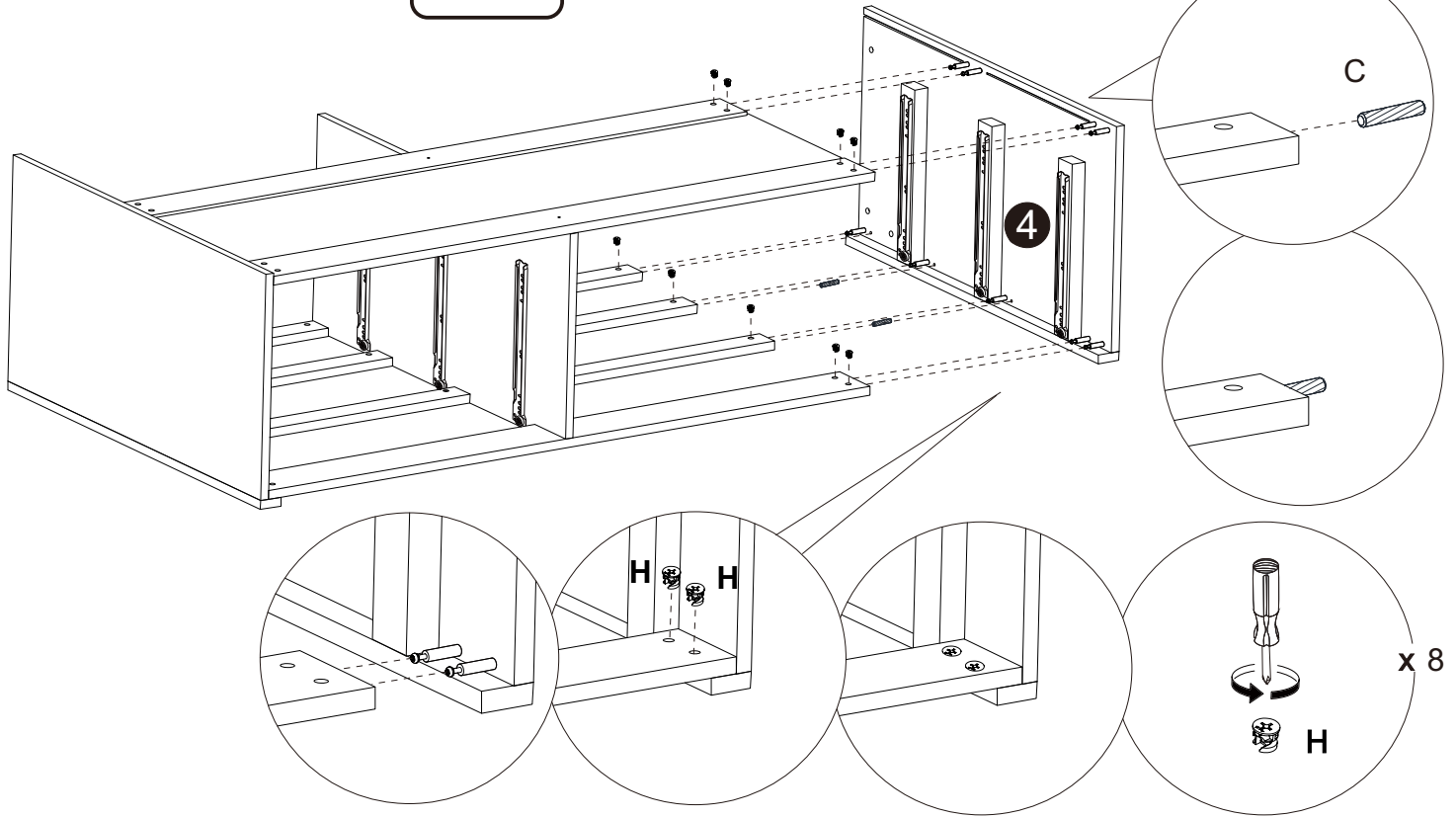
20



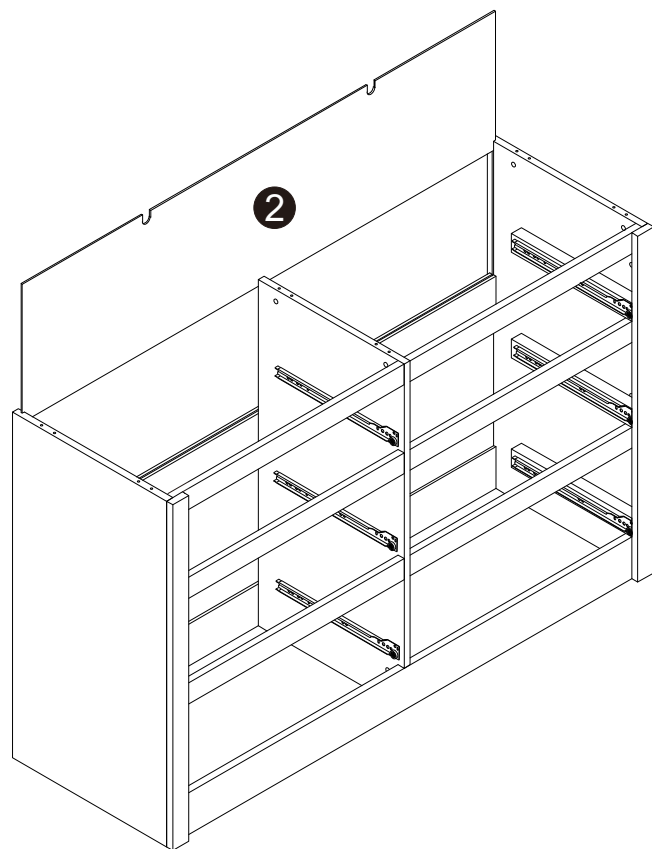
C		3
H		9




21

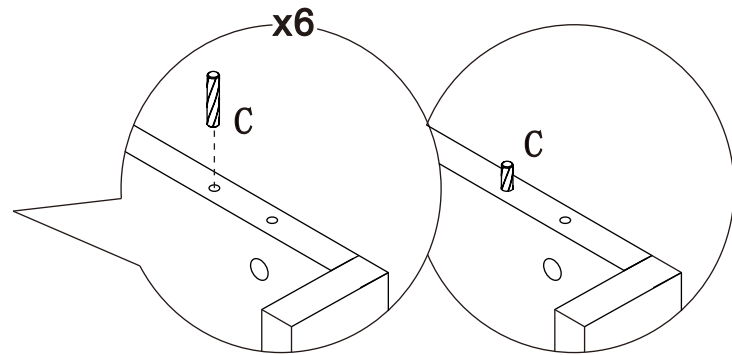
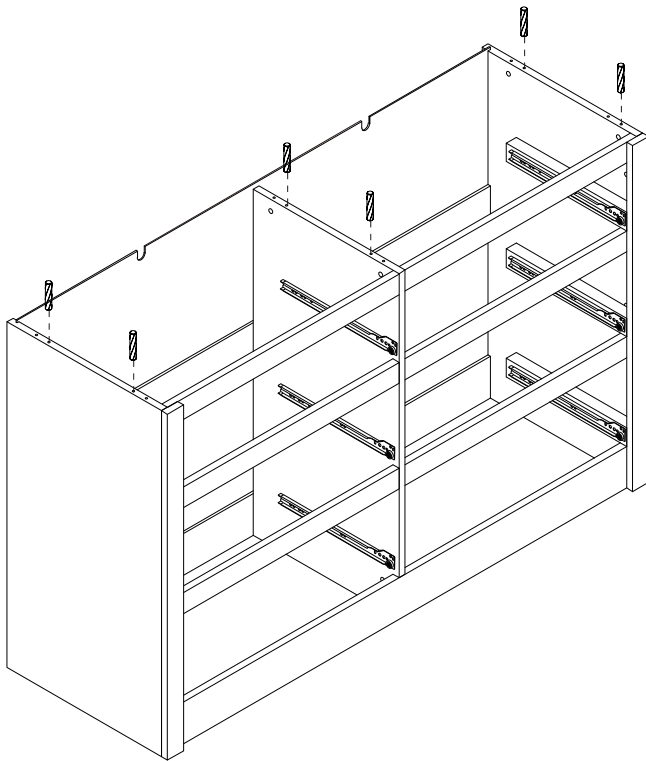


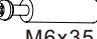
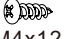

22



C	 M6x30	6
---	--	---

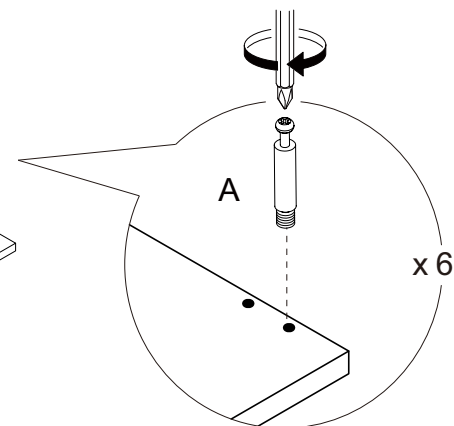
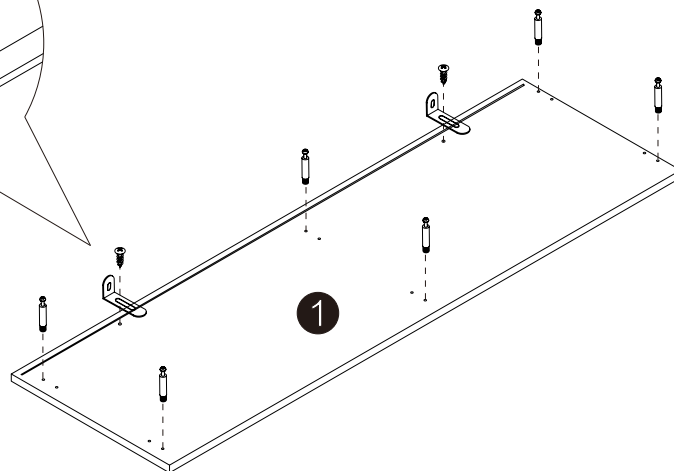
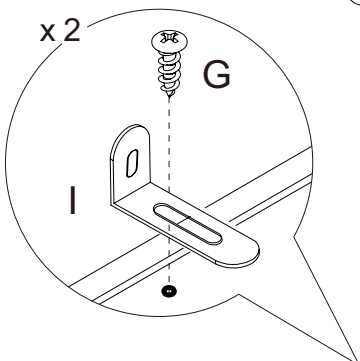
23

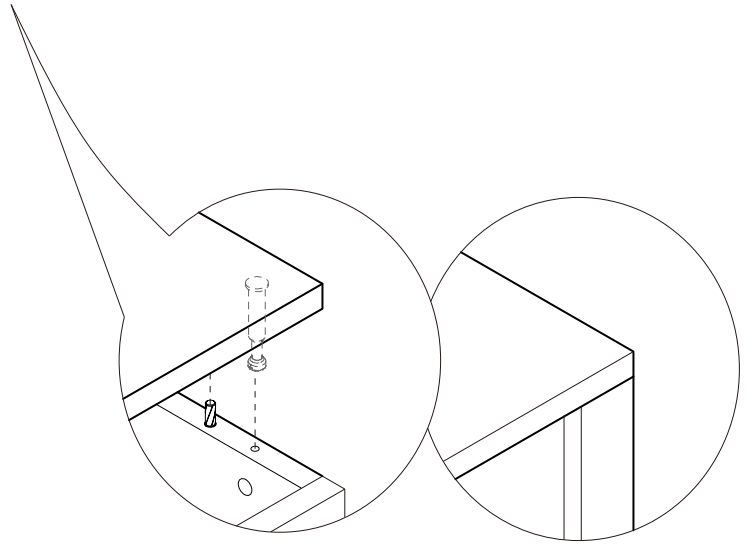
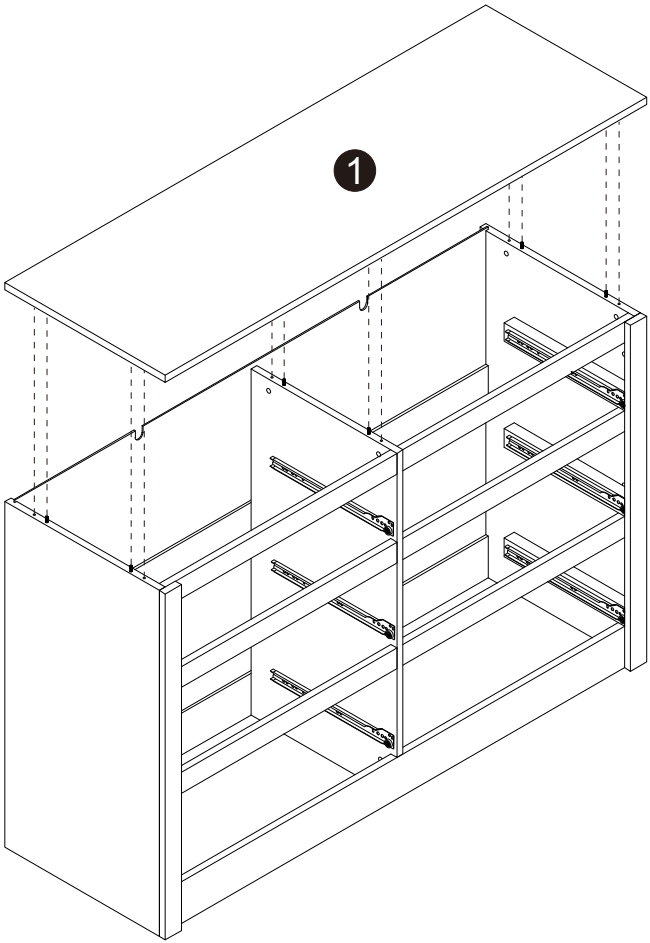


A	 M6x35	6
G	 M4x12	2
I		2

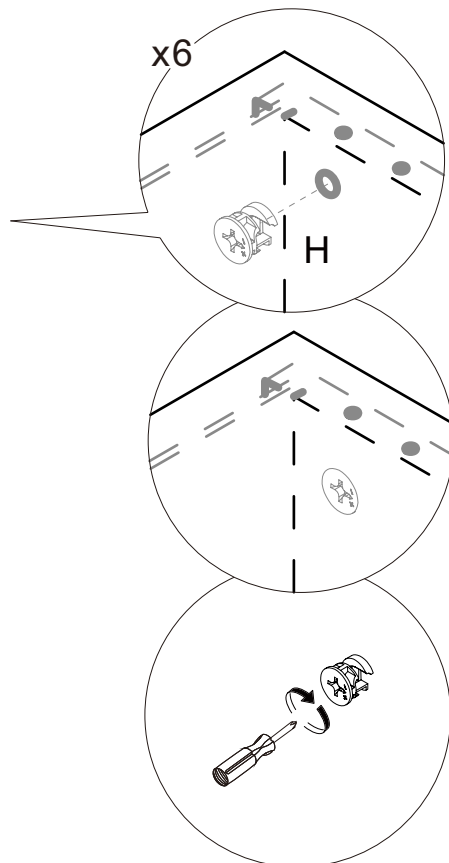
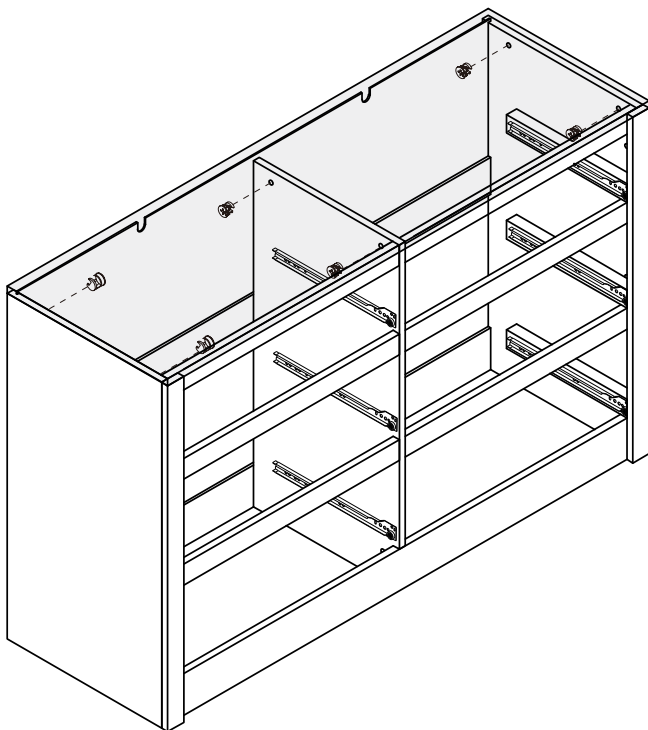
24



Secure the long side of the 'I' shaped metal plate to Board ① using one short 'G' screw.

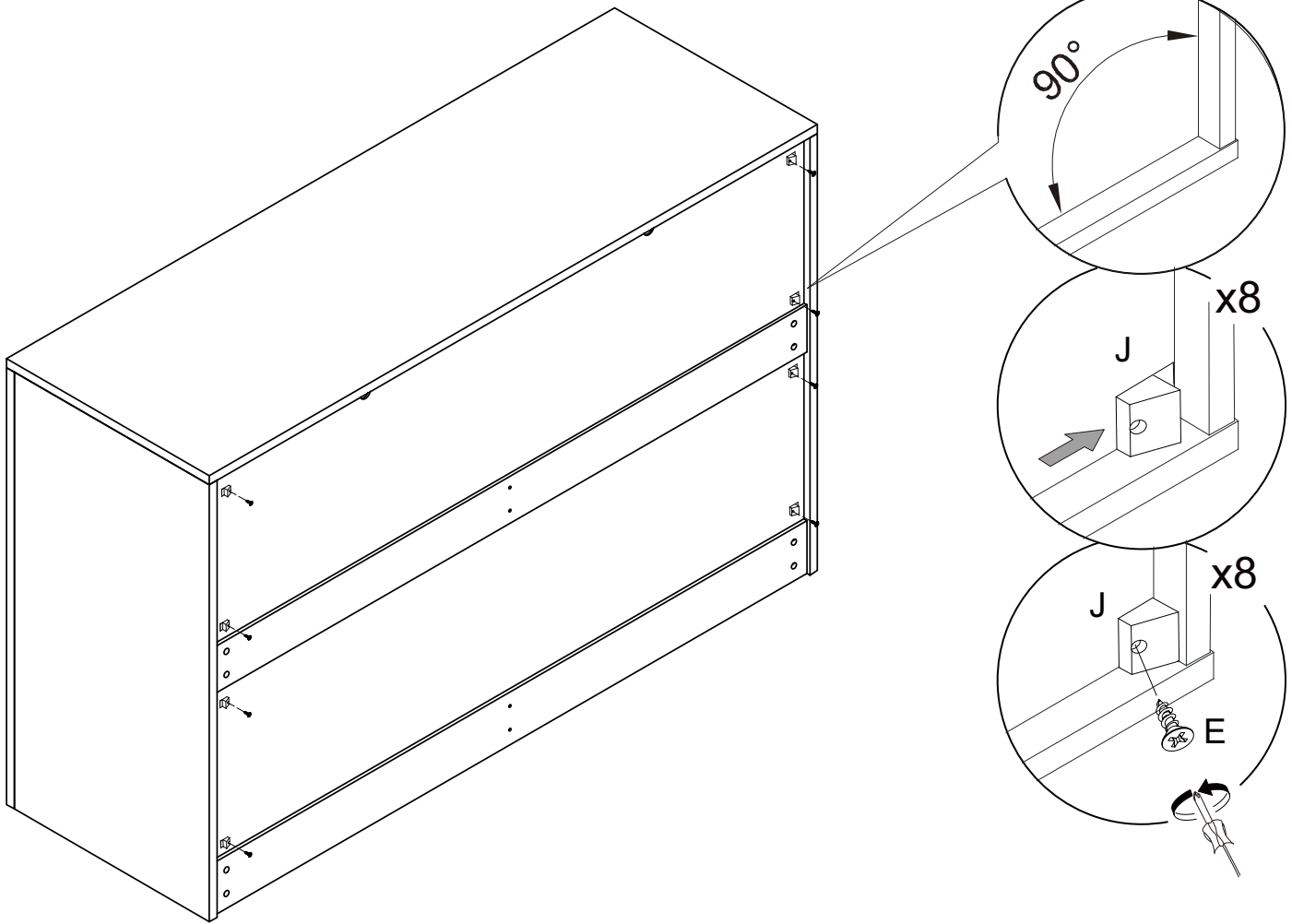





H		6
---	---	---

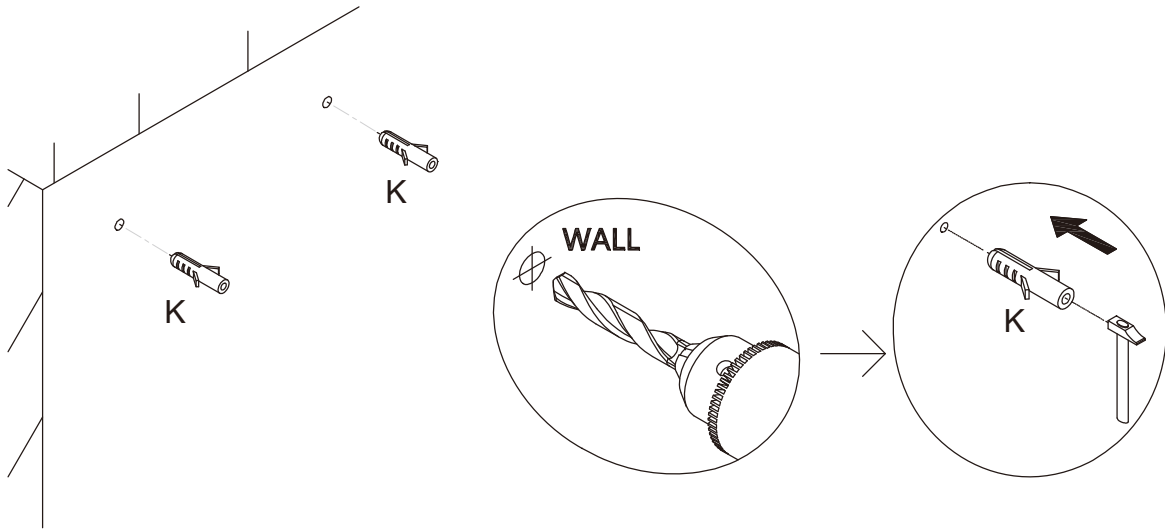


E	 M3x14	8
J		8



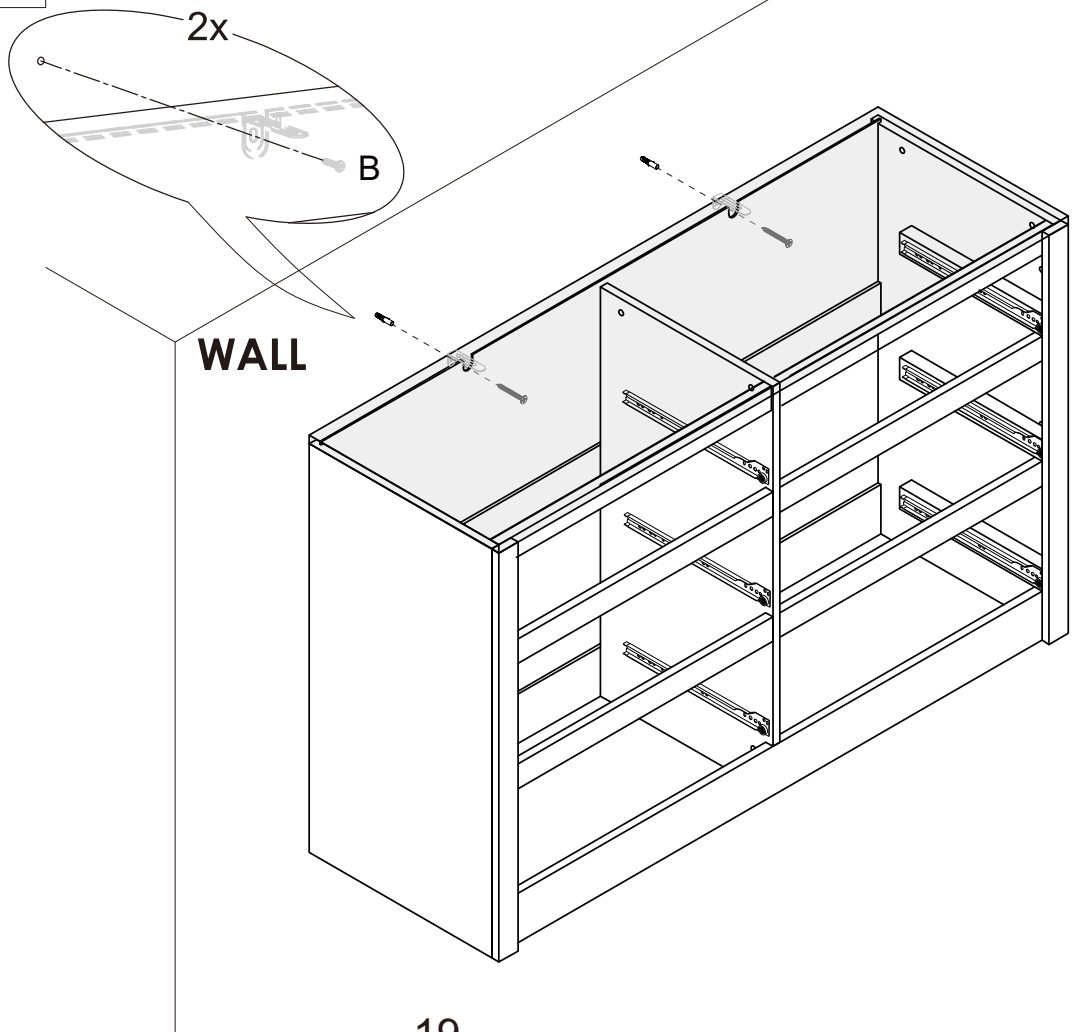
K		2
---	---	---


Drill two holes in the wall at the marked position for installing the anti-tip device



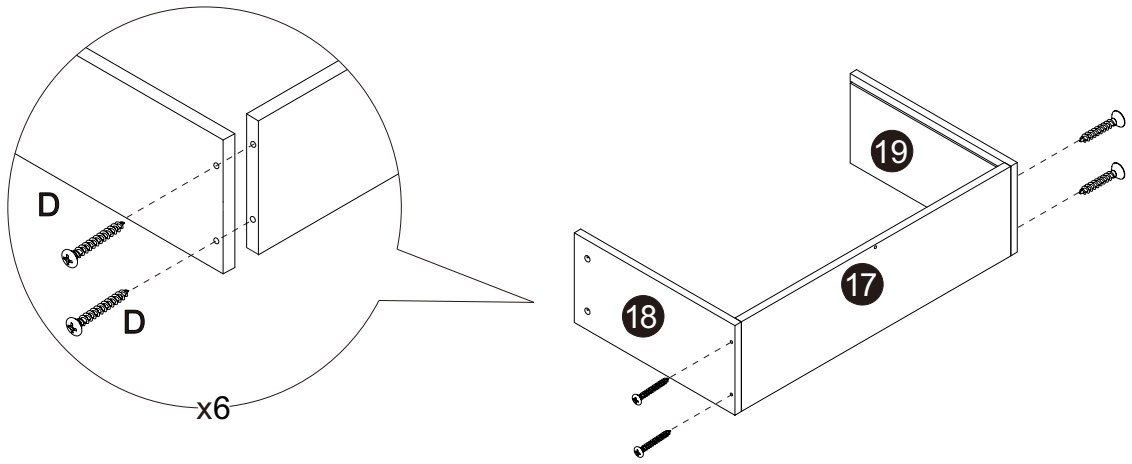
B	 M4x35	2
---	--	---

Place the dresser in the desired position, then use screw B to anchor it securely to the wall.



D	 M4x30	24
---	--	----

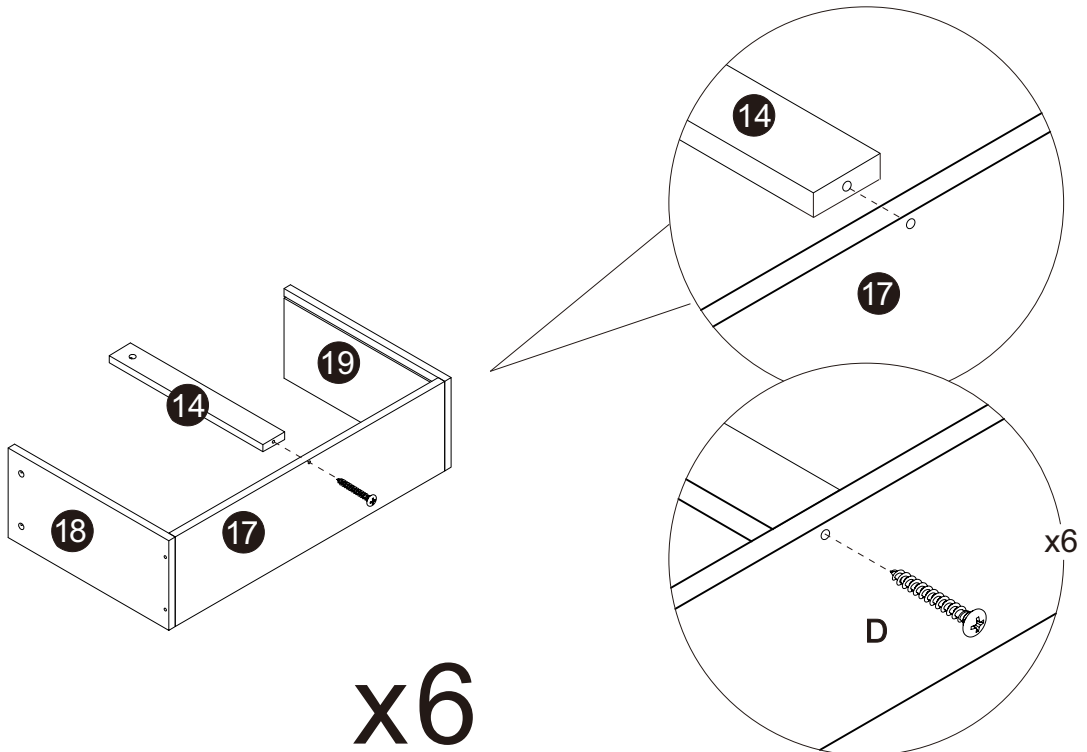
30



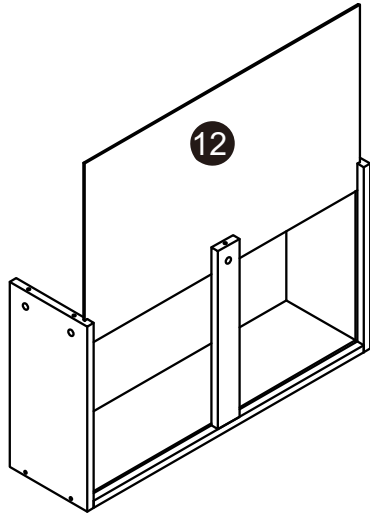
x6

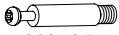
D	 M4x30	6
---	--	---

31

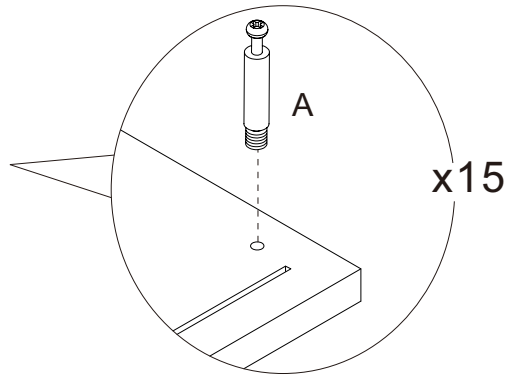
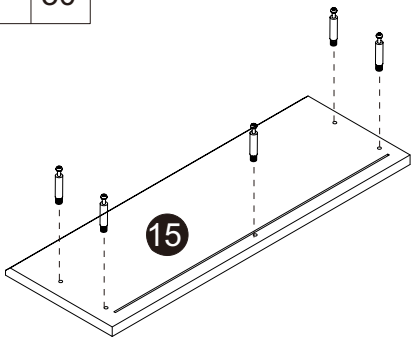


x6

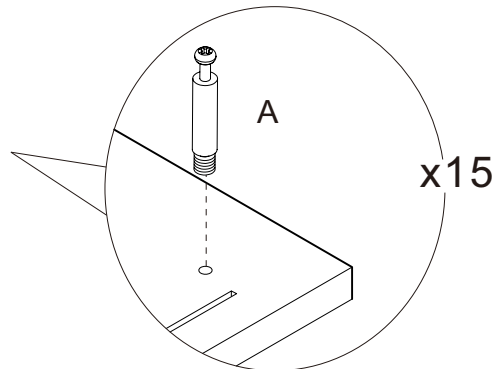
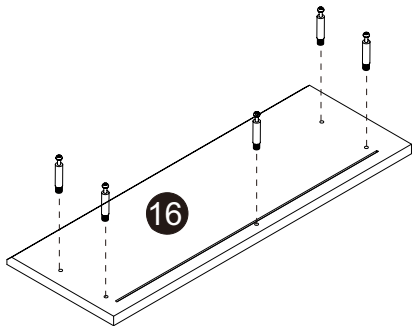


A	 M6x35	30
---	--	----

x3

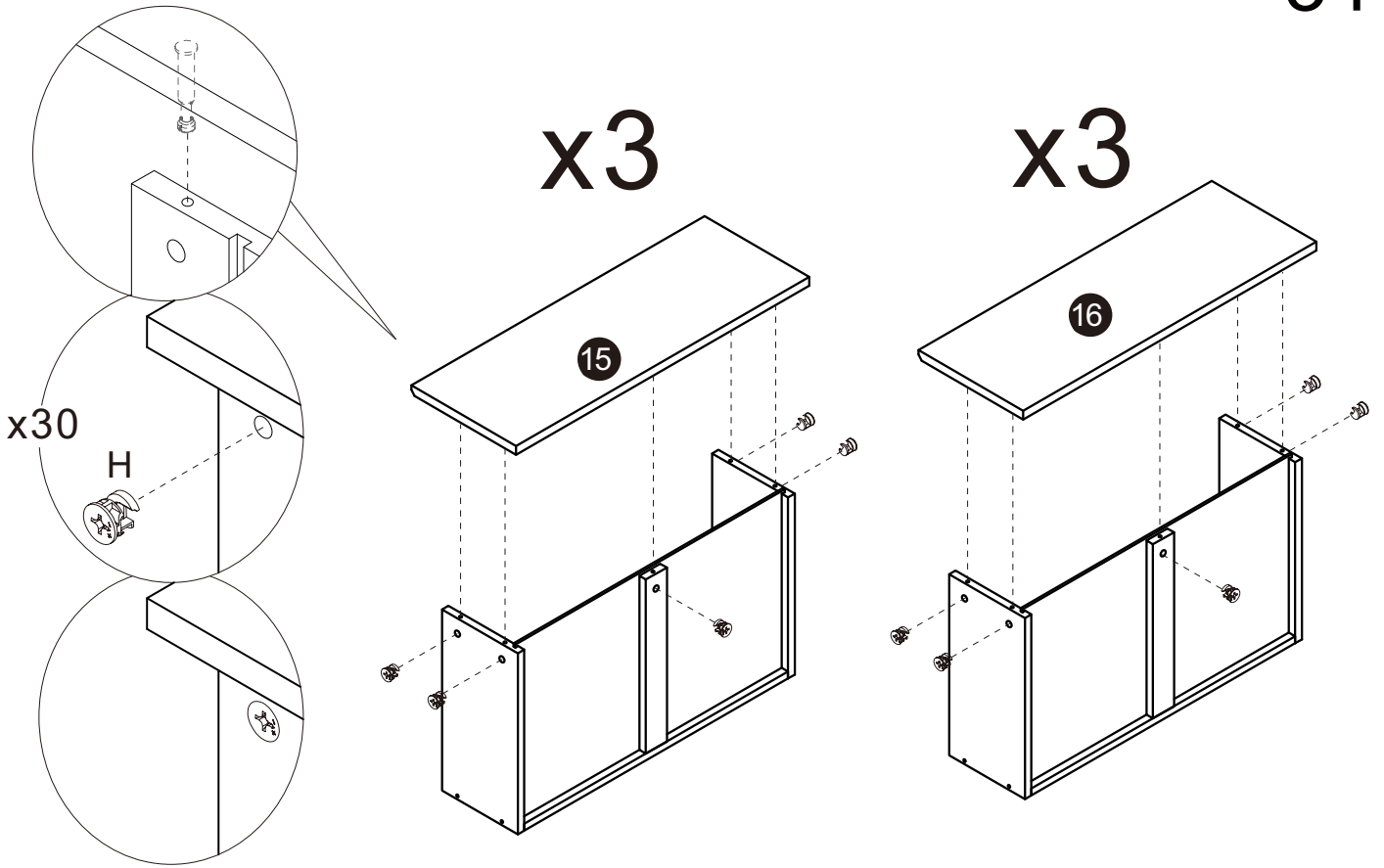





x3



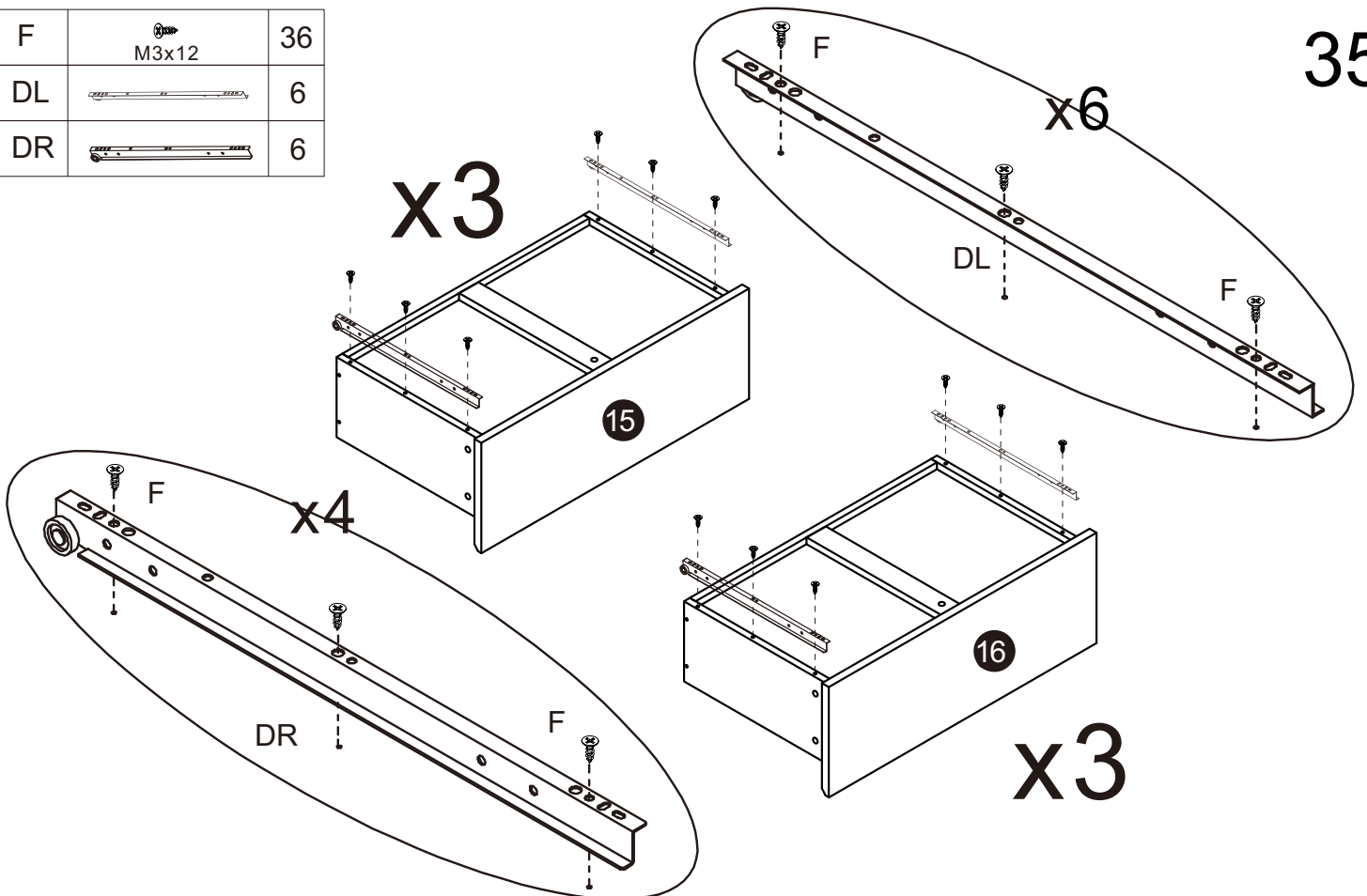
H		30
---	---	----

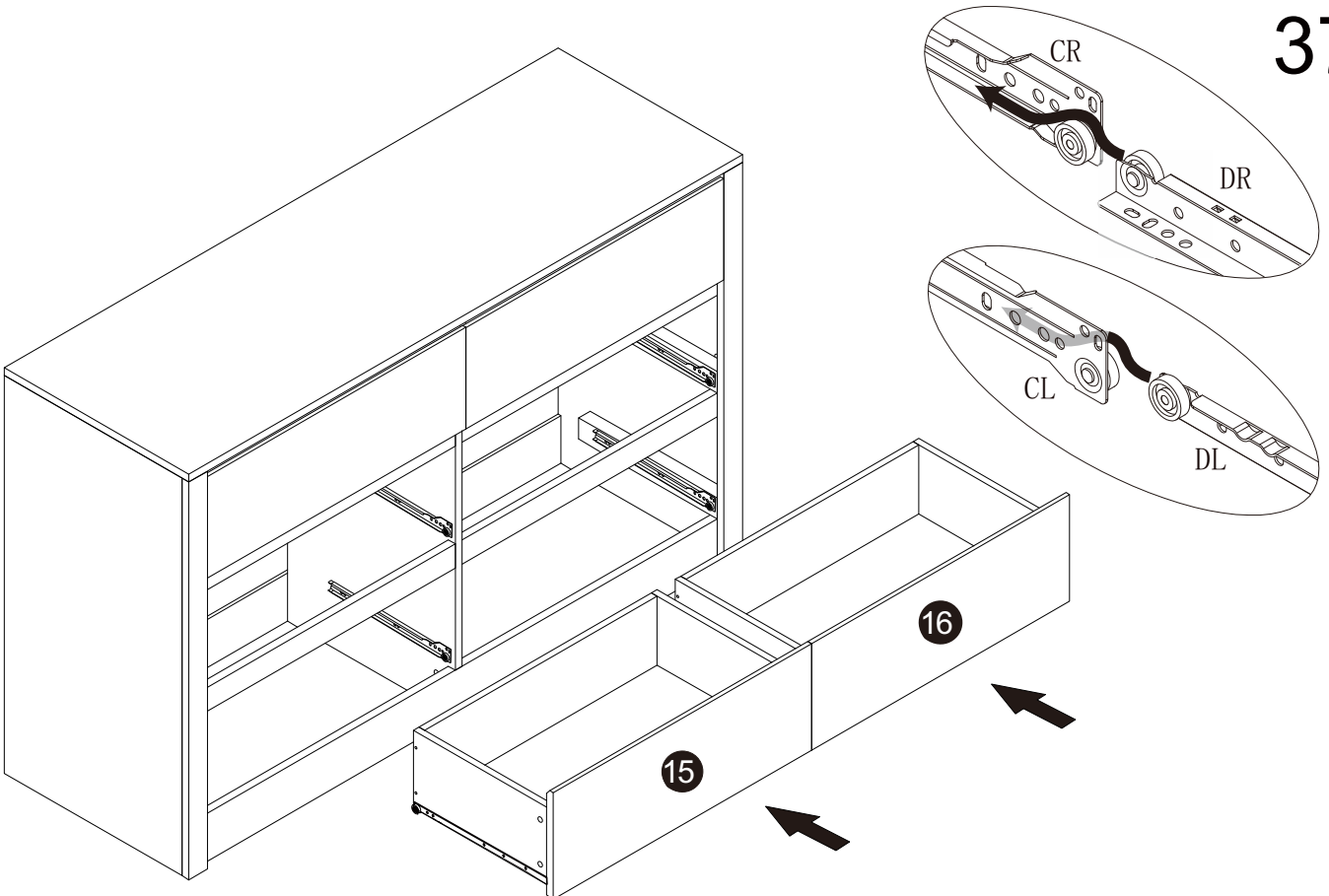
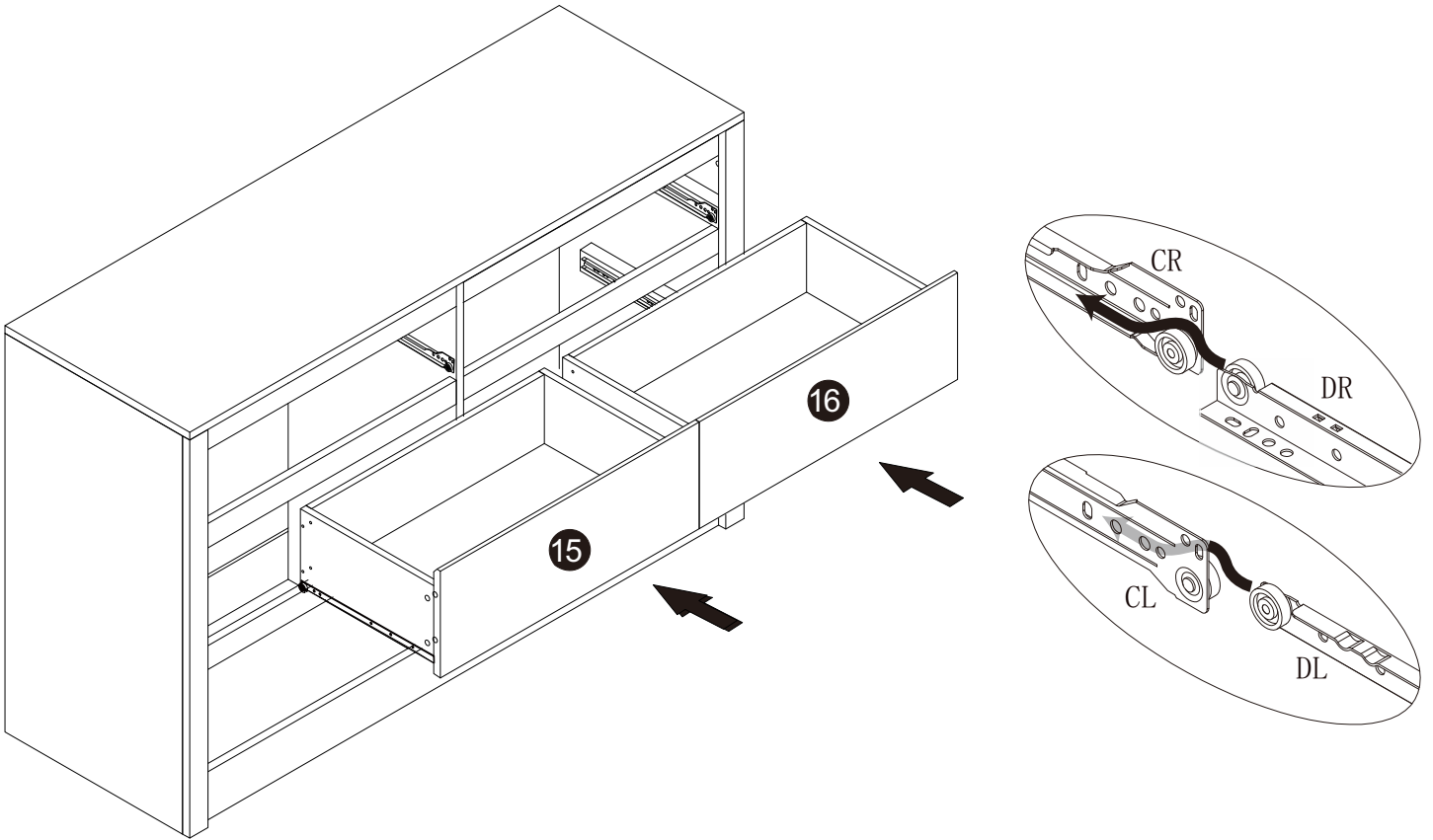
34

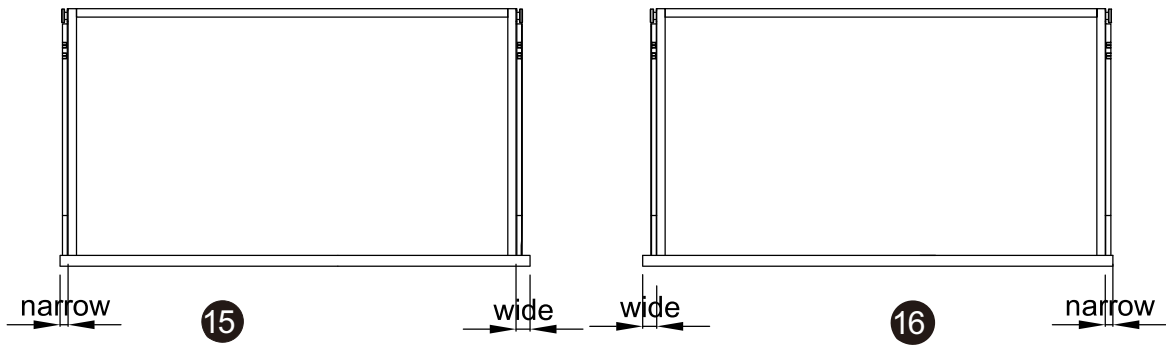
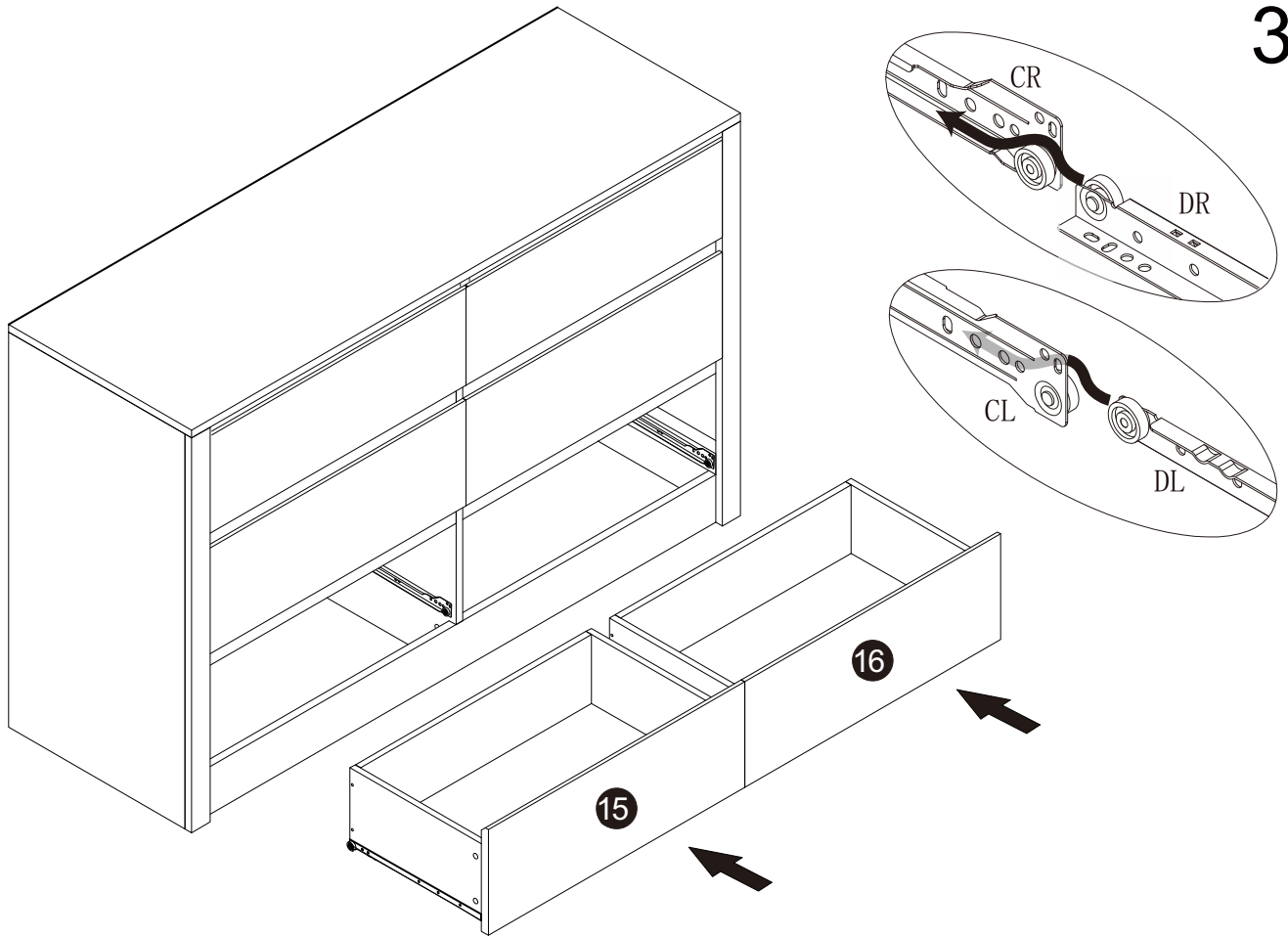


F	 M3x12	36
DL		6
DR		6

35



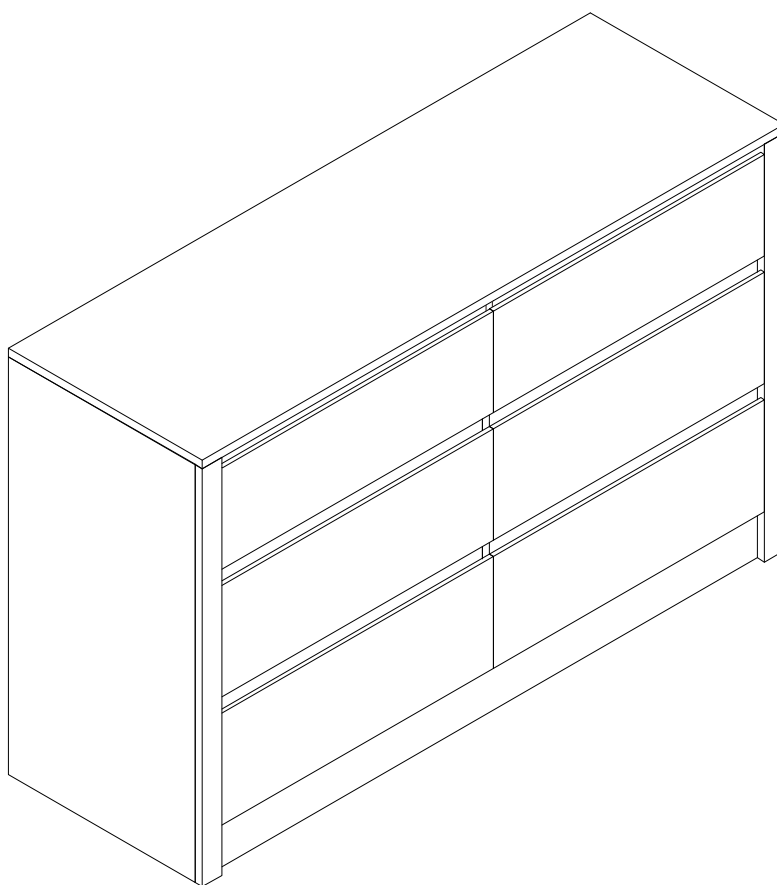




Make sure parts #15 are for the left drawer and #16 are for the right drawer.

⚠ WARNING

	<p>Children have died from furniture tipover. To reduce the risk of furniture tipover:</p> <ul style="list-style-type: none">-ALWAYS install Anti-tip device provided.-NEVER put a TV on this product.-NEVER allow children to stand, climb or hang on any drawers, doors, or shelves.-NEVER open more than one drawer at a time.-Place heaviest items in the lowest drawers. <p><i>This is a permanent label. Do not remove!</i></p>
	



SAFETY FIRST, STYLE ALWAYS

Thank you for choosing our products. To ensure safety and performance, please follow these instructions:

- **Assembly:** Carefully follow instructions and tighten all parts.
- **Intended Use:** Use furniture as intended and adhere to weight limits.
- **Handling:** Move gently and check for loose parts regularly.
- **Tipping:** Tall or unstable furniture may tip over if not secured, especially in homes with children or pets.
- **Overloading:** Exceeding weight limits can lead to collapse or damage.
- **Sharp Edges:** Handle furniture with sharp corners carefully, especially around children.

MAINTAINENCE & CLEANING TIPS

- **Regular Cleaning:** Use a soft, dry cloth to wipe the surface of cabinet regularly. Avoid harsh chemical cleaners.
- **Protect from Sunlight:** Keep cabinet out of direct sunlight to prevent damage to the material and finish.

DON'T WORRY, WE'VE GOT YOUR BACK.

We don't just sell furniture — we're here for the long haul! If you run into any issues due to manufacturing defects or material problems, we offer a 1-year warranty. That means we'll replace any faulty parts for free — no hassle.