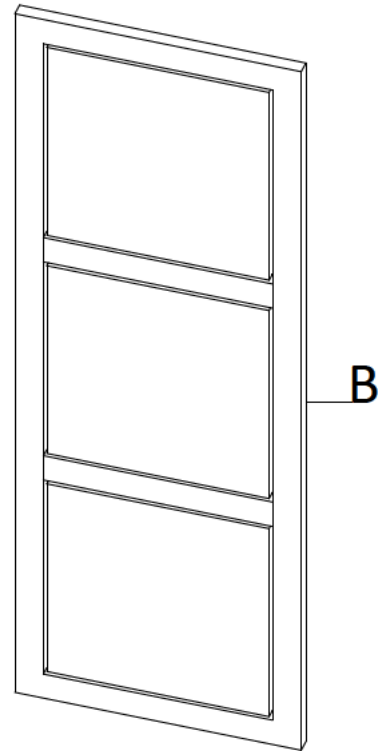
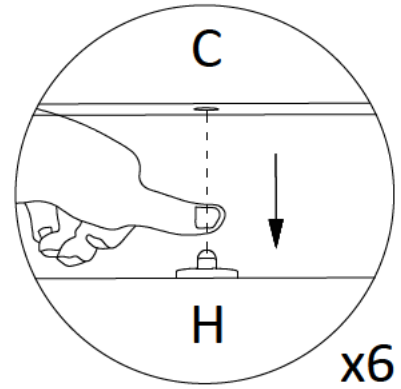
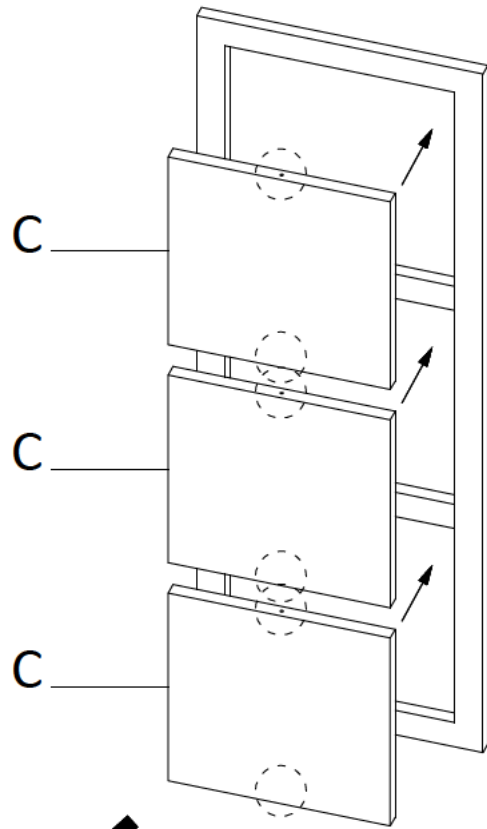
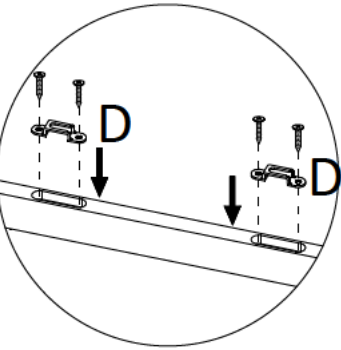
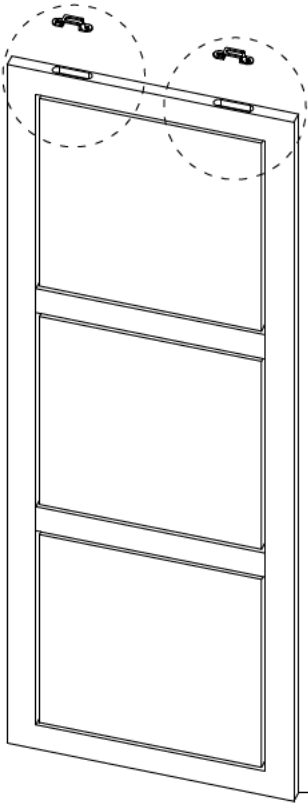


2



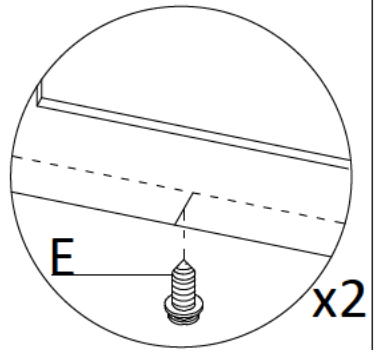
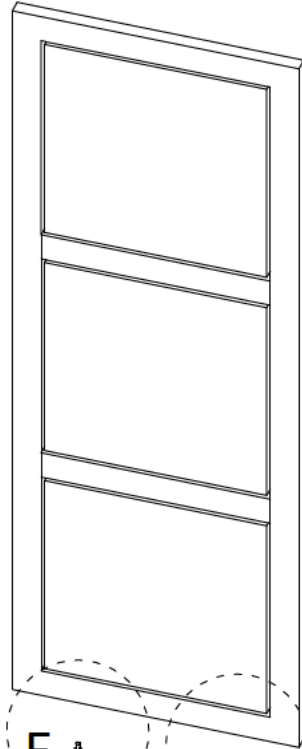
3



The directions of the two inserts should be consistent

A

4



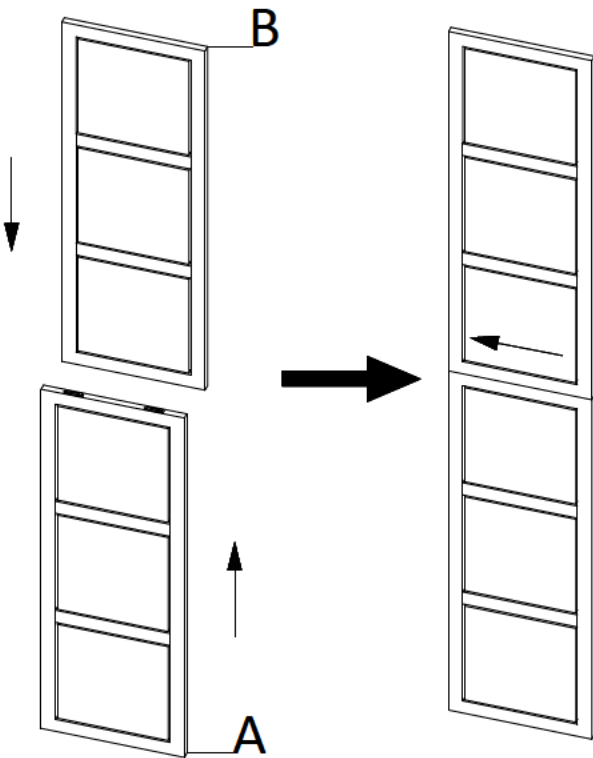
x2

E

E

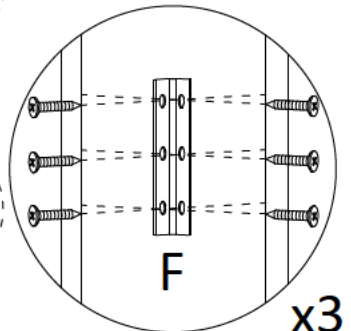
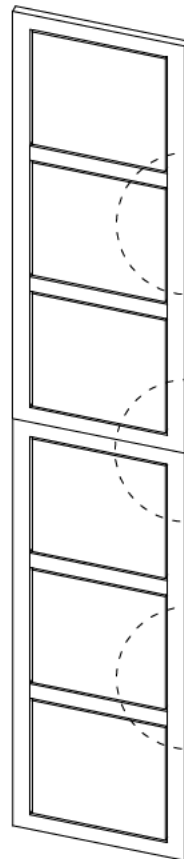
B

5



A

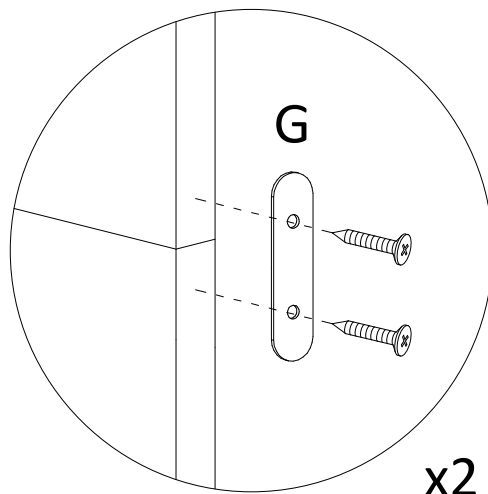
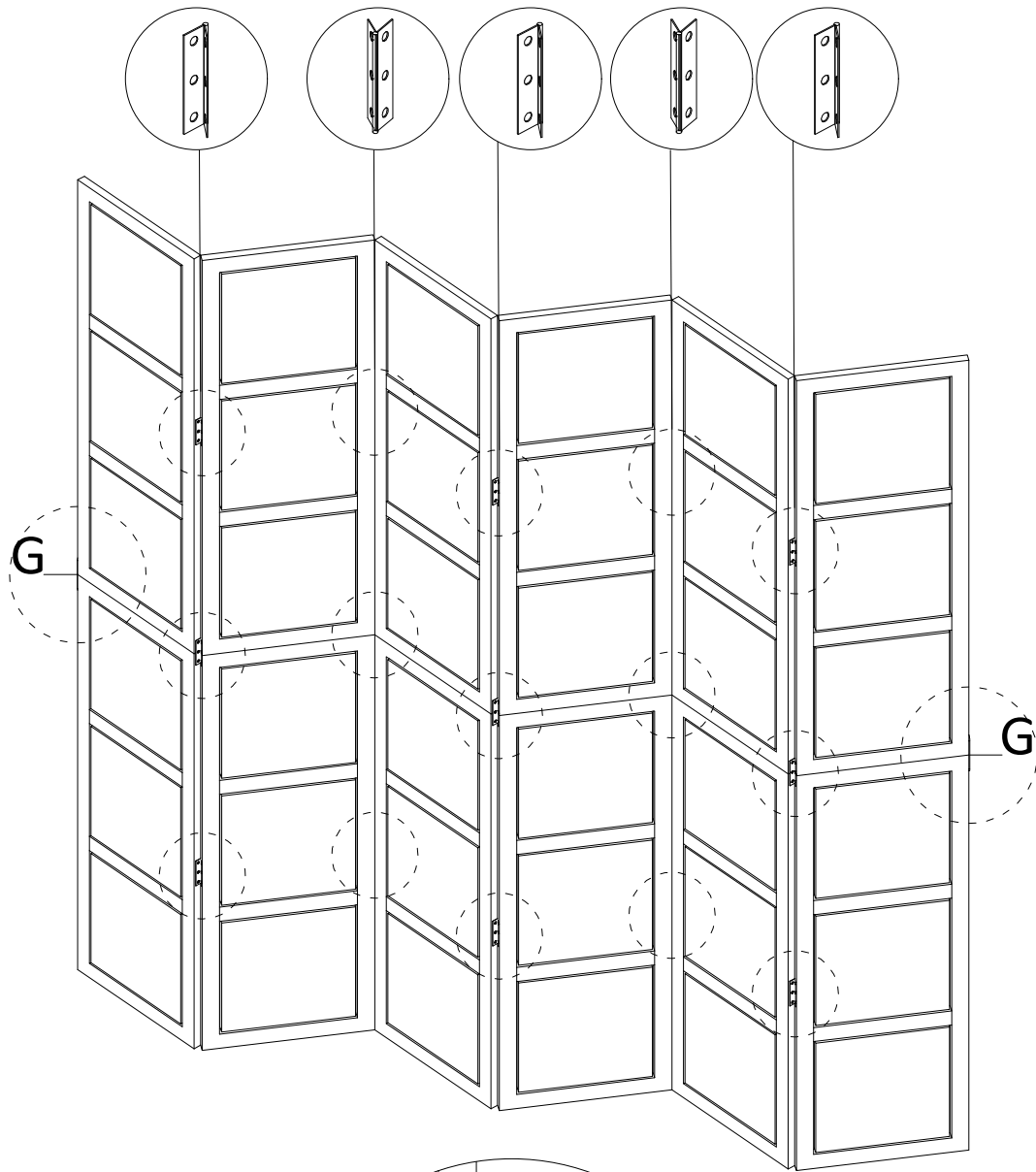
6



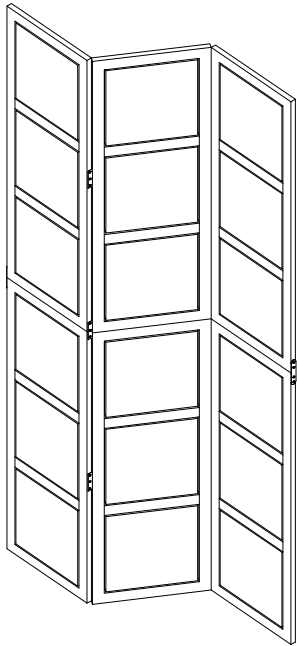
x3

F

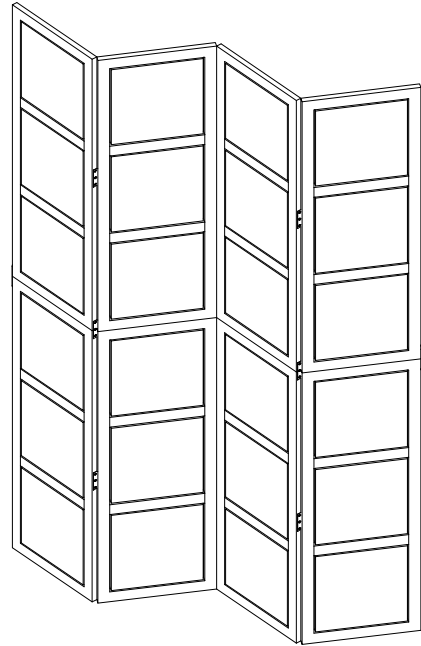
7



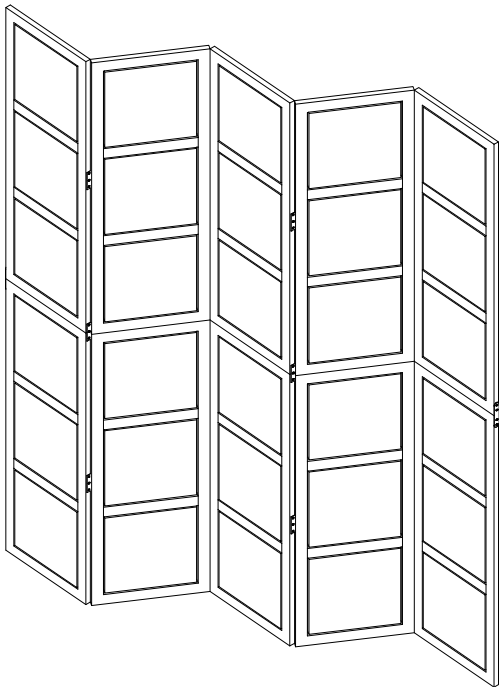
x2



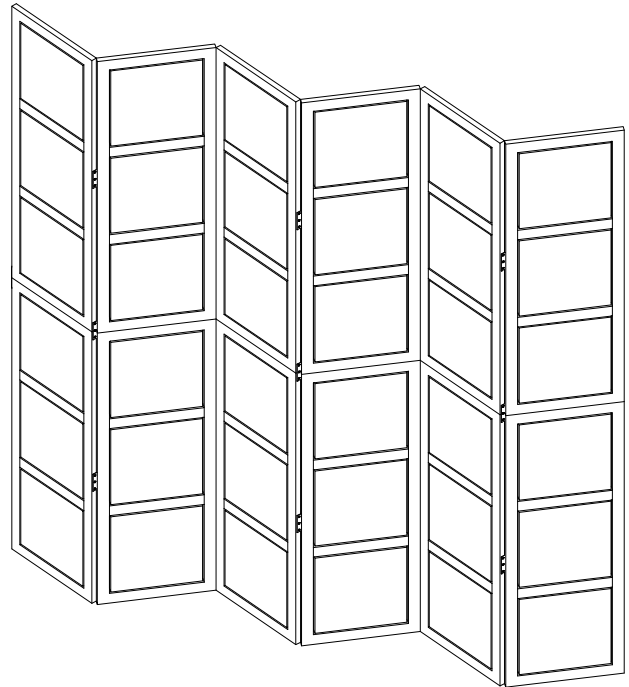
Ax3
Bx3
Cx18
Dx6
Ex6
Fx6
Gx2
Hx36



Ax4
Bx4
Cx24
Dx8
Ex8
Fx9
Gx2
Hx48



Ax5
Bx5
Cx30
Dx10
Ex10
Fx12
Gx2
Hx60



Ax6
Bx6
Cx36
Dx12
Ex12
Fx15
Gx2
Hx72