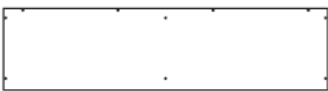
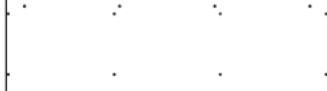












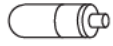

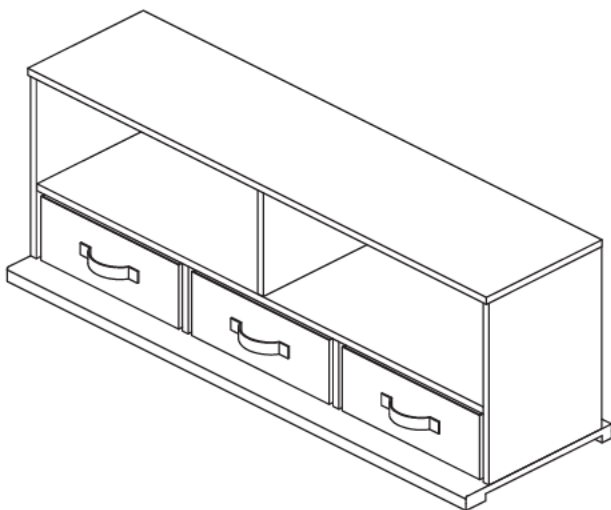


ASSEMBLY INSTRUCTION

STACKABLE BOX 3 WITH SHELVES & 3 DRAWER BINS

A Top Panel  1pc	B Bottom Panel  1pc	C Left Side Panel  1pc	D Right Side Panel  1pc
E Shelf Panel  1pc	F Lower Divider Panel  2pcs	G Back Panel  1pc	H Upper Divider Panel  1pc
I Drawer Bin  3pcs	J Minifix $\phi 0.27'' \times 0.8''$  6pcs	K Cam $0.47''$  6pcs	L Wood Dowel $\phi 0.23'' \times 0.78''$  18pcs
M Screw $\phi 0.17'' \times 1.5''$  10pcs	N Screw $\phi 0.17'' \times 1.26''$  3pcs	O Glue  1pc	P Anti-Tipping Kit  1set

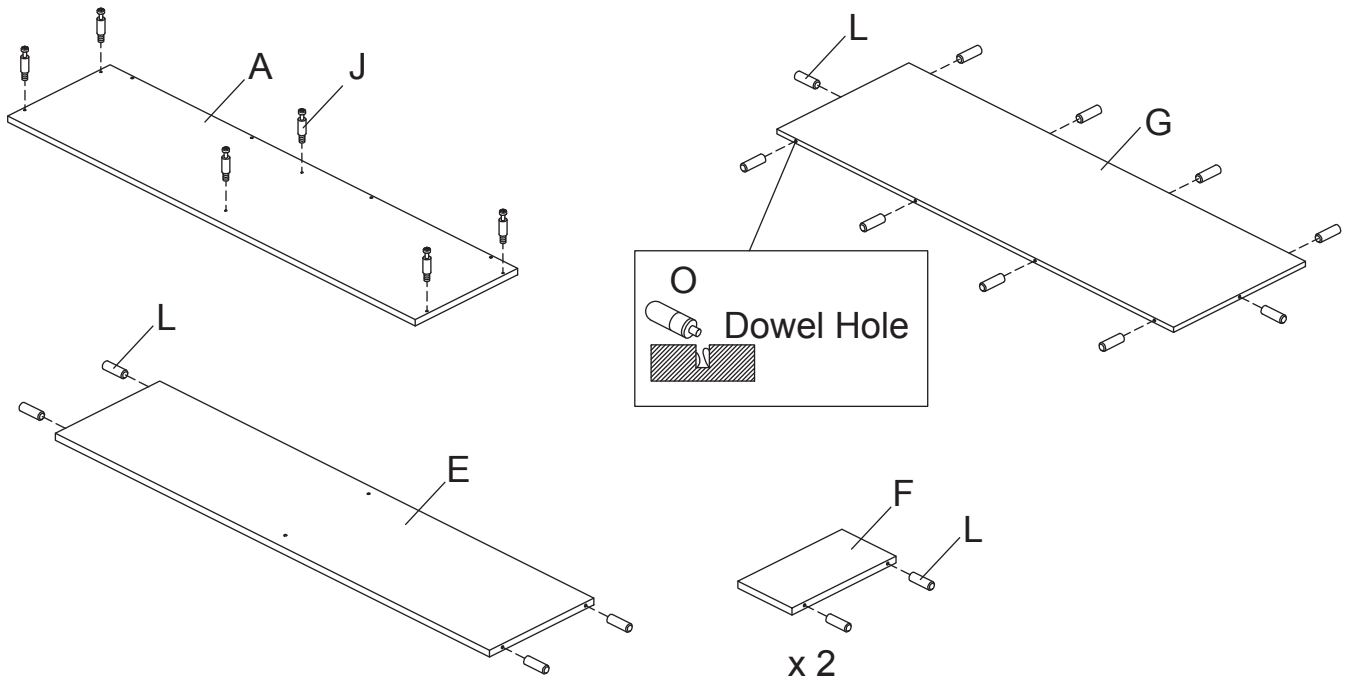


This page lists all the contents included in the box. Please take the time to identify the hardware as well as the individual components to this product. As you unpack and prepare for assembly, place the contents on a carpeted or padded area to protect them from damage.

***** Do not tighten screws & bolts until the entire unit is completely assembled.**

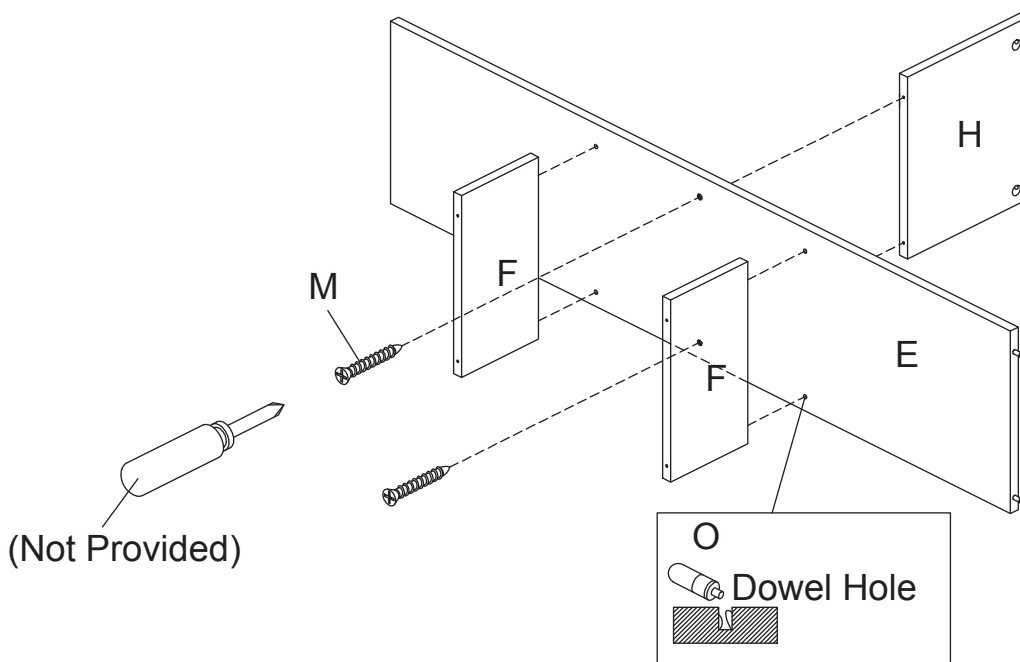
1

Insert Minifix (J) into the Top Panel (A). Apply Glue (O) to the Dowel Holes of Shelf Panel (E), Lower Divider Panel (F) and Back Panel (G). Then attach Wood Dowel (L) to Shelf Panel (E), Lower Divider Panel (F) and Back Panel (G).

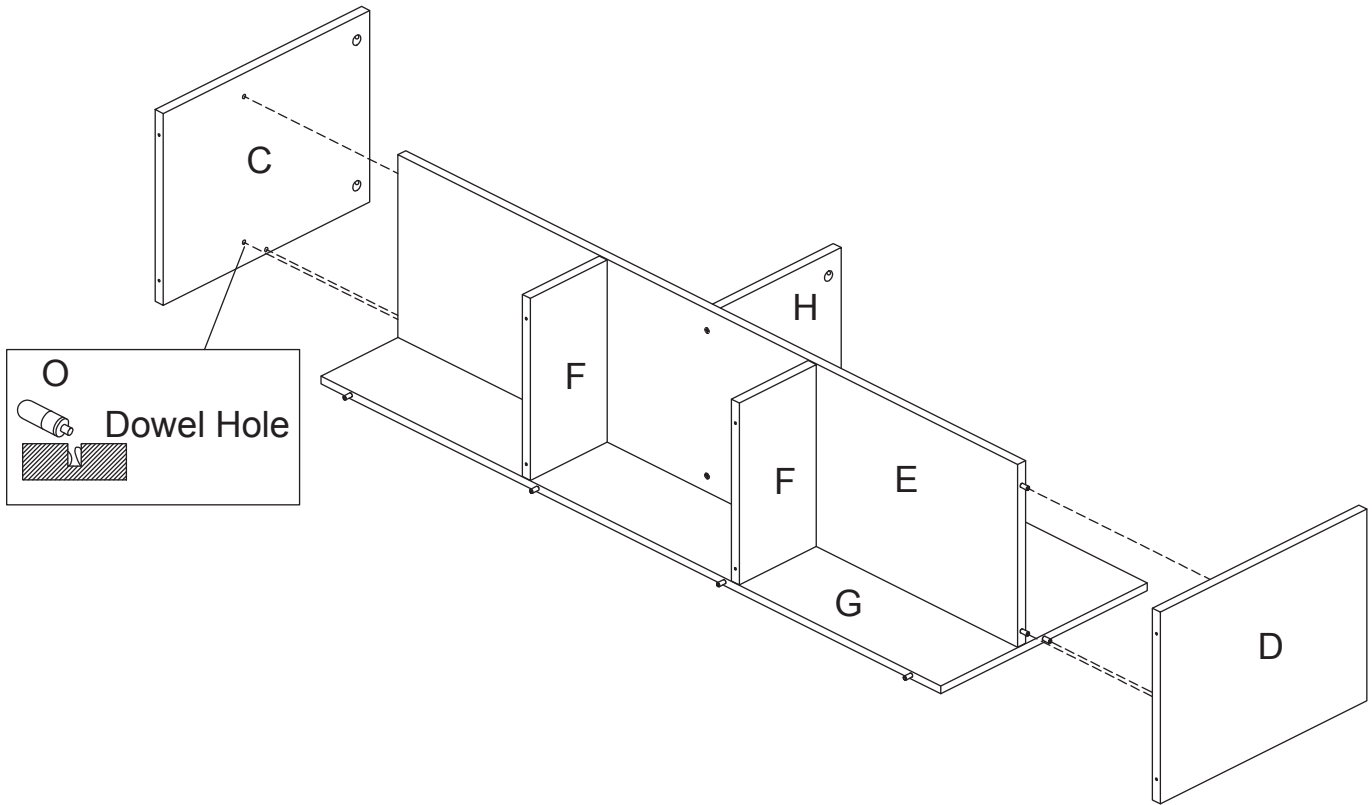


2

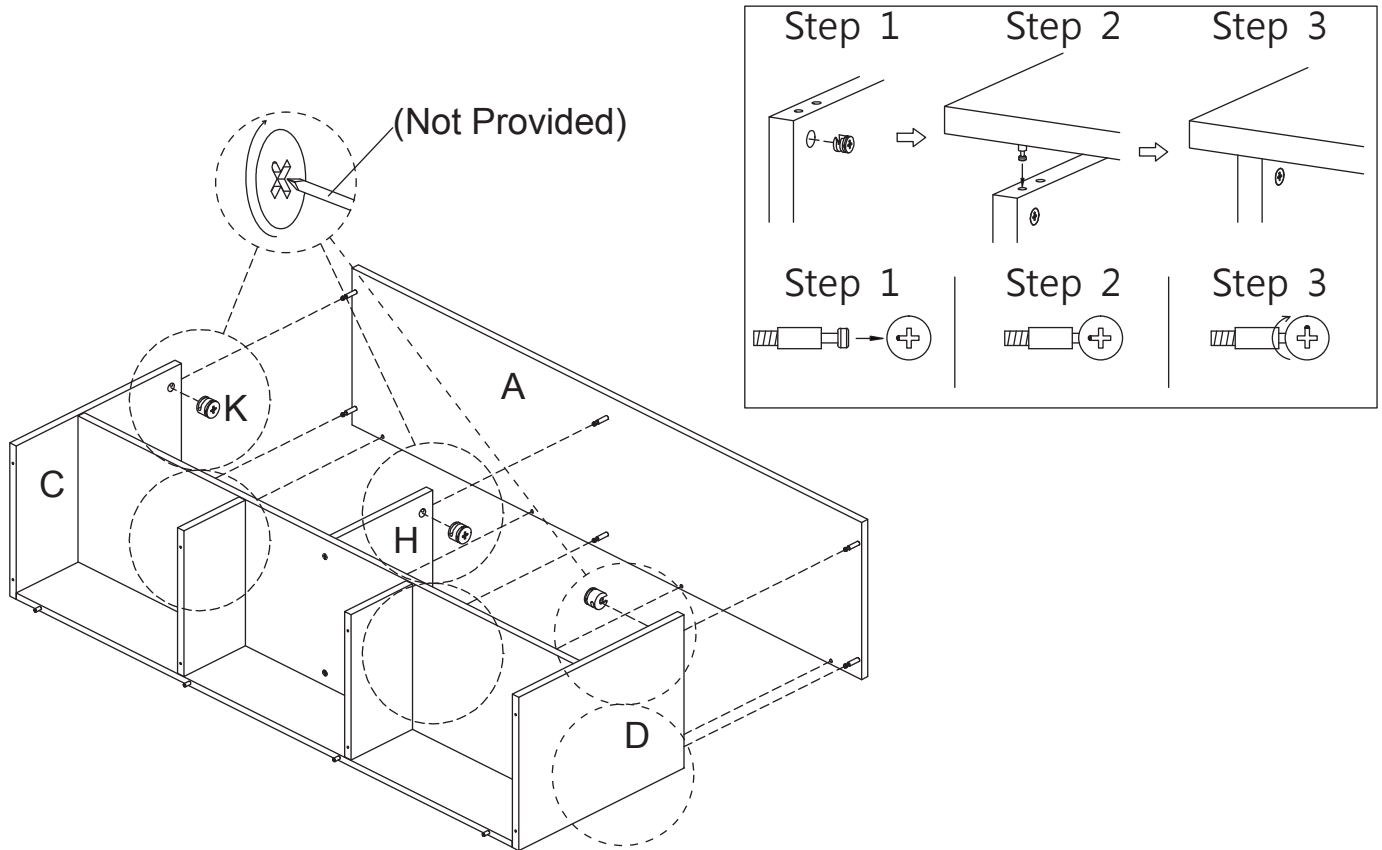
Apply Glue (O) to the Dowel Holes of Shelf Panel (E). Attach Lower Divider Panel (F) to Shelf Panel (E). Then attach Upper Divider Panel (H) to Shelf Panel (E) using Screw (M) and screwdriver (not provided).



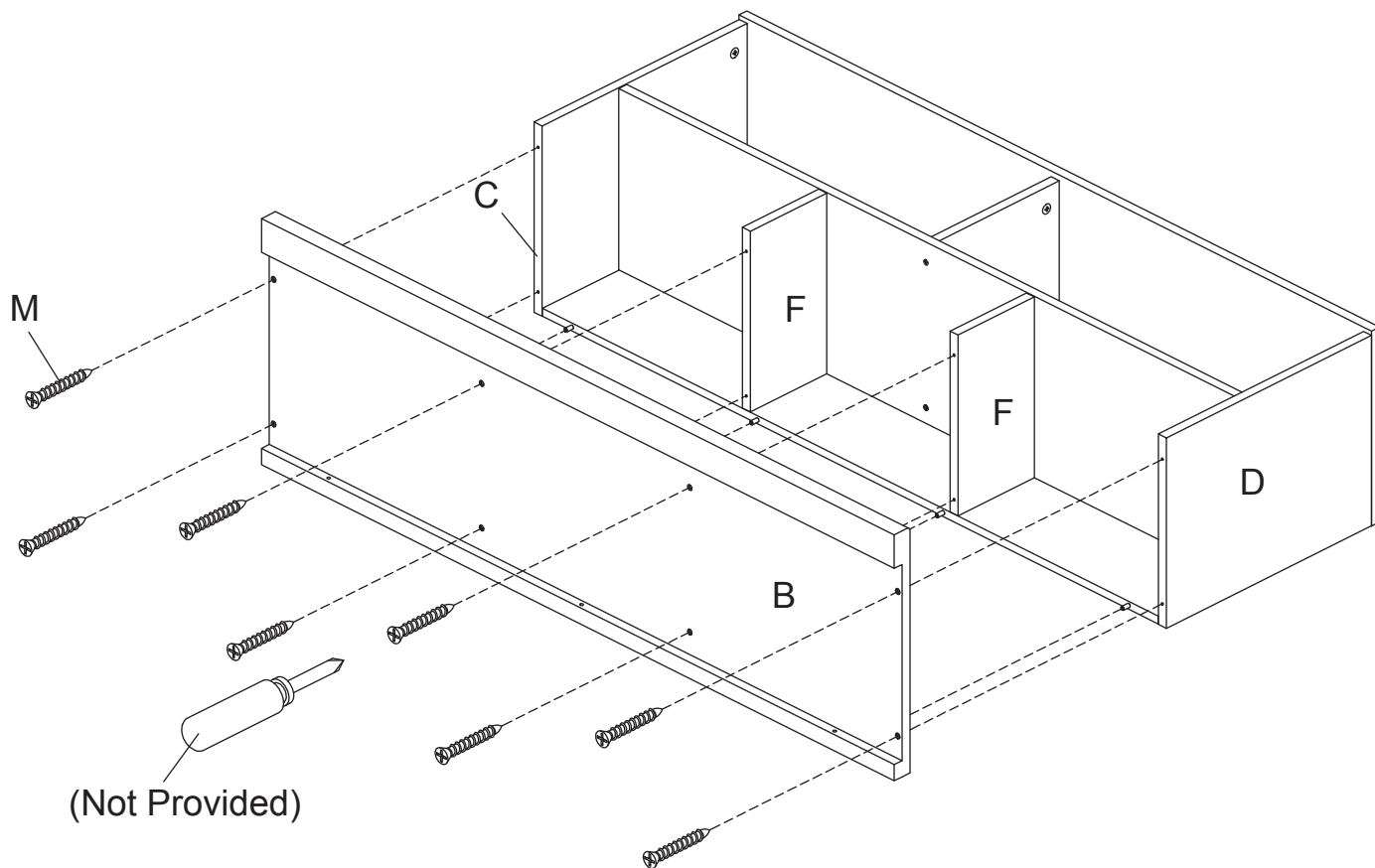
3 Apply Glue (O) to the Dowel Holes of Left & Right Side Panel (C&D). Then attach Shelf Panel (E) and Back Panel (G) to Left & Right Side Panel (C&D).



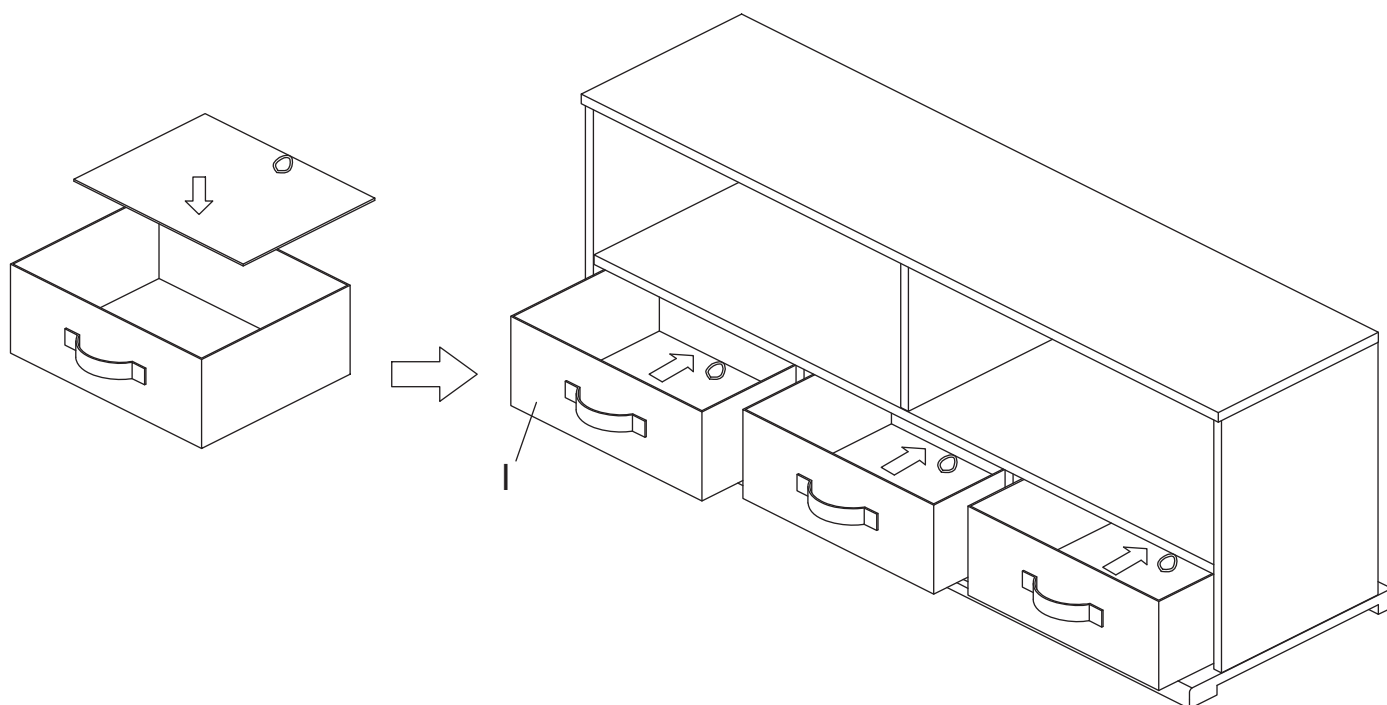
4 Insert Cam (K) into the Left & Right Side Panel (C&D) and Upper Divider Panel (H). Then attach Top Panel (A) to Left & Right Side Panel (C&D) and Upper Divider Panel (H) using Cam (K) and screwdriver (not provided).



5 Attach Bottom Panel (B) to Left & Right Side Panel (C&D) and Lower Divider Panel (F) using Screw (M) and screwdriver (not provided).

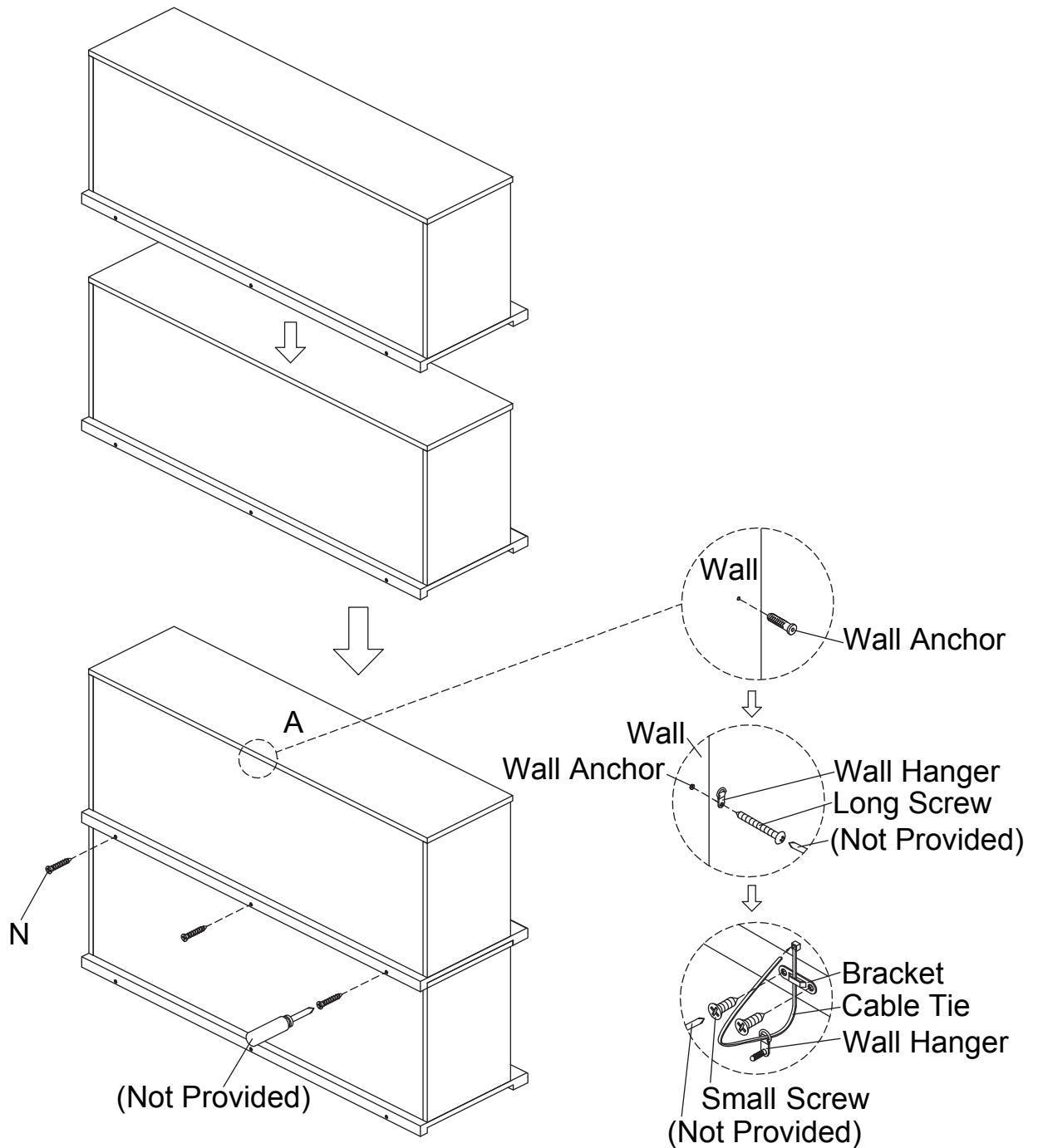


6 Unfold the Drawer Bin (I), place the drawer bottom panel in, and put it into the stackable box.



7

Follow the instructions below to attach Anti-Tipping Kit (P) to the wall.
 Drill a 7mm hole on the wall and fix Wall Anchor into it. Attach Wall Hanger to Wall Anchor and the wall using Long Screw and screwdriver (not provided). Then attach Bracket to the back of Top Panel (A) using Small Screw and screwdriver (not provided). Thread Cable Tie through Bracket and Wall Hanger and pull it tight.



When you buy two stackable boxes, use Screw (N) and screwdriver (not provided) to connect them.

Cleaning & Care

Treat surfaces with care. Surfaces are resistant to scratches but are not scratch resistant. Clean surfaces with a dry or damp soft cloth. Do not use abrasive cleaners. Hardware may loosen over time. Periodically check that all connections are tight.