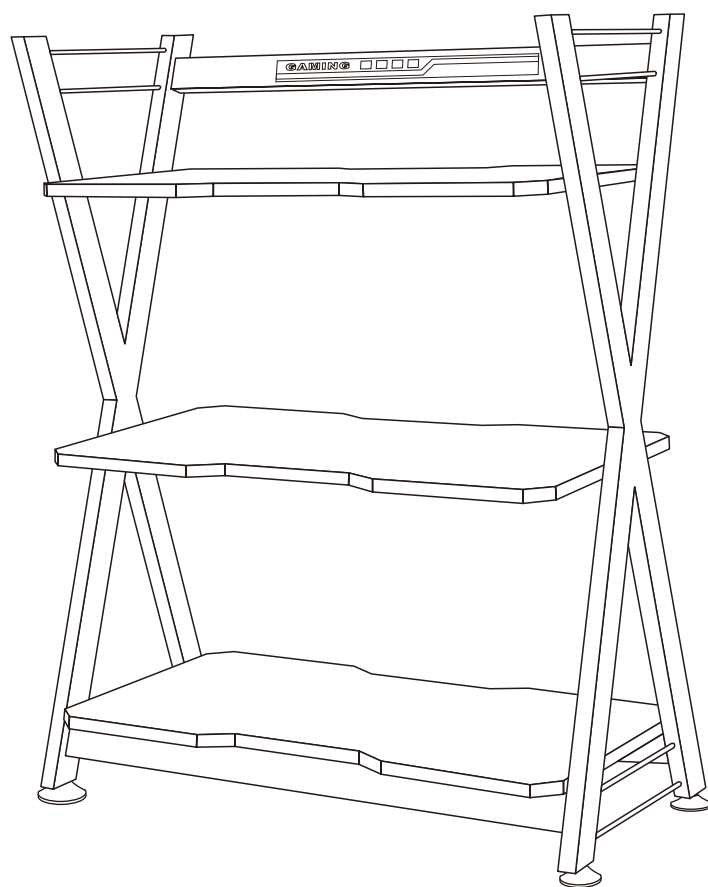
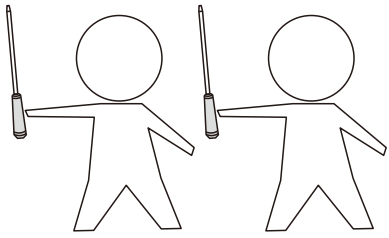


INSTRUCTIONS

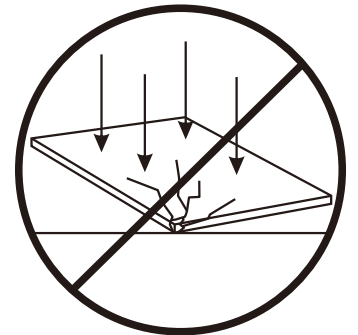
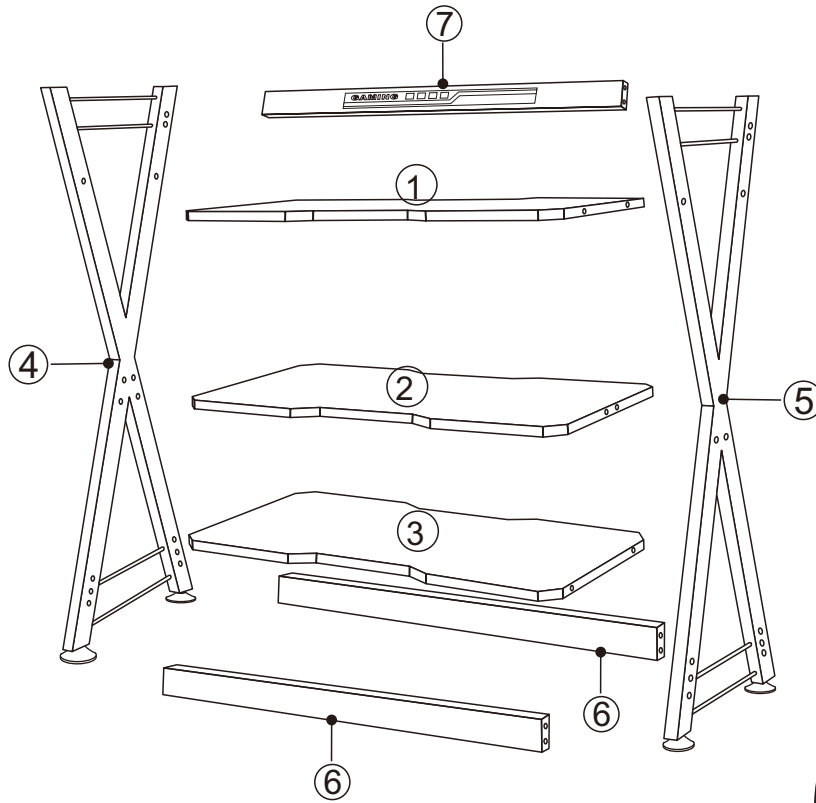


Installation Notes:

- 1. Before starting to assemble, please check the number of parts referring to this instruction.**
- 2. Before starting to assemble, please check the condition of the parts. If any damage is found, please contact us.**
- 3. Be careful of the heavy board.**
- 4. Handle with care to avoid damaging floor and the product.**
- 5. Recommendation of 2-3 people for easier installation.**



Need to prepare



Wood board is fragile

A

M6X35mm
12pcs

B

M6X12mm
8pcs

C

ST5X60mm
12pcs

D

ST4X25mm
2pcs

E

2pcs

F

2pcs

G

4pcs

H

ST3.5X14mm
4pcs

I

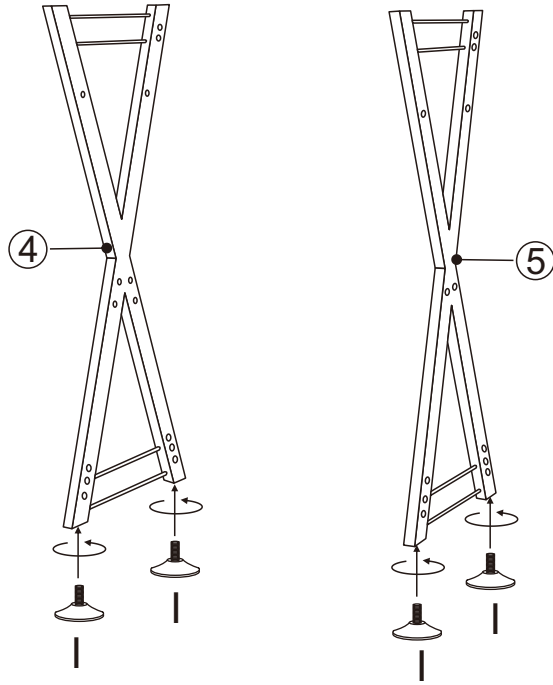
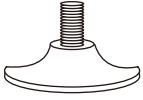
4pcs

J

1pc

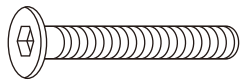
1

I*4



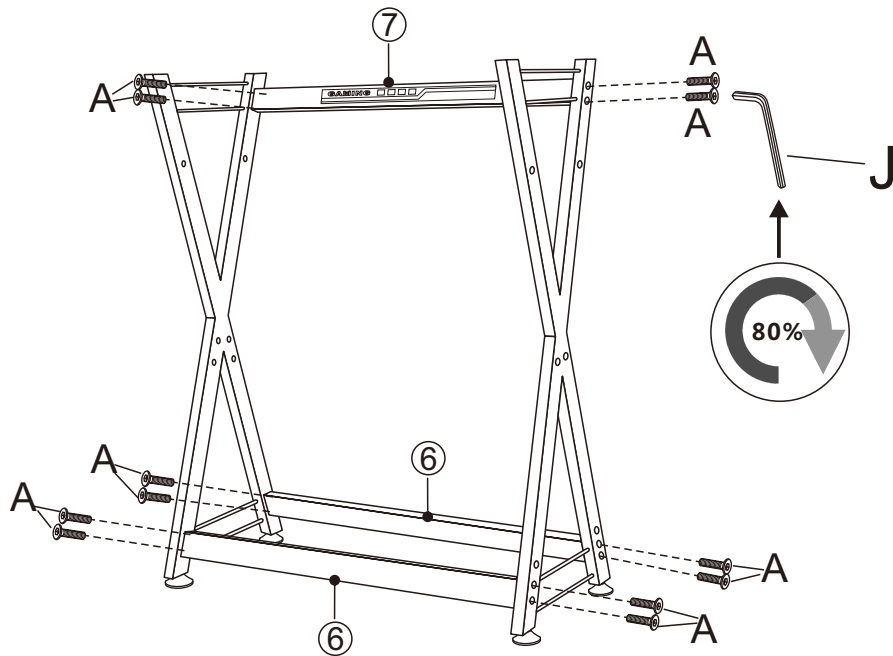
2

A*12



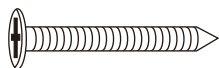
M6X35mm

J

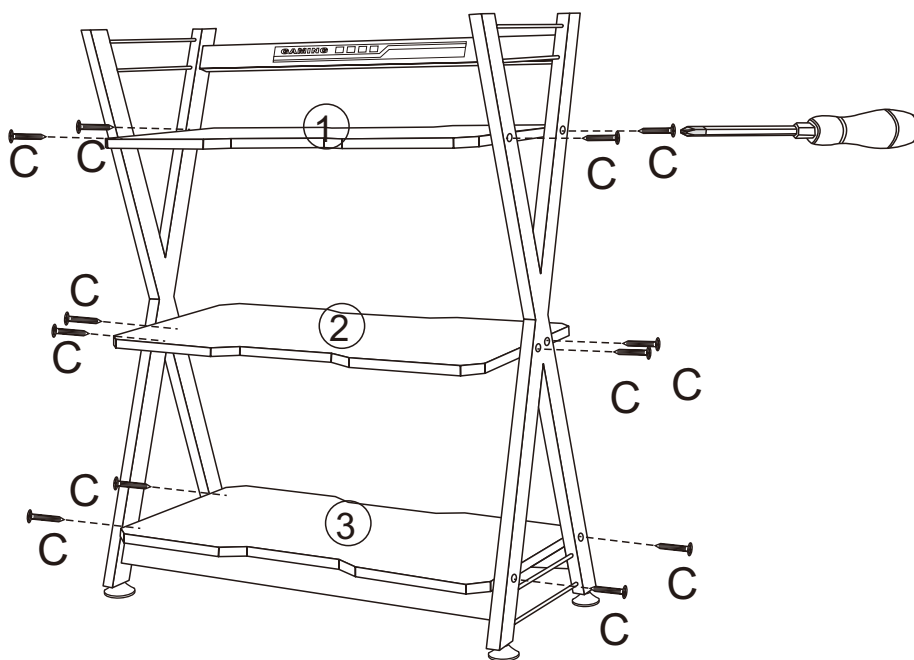
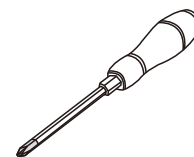


3

C*12

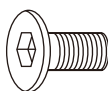


ST5X60mm
12pcs



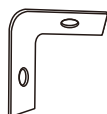
4

B*8

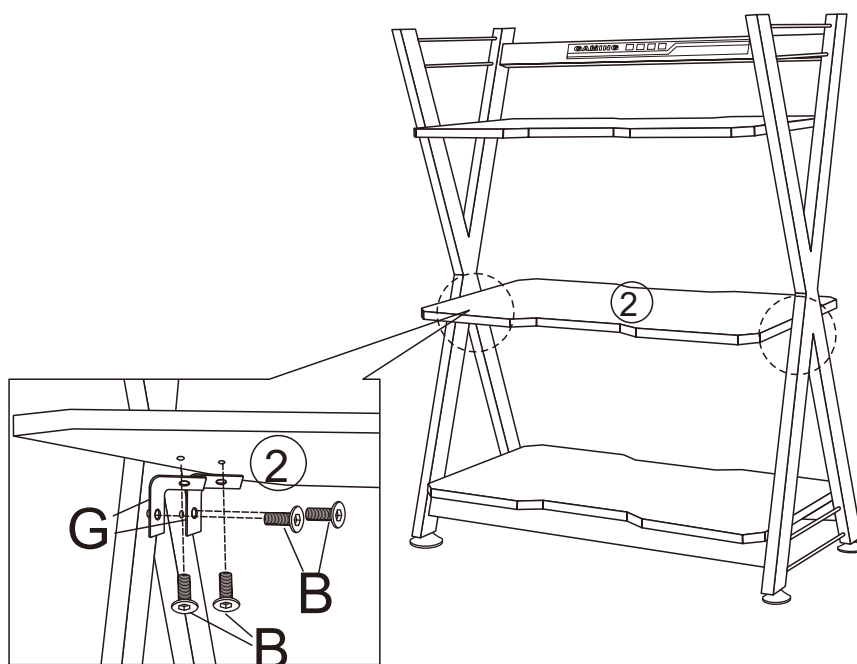


M6X12mm

G*4



J



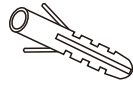
5

D*2



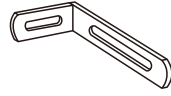
ST4X25mm
2pcs

E*2



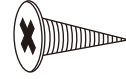
2pcs

F*2

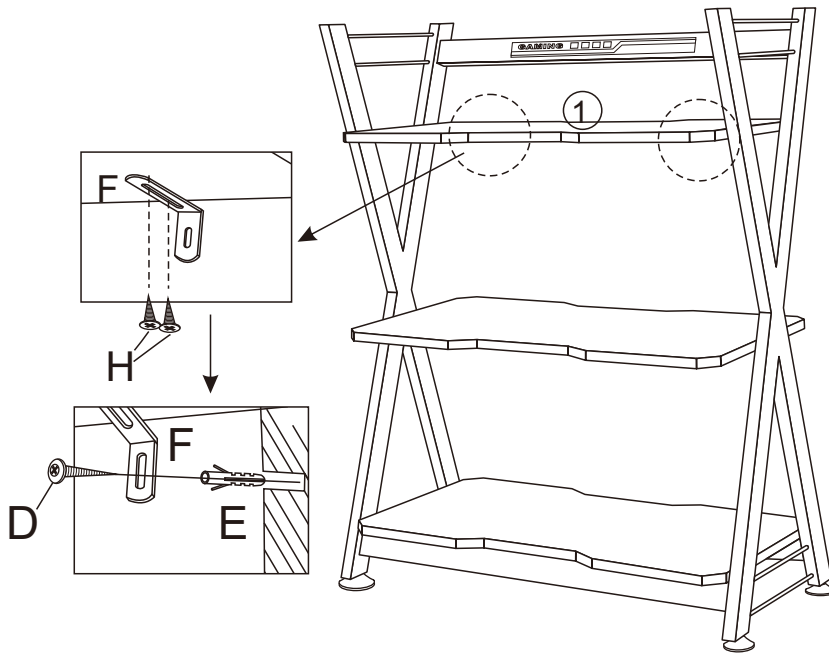
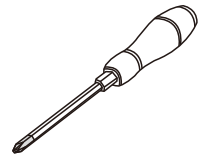


2pcs

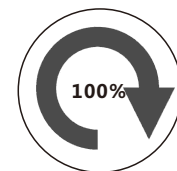
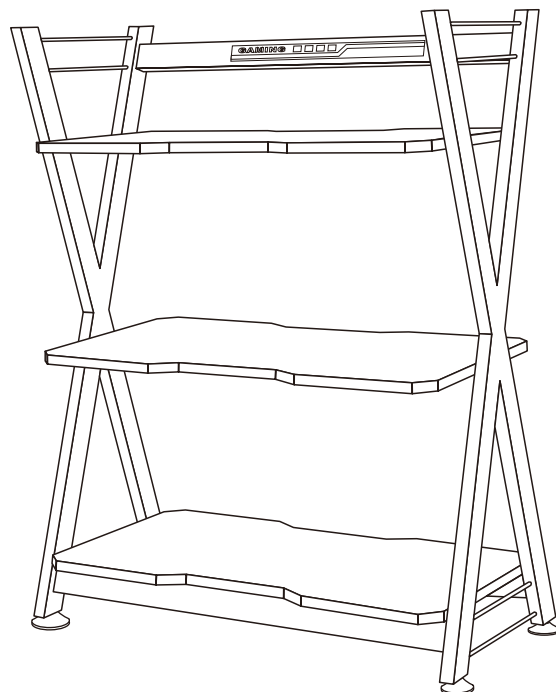
H*4



ST3.5X14mm
4pcs



6 Finish



ALL SCREW

Maintenance and Repair

To protect your furniture, we recommend:

- 1. Avoid placing furniture in direct sunlight**
- 2. Keep away the products from children while assembling. Watch out for children climbing on the products.**
- 3. Clean the products with clean rag.**
- 4. If the product is stained with oil, please wipe with general detergent.**
- 5. Clean the product with clean rag that is not easy to depilate, screw dry and wipe with water.**
- 6. Please handle the product with care.**