

# INSTRUCTION MANUAL

## SINGLE SERVE COFFEE MAKER



ITEM NO.: CM3729-BLACK

MODEL NO.:CM9429D-UL

Thank you for purchasing this product! If you have questions about the product such as missing parts,damaged products,product assembling and operation etc.please contact us via Amazon Message or customer service phone:213-4467172 or 661-4358826.

# **IMPORTANT SAFEGUARDS**

**When using electrical appliances, basic safety precautions should always be followed to reduce the risk of fire, electric shock, and/or injury to persons, including the following:**

1. Read all instructions.
2. This appliance is not intended for use by persons (including children) with reduced physical, sensory, or mental capabilities, or lack of experience and knowledge, unless they are closely supervised and instructed concerning use of the appliance by a person responsible for their safety.
3. Close supervision is necessary when any appliance is used by or near children. Children should be supervised to ensure that they do not play with the appliance.
4. Do not touch hot surfaces. Use handles or knobs. Care must be taken, as burns can occur from touching hot parts or from spilled, hot liquid.
5. To protect against electric shock, do not place cord, plug, or coffee maker in water or other liquid.
6. Unplug from outlet when the coffee maker is not in use and before cleaning. Allow to cool before putting on or taking off parts and before cleaning the appliance.
7. Coffee maker must be operated on a flat surface away from the edge of counter to prevent accidental tipping.
8. Do not operate any appliance with a damaged supply cord or plug, or after the appliance malfunctions or has been dropped or damaged in any manner. Supply cord replacement and repairs must be conducted by the manufacturer, its service agent, or similarly qualified persons in order to avoid a hazard.

Call the provided customer service number for information on examination, repair, or adjustment.

9. The use of accessory attachments not recommended by the appliance manufacturer may cause injuries.

10. Do not use outdoors.

11. Do not let cord hang over edge of table or counter or touch hot surfaces, including stove.

12. Do not place on or near a hot gas or electric burner, or in a heated oven.

13. Avoid contacting moving parts.

14. Be certain lid is securely in place during frothing or warming.

15. To disconnect appliance, press control button(s) until power indicator light is no longer glowing and then remove plug from wall outlet.

16. To unplug, grasp the plug and pull from the outlet. Never pull from the power cord.

17. Do not place coffee maker in a cabinet when in use.

18. **⚠ WARNING!** To avoid hot water spraying from the piercing needle, do not lift the lid during the brew process.

19. Do not use appliance for other than intended use.

20. **⚠ WARNING!** To reduce the risk of fire or electric shock, do not remove the bottom cover of the coffee maker. There are no user-serviceable parts inside. Repair should be done by authorized service personnel only.

21. **⚠ CAUTION!** Cut Hazard: Removable single-serve pod holder contains a sharp needle. Use caution when handling.

22. **⚠ CAUTION!** Cut Hazard: Piercing needle is sharp. Use caution when cleaning.

23.To reduce the risk of fire, do not store anything directly on top of the appliance surface when the appliance is in operation.

**⚠ CAUTION:** There are two sharp needles that puncture the capsules.

One is located inside the capsule holder and the other is located on the top underside of the holder compartment. To avoid risk of injury do not place fingers inside either parts. Also exercise caution when cleaning the parts.

**⚠ CAUTION:** There are boiling water in the front tab lid section during the brew process.

Do not open the lid at any time for risk of injury.

24. Only use capsules intended for this appliance. If the capsule does not fit,do not fores the capsule into the appliance.

25. **⚠ WARNING:** To avoid the risk of injury, do not open the brew chamber during the brew process.

# **SAVE THESE INSTRUCTIONS**

## **HOUSEHOLD USE ONLY**

### **NOTES ON THE PLUG:**

This appliance has a polarized plug (one blade is wider than the other). To reduce the risk of electric shock, this plug will fit in a polarized outlet only one way. If the plug does not fit fully into the outlet, reverse the plug. If it still does not fit, contact a qualified electrician. Do not modify the plug in any way.

### **NOTES ON THE CORD**

- a) A short power-supply cord (or detachable power-supply cord) is provided to reduce risks resulting from becoming entangled in or tripping over a longer cord.
- b) Longer detachable power-supply cords or extension cords are available and may be used if care is exercised in their use.
- c) If a long detachable power-supply cord or extension cord is used:
  - 1) The marked electrical rating of the detachable power-supply cord or extension cord should be at least as great as the electrical rating of the appliance;
  - 2) If the appliance is of the grounded type, the extension cord should be a grounding- type 3-wire cord;
  - 3) The longer cord should be arranged so that it will not drape over the counter top or table top where it can be pulled on by children or tripped over.

## **PLASTICIZER WARNING**

**⚠ CAUTION:** To prevent plasticizers from migrating from the finish of the counter top or table top or other furniture, place NON-PLASTIC coasters or place mats between the appliance and the finish of the counter top or table top. Failure to do so may cause the finish to darken; permanent blemishes may occur or stains can appear.

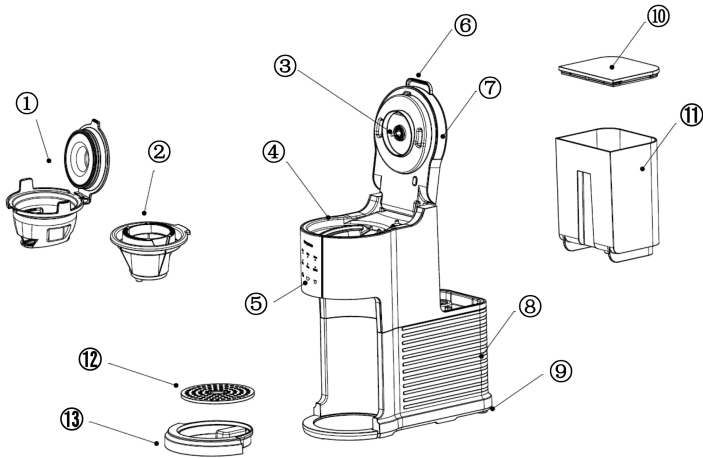
## **ELECTRIC POWER**

If the electrical circuit is overloaded with other appliances, your appliance may not operate properly. It should be operated on a separate electrical circuit from other appliances.

## **⚠ WARNING:**

TO REDUCE THE RISK OF FIRE OR ELECTRICAL SHOCK,DO NOT REMOVE THIS COVER.NO USER SERVICEABLE PARTS INSIDE. REPAIR SHOULD BE DONE BY AUTHORIZED SERVICE PERSONNEL ONLY.

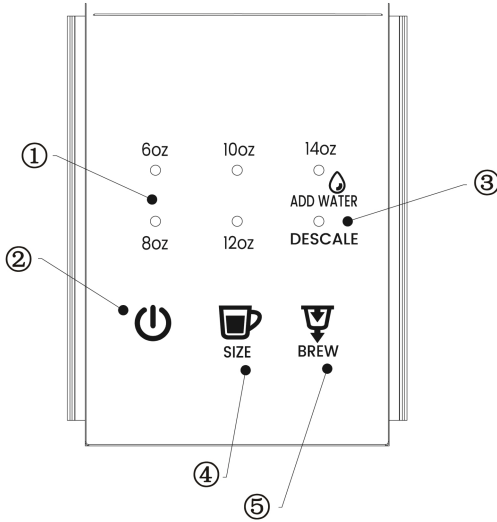
# NOW YOUR COFFEE MAKER



- ① Ground Coffee Holder
- ② Capsule Holder
- ③ Water outlet pin
- ④ Holder compartment
- ⑤ Control panel
- ⑥ Front Lid Tab
- ⑦ Holder compartment lid

- ⑧ Main housing
- ⑨ Bottom Cover
- ⑩ Water tank cover
- ⑪ Water tank
- ⑫ Drip tray cover
- ⑬ Drip tray

# CONTROL PANEL



I

- ① **Size Indicator Light ( White )**
- ② **Power Button ( White )**
- ③ **Add Water ( Blue )**  
**Descale ( White )**
- ④ **Size Button ( White )**
- ⑤ **Brew Button ( White )**

## BEFORE USING FOR THE FIRST TIME

**⚠ CAUTION:** To protect against electrical shock, do not immerse the Coffee Maker or allow the power cord to come into contact with water or other liquids.

Remove all packing material and labels from the inside and outside of the Coffee Maker. Place the unit on a flat, clean surface. Make sure to remove both holder from the inner packaging.

1. Before use, thoroughly clean both holder with warm soapy water.
2. Clean the inside of the unit, it is recommended to brew a full tank of water, which corresponds to brew 3 to 4 tall cups.
3. Grasp the removal water tank using the designated grips. Lift the water tank up and remove it from the base of the unit.
4. Remove the lid and fill the water tank to the MAX indicator line with cold water.

**NOTE:** Never fill the water tank past the MAX indicator line and ensure water level is above the MIN indicator line.

5. Put the lid back and put the water tank back into place. Place down firmly to make sure it is securely in place.
6. Select the desired height for the drip tray, depending on the size of the cup, mug, or tumbler being used.
7. Place the empty cup, mug, or tumbler in position on the drip tray cover.

**NOTE:** Do not add any accessories for this initial cleaning.


## MAKING COFFEE

1. Press the Power button, the product is powered on and the indicator light is on.
2. To select the brew size (6 oz, 8 oz, 10 oz, 12 oz, or 14 oz), press the size button until the indicator light illuminates the desired size.
3. Press Ground Coffee (BREW) button, the machine starts to work.
4. At the end of the cycle, the Coffee Maker enters standby mode.

**IMPORTANT:** Repeat this process twice to thoroughly clean the machine before using for the first time.

5. Unplug the Coffee Maker when not in use.

## THE CAPSULE HOLDER

 **WARNING:** Before brewing, it is recommended the water tank be filled at least to the MIN indicator line. But never fill the water tank past the MAX indicator line.

To avoid damage to your Coffee Maker, never operate your Single Serve Coffee Maker when the water tank is empty.


1. Grasp the removal water tank using the designated grips. Lift the water tank up and remove it from the base of the unit.
2. Remove the lid and fill the water tank to the MAX indicator line with cold water.

If the Add water Blue light on the control panel flashes, it indicates that there is no water in the water tank, please add room temperature water into the water tank, then re-start to work

**IMPORTANT: For optimal flavor, distilled water is preferred.**

3. Put the lid back and put the water tank back into place.
4. Place down firmly to make sure it is securely in place.
5. Select the desired height for the drip tray, depending on the size of the cup, mug, or tumbler being used.
6. Place the empty cup, mug, or tumbler in position on the drip tray cover.
7. Pull the holder compartment lid's front lid tab up to unlock and lift the lid.
8. Choose the capsule holder. Add the capsule of your choice into the holder. Press down on the capsule until it is flush with the holder. You will hear a pierce as the needle penetrates the capsule.
9. place the capsule holder into the holder compartment.
10. Press the holder compartment lid down firmly. An audible click can be heard as the lid is locked firmly into position, and the top of the capsule will be punctured.
11. Plug the Coffee Maker into a 120V AC electrical wall outlet.
12. Press the Power button, the product is powered on and the indicator light is on.
13. To select the brew size (6 oz., 8 oz., 10 oz., 12 oz., or 14 oz.), press the Size button until the indicator light illuminates the desired size.
14. Press Ground Coffee (BREW) button, the machine starts to work.
15. The Coffee Maker begins heating the water.
16. The pump will then activate and coffee will begin to stream through the nozzle.

17. To interrupt the brewing cycle at any time, press the brew button. Then remove the plug from the wall outlet.
18. At the end of the cycle, the Coffee Maker enter standby mode.
19. Allow unit to cool before removing the used capsule to discard.
20. Unplug the Coffee Maker when not in use.

 **CAUTION:** There are two sharp needles that puncture the capsules. One is located inside the capsule holder and the other is located on the top underside of the holder compartment. To avoid risk of injury, do not place fingers inside either parts. Also exercise caution when cleaning the parts.

## USING THE GROUND COFFEE HOLDER

The ground coffee holder allows you to create your own favorite blend of coffee. Personalize your blends by adding a dash of cinnamon, orange peel, cardamom, or vanilla bean for flavoring, to name a few options.

**NOTE: For best results, use medium ground coffee.**

**⚠ WARNING:** Before brewing, it is recommended the water tank be filled at least to the MIN indicator line but never fill the water tank past the MAX indicator line. To avoid damage to your Coffee Maker, never operate your Single Serve Coffee Maker when the water tank is empty.

1. Grasp the removal water tank using the designated grips. Lift the water tank up and remove it from the base of the unit.
2. Remove the lid and fill the water tank to the MAX indicator line with cold water. If the Add water blue light on the control panel flashes, it indicates that there is no water in the water tank, please add room temperature water into the water tank, then re-start to work.

**IMPORTANT:** For optimal flavor, distilled water is preferred.

3. Put the lid back and put the water tank back into place. Place down firmly to make sure it is securely in place.
4. Select the desired height for the drip tray, depending on the size of the cup, mug, or tumbler being used.
5. Place the empty cup, mug, or tumbler in position on the drip tray cover.
6. Pull the holder compartment lid's front lid tab up to unlock and lift the lid.
7. Choose the ground coffee holder and fill it in with drip or

regular grind coffee. It is recommended to use 1 level tablespoon of grind coffee for each cup of coffee desired (1 cup = 5oz. of coffee). For stronger or milder coffee, adjust amount of coffee to suit your taste. DO NOT EXCEED the MAX fill line.

Selection of the ratio of coffee powder to water:

Water	Grounds
6oz	0.35oz(10g)
8oz	0.4oz(12g)
10oz	0.5oz(15g)
12oz	0.6oz(18g)
14oz	0.7oz(20g)

8. Press the holder compartment's lid down firmly. An audible click can be heard as the lid is locked firmly into position.
9. Plug the Coffee Maker into a 120V AC electrical wall outlet.
10. Press the Power button, the product is powered on and the indicator light is on.
11. To select the brew size (10 oz., 12 oz., or 14 oz.), press the Size button until the indicator light illuminates the desired size.
12. Press Ground Coffee (BREW) button, the machine starts to work. The white BREW light will illuminate.
13. The Coffee Maker begins heating the water.
14. When the water has reached the optimum temperature, the pump will then activate and coffee will begin to stream through the nozzle.
15. To interrupt the brewing cycle at any time, press the Ground Coffee button. Then remove the plug from the wall outlet.

16. At the end of the cycle, the Coffee Maker enter standby mode.

17. Unplug the Coffee Maker when not in use.

## USER MAINTENANCE INSTRUCTIONS

This appliance requires little maintenance. It contains no user-serviceable parts. Any servicing requiring disassembly other than cleaning must be performed by a qualified appliance repair technician.

## CARE & CLEANING INSTRUCTIONS

1. Always make sure Coffee Maker is unplugged and the drip tray and cover are cool before removing from the base.
2. Rinse drip tray and cover and replace in the Coffee Maker base.
3. Press the holder compartment's front lid to unlock and lift the lid.
4. Remove the used capsule from the capsule holder and discard. Rinse the capsule holder in warm water before each use.
5. When using the reusable ground coffee holder, discard the used coffee. Wash holder in warm, soapy water, to remove all coffee grinds. Rinse well.

**NOTE: Both the capsule and the ground coffee holder are top rack dishwasher safe.**

6. Use a damp paper towel or sponge to completely remove any residue from the holder compartment.
7. Wipe the exterior of the Coffee Maker with a damp cloth to remove superficial stains. For stubborn stains, use a nylon or plastic pad with a non-abrasive cleanser. Do not use metal scouring pads or abrasive cleansers.

## DESCALING INSTRUCTIONS

Special cleaning of your Coffee Maker is recommended at least twice a year, depending on frequency of use and quality of water used in the unit. If water in your area is especially hard, the following cleaning procedure should be performed more often, since minerals in water can detract from the flavor of the coffee and possibly lengthen brew time.

**NOTE:** If the DESCALE white light on the control panel flashes, it means must be cleaned.

1. Fill water tank with 1 part white vinegar to 3 parts cold water do not add any accessories.
2. Place an empty tumbler in position on the drip tray cover.
3. Press and hold the Size Button and Ground Coffee (BREW) button at the same time to start the product and start cleaning.
4. the CLEAN white indicator is always on, and the Ground Coffee (BREW) button white indicator is always off.
5. The heater will starts to heat up. After heating, it will be pre-soaked for a period of time and then the hot water will be pumped out to complete a cleaning procedure.
6. Repeat steps 3 to 6 until the water tank is empty.
7. Following the same procedure, continue to run clean water through the Coffee Maker three times.
8. Unplug the Coffee Maker when not in use.
9. Dry parts thoroughly. Wipe the Coffee Maker's exterior with a dry cloth.

## **STORING INSTRUCTIONS**

1. Unplug unit and allow to cool.
2. Never wrap cord tightly around the appliance. Do not put any stress on the cord where it enters the unit, as it could cause the cord to fray and break.
3. Store one clean adaptor in the Coffee Maker's holder compartment.
4. Store the other adapter with the unit.
5. Store the Coffee Maker in a cool, dry place.
6. Never store unit while it is still plugged in.

Thank you for purchasing this product! If you have any questions about the product, such as missing parts, damaged products, product assembling, and operation, please contact us via **Amazon Message** or customer service number: **213-4467172 or 661-4358826**

**IMPORTANT**

Please call our customer service department for any consulting:

**213-4467172**

**661-4358826**

(8:30am - 5:30pm P.S.T.)

DATED PROOF OF PURCHASE IS REQUIRED FOR WARRANTY SERVICE.

**AVIS**

Veillez appeler le service à la clientèle pour toutes questions au:

**213-4467172**

**661-4358826**

(8:30am - 5:30pm P.S.T.)

PREUVE D'ACHAT ORIGINALE REQUISE POUR SERVICE DE GARANTIE.

**IMPORTANTE**

Sólo hay que llamar nuestro departamento de servicio al cliente en caso de tener preguntas o inquietudes:

**213-4467172**

**661-4358826**

(8:30am - 5:30pm P.S.T.)

SE REQUIERE PRUEBA DE COMPRA CON FECHA PARA SERVICIO BAJO GARANTÍA.

**Address: ROWAN ELECTRIC APPLIANCE LLC**

**28407 Ascent Way, Santa Clarita, CA 91350**

**Phone: 213-4467172 or 661-4358826**

